



US00D749763S

(12) **United States Design Patent**
Sa et al.

(10) **Patent No.:** **US D749,763 S**

(45) **Date of Patent:** **** Feb. 16, 2016**

(54) **HEADLAMP FOR AN AUTOMOBILE**

(71) Applicant: **Kia Motors Corporation**, Seoul (KR)

(72) Inventors: **Jung Woo Sa**, Gyeonggi-do (KR); **Yun Seok Oh**, Gyeonggi-do (KR)

(73) Assignee: **Kia Motors Corporation**, Seoul (KR)

(**) Term: **14 Years**

(21) Appl. No.: **29/512,184**

(22) Filed: **Dec. 17, 2014**

(30) **Foreign Application Priority Data**

Jul. 4, 2014 (KR) 30-2014-0032836

(51) **LOC (10) Cl.** **26-06**

(52) **U.S. Cl.**
USPC **D26/28**

(58) **Field of Classification Search**
USPC D26/28-36; 362/459-468, 475-478,
362/485-487

CPC F21S 48/00; F21S 48/10; F21S 48/115;
F21S 48/225; F21S 48/1233; F21S 48/1266;
F21S 48/1388; F21S 48/2268; F21V 21/04
See application file for complete search history.

(56) **References Cited**

U.S. PATENT DOCUMENTS

D538,956 S * 3/2007 Ishii D26/28
D544,614 S * 6/2007 Markefka D26/28

D561,358 S * 2/2008 Tachibana D26/28
D570,007 S * 5/2008 Hsu D26/28
D582,587 S * 12/2008 Yang D26/28
D593,232 S * 5/2009 Koman D26/28
D635,694 S * 4/2011 Yang D26/28

* cited by examiner

Primary Examiner — Marcus Jackson

(74) *Attorney, Agent, or Firm* — Mintz Levin Cohn Ferris
Glovsky and Popeo, P.C.; Kongsik Kim

(57) **CLAIM**

The ornamental design for a headlamp for an automobile, as shown and described.

DESCRIPTION

FIG. 1 is a perspective view of a headlamp for an automobile according to the present invention.

FIG. 2 is a front view of the headlamp for an automobile of FIG. 1.

FIG. 3 is a rear view of the headlamp for an automobile of FIG. 1.

FIG. 4 is a left side view of the headlamp for an automobile of FIG. 1.

FIG. 5 is a right side view of the headlamp for an automobile of FIG. 1.

FIG. 6 is a top view of the headlamp for an automobile of FIG. 1; and,

FIG. 7 is a bottom view of the headlamp for an automobile of FIG. 1.

1 Claim, 7 Drawing Sheets

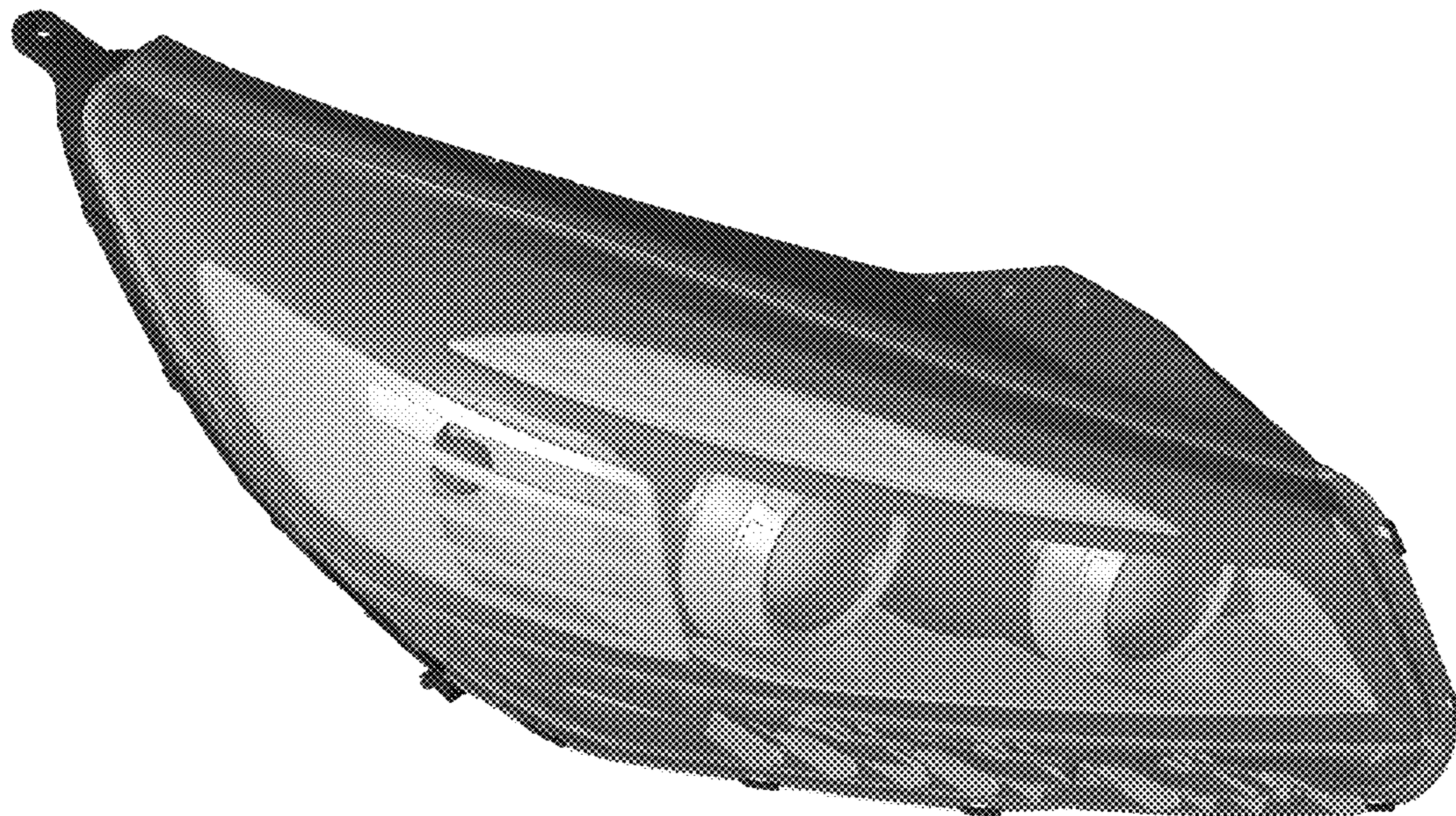


FIG. 1

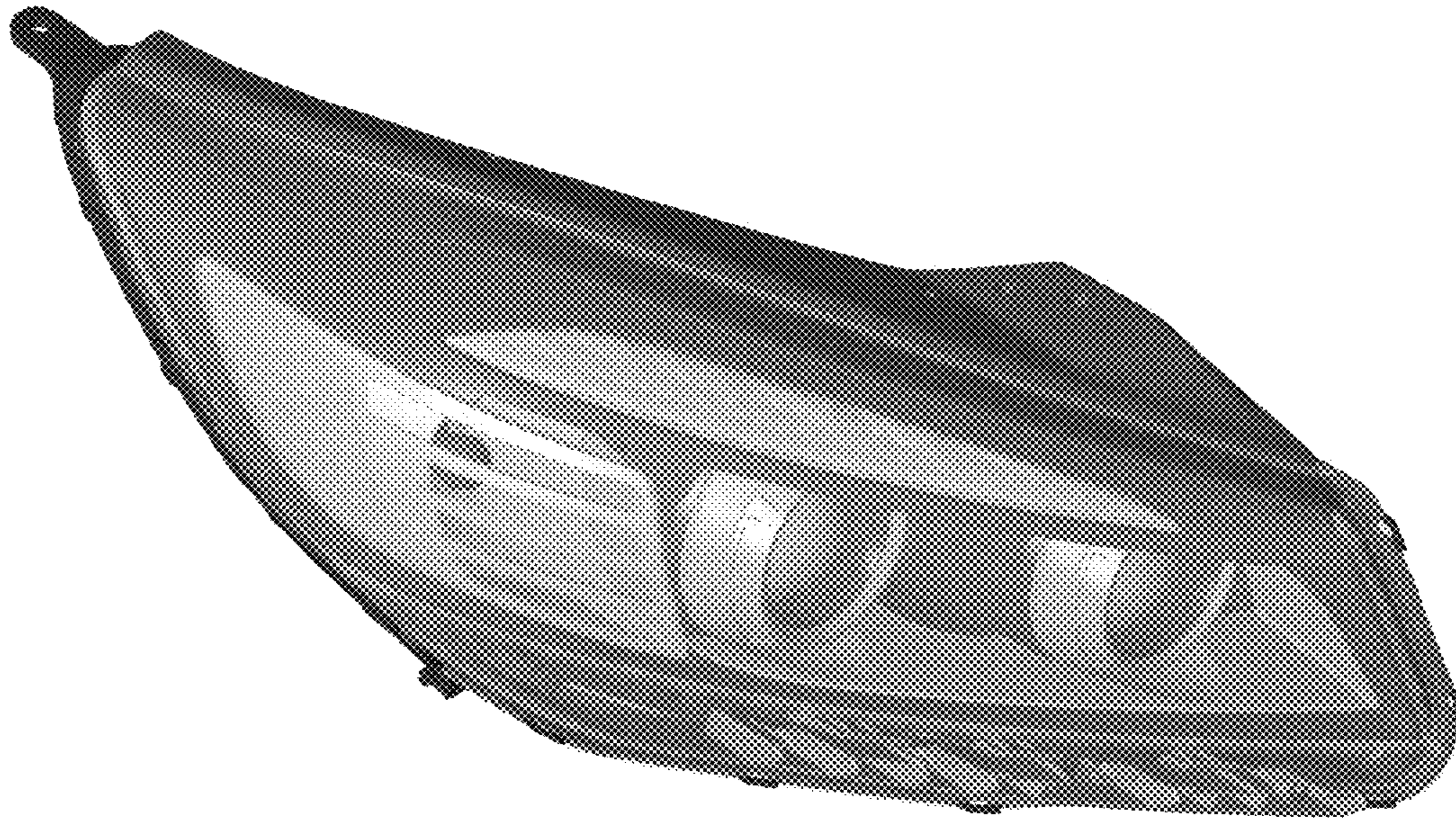


FIG. 2



FIG. 3

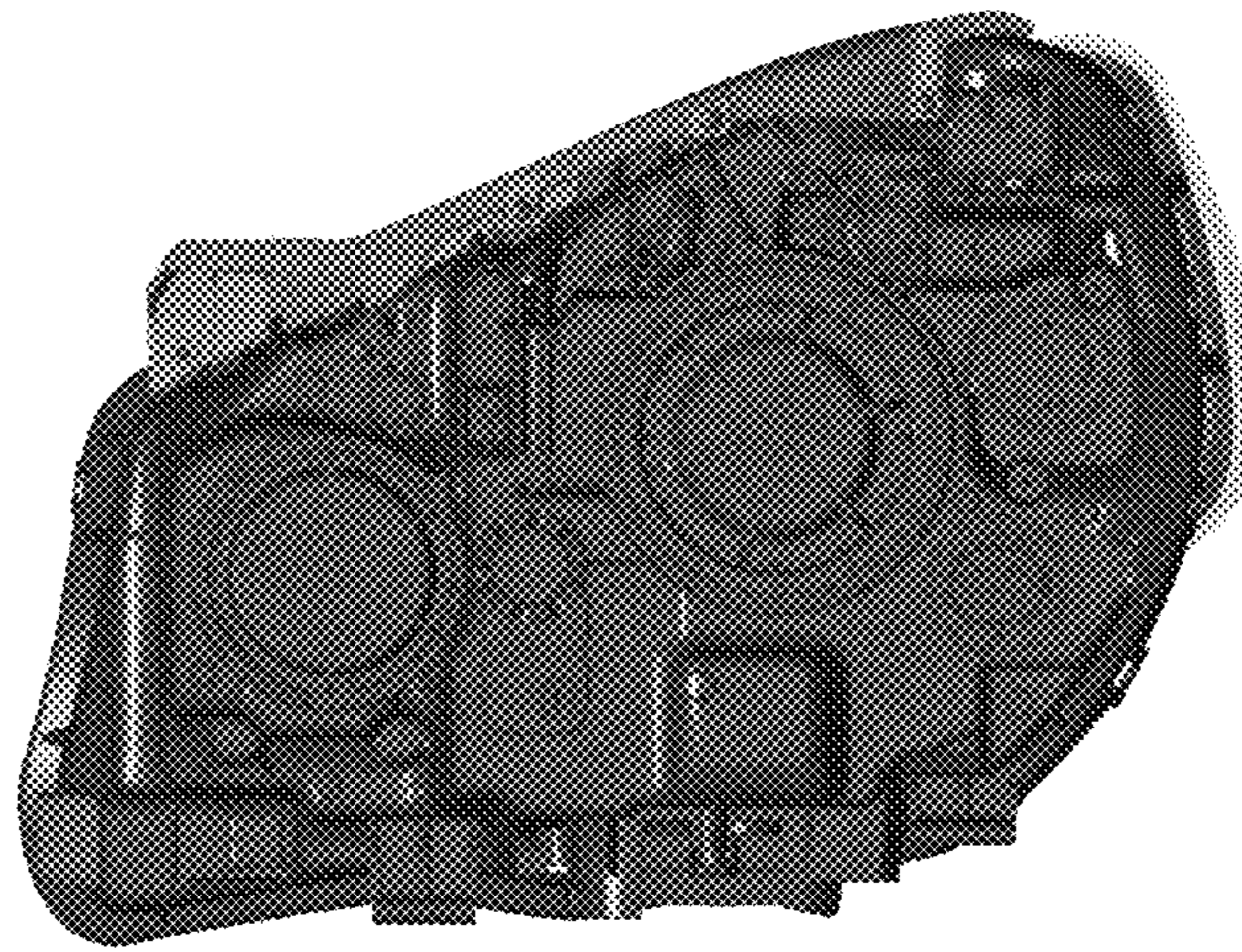


FIG. 4

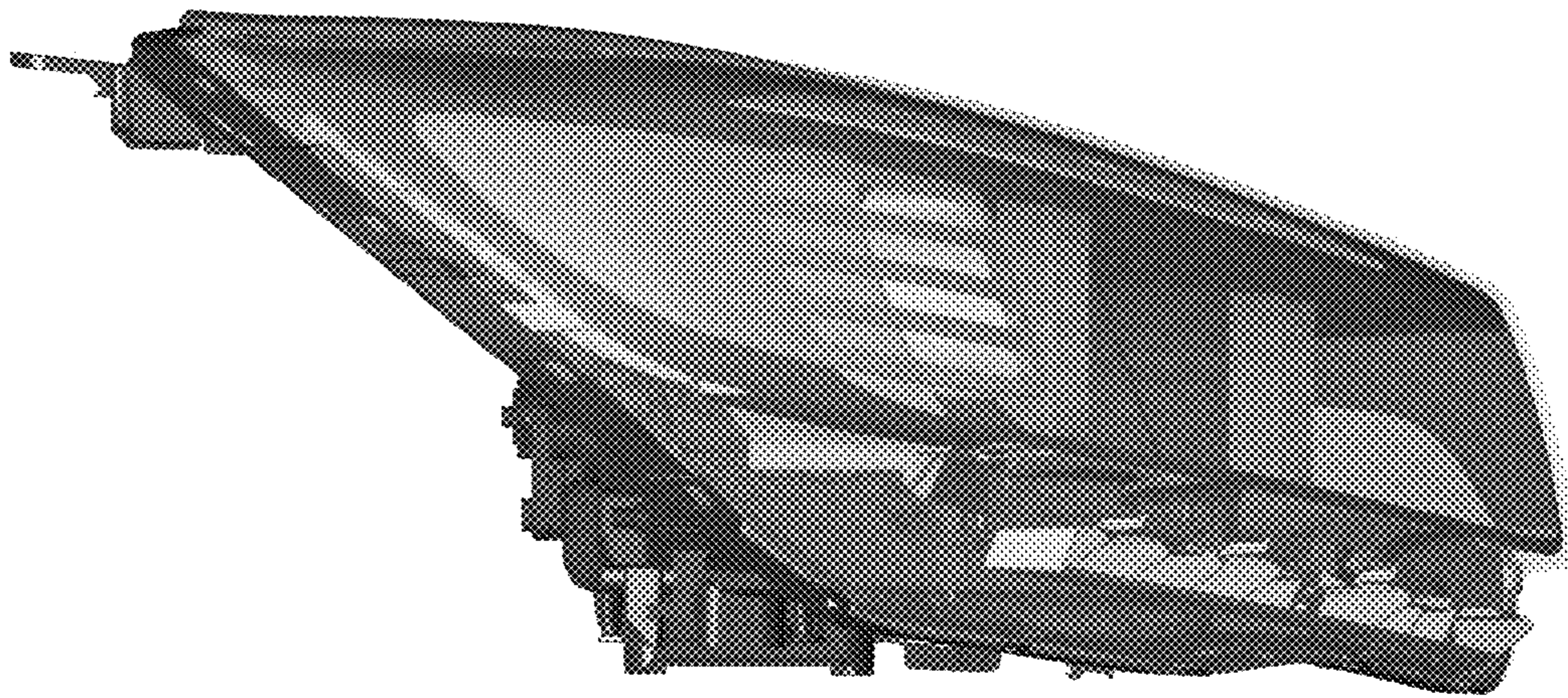


FIG. 5

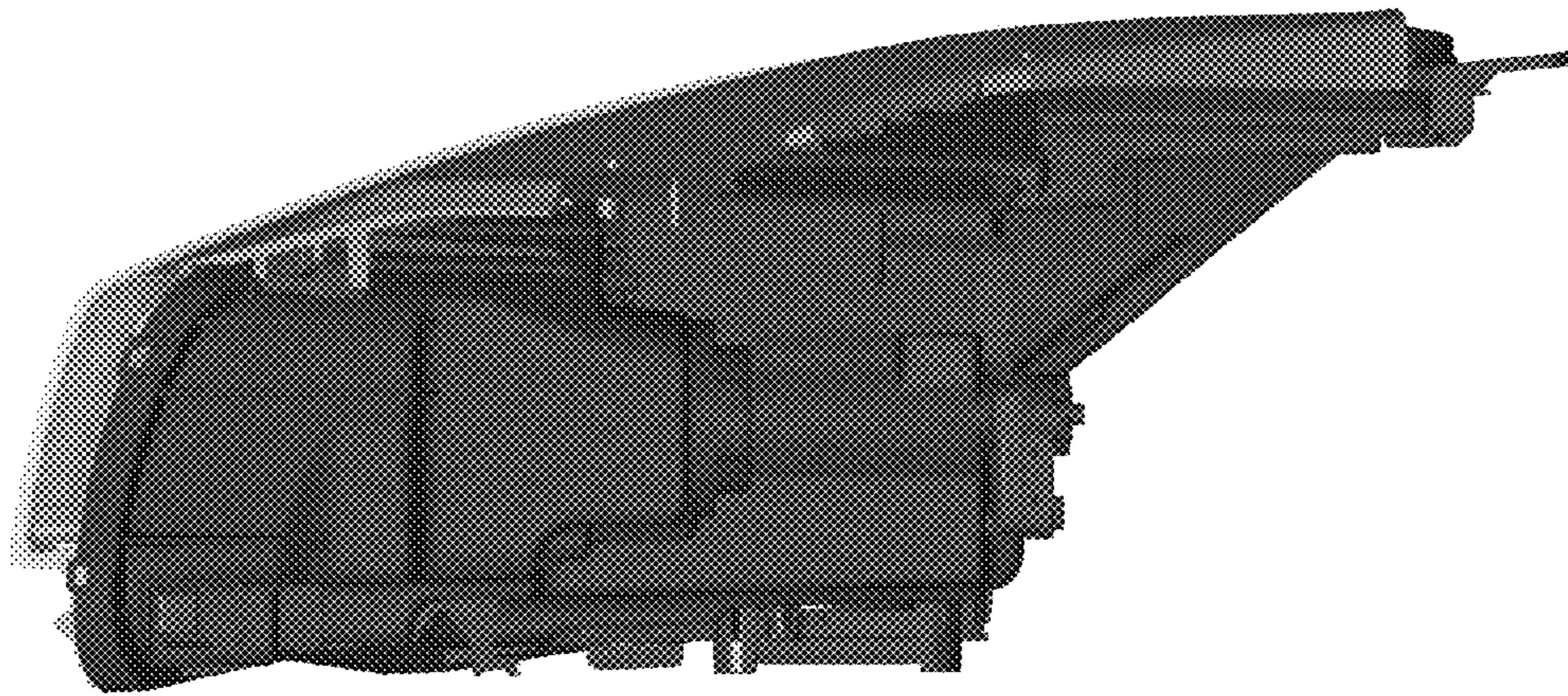


FIG. 6

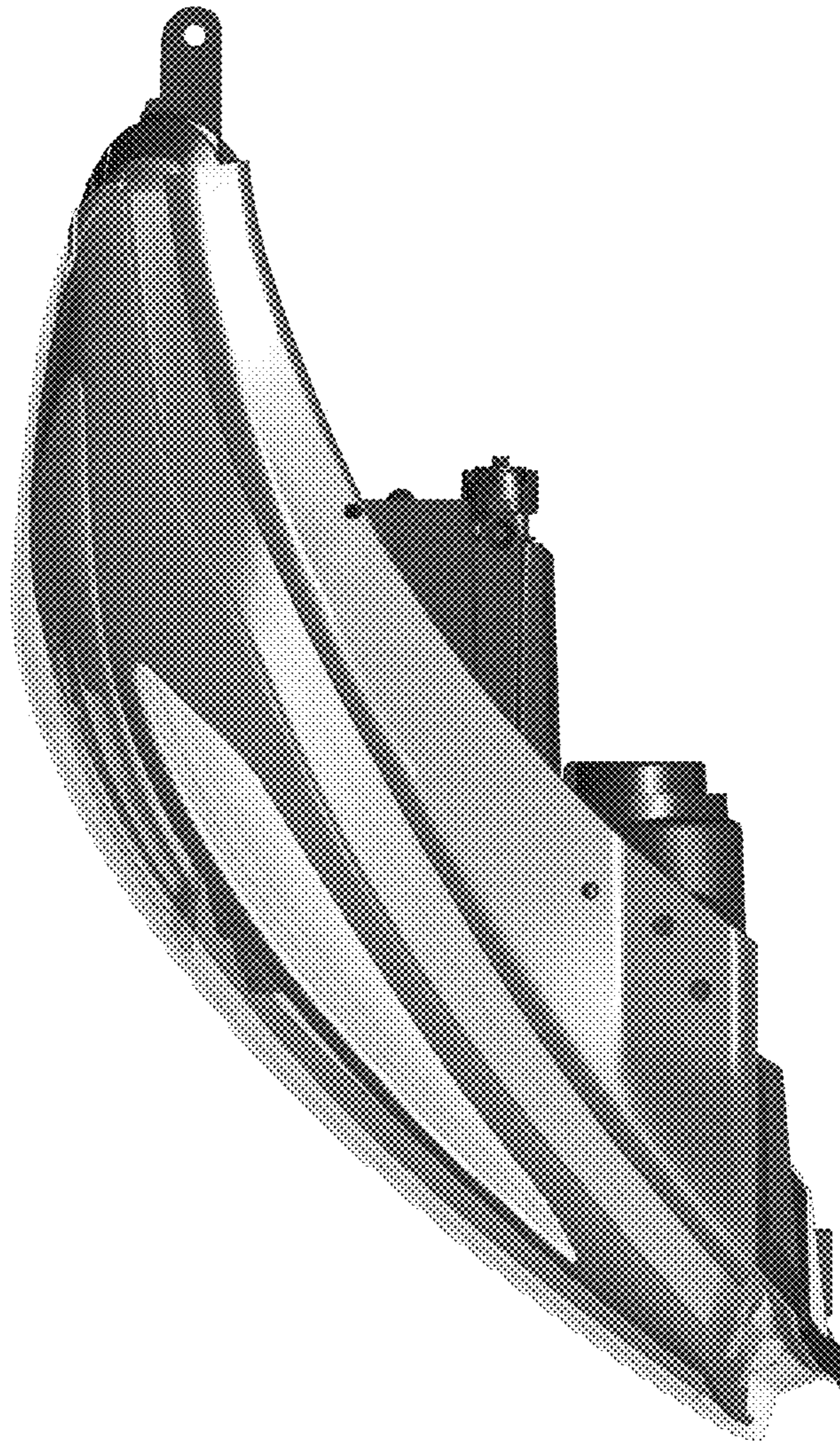


FIG. 7

