



US00D749759S

(12) **United States Design Patent**  
**Beaven**

(10) **Patent No.:** **US D749,759 S**

(45) **Date of Patent:** **\*\* Feb. 16, 2016**

(54) **VEHICLE COMPONENT**

(71) Applicant: **Jaguar Land Rover Limited**, Coventry (GB)

(72) Inventor: **Matthew Beaven**, Coventry (GB)

(73) Assignee: **Jaguar Land Rover Limited** (GB)

(\*\*) Term: **14 Years**

(21) Appl. No.: **29/483,829**

(22) Filed: **Mar. 3, 2014**

(30) **Foreign Application Priority Data**

Sep. 2, 2013 (EM) ..... 002301242

Sep. 2, 2013 (EM) ..... 002301325

(51) **LOC (10) Cl.** ..... **26-06**

(52) **U.S. Cl.**  
USPC ..... **D26/28**

(58) **Field of Classification Search**

USPC ..... D26/28-36, 120, 139; D12/181

CPC ..... F21S 48/10; F21S 48/23; F21S 48/115;

F21S 48/145; F21S 48/1109; F21S 48/1168;

F21S 48/1186; B60Q 1/2607; B60Q 1/28

See application file for complete search history.

(56) **References Cited**

**U.S. PATENT DOCUMENTS**

D665,109 S \* 8/2012 Platto et al. .... D26/28

D675,352 S \* 1/2013 Akojima ..... D26/28

D676,168 S *	2/2013	Lai	.....	D26/28
D678,569 S *	3/2013	Brendel	.....	D26/28
D689,222 S *	9/2013	Lai	.....	D26/28
D707,861 S *	6/2014	Lai	.....	D26/28
D708,772 S *	7/2014	Lai	.....	D26/28
D710,523 S *	8/2014	Kaneda	.....	D26/28
D713,572 S *	9/2014	Campbell et al.	.....	D26/28
D716,978 S *	11/2014	Selvaag	.....	D26/28
D717,976 S *	11/2014	Gueler et al.	.....	D26/28
D720,872 S *	1/2015	Lim et al.	.....	D26/28
D728,137 S *	4/2015	Ha et al.	.....	D26/28

\* cited by examiner

*Primary Examiner* — Clare E Heflin

(74) *Attorney, Agent, or Firm* — Fishman Stewart Yamaguchi PLLC

(57) **CLAIM**

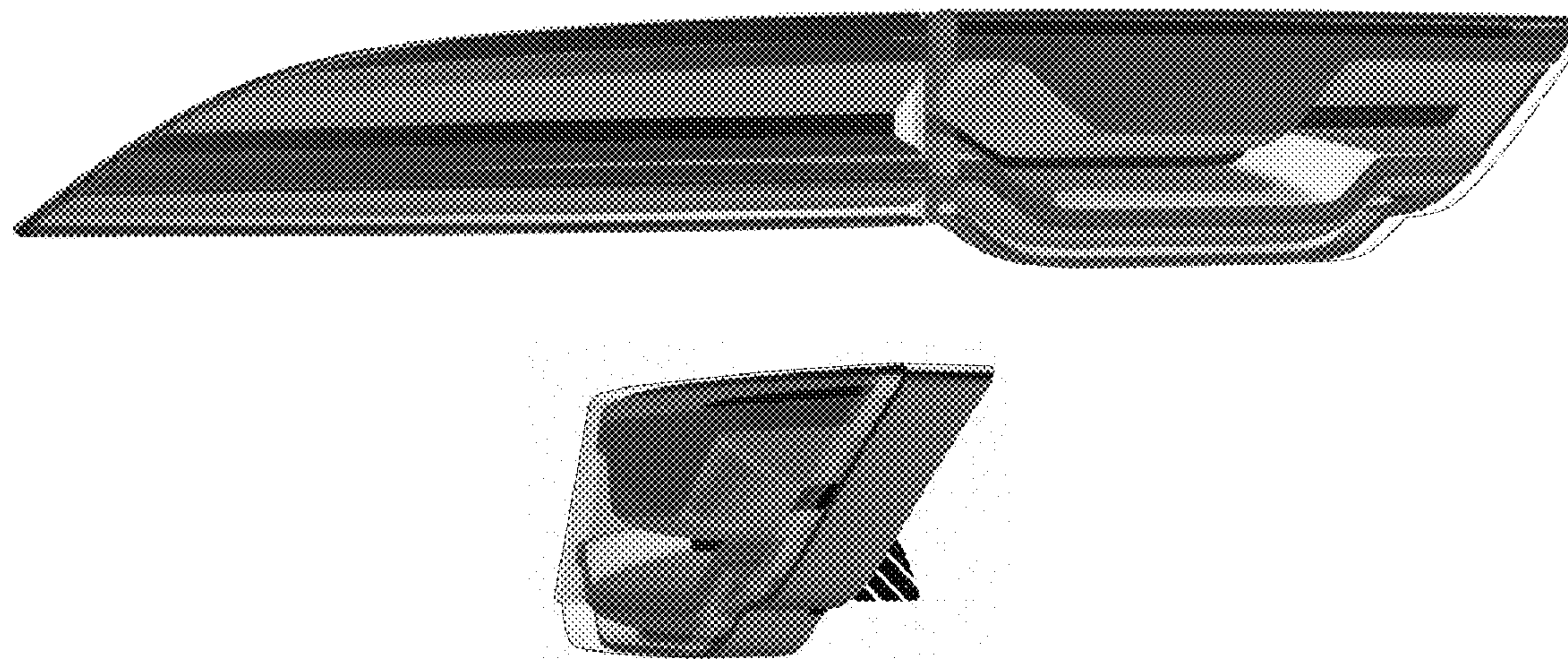
The ornamental design for a vehicle component, as shown and described.

**DESCRIPTION**

FIG. 1 is a front a perspective view of a vehicle component; FIG. 2 is a rear perspective view of a vehicle component; FIG. 3 is a front view of a vehicle component; FIG. 4 is a rear view of a vehicle component; FIG. 5 is an outboard side view of a vehicle component; FIG. 6 is an inboard side view of a vehicle component; and, FIG. 7 is a top view of a vehicle component.

Portions of FIGS. 1-7 that are shown in diagonal lines are for illustrative purposes only and form no part of the claimed design.

**1 Claim, 3 Drawing Sheets**



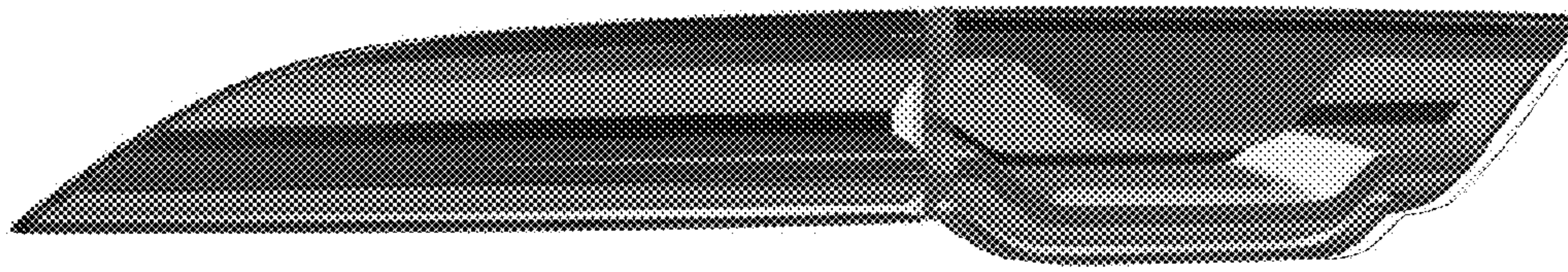


FIG. 1

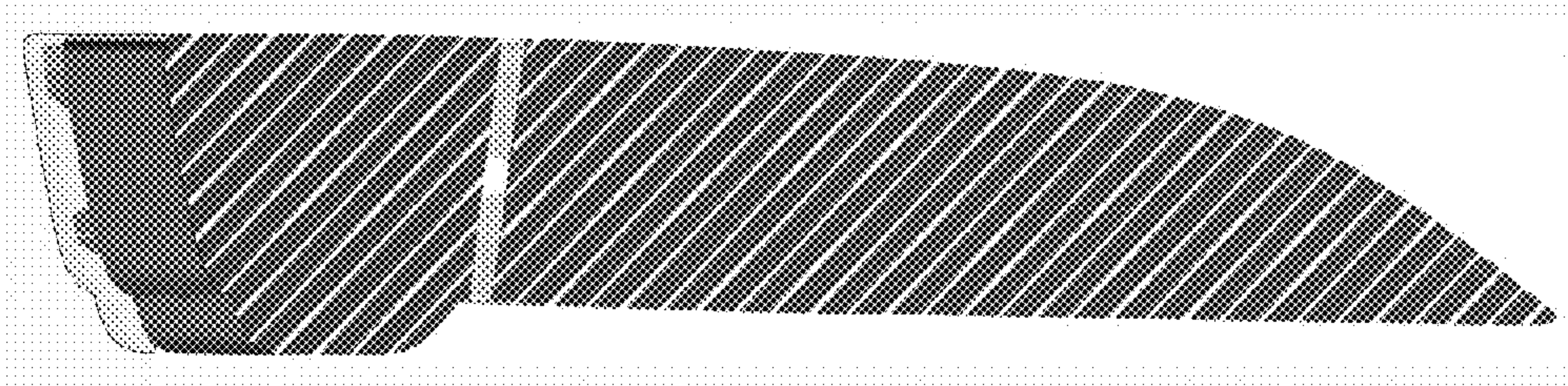


FIG. 2



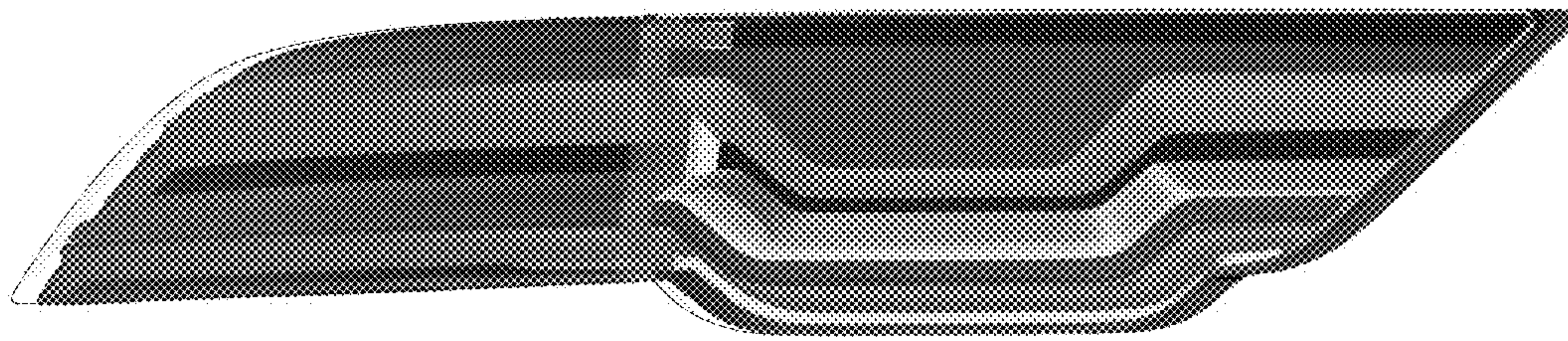


FIG. 3

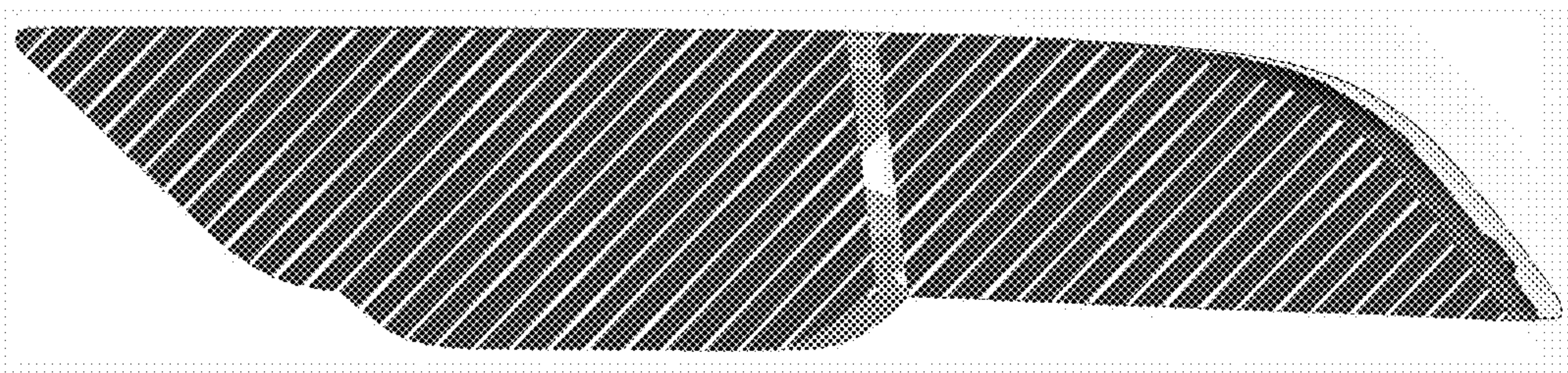


FIG. 4

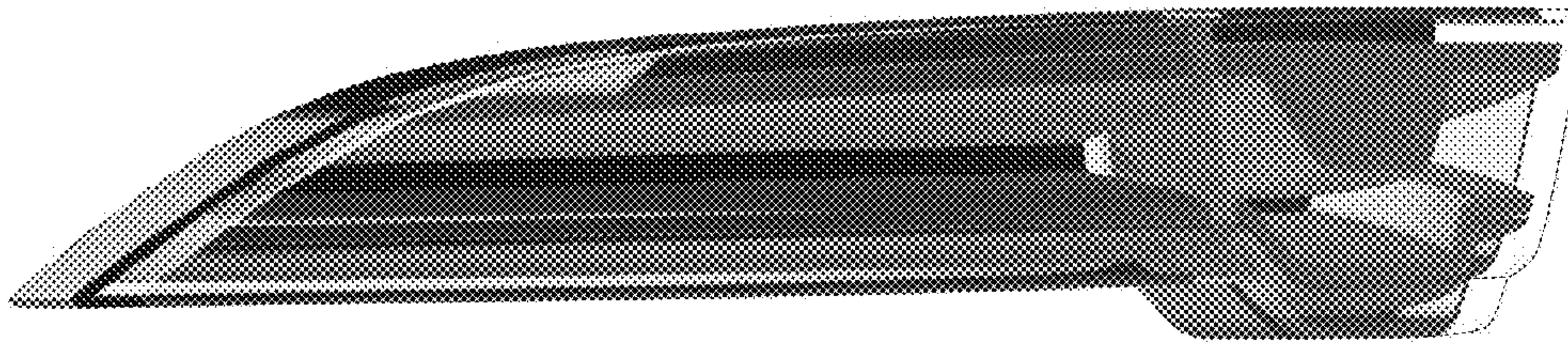


FIG. 5

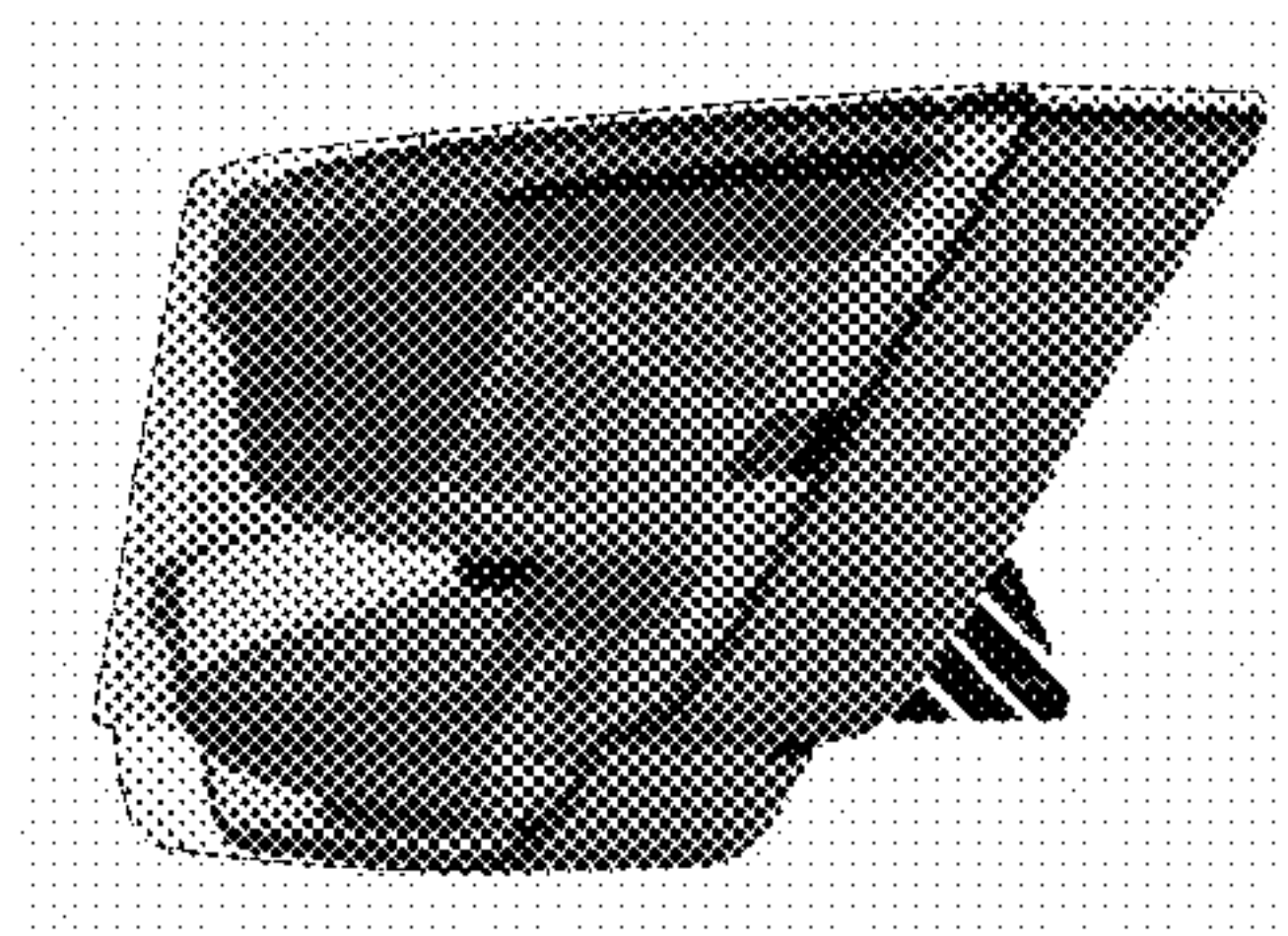


FIG. 6

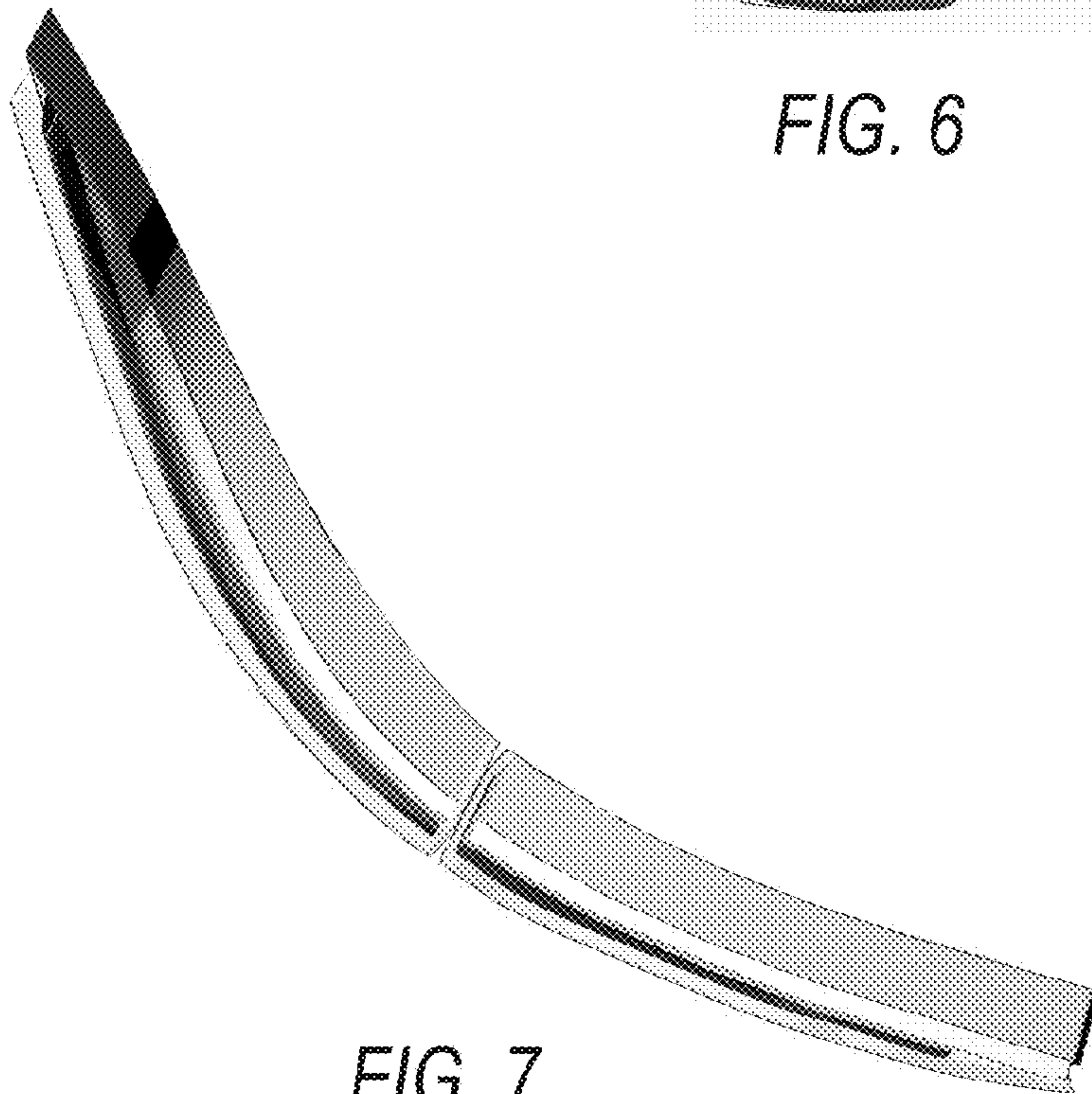


FIG. 7