



US00D749754S

(12) **United States Design Patent**  
**Cline**

(10) **Patent No.:** **US D749,754 S**

(45) **Date of Patent:** **\*\* Feb. 16, 2016**

(54) **BORDER FOR LANDSCAPING,  
PLAYGROUNDS, OR THE LIKE**

(71) Applicant: **Michael L. Cline**, Alpharetta, GA (US)

(72) Inventor: **Michael L. Cline**, Alpharetta, GA (US)

(\*\*) Term: **14 Years**

(21) Appl. No.: **29/479,769**

(22) Filed: **Jan. 20, 2014**

(51) **LOC (10) Cl.** ..... **25-01**

(52) **U.S. Cl.**  
USPC ..... **D25/164**

(58) **Field of Classification Search**

USPC ..... D5/1, 2, 3, 44, 58, 60, 99; D6/332;  
D25/58, 113, 114, 115, 136, 138, 139,  
D25/140-144, 153, 156, 157, 159, 163, 164,  
D25/199

CPC ..... A01G 1/08; E01C 11/221; E01C 11/222;  
E01C 11/22; E02D 5/803; E02D 5/805;  
E04H 12/182; H01Q 1/103

See application file for complete search history.

(56) **References Cited**

**U.S. PATENT DOCUMENTS**

4,869,018	A *	9/1989	Scales et al.	47/33
4,982,535	A *	1/1991	Pickett	52/71
5,283,994	A *	2/1994	Callison	52/71
D371,446	S *	7/1996	VanDeusen	D25/113
D372,991	S *	8/1996	Ramsey	D25/164
D438,992	S *	3/2001	Chrisco et al.	D25/164
6,418,675	B1 *	7/2002	Peggs et al.	52/102
6,854,221	B1 *	2/2005	Michaels	52/102
D546,969	S *	7/2007	Christensen	D25/38.1
D555,804	S *	11/2007	Christensen	D25/38.1
8,167,512	B2 *	5/2012	Christensen	404/6
8,808,600	B1 *	8/2014	Christensen et al.	264/250
D716,113	S *	10/2014	Mull	D8/1

D719,278	S *	12/2014	Reutherdal et al.	D25/38.1
D726,934	S *	4/2015	Reutherdal et al.	D25/38.1
2006/0236601	A1 *	10/2006	Barber	47/33

\* cited by examiner

*Primary Examiner* — Eric Goodman

*Assistant Examiner* — Amy Wierenga

(74) *Attorney, Agent, or Firm* — Lee & Hayes, PLLC

(57) **CLAIM**

The ornamental design for a border for landscaping, playgrounds, or the like, as shown and described.

**DESCRIPTION**

FIG. 1 is a top perspective view of a border for landscaping, playgrounds, or the like;

FIG. 2 is a bottom perspective view of the border for landscaping, playgrounds, or the like;

FIG. 3 is a top view of the border for landscaping, playgrounds, or the like;

FIG. 4 is a bottom view of the border for landscaping, playgrounds, or the like;

FIG. 5 is a front view of the border for landscaping, playgrounds, or the like;

FIG. 6 is a back view of the border for landscaping, playgrounds, or the like;

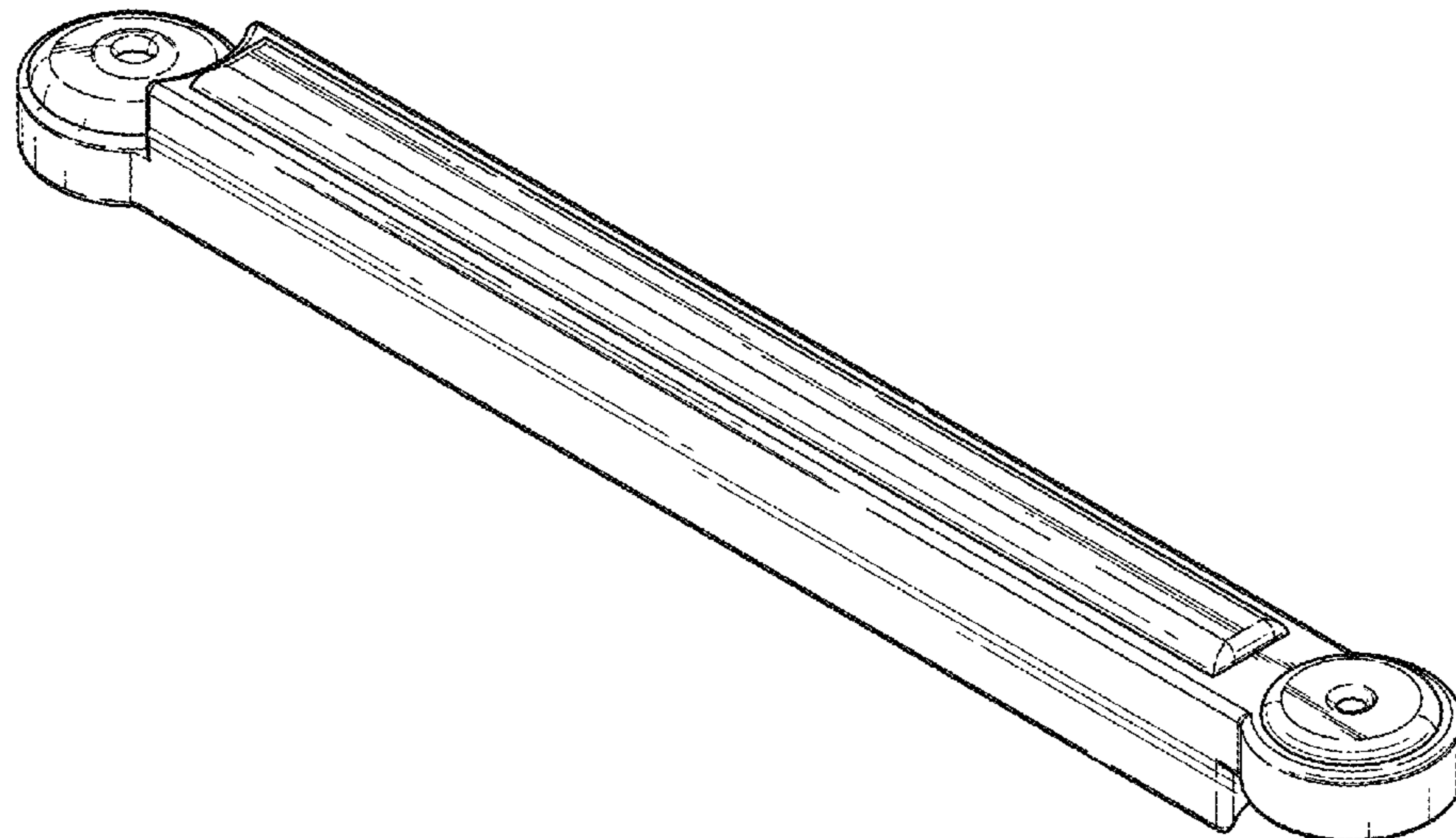
FIG. 7 is a right side view of the border for landscaping, playgrounds, or the like;

FIG. 8 is a left side view of the border for landscaping, playgrounds, or the like; and,

FIG. 9 is a perspective view showing the design of FIG. 1 in a position of use connected to other landscape borders to form an enclosure.

The broken lines in FIG. 9 are included for the purpose of illustrating environment structure and form no part of the claimed design. The broken lines in FIGS. 2 and 4 depict portions of the border for landscaping, playgrounds or the like that form no part of the claimed design.

**1 Claim, 8 Drawing Sheets**



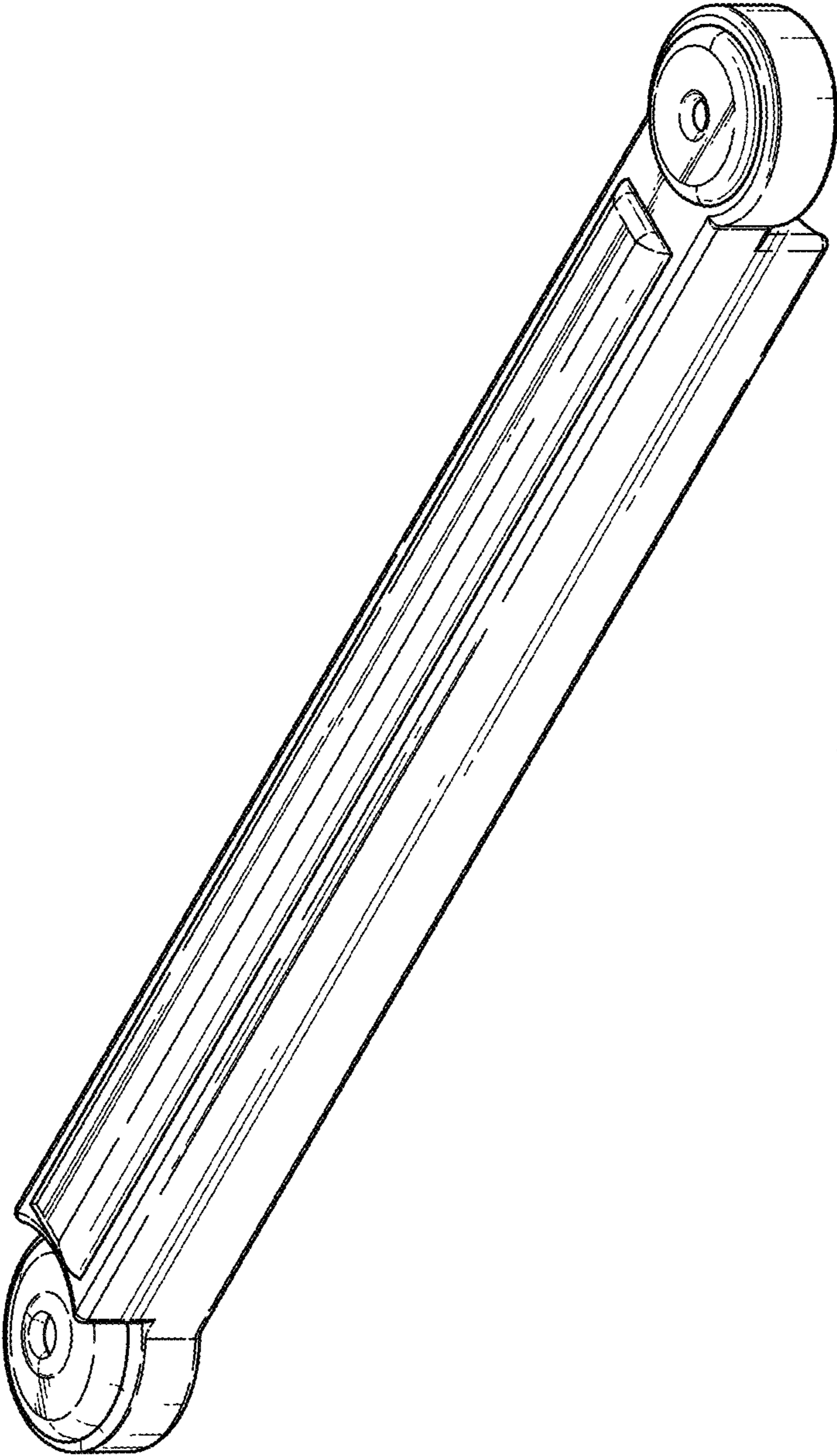


FIG. 1

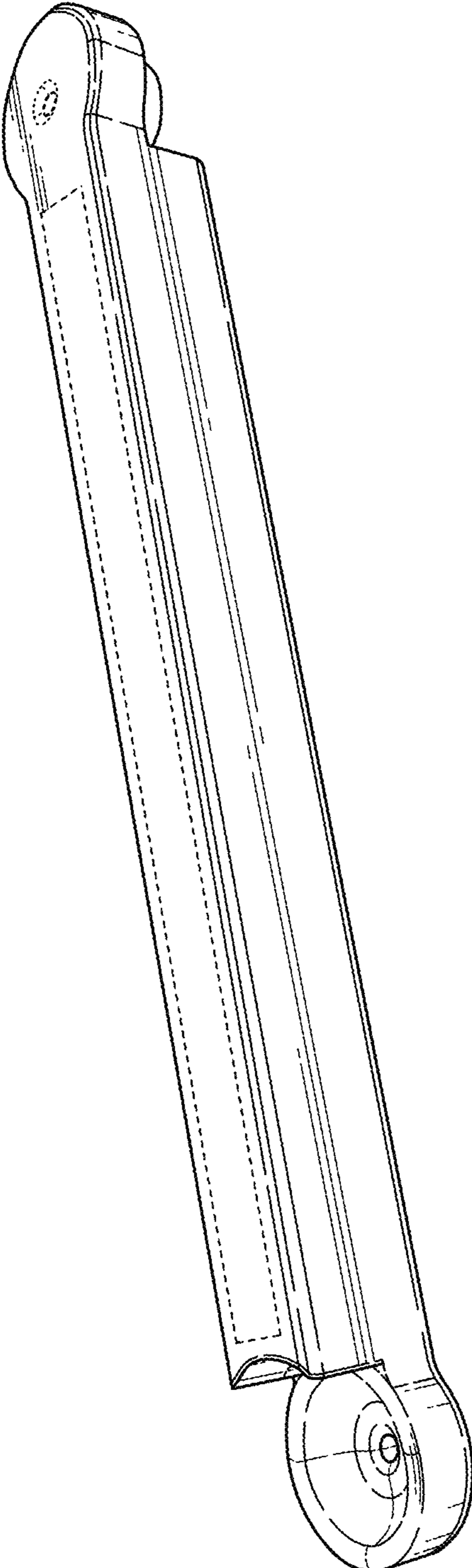


FIG. 2

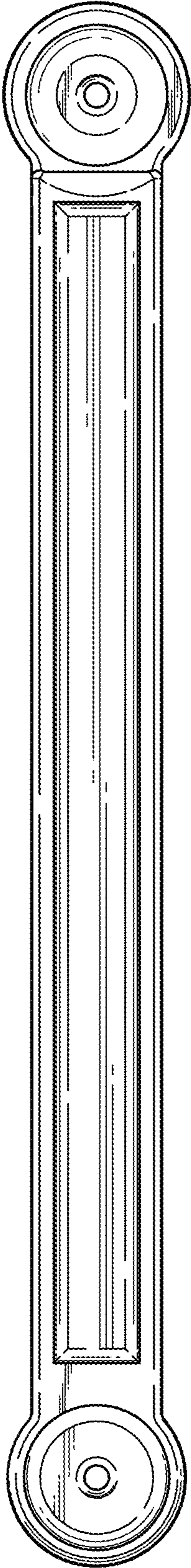


FIG. 3

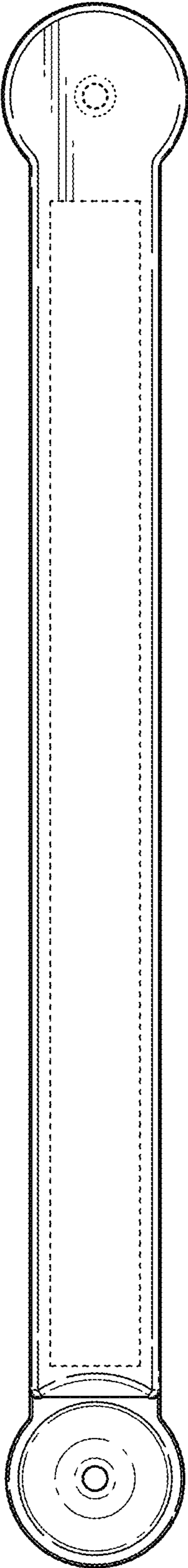


FIG. 4

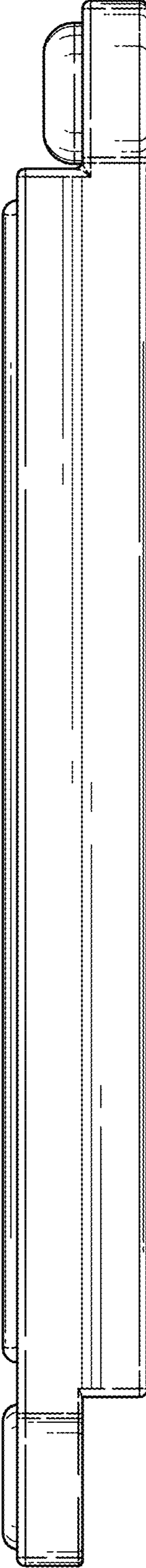


FIG. 5

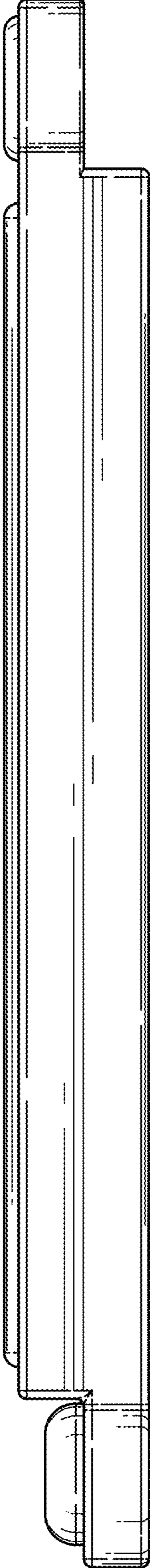


FIG. 6

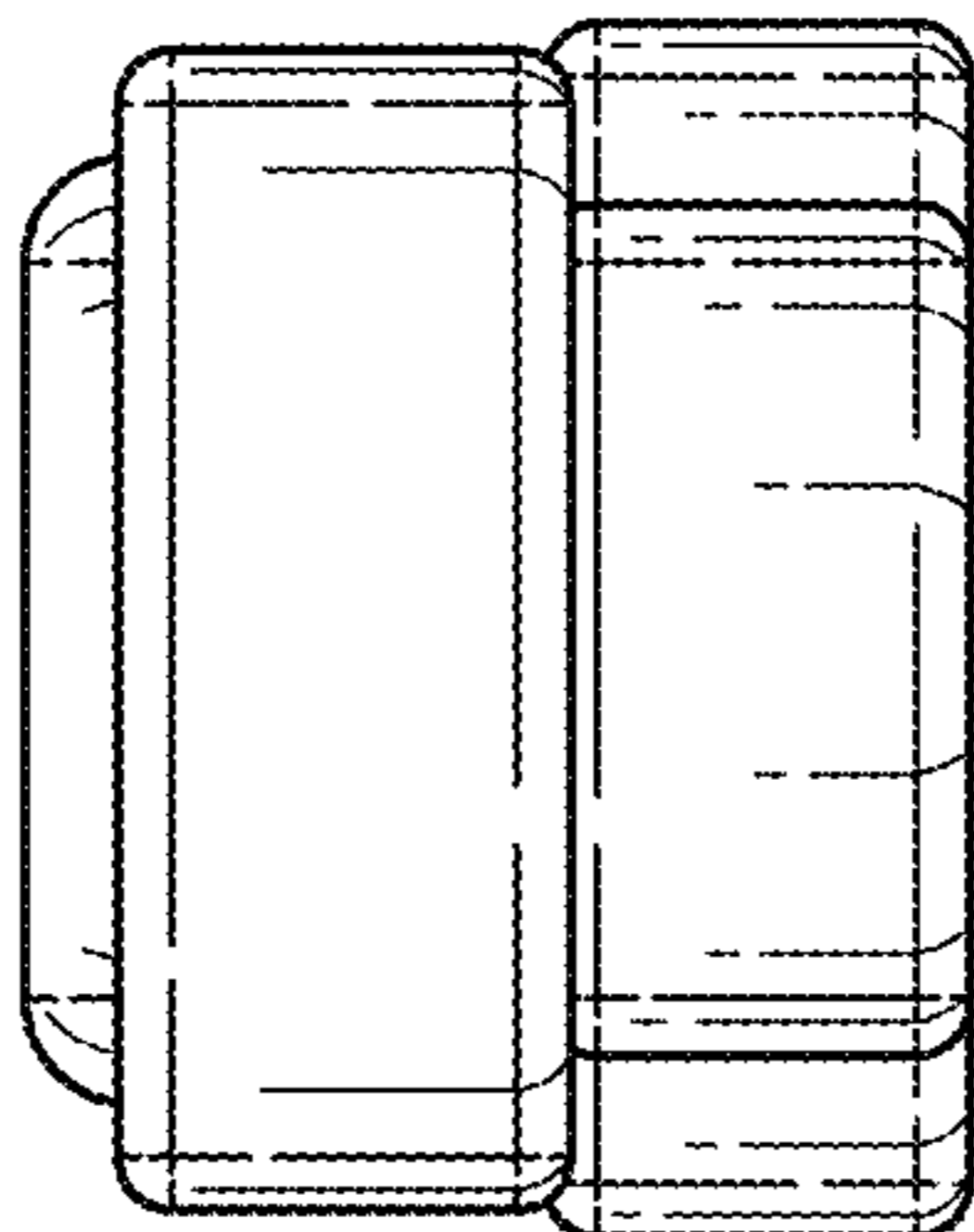


FIG. 8

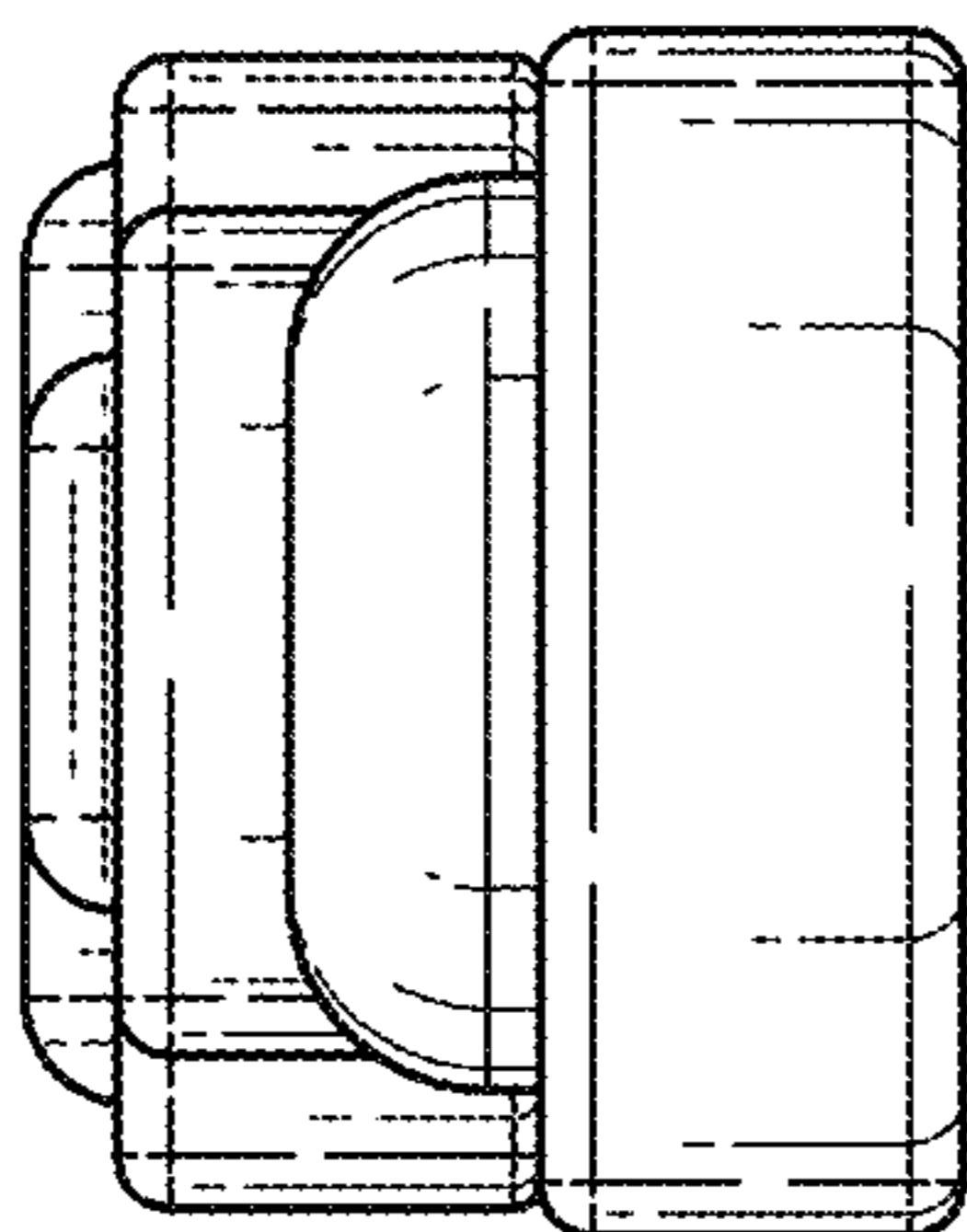


FIG. 7



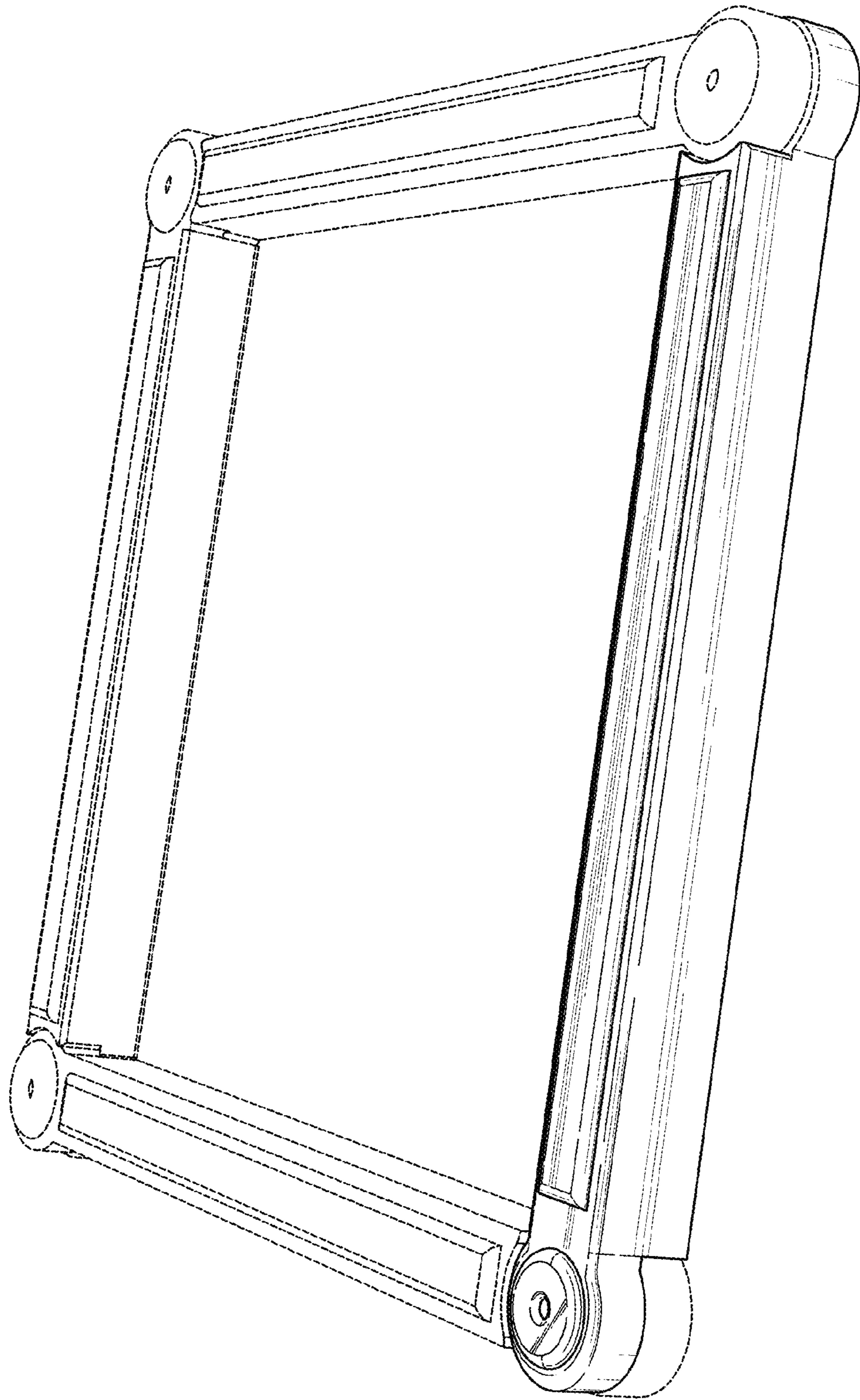


FIG. 9