



US00D749751S

(12) **United States Design Patent**
Murray et al.

(10) **Patent No.:** **US D749,751 S**

(45) **Date of Patent:** **** Feb. 16, 2016**

(54) **COLUMN SURROUND**

6,886,296 B1 * 5/2005 John E04H 12/2292
248/519

(71) Applicant: **Neuehouse LLC**, New York, NY (US)

D599,036 S * 8/2009 Baxter D25/122
D634,413 S * 3/2011 Wallace D23/354

(72) Inventors: **Alan Murray**, New York, NY (US);
Cristina Azario, New York, NY (US);
Nicholas Thatos, Manhasset, NY (US);
Michael Siporin, New York, NY (US);
David Rockwell, New York, NY (US)

* cited by examiner

Primary Examiner — Doris Clark

(74) *Attorney, Agent, or Firm* — Brad M. Behar &
Associates, PLLC

(**) Term: **14 Years**

(57) **CLAIM**

The ornamental design for column surround, as shown and described.

(21) Appl. No.: **29/489,452**

DESCRIPTION

(22) Filed: **Apr. 30, 2014**

(51) **LOC (10) Cl.** **25-01**

(52) **U.S. Cl.**
USPC **D25/126**

(58) **Field of Classification Search**
USPC D25/126, 38.1
CPC E04H 12/2292; E01F 15/0469; E01F
15/141; E01F 15/143; E01F 15/145; E02D
5/60; E02D 5/62; G09F 19/228; G09F
2023/0008; G09F 27/007; G09F 2007/1804;
G09F 15/0056; G09F 15/0037
See application file for complete search history.

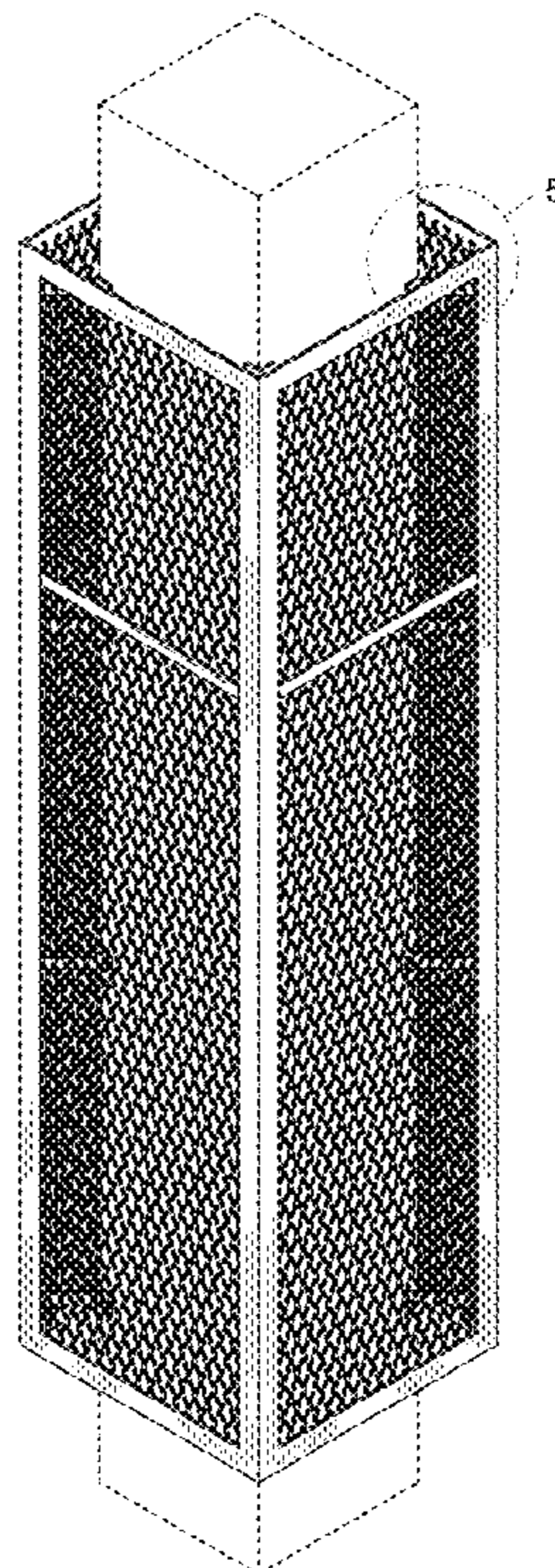
FIG. 1 is a perspective view of an embodiment of column surround showing the new design;
FIG. 2 is a front view thereof, the back view, the left side view and the right side view being identical thereto;
FIG. 3 is a top view thereof, the bottom view being identical thereto;
FIG. 4 is an enlarged view of a portion of the perspective view shown in FIG. 1;
FIG. 5 is an enlarged view of a portion of the front view shown in FIG. 2;
FIG. 6 is an enlarged perspective view of a portion of the design showing a portion of the support bracket;
FIG. 7 is a front view of the portion of the design shown in FIG. 6, the back view thereof being identical thereto; and,
FIG. 8 is a top view of the portion of the design shown in FIG. 6, the bottom view thereof being identical thereto.
The broken lines in the drawings are for illustrative purposes only and form no part of the claimed design.

(56) **References Cited**

U.S. PATENT DOCUMENTS

5,586,838 A * 12/1996 Walsh B29C 53/582
156/187
D465,585 S * 11/2002 Venegas, Jr. D25/126

1 Claim, 6 Drawing Sheets



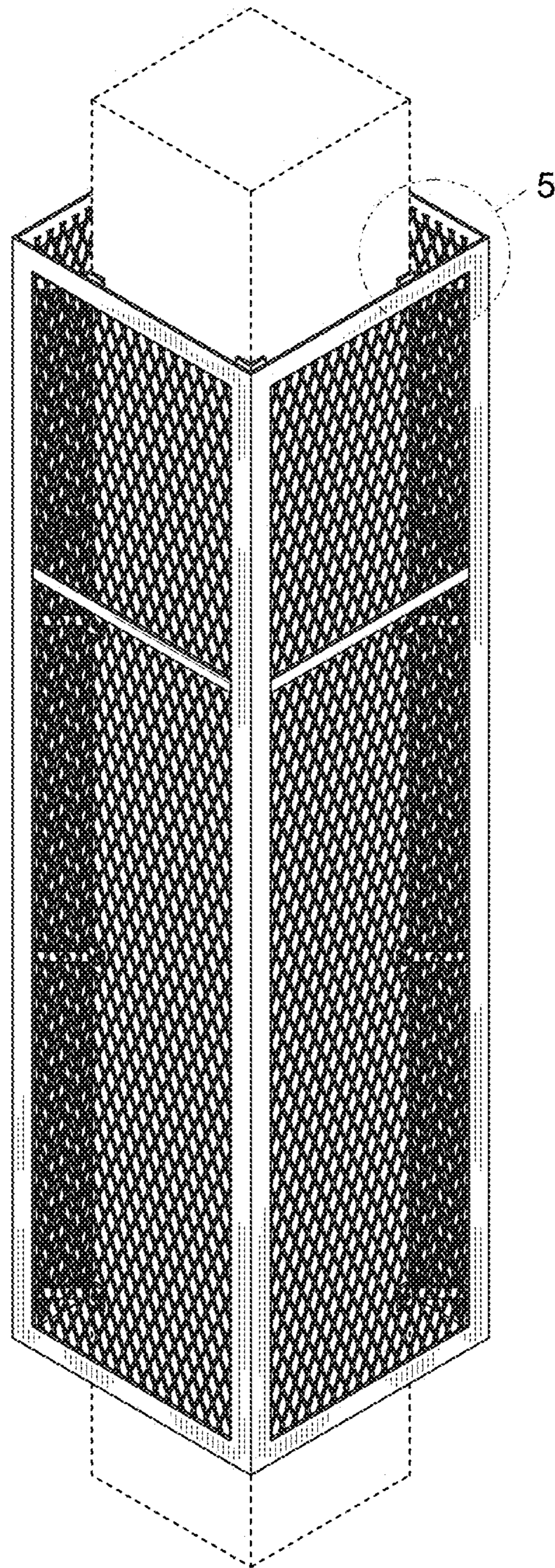


FIG. 1

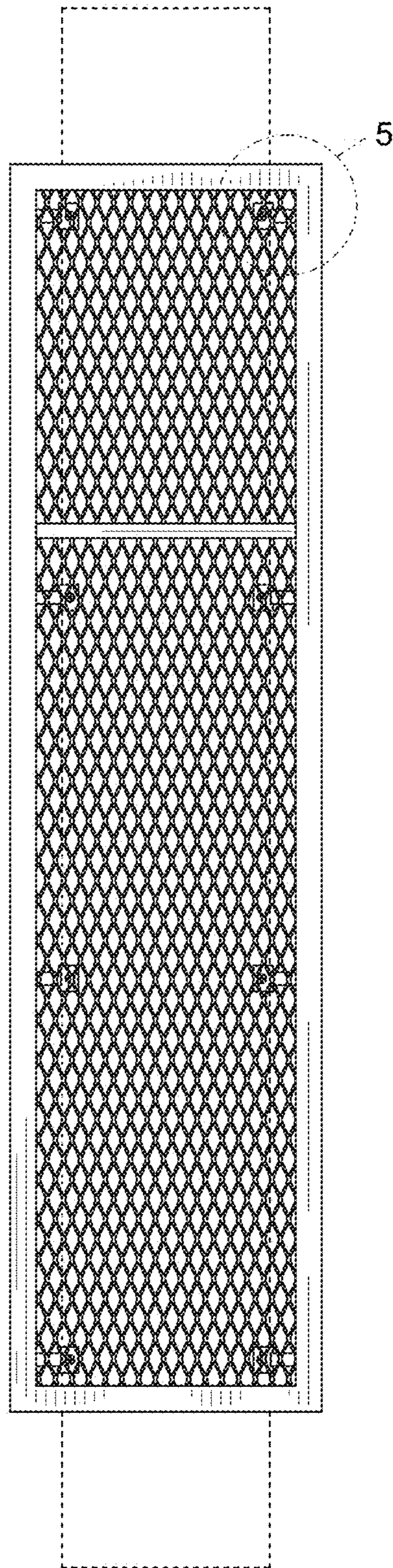


FIG. 2

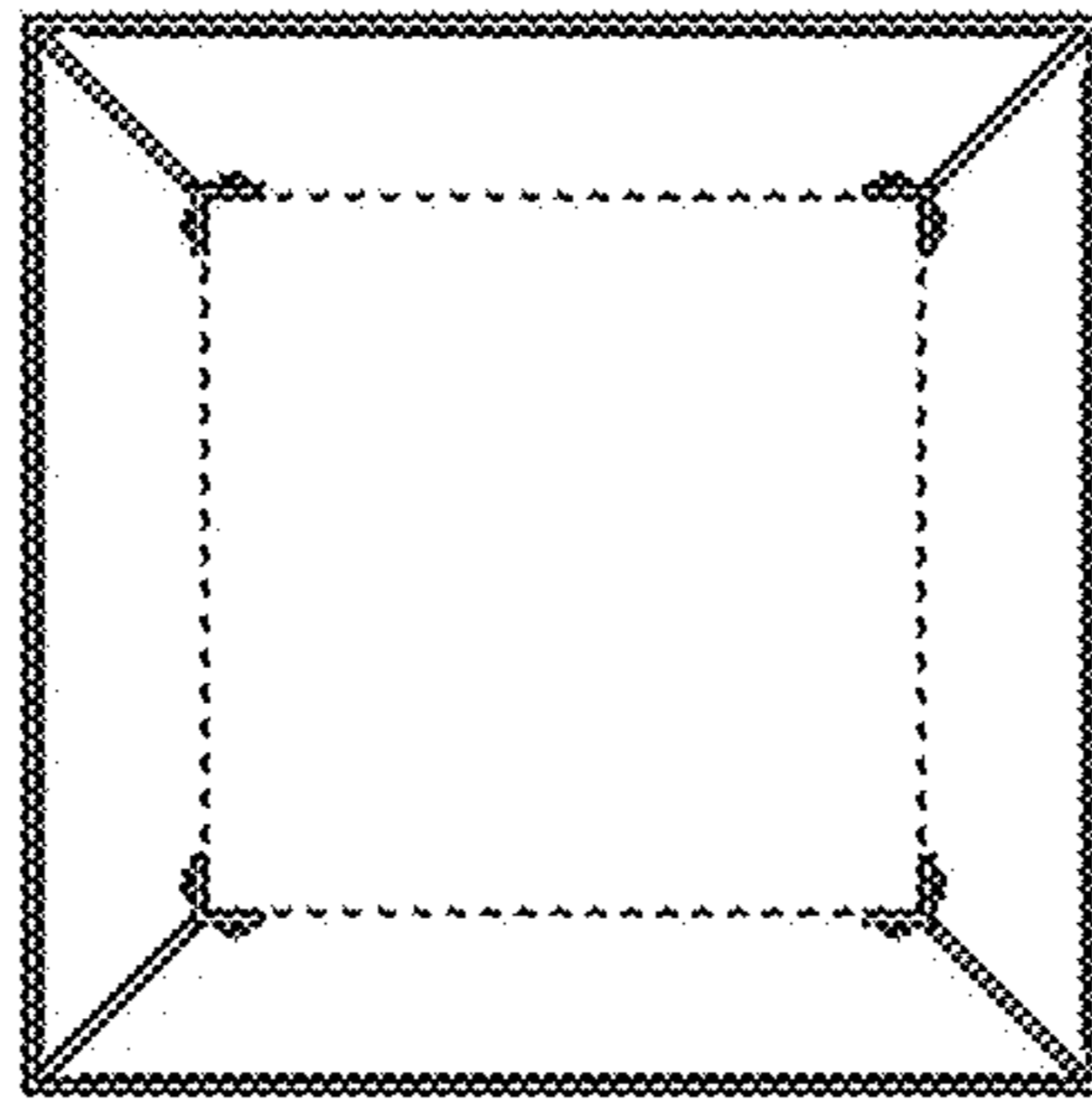


FIG. 3

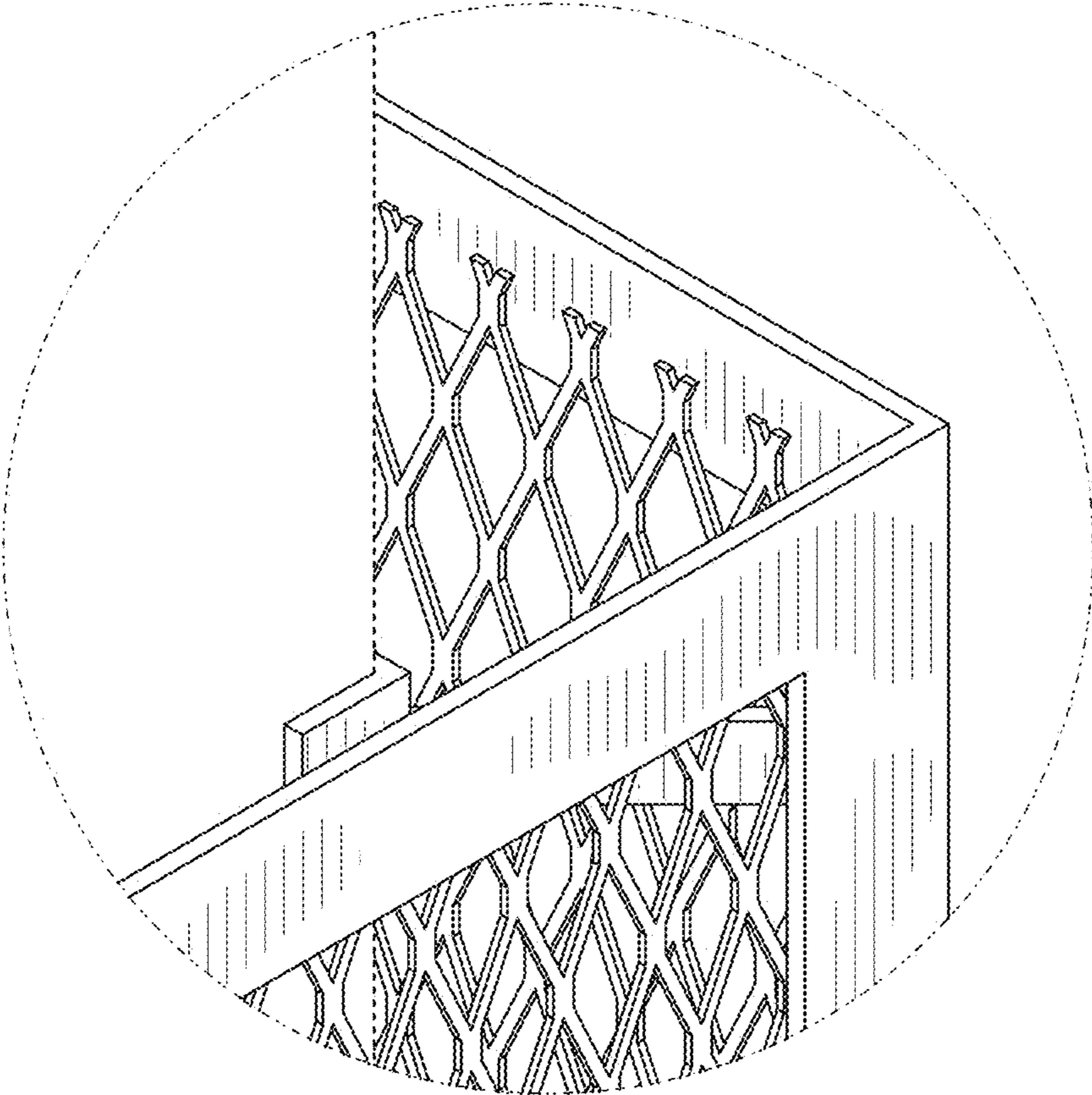


FIG. 4

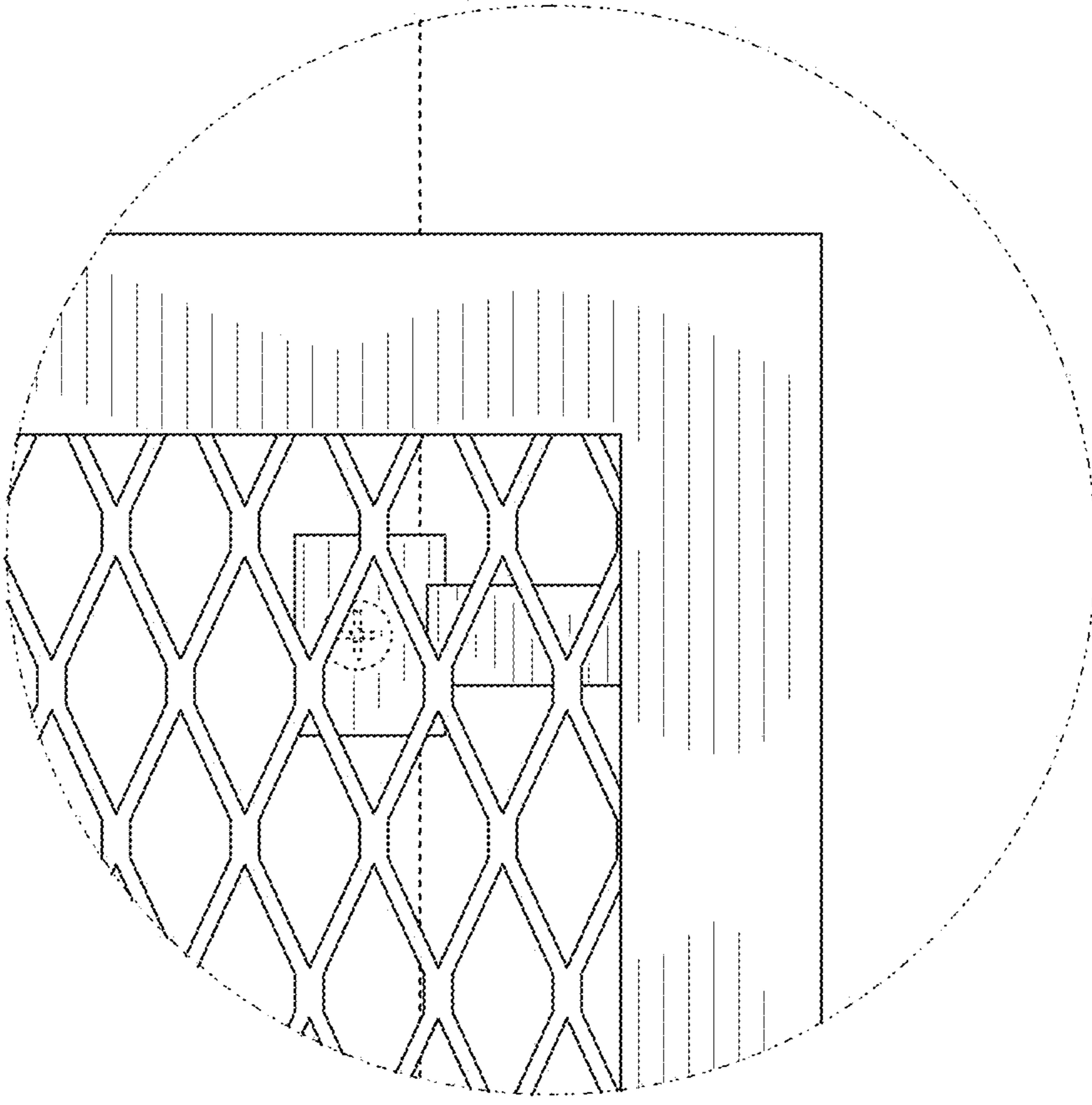


FIG. 5

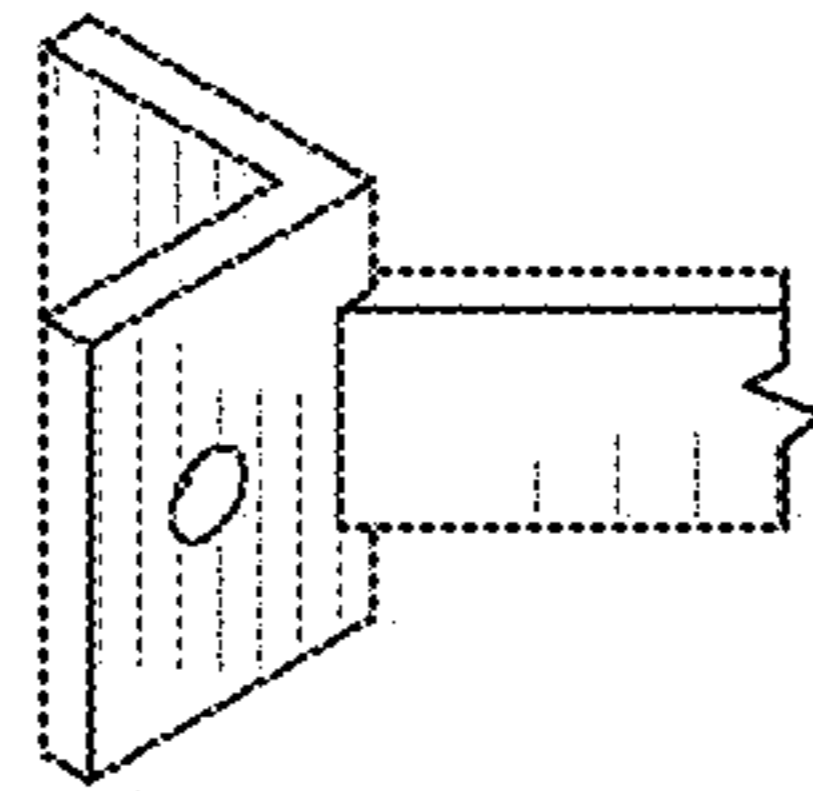


FIG. 6

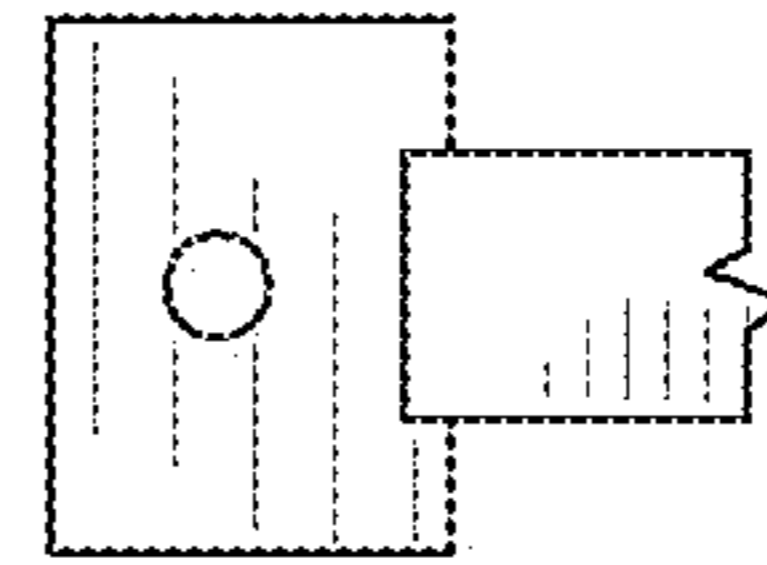


FIG. 7

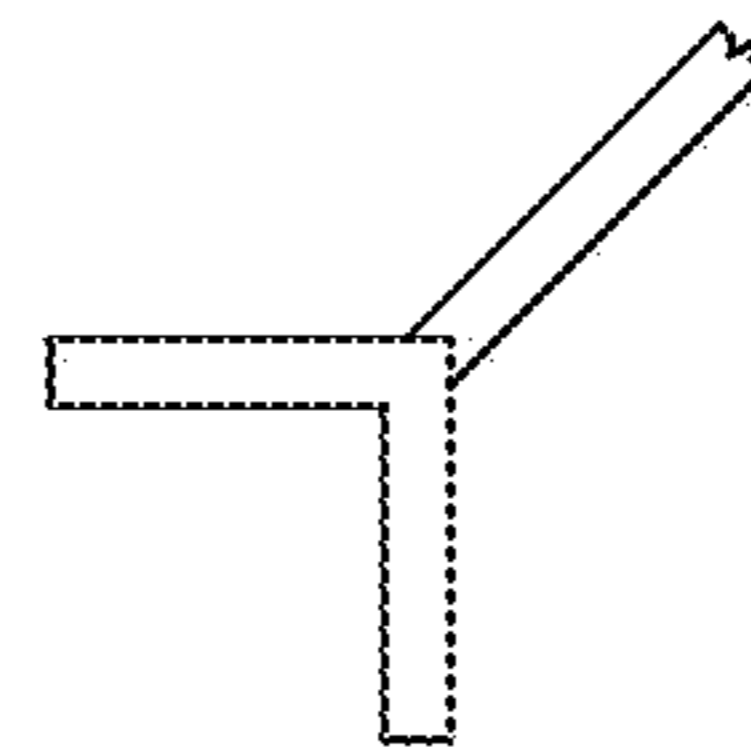


FIG. 8