



US00D749750S

(12) **United States Design Patent**  
**Cline**

(10) **Patent No.:** **US D749,750 S**

(45) **Date of Patent:** **\*\* Feb. 16, 2016**

(54) **BORDER END CAP FOR LANDSCAPING,  
PLAYGROUNDS, OR THE LIKE**

(71) Applicant: **Michael L. Cline**, Alpharetta, GA (US)

(72) Inventor: **Michael L. Cline**, Alpharetta, GA (US)

(\*\*) Term: **14 Years**

(21) Appl. No.: **29/479,771**

(22) Filed: **Jan. 20, 2014**

(51) **LOC (10) Cl.** ..... **25-01**

(52) **U.S. Cl.**  
USPC ..... **D25/113; D25/164**

(58) **Field of Classification Search**  
USPC ..... D25/113–118, 138, 152–162, 164, 199,  
D25/38.1, 42–44, 126, 135; 405/16, 284,  
405/286; 52/604, 608, 102, 300; 404/41,  
404/34; D8/1  
CPC ..... E04C 1/00; E04C 1/395; E04B 1/02  
See application file for complete search history.

(56) **References Cited**

**U.S. PATENT DOCUMENTS**

D263,628 S *	3/1982	Platner	.....	D25/158
D330,261 S *	10/1992	Wertz	.....	D25/113
D346,224 S *	4/1994	McClinton et al.	.....	D25/118
D392,749 S *	3/1998	Murray et al.	.....	D25/113
D425,214 S *	5/2000	Speck	.....	D25/118

D539,929 S *	4/2007	Quigley et al.	.....	D25/113
D575,416 S *	8/2008	LaBrash et al.	.....	D25/138
8,522,503 B1 *	9/2013	Egan et al.	.....	52/704
D723,717 S *	3/2015	Toye	.....	D25/135
2002/0043036 A1 *	4/2002	Nesbitt	.....	52/300
2005/0242468 A1 *	11/2005	MacDonald et al.	.....	264/255

\* cited by examiner

*Primary Examiner* — Anhdao Doan

(74) *Attorney, Agent, or Firm* — Lee & Hayes, PLLC

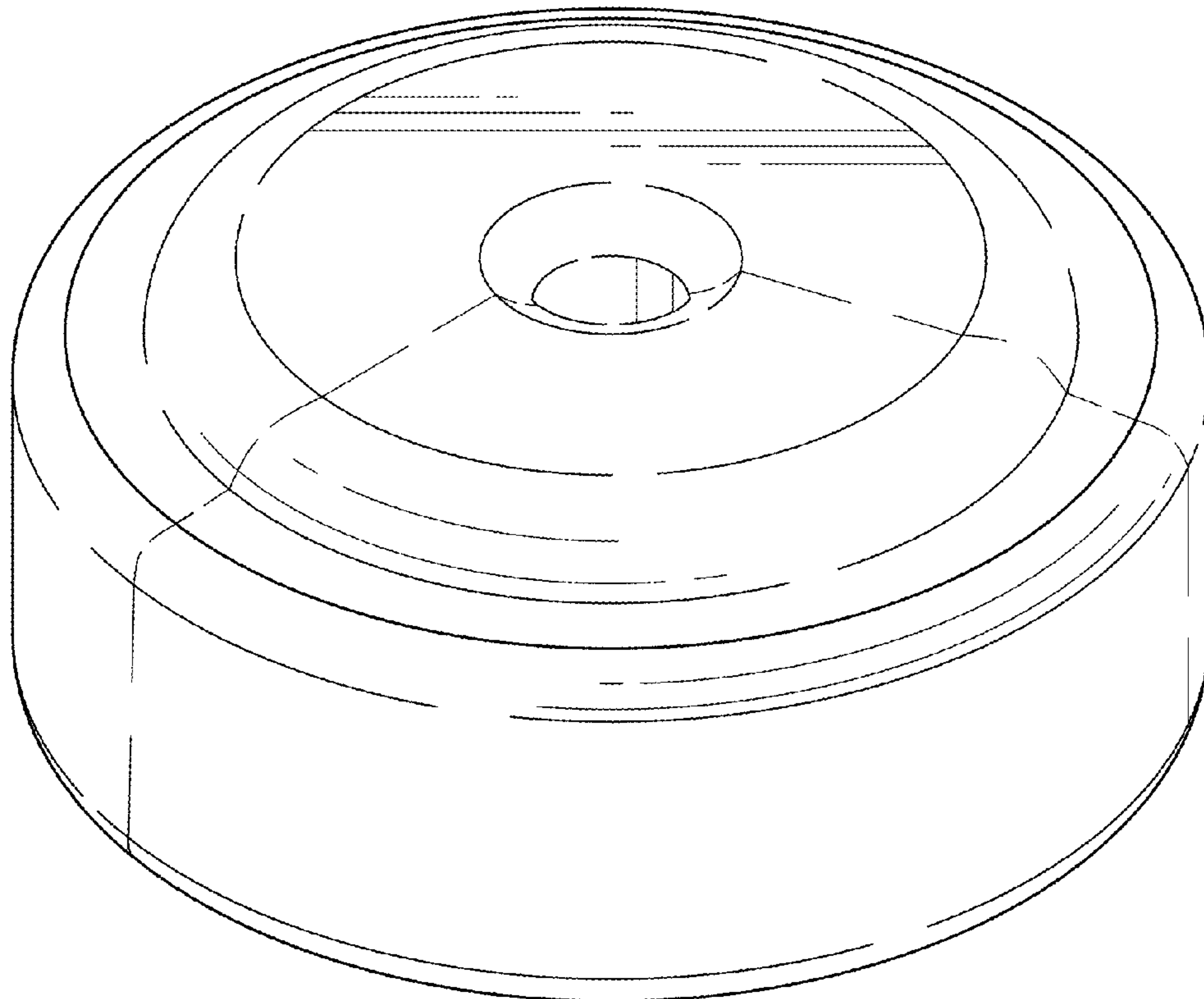
(57) **CLAIM**

The ornamental design for a border end cap for landscaping, playgrounds, or the like, as shown and described.

**DESCRIPTION**

FIG. 1 is a top perspective view of a border end cap for landscaping, playgrounds, or the like;  
FIG. 2 is a bottom perspective view thereof;  
FIG. 3 is a front view thereof, the back view, left view, and right view being mirror images;  
FIG. 4 is a top view thereof;  
FIG. 5 is a bottom view thereof; and,  
FIG. 6 is an exploded view thereof shown in a condition in which it is connected with a landscape border.  
The broken lines in FIG. 6 are included for the purpose of illustrating environment structure and form no part of the claimed design.

**1 Claim, 6 Drawing Sheets**



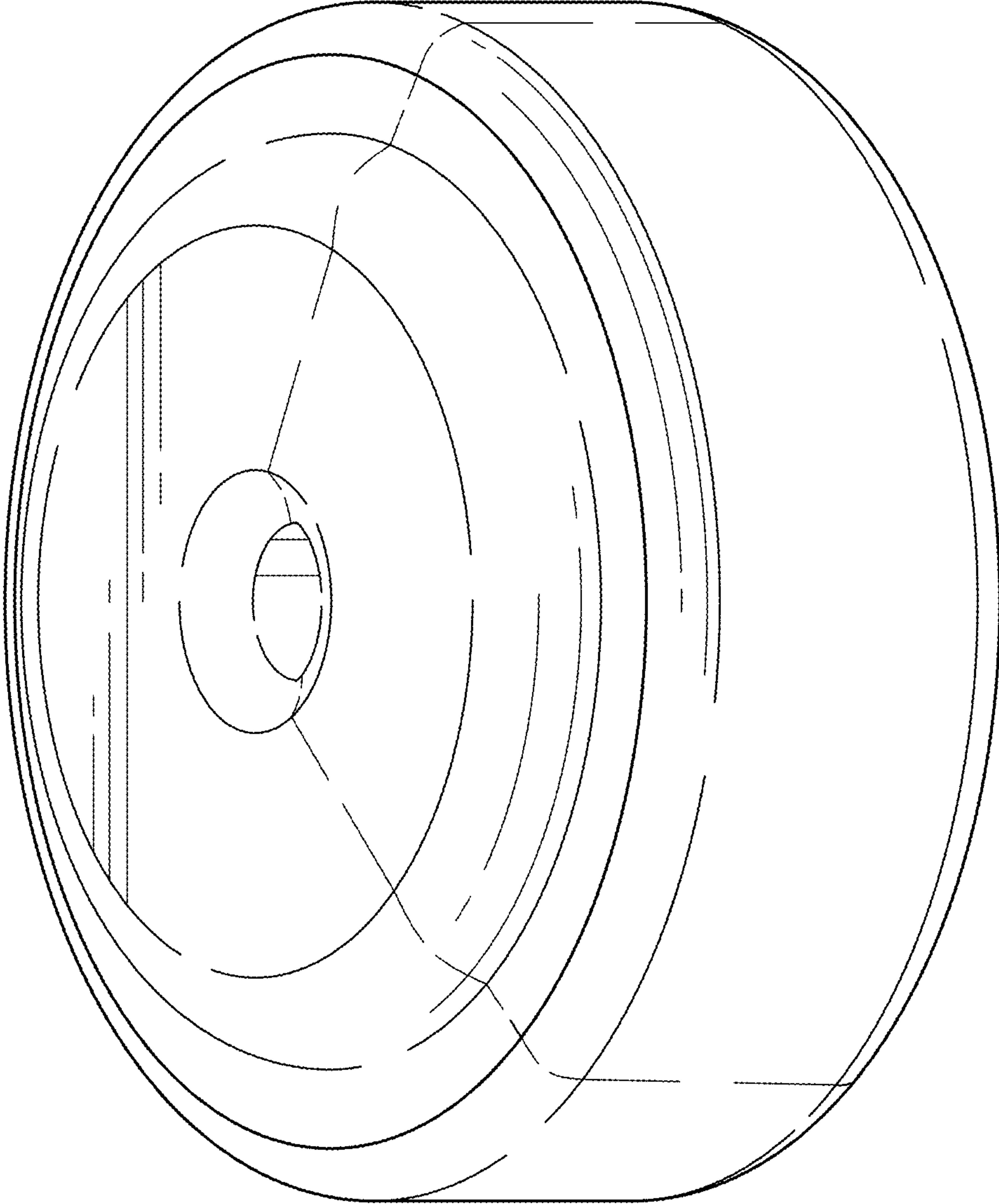


FIG. 1

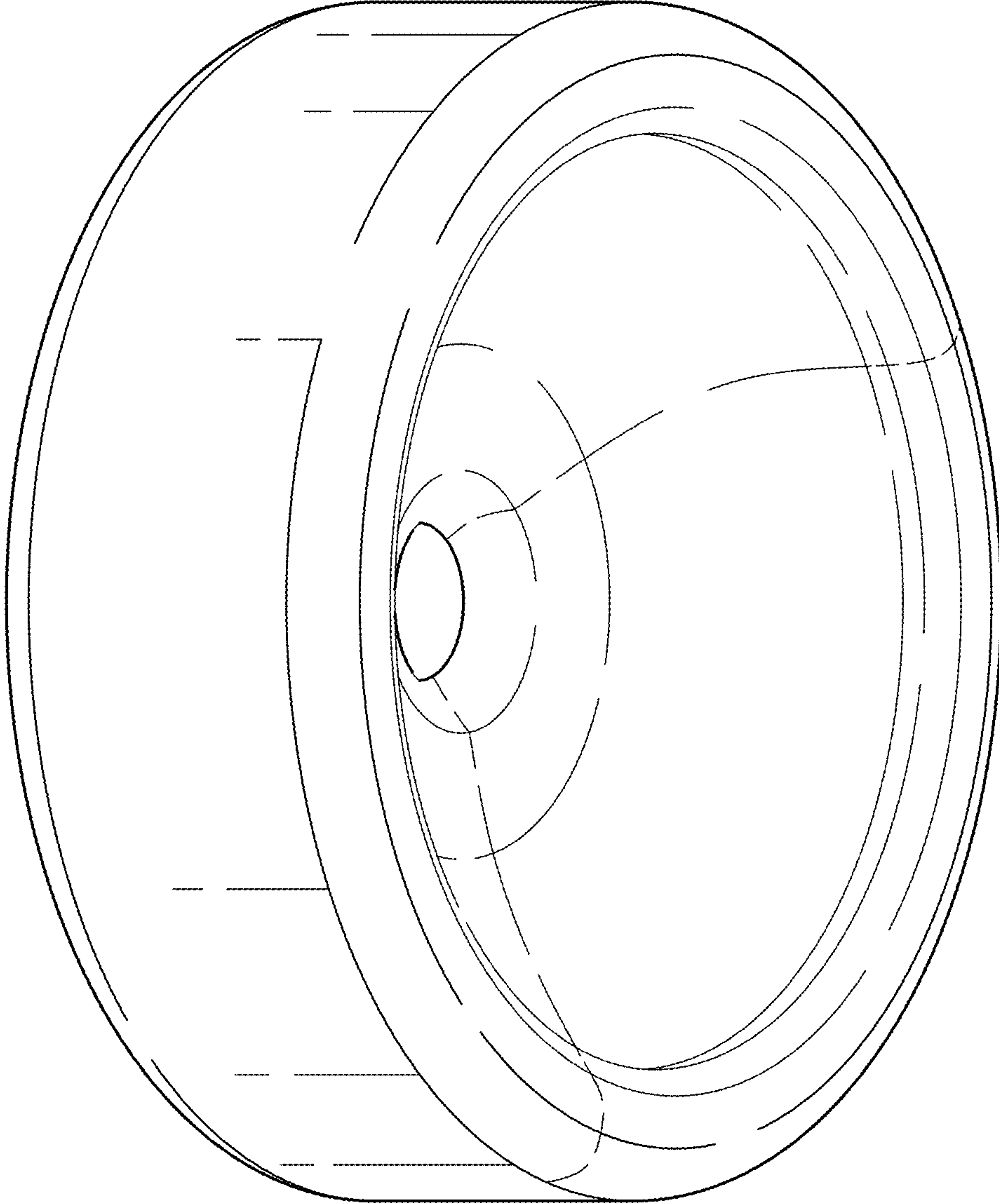


FIG. 2

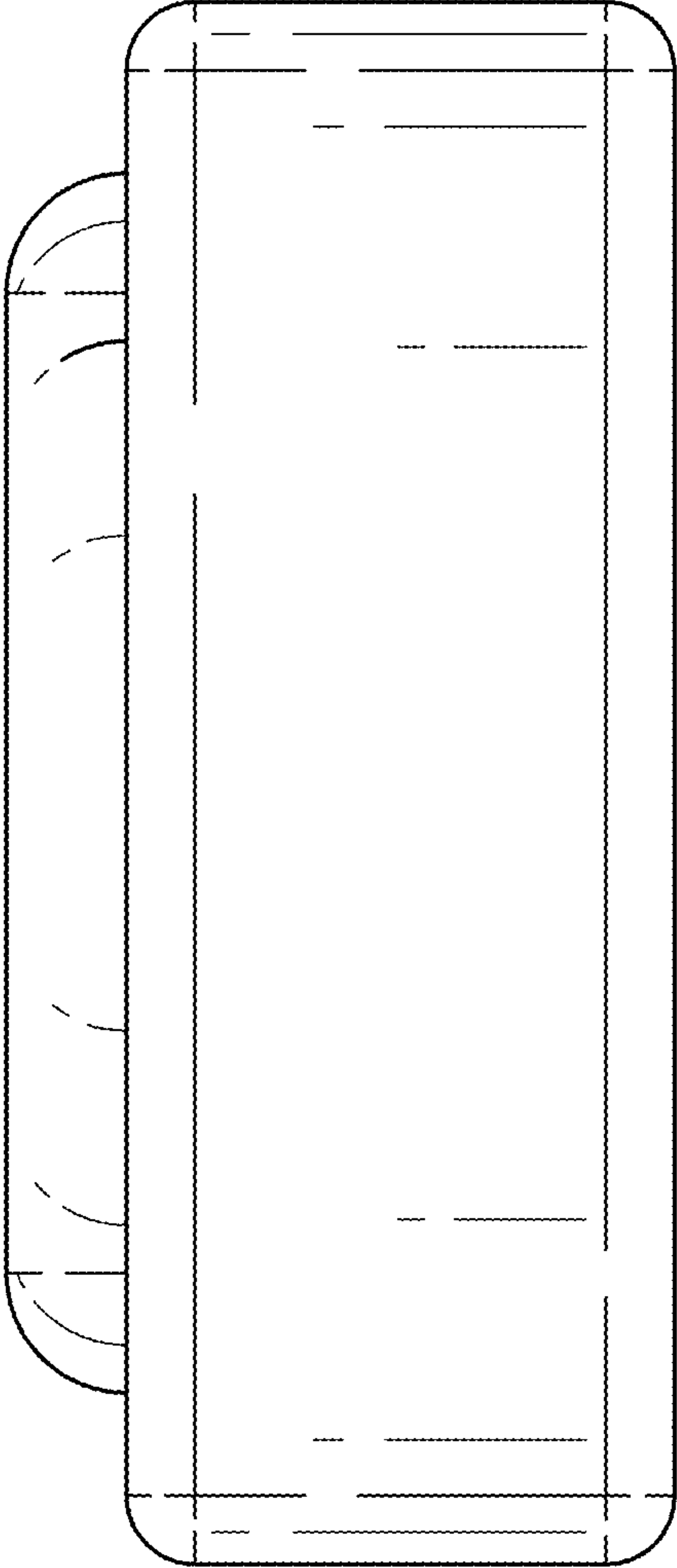


FIG. 3

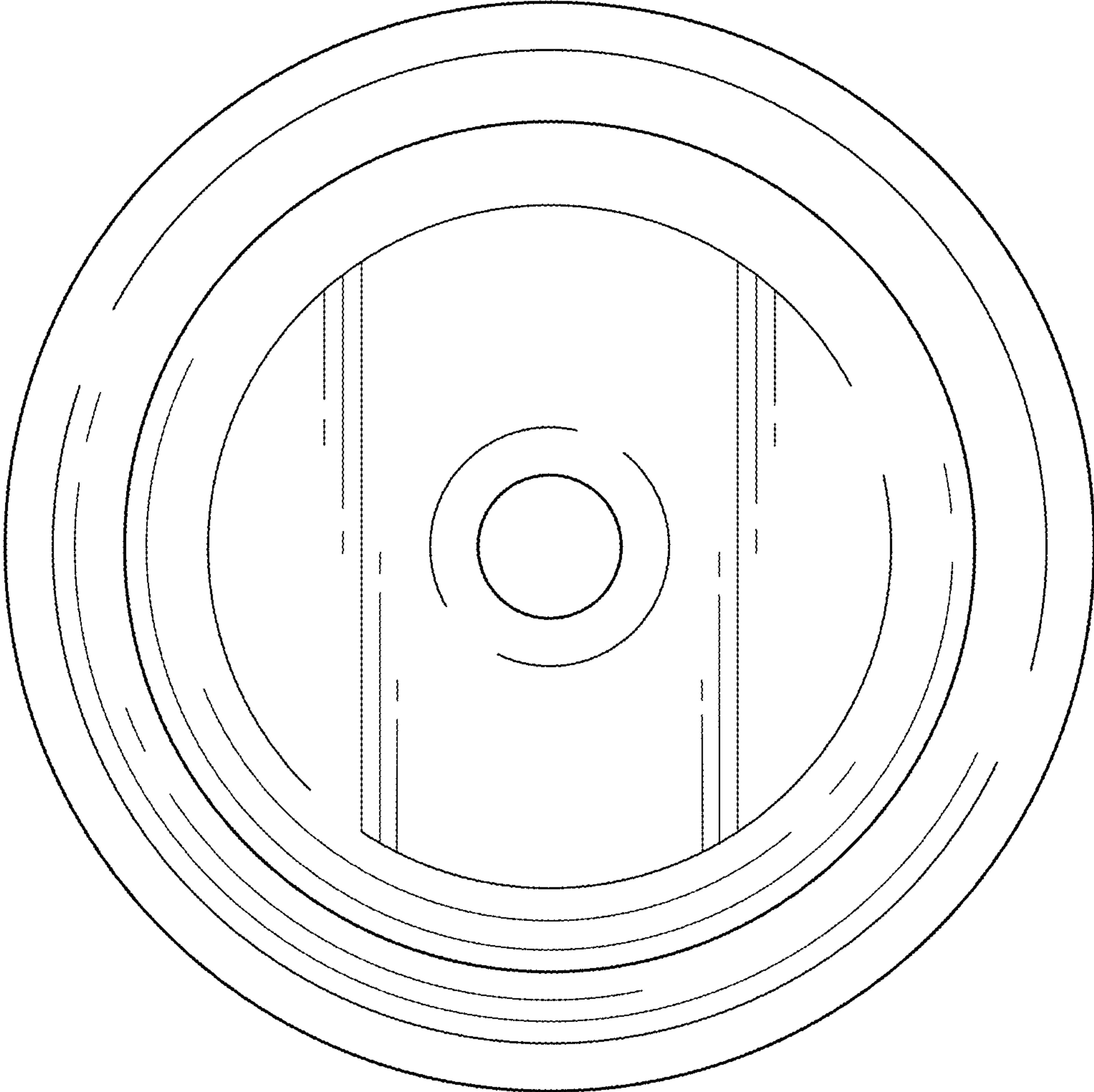


FIG. 4



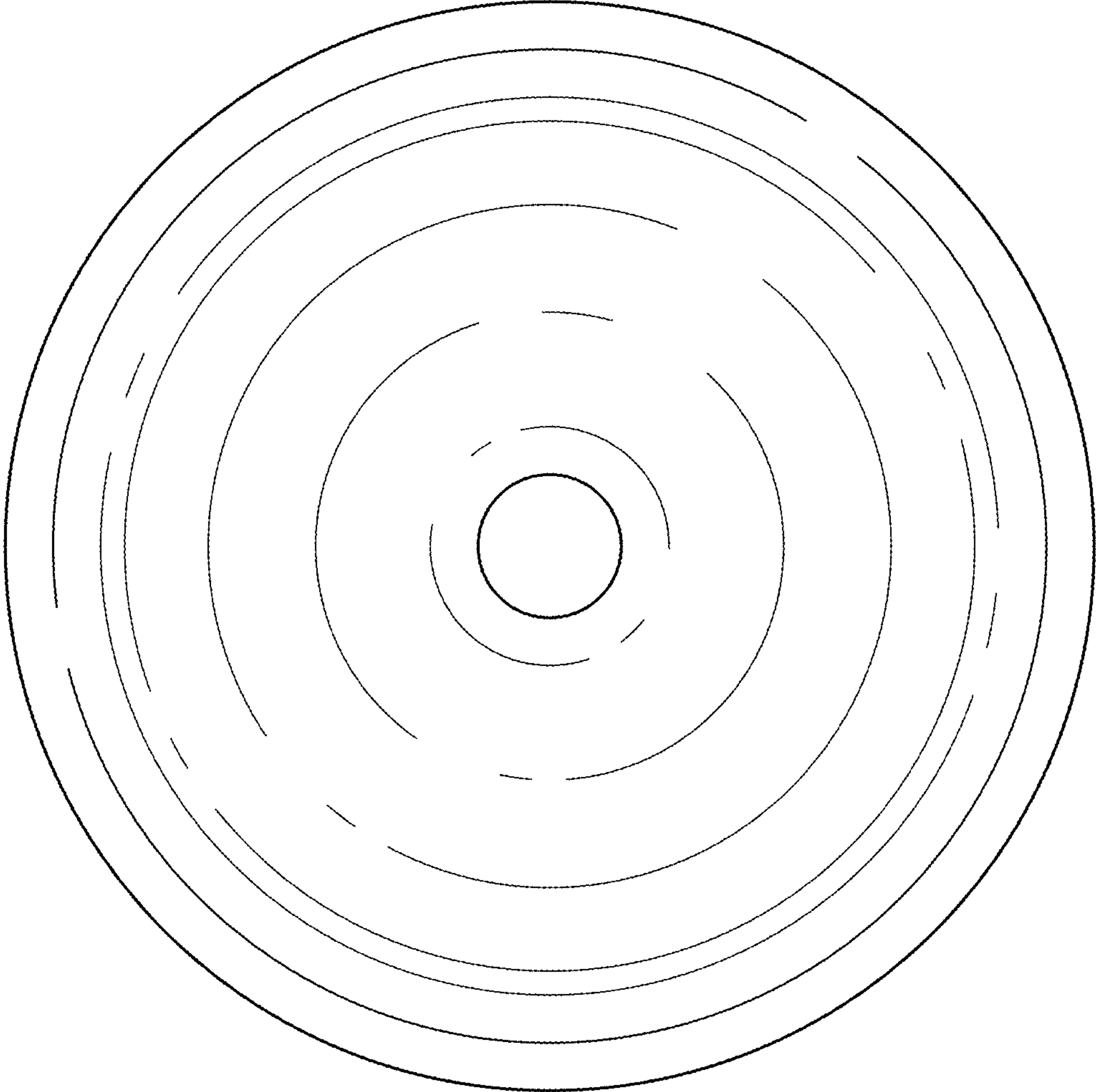


FIG. 5

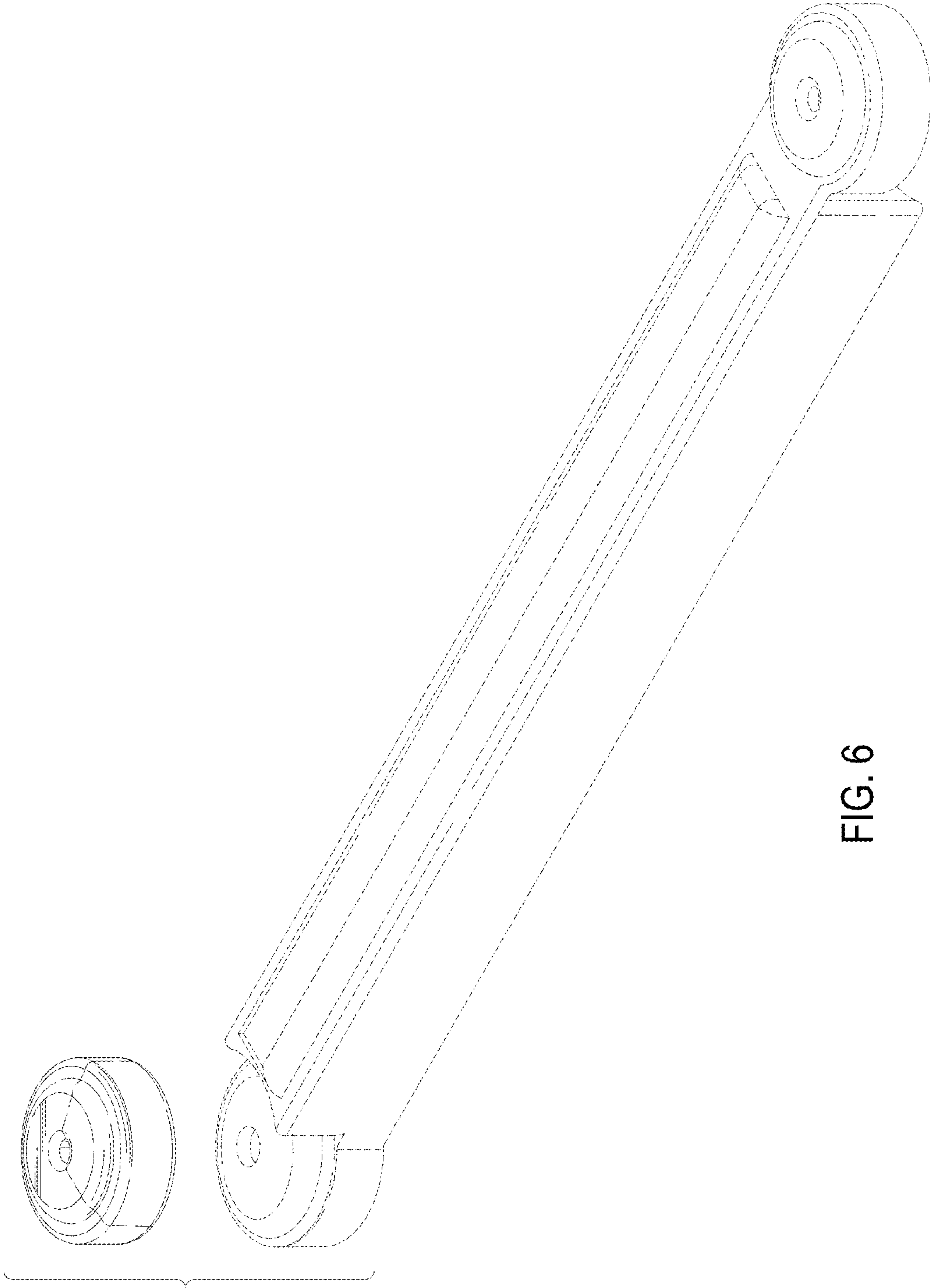


FIG. 6