

US00D749749S

(12) **United States Design Patent**
Snyder et al.

(10) **Patent No.:** **US D749,749 S**
(45) **Date of Patent:** **** Feb. 16, 2016**

(54) **FLUID FLOW SINKER AND A FLUID FLOW SINKER ASSEMBLY**

(71) Applicant: **SAINT-GOBAIN PERFORMANCE PLASTICS CORPORATION**, Aurora, OH (US)

(72) Inventors: **Mitchell L. Snyder**, Midland, MI (US); **Thomas R. Nixon**, Au Gres, MI (US)

(73) Assignee: **SAINT-GOBAIN PER.PLASTICS CORPORATION**, Aurora, OH (US)

(**) Term: **14 Years**

(21) Appl. No.: **29/493,647**

(22) Filed: **Jun. 11, 2014**

(51) **LOC (10) Cl.** **24-99**

(52) **U.S. Cl.**
USPC **D24/232**

(58) **Field of Classification Search**
USPC D24/176-178, 108, 112, 231-232; D7/300.2; 222/464.4; 166/105.5; D23/258; 433/31, 90-92, 95-96; 604/246
CPC A61C 17/043; A61C 17/0208; A61C 17/0202; A61C 17/046; A61C 1/0061; A61C 1/0084; A61C 1/052; Y10S 604/902; A61M 1/008; A61M 3/0279; A61M 1/0058; A61M 1/0023; A61M 6/0488; A61M 1/0039; A61M 3/0258

See application file for complete search history.

(56) **References Cited**

U.S. PATENT DOCUMENTS

1,581,508 A 5/1922 Bohmard
RE26,470 E 10/1968 Deuschle et al.
3,541,583 A 11/1970 Deuschle
5,114,342 A * 5/1992 Young et al. 433/95
5,217,044 A 6/1993 Schulte
D379,854 S * 6/1997 Hirsch et al. D24/112
5,690,487 A * 11/1997 Whitehouse et al. 433/91

5,743,736 A 4/1998 Folko et al.
5,931,670 A * 8/1999 Davis 433/91
6,156,004 A 12/2000 Tremaine et al.
6,183,254 B1 * 2/2001 Cohen 433/92
6,193,101 B1 2/2001 Murphy et al.

(Continued)

FOREIGN PATENT DOCUMENTS

EP 1477194 A2 11/2004
EP 1253863 B1 9/2007
WO 2013063457 A1 5/2013

Primary Examiner — Wan Laymon

(74) *Attorney, Agent, or Firm* — Abel Law Group, LLP; Chi Suk Kim

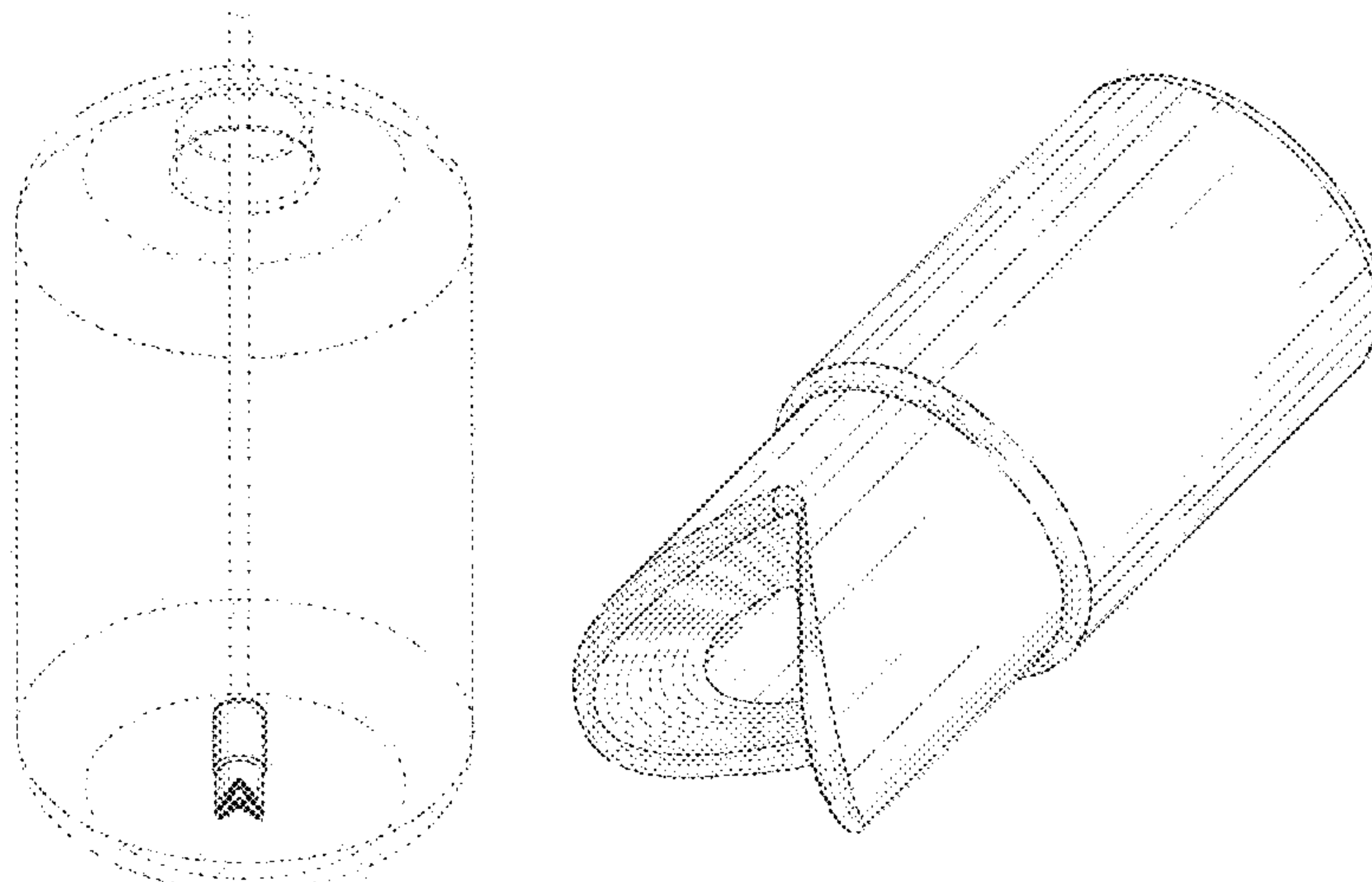
(57) **CLAIM**

The ornamental design for a fluid flow sinker and a fluid flow sinker assembly, as shown and described.

DESCRIPTION

FIG. 1 is a bottom perspective view of a fluid flow sinker and a fluid flow sinker assembly with the fluid flow sinker assembly removed for ease of illustration;
FIG. 2 is a side elevation view thereof, the opposite side being a mirror image;
FIG. 3 is a side elevation view thereof, the opposite side being a mirror image;
FIG. 4 is a top view thereof;
FIG. 5 is a bottom view thereof;
FIG. 6 is a bottom perspective view of a fluid flow sinker and a fluid flow sinker assembly;
FIG. 7 is a side elevation view thereof, the opposite side being a mirror image;
FIG. 8 is a top view thereof;
FIG. 9 is a bottom view thereof; and,
FIG. 10 is a side perspective view of FIG. 1.
The broken lines shown in the figures are included for the purpose of illustrating portions of the fluid flow sinker and fluid flow sinker assembly and form no part of the claimed design.

1 Claim, 8 Drawing Sheets



(56)

References Cited

U.S. PATENT DOCUMENTS

6,375,092	B1	4/2002	Banach						
6,602,072	B2 *	8/2003	Burney	433/96					
6,821,118	B2 *	11/2004	Schluskel	433/96					
6,969,046	B2	11/2005	Streutker et al.						
7,240,810	B2	7/2007	Harrity et al.						
7,335,023	B2	2/2008	Mahlmann						
7,377,780	B2	5/2008	White et al.						
7,648,083	B2	1/2010	Hornsby et al.						
					7,942,873	B2	5/2011	Kwan et al.	
					D692,143	S	10/2013	shahidi bonjar	
					8,545,401	B2	10/2013	Hajarian et al.	
					8,603,049	B2	12/2013	Morris et al.	
					8,870,568	B1 *	10/2014	Ream	433/93
					2003/0134254	A1	7/2003	Filho	
					2006/0088800	A1 *	4/2006	Neff et al.	433/91
					2006/0259014	A1	11/2006	Yarger	
					2008/0145815	A1	6/2008	Hershey et al.	
					2012/0001112	A1	1/2012	Alkemade et al.	

* cited by examiner

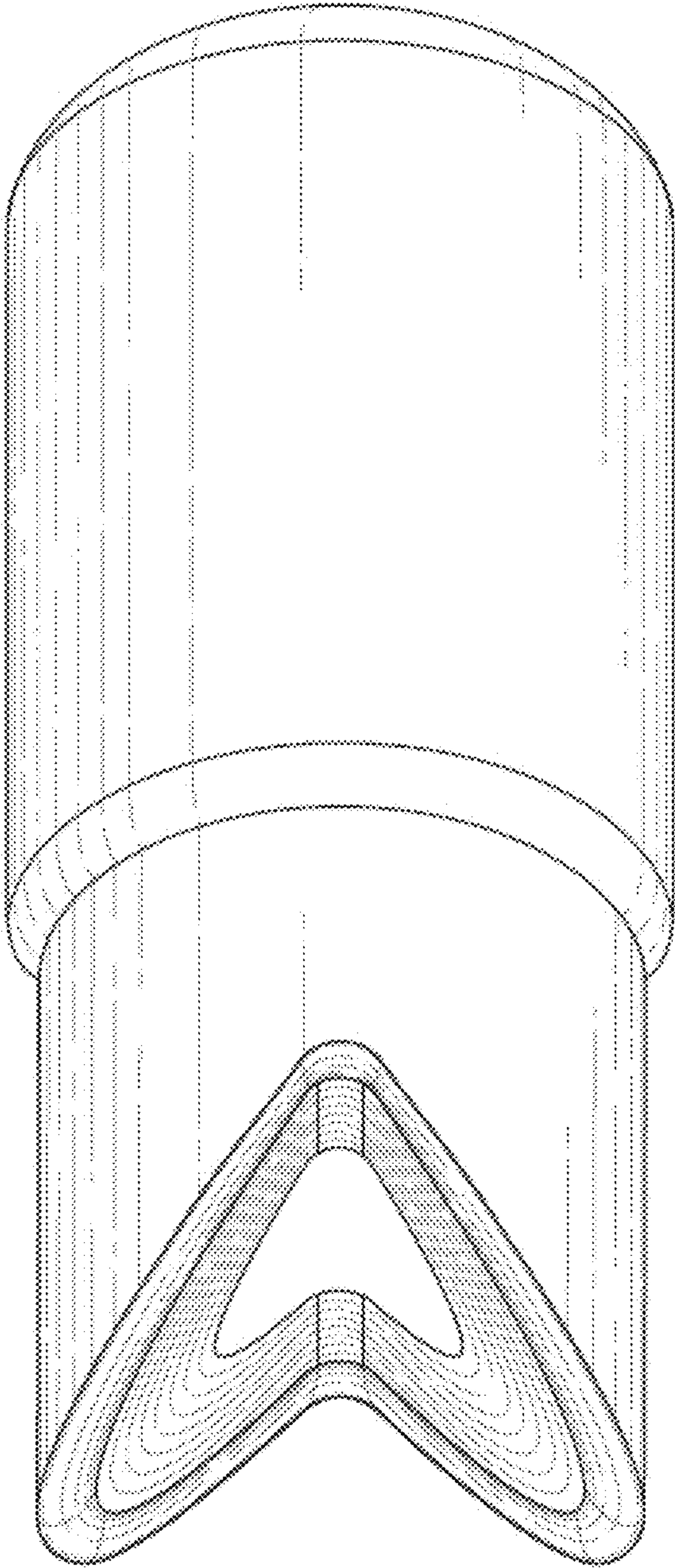


FIG. 1

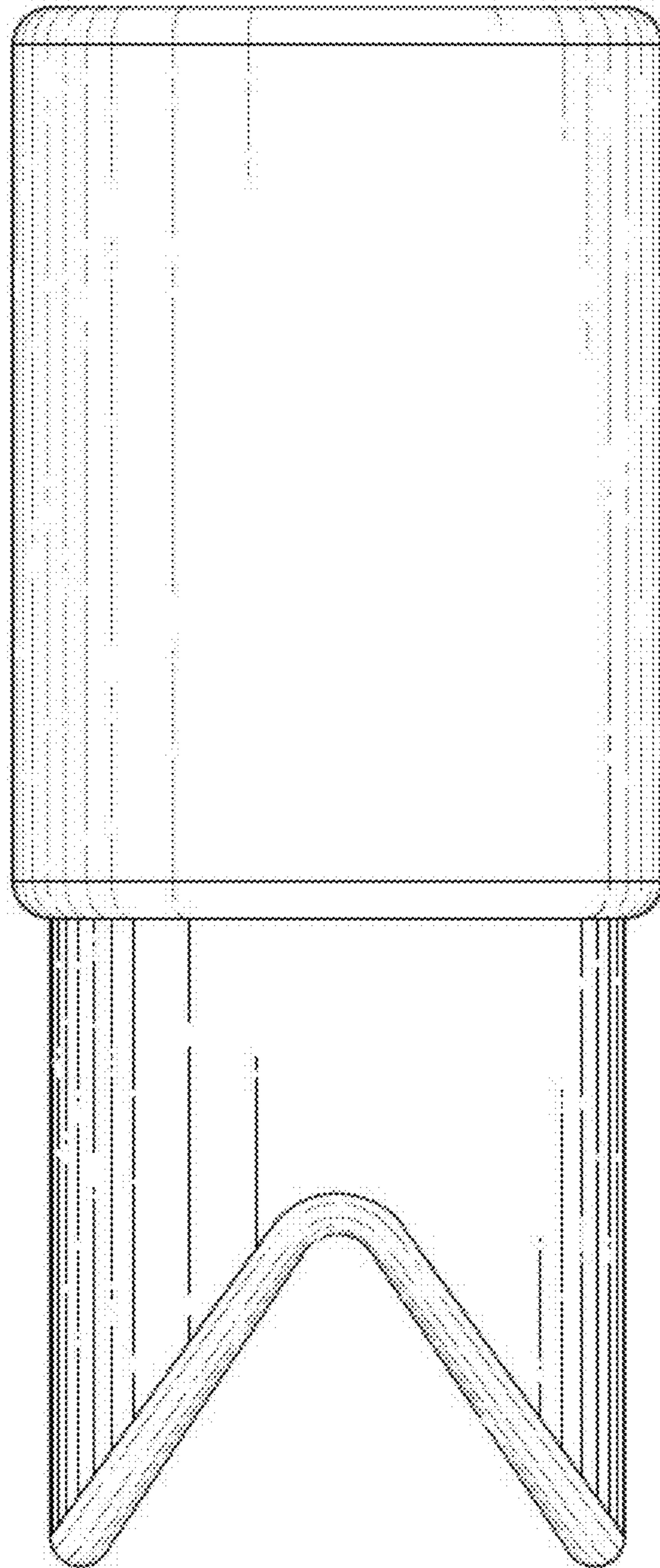


FIG. 2

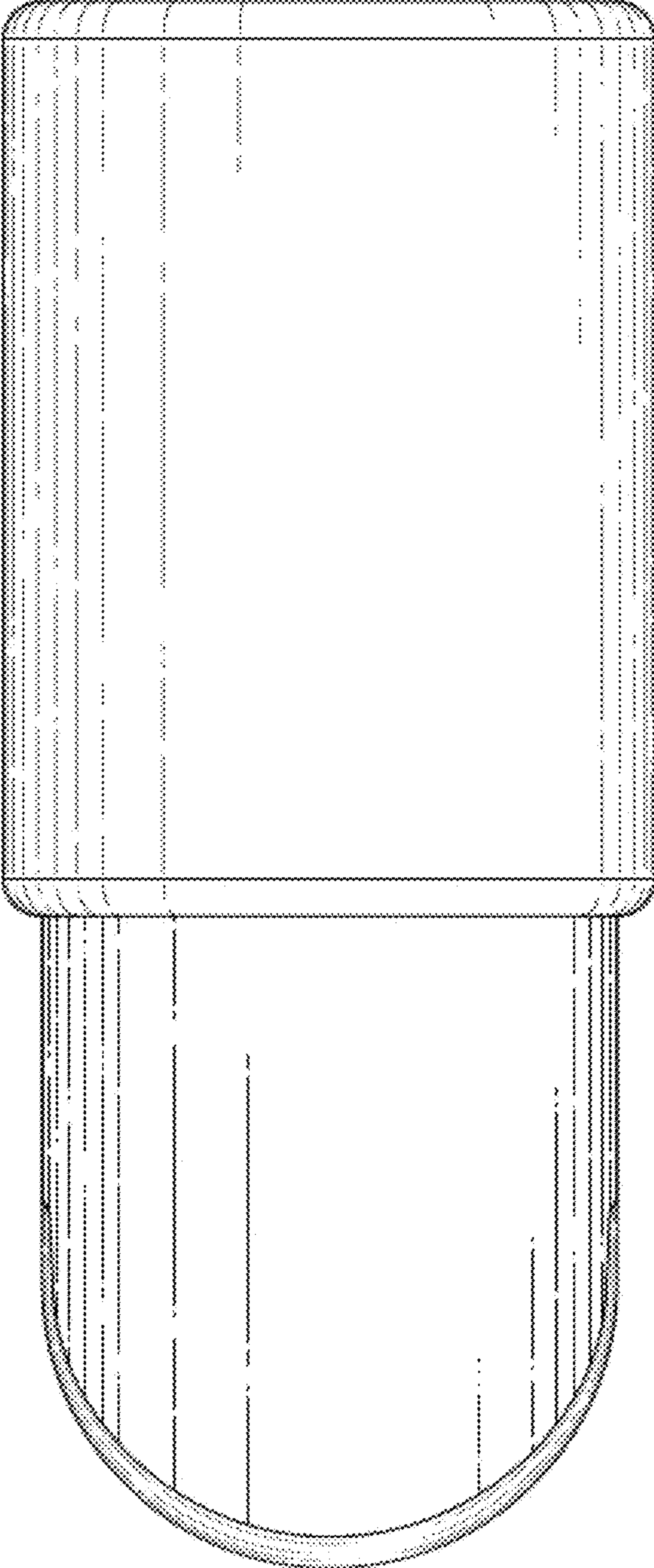


FIG. 3

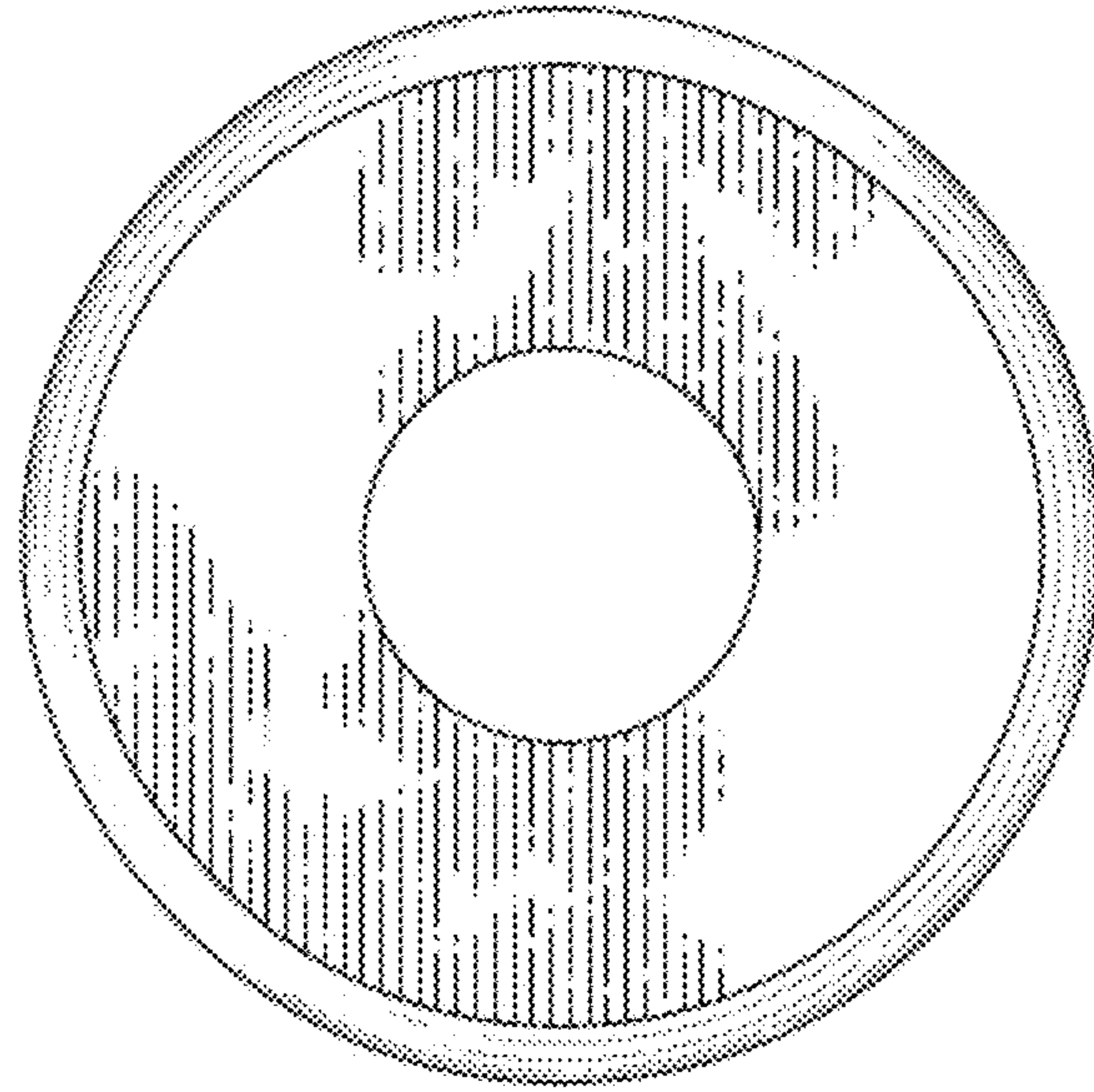


FIG. 4

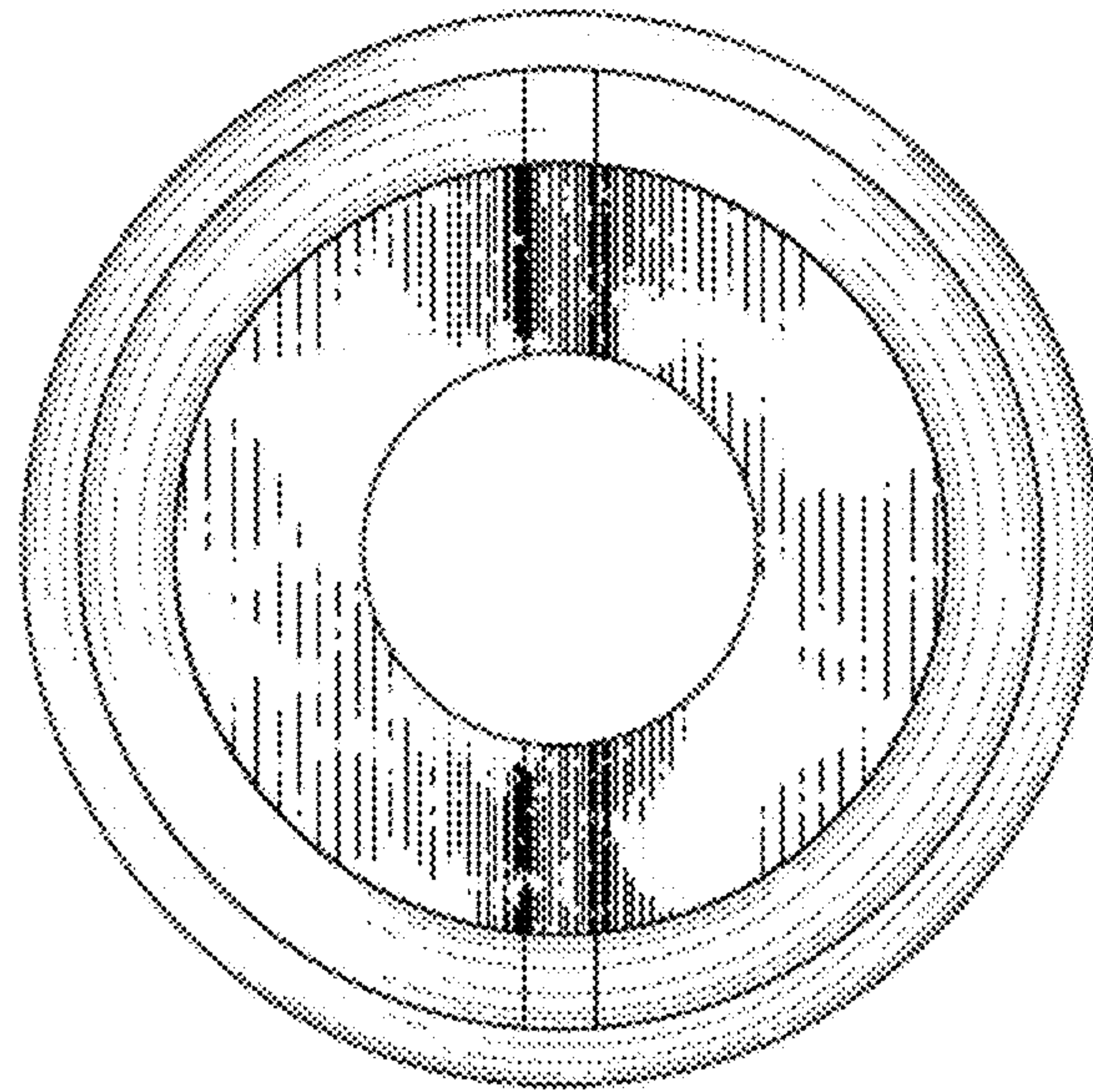


FIG. 5

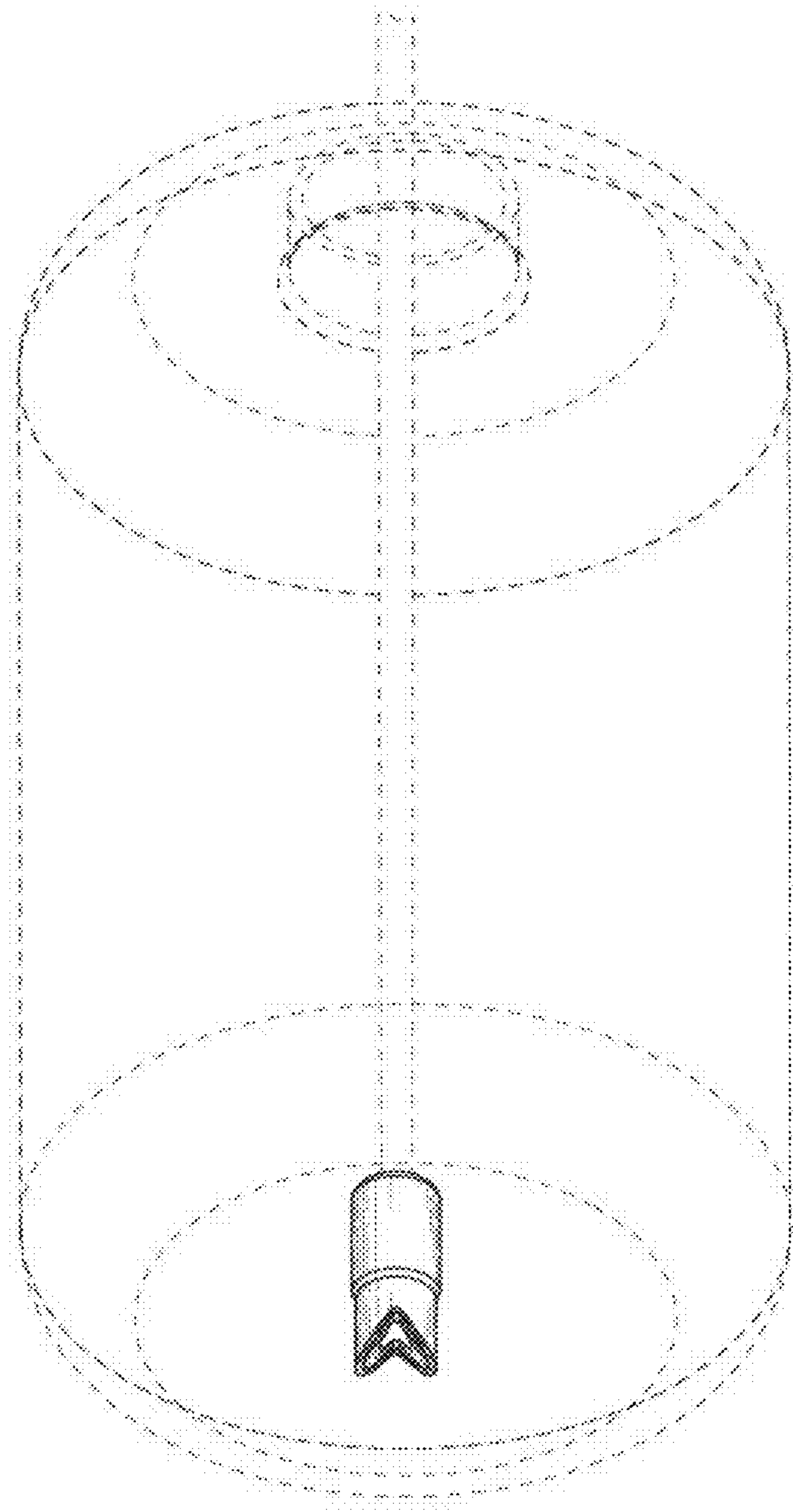


FIG. 6

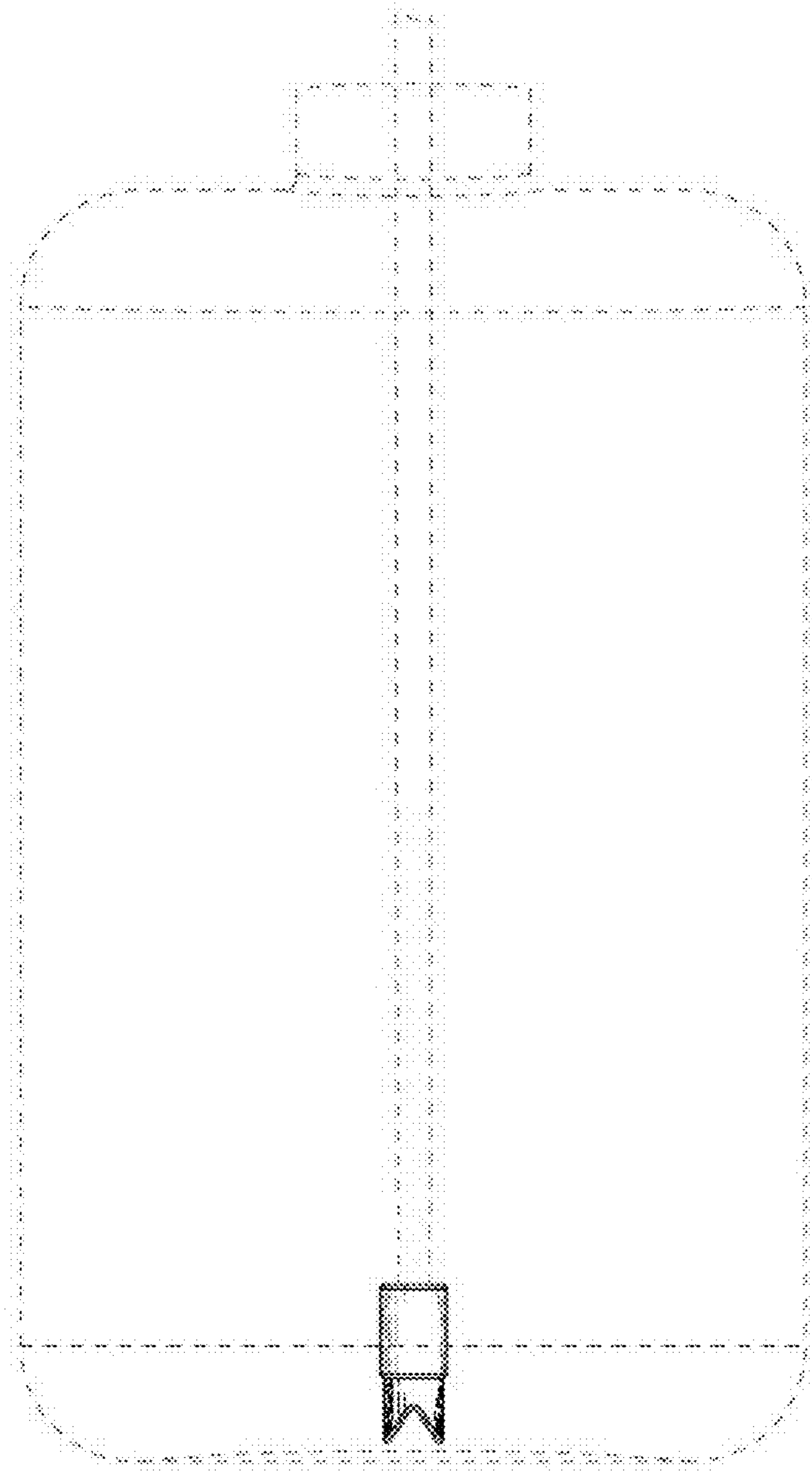


FIG. 7

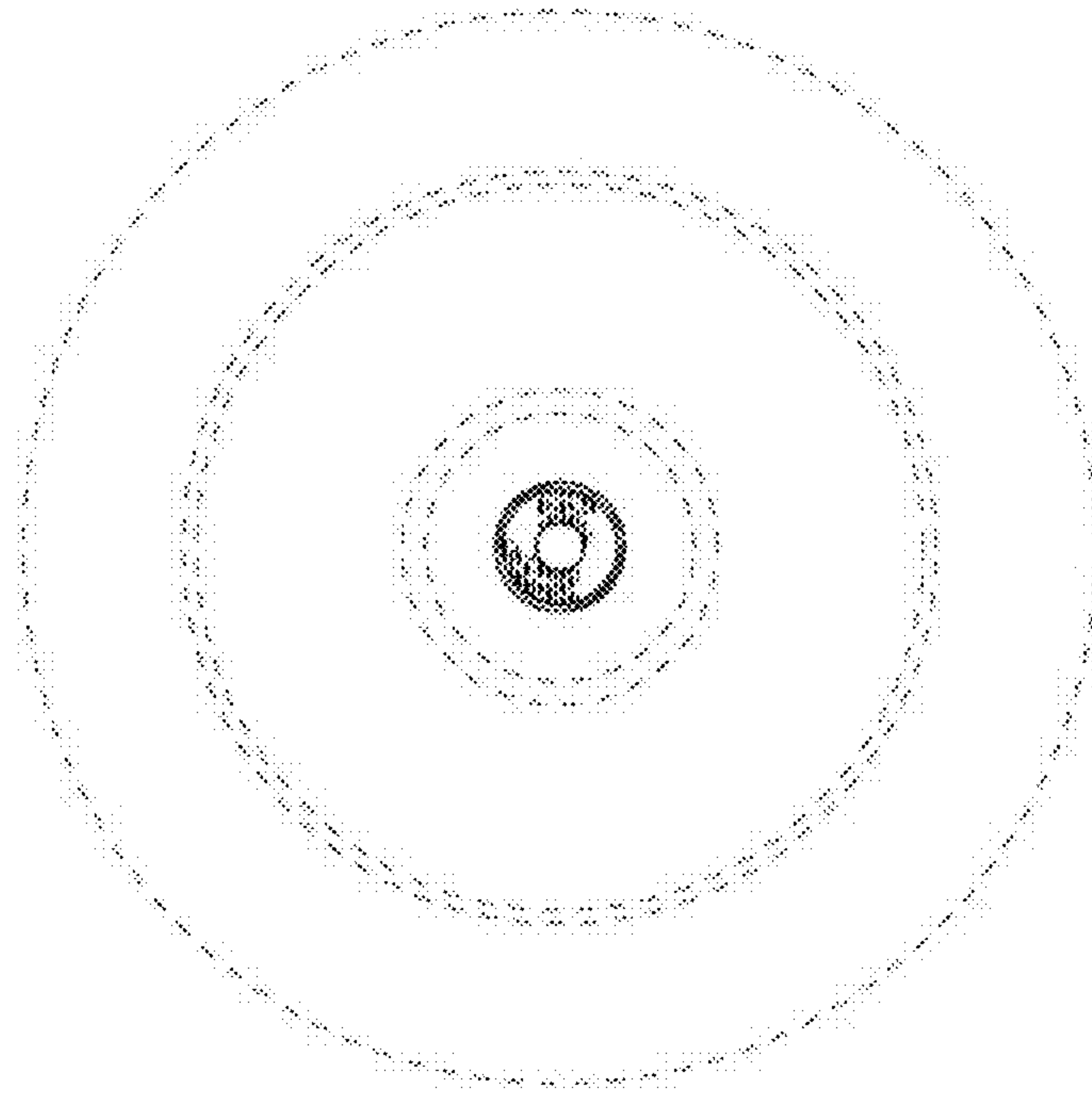


FIG. 8

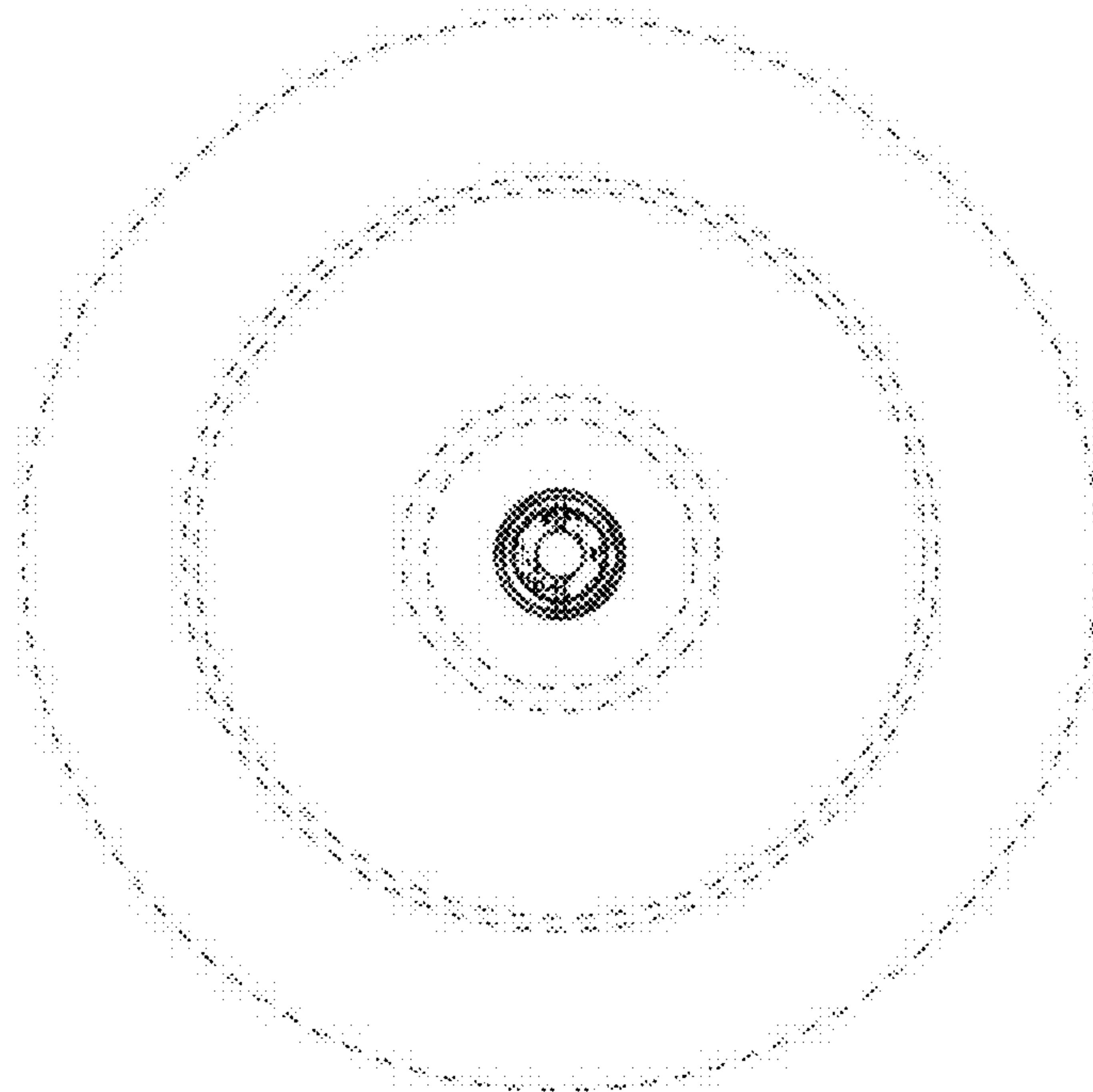


FIG. 9

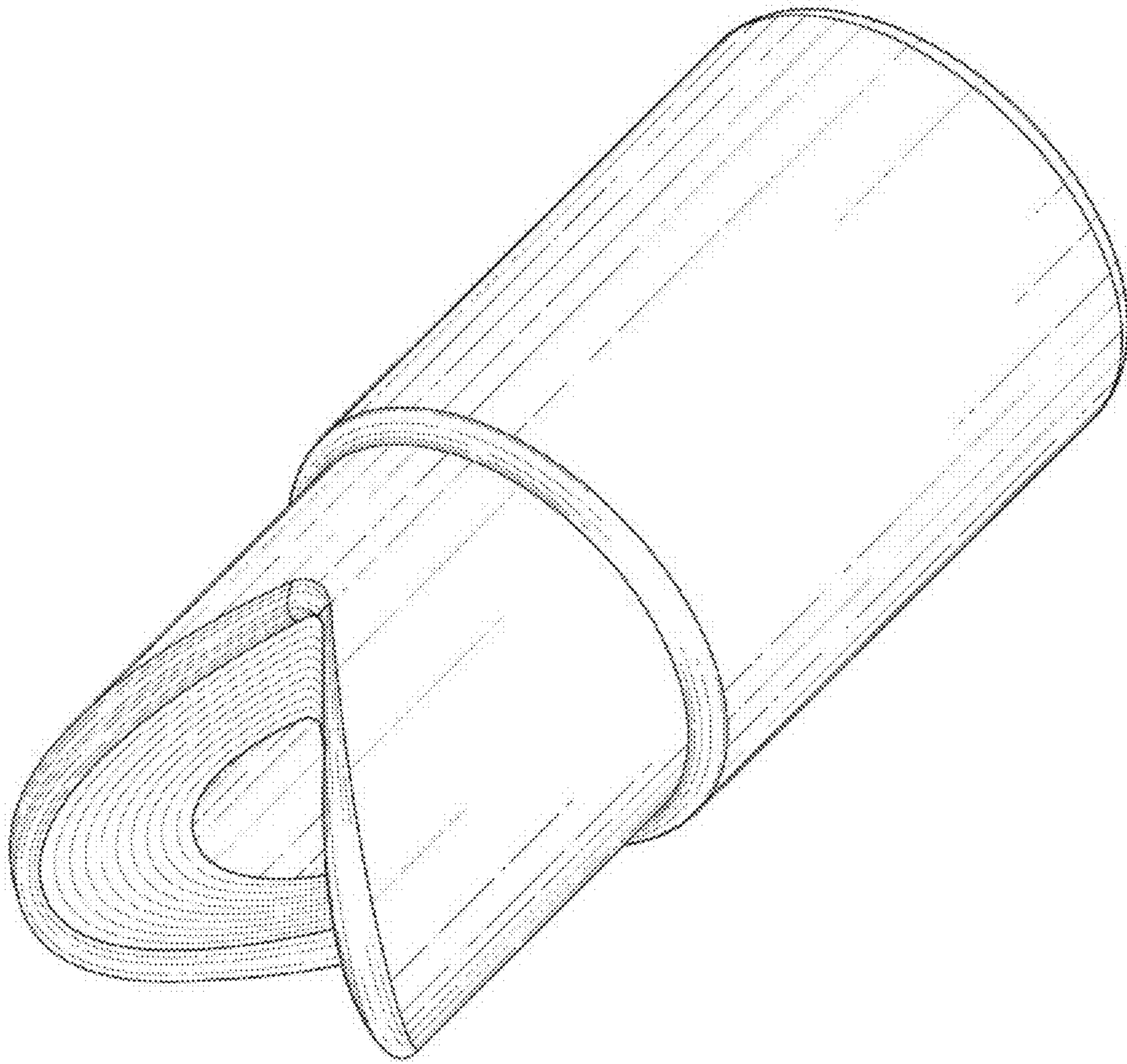


FIG. 10

UNITED STATES PATENT AND TRADEMARK OFFICE
CERTIFICATE OF CORRECTION

PATENT NO. : D749,749 S
APPLICATION NO. : 29/493647
DATED : February 16, 2016
INVENTOR(S) : Mitchell L. Snyder et al.

Page 1 of 1

It is certified that error appears in the above-identified patent and that said Letters Patent is hereby corrected as shown below:

On the Title Page

Item (73), please remove "SAINT-GOBAIN PER.PLASTICS CORPORATION," and insert therefor
--SAINT-GOBAIN PERFORMANCE PLASTICS CORPORATION--.

Signed and Sealed this
Twenty-first Day of November, 2017



Joseph Matal

*Performing the Functions and Duties of the
Under Secretary of Commerce for Intellectual Property and
Director of the United States Patent and Trademark Office*