



US00D749739S

(12) **United States Design Patent**
Kobayashi et al.

(10) **Patent No.:** **US D749,739 S**

(45) **Date of Patent:** **** Feb. 16, 2016**

(54) **BLOOD RESERVOIR**

(71) Applicant: **NIPRO CORPORATION**, Osaka-shi,
Osaka (JP)

(72) Inventors: **Susumu Kobayashi**, Osaka (JP);
Kazuhisa Ishihara, Osaka (JP); **Yuji**
Kuwahara, Osaka (JP); **Keisuke**
Hirama, Osaka (JP); **Eiichi Koiso**,
Osaka (JP); **Shunsuke Kikumoto**, Osaka
(JP); **Yukinori Ebara**, Osaka (JP);
Naoaki Yasumura, Osaka (JP)

(73) Assignee: **Nipro Corporation**, Osaka-shi (JP)

(**) Term: **14 Years**

(21) Appl. No.: **29/497,958**

(22) Filed: **Jul. 30, 2014**

(30) **Foreign Application Priority Data**

Jan. 31, 2014 (JP) 2014-002009

(51) **LOC (10) Cl.** **24-01**

(52) **U.S. Cl.**
USPC **D24/169**

(58) **Field of Classification Search**
USPC D24/107, 108, 111, 121, 169, 224;
604/4.01, 5.01, 6.01, 6.15, 6.14, 413,
604/6.09, 403; 422/44, 45, 46, 47; 210/188,
210/342, 315; 96/179; 261/DIG. 28; 435/2,
435/45, 47; 128/DIG. 3; 165/74
CPC A61M 1/3627; A61M 1/3632; A61M 1/1698
See application file for complete search history.

(56) **References Cited**

U.S. PATENT DOCUMENTS

5,049,146 A * 9/1991 Bringham A61M 1/3627
128/DIG. 3
D322,124 S * 12/1991 Lichte D24/117
D323,557 S * 1/1992 Kida D24/169

D351,909 S * 10/1994 Nogawa D24/169
5,770,073 A * 6/1998 Bach A61M 1/3627
210/436
D490,527 S * 5/2004 Ijiri D24/169
D657,444 S * 4/2012 Kobayashi D24/108
8,597,417 B2 * 12/2013 Kobayashi A61M 1/3627
95/242
2003/0175151 A1 * 9/2003 Ghelli A61M 1/3627
422/44
2011/0118648 A1 * 5/2011 Katsuno A61M 1/3632
604/6.15
2013/0017119 A1 * 1/2013 Silvestri A61M 1/3627
422/45
2013/0231601 A1 * 9/2013 Gloss A61M 1/3632
604/6.09

FOREIGN PATENT DOCUMENTS

JP 1358177 S 5/2009
JP 1358178 S 5/2009
JP 1358693 S 5/2009
JP 1358694 S 5/2009

* cited by examiner

Primary Examiner — Anhdao Doan

(74) *Attorney, Agent, or Firm* — Birch, Stewart, Kolasch &
Birch, LLP

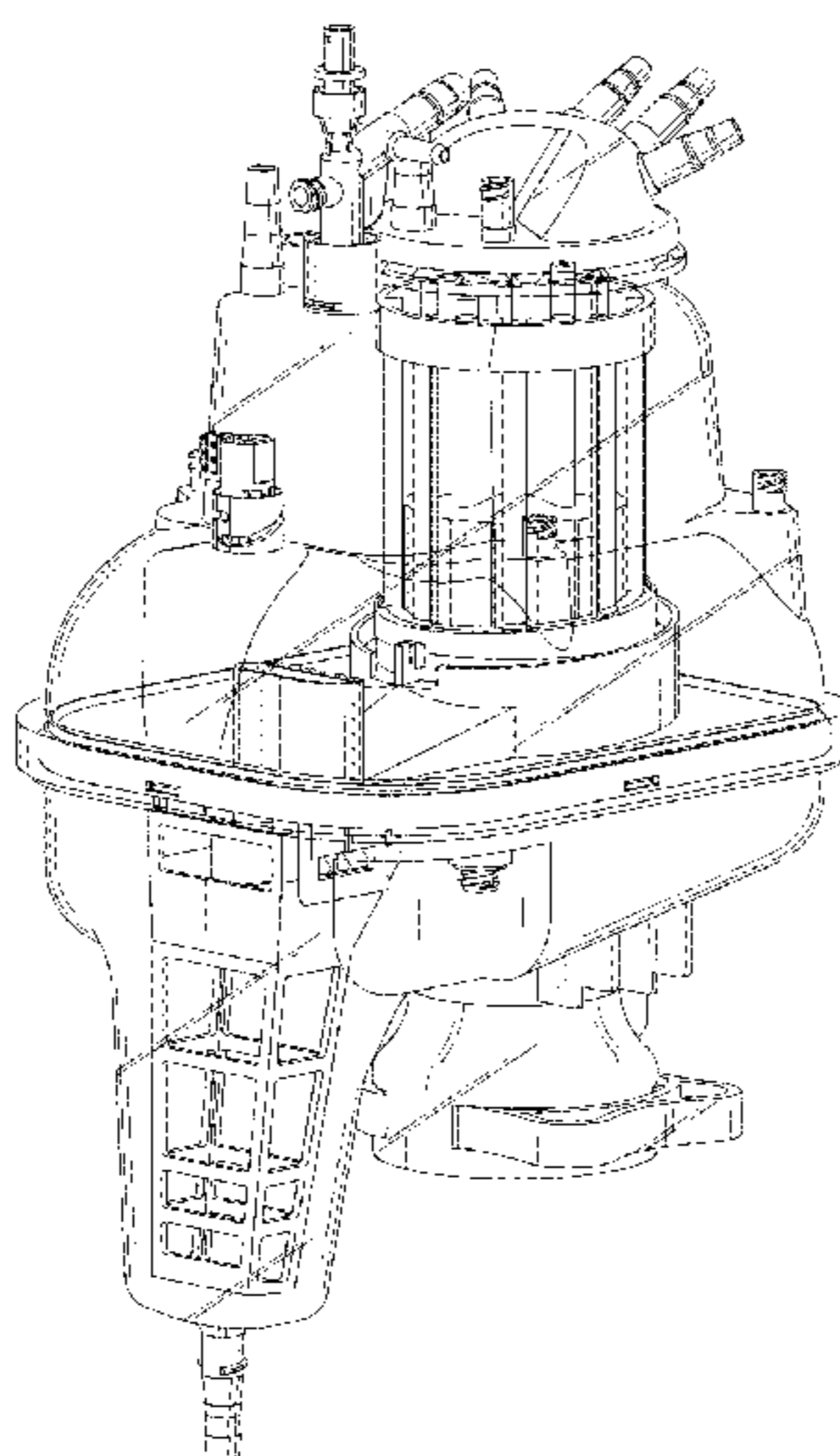
(57) **CLAIM**

The ornamental design for a blood reservoir, as shown and
described.

DESCRIPTION

FIG. 1 is a first perspective view of a blood reservoir;
FIG. 2 is a second perspective view thereof;
FIG. 3 is a front view thereof;
FIG. 4 is a rear view thereof;
FIG. 5 is a left side view thereof;
FIG. 6 is a right side view thereof;
FIG. 7 is a top view thereof; and,
FIG. 8 is a bottom view thereof.

1 Claim, 7 Drawing Sheets



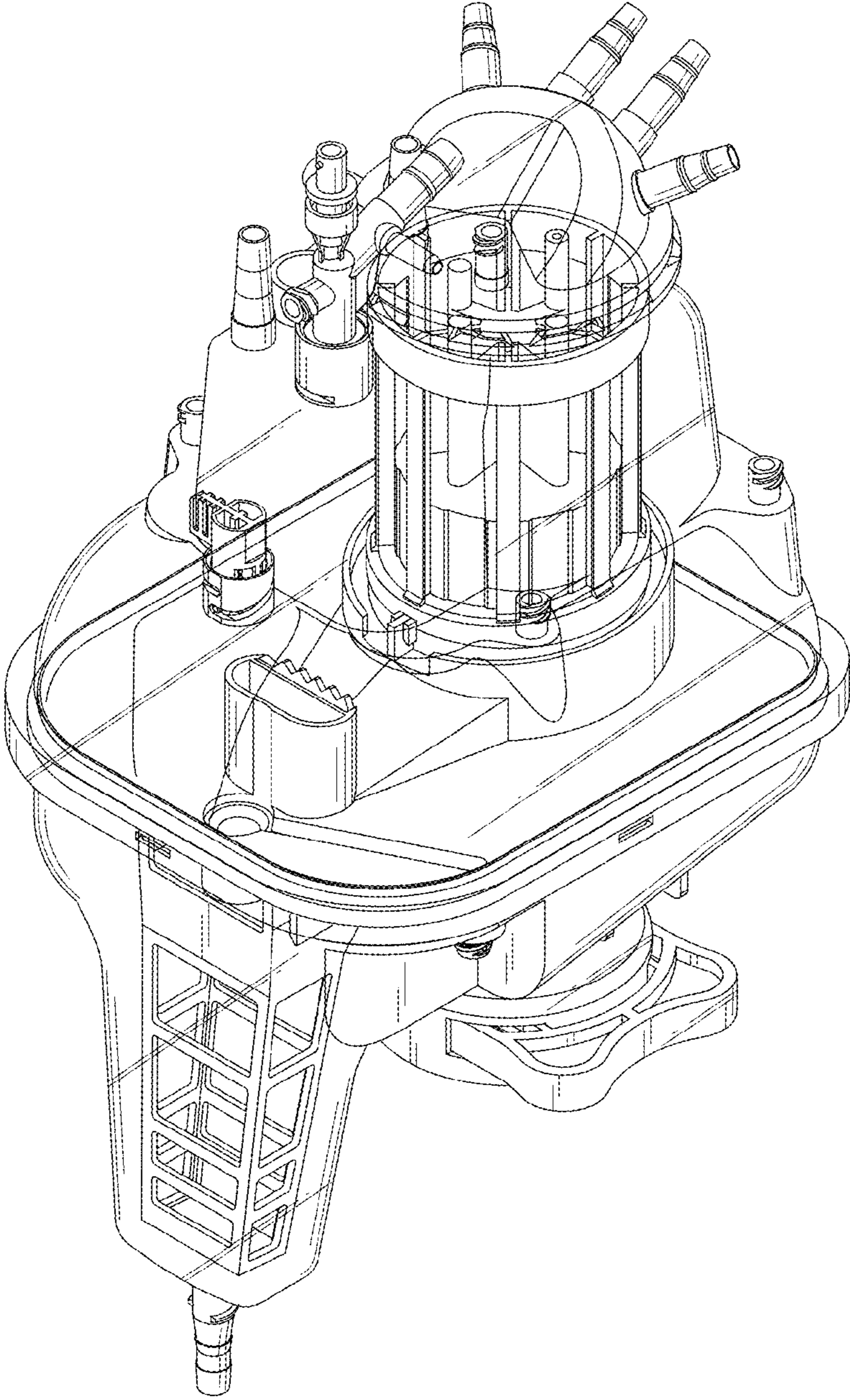


FIG.1

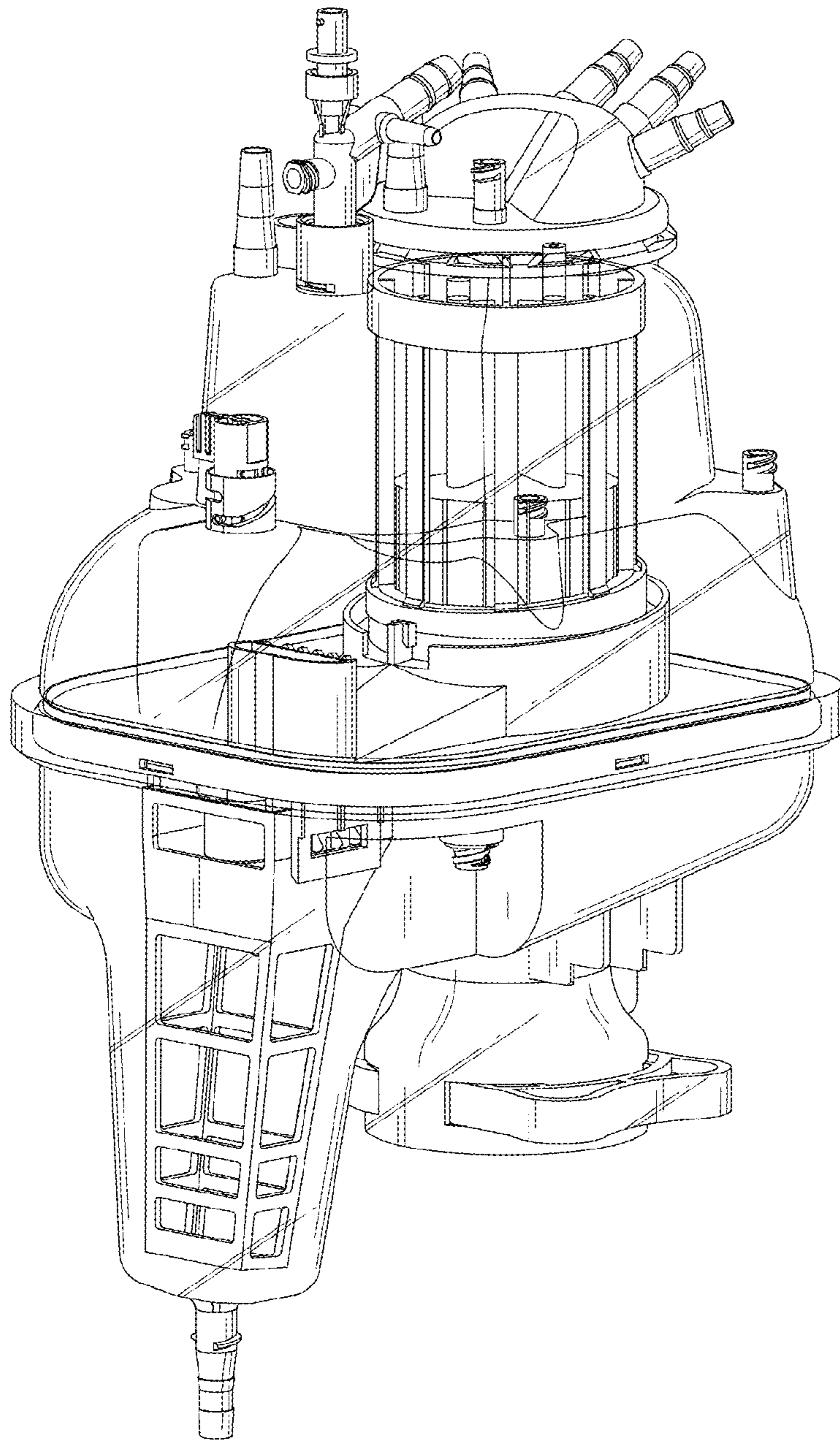


FIG.2

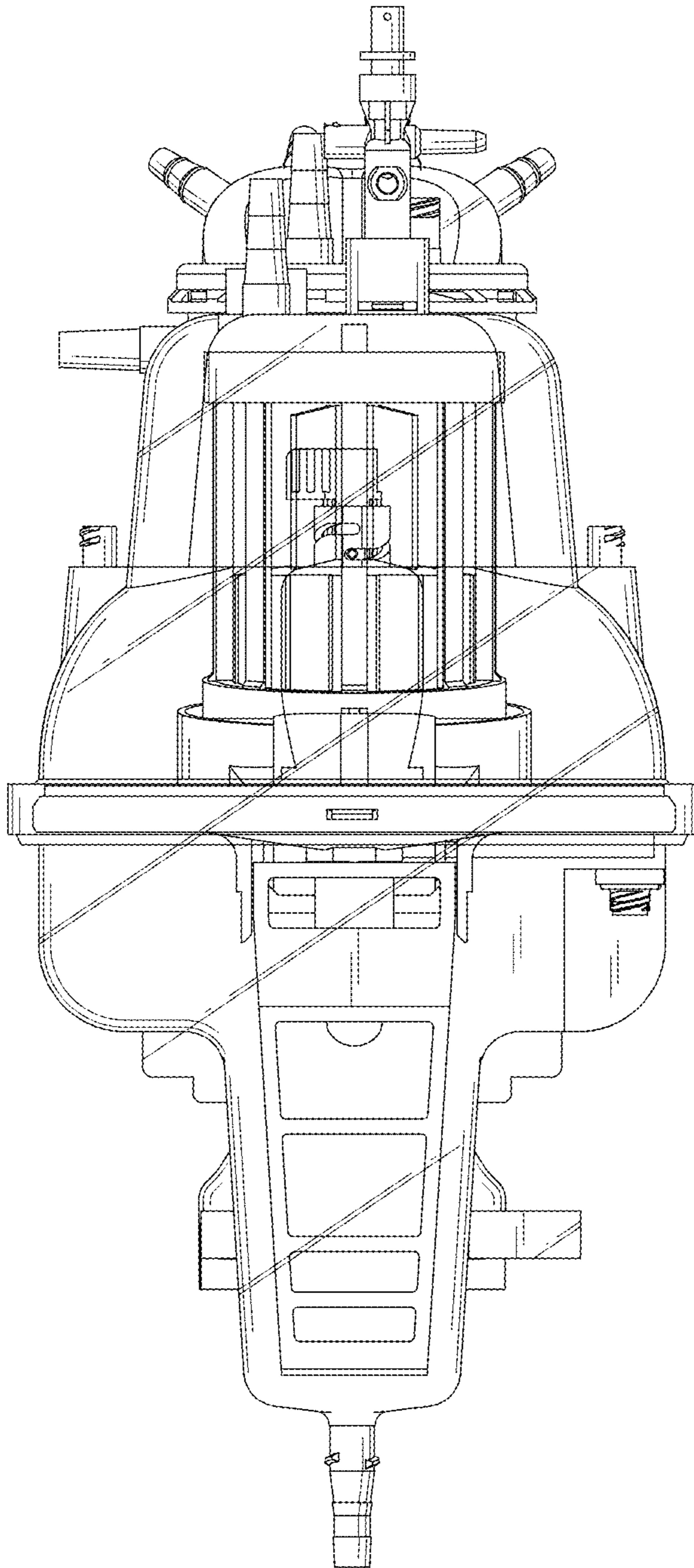


FIG.3

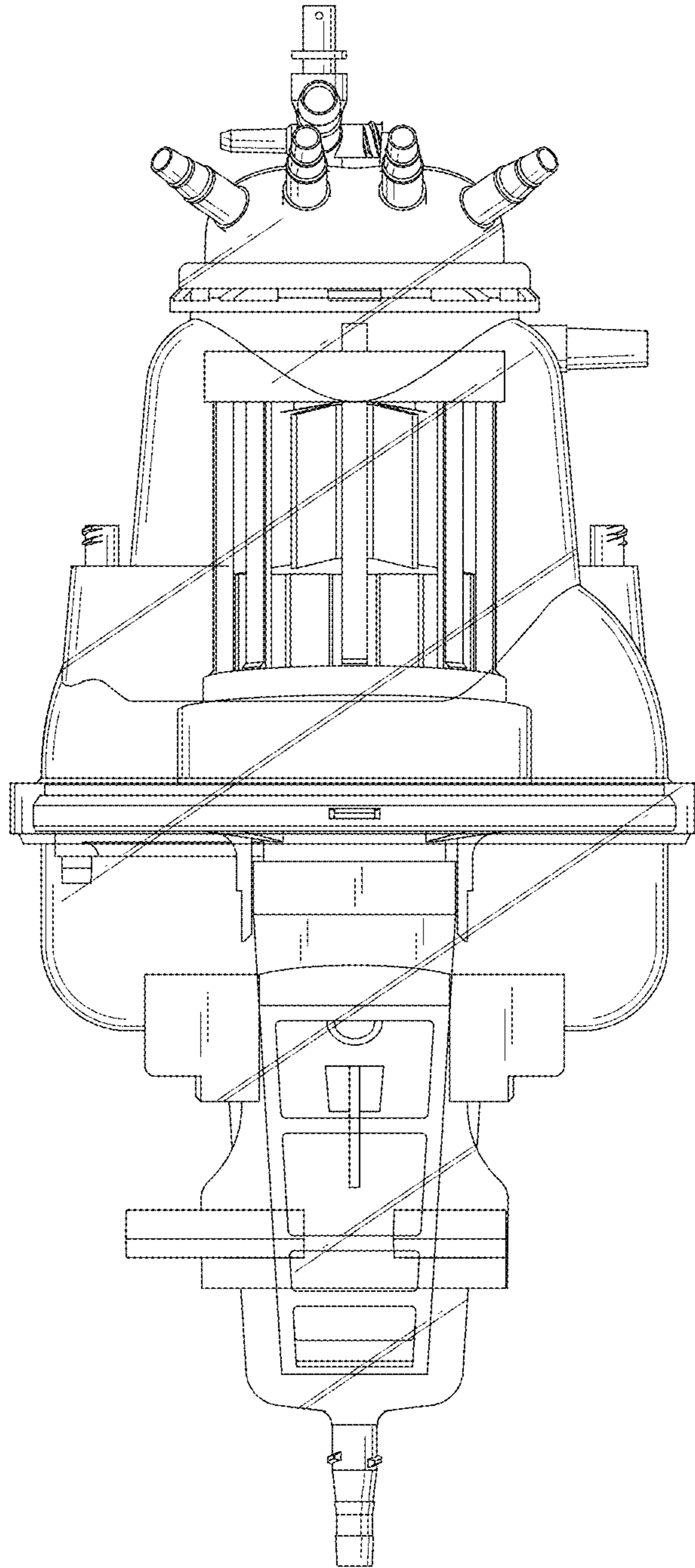


FIG.4

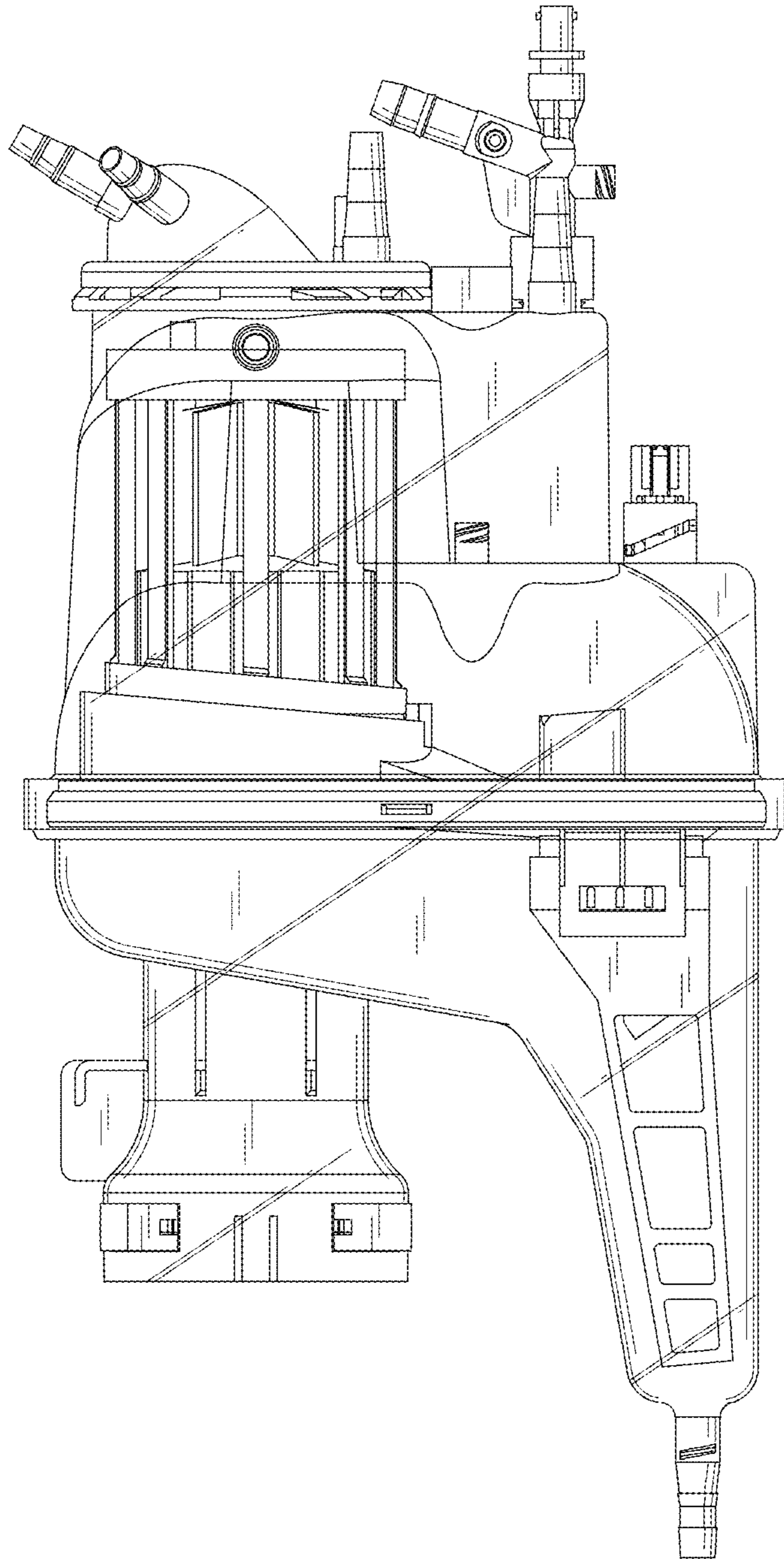


FIG.5

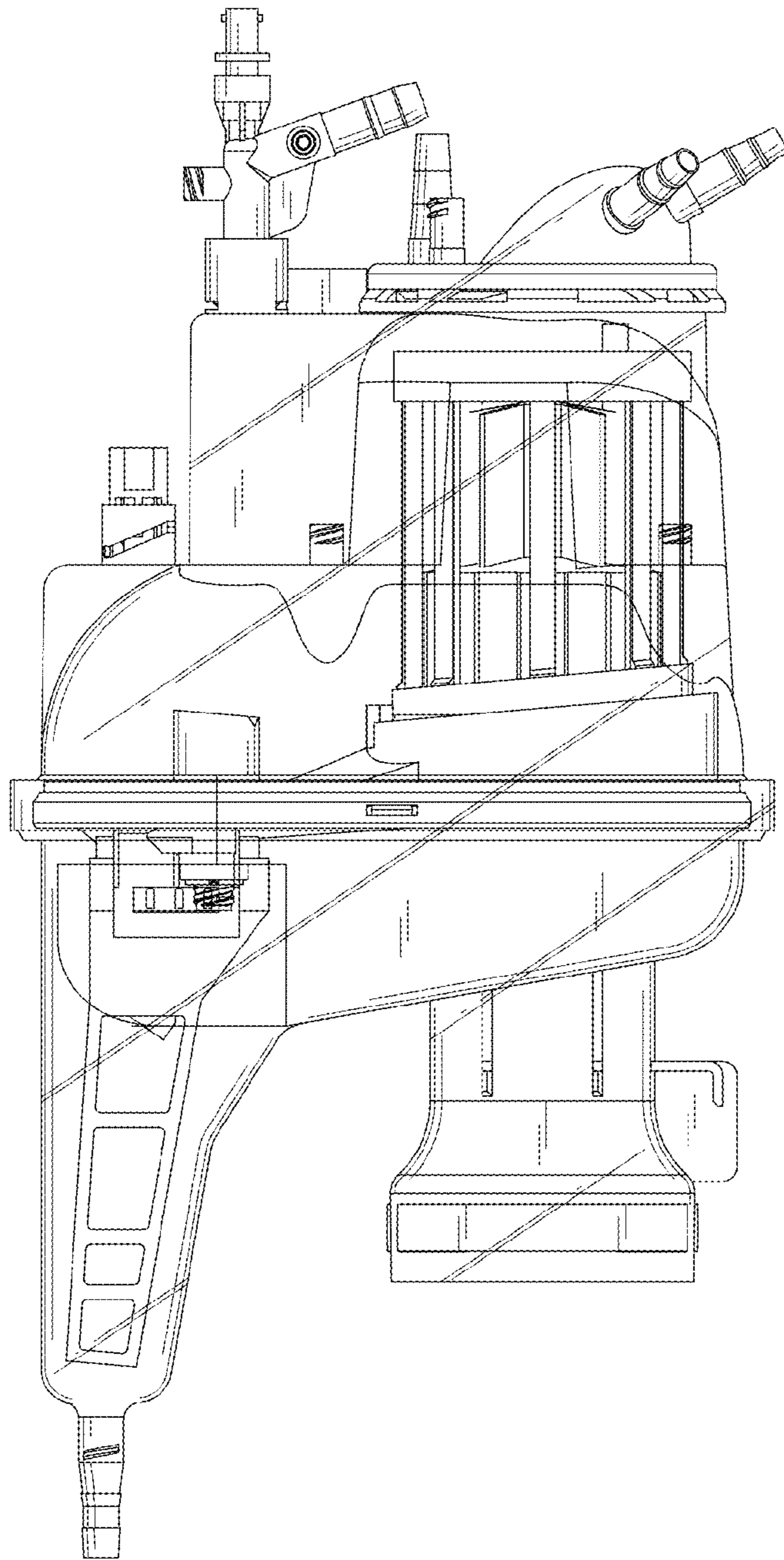


FIG.6

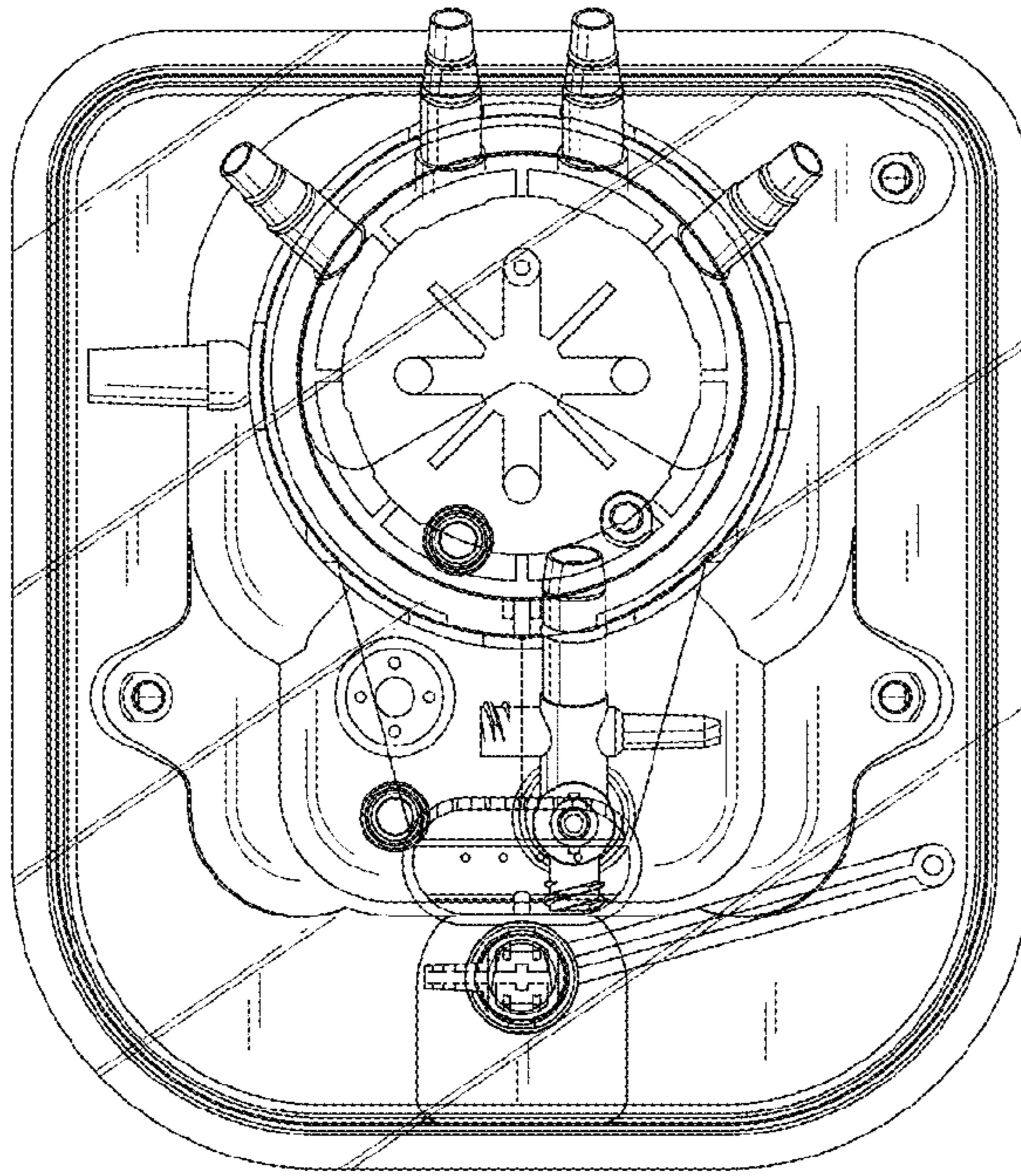


FIG. 7

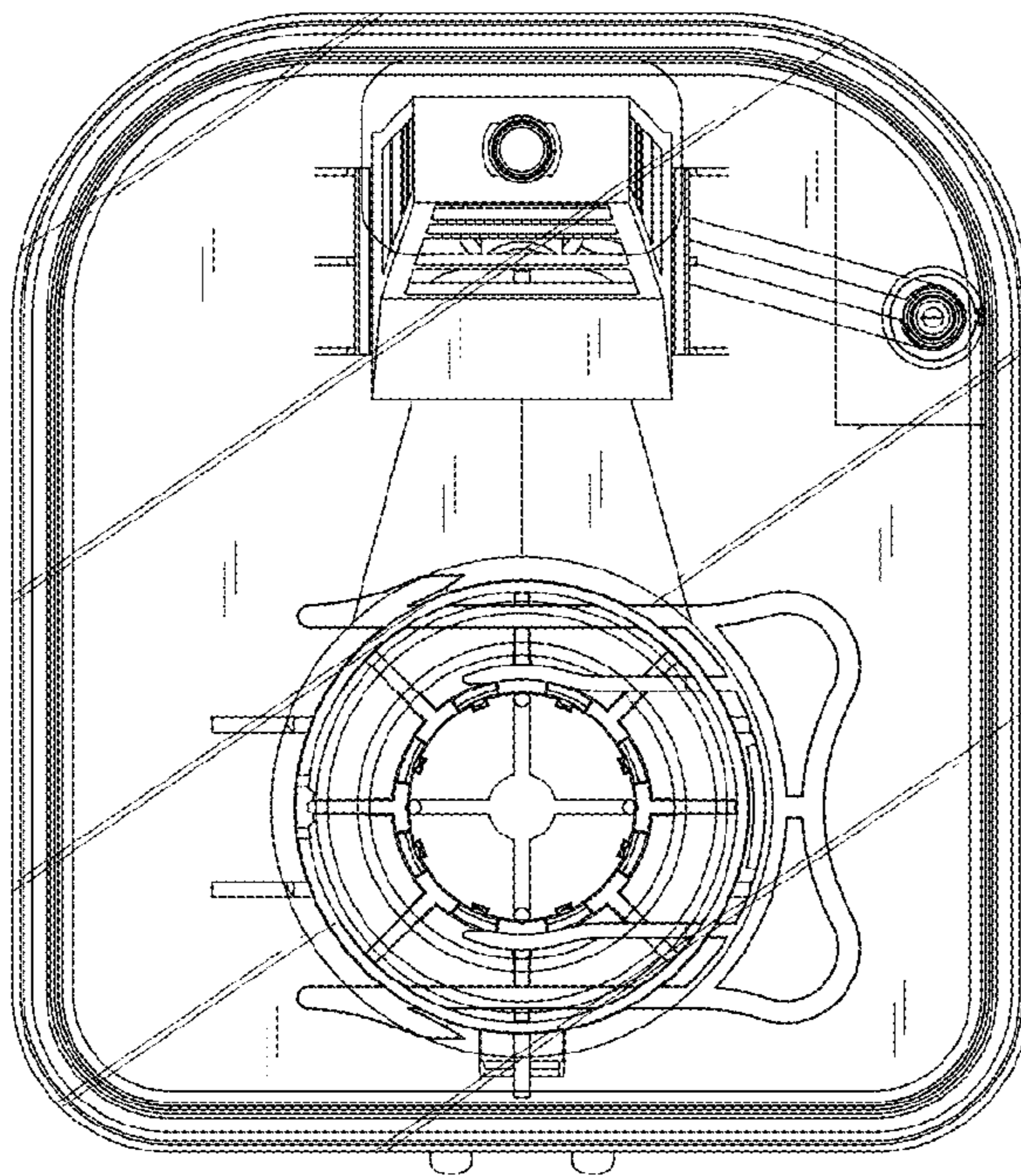


FIG. 8