

US00D749737S

(12) **United States Design Patent**
Buddemeyer

(10) **Patent No.:** **US D749,737 S**

(45) **Date of Patent:** **** Feb. 16, 2016**

(54) **HYBRID SCREW FOR ORTHODONTIC APPLIANCE**

(71) Applicant: **Darren G. Buddemeyer**, Frontenac, MO (US)

(72) Inventor: **Darren G. Buddemeyer**, Frontenac, MO (US)

(73) Assignee: **Ortho Solutions, LC**, St. Ann, MO (US)

(**) Term: **14 Years**

(21) Appl. No.: **29/463,597**

(22) Filed: **Jan. 9, 2014**

(51) **LOC (10) Cl.** **24-03**

(52) **U.S. Cl.**
USPC **D24/156**

(58) **Field of Classification Search**
USPC D24/180, 176, 155-156, 127, 129;
D8/387, 393; D23/262; 433/2-3, 125,
433/127, 173-174
CPC .. A61C 8/0089; A61C 8/0066; A61C 8/0025;
A61C 8/0096; A61C 13/2656; A61C 8/0074;
A61C 7/00; A61C 13/34

See application file for complete search history.

(56) **References Cited**

U.S. PATENT DOCUMENTS

D239,018	S	*	3/1976	Knox	D24/129
D239,021	S	*	3/1976	D'Alo	D24/129
D239,024	S	*	3/1976	D'Alo	D24/129
D399,562	S	*	10/1998	Mendoza	D24/156
D531,015	S	*	10/2006	Lin	D8/387

* cited by examiner

Primary Examiner — Wan Laymon

(74) *Attorney, Agent, or Firm* — Paul M. Denk

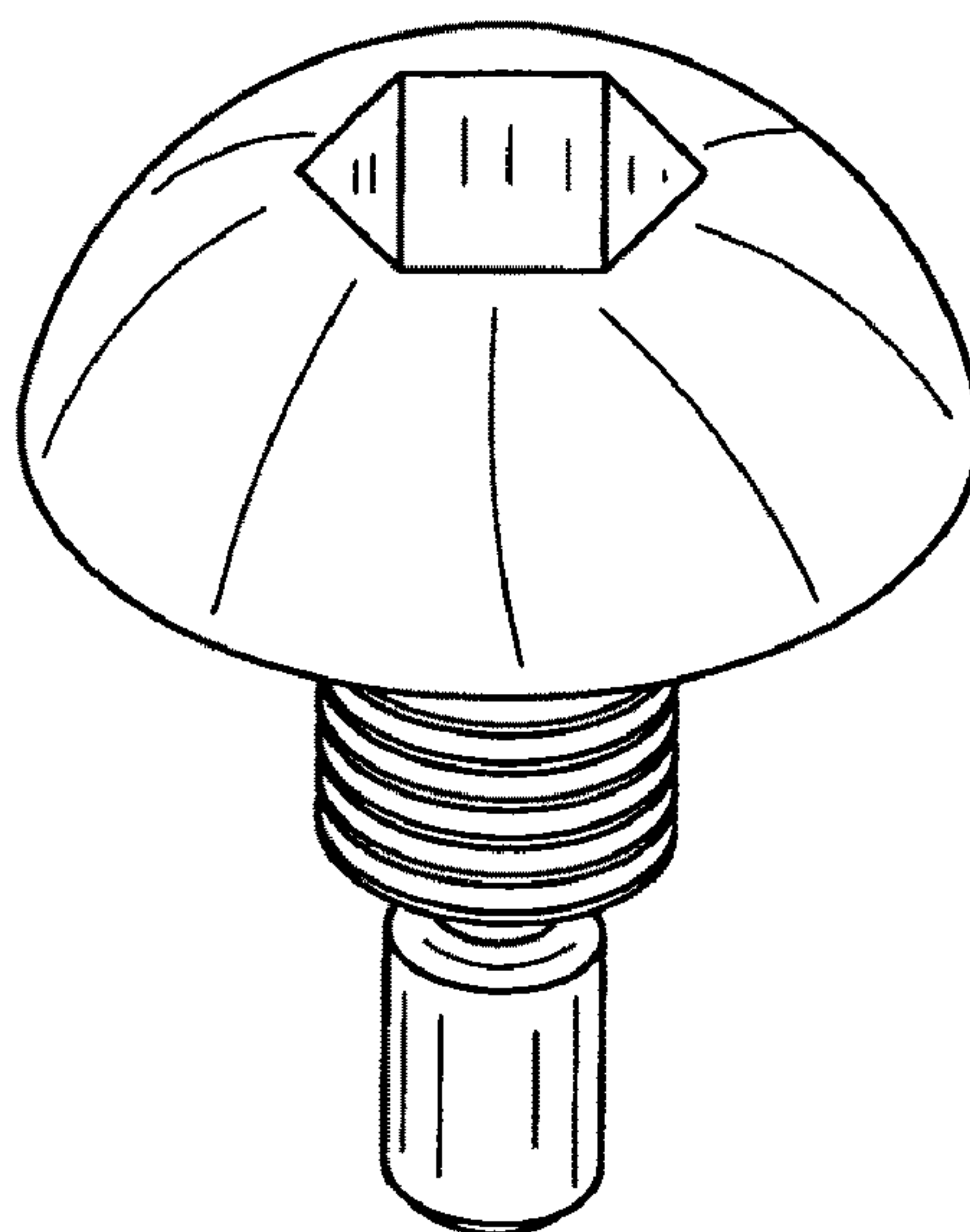
(57) **CLAIM**

The ornamental design for a hybrid screw for orthodontic appliance, as shown and described.

DESCRIPTION

FIG. 1 is a perspective view of the hybrid screw for orthodontic appliance of this invention;
FIG. 2 is a front view thereof, the back view being a mirror image thereof;
FIG. 3 is a left side view, the right side view being a mirror image thereof;
FIG. 4 is a top plan view thereof; and,
FIG. 5 is a bottom plan view thereof.

1 Claim, 1 Drawing Sheet



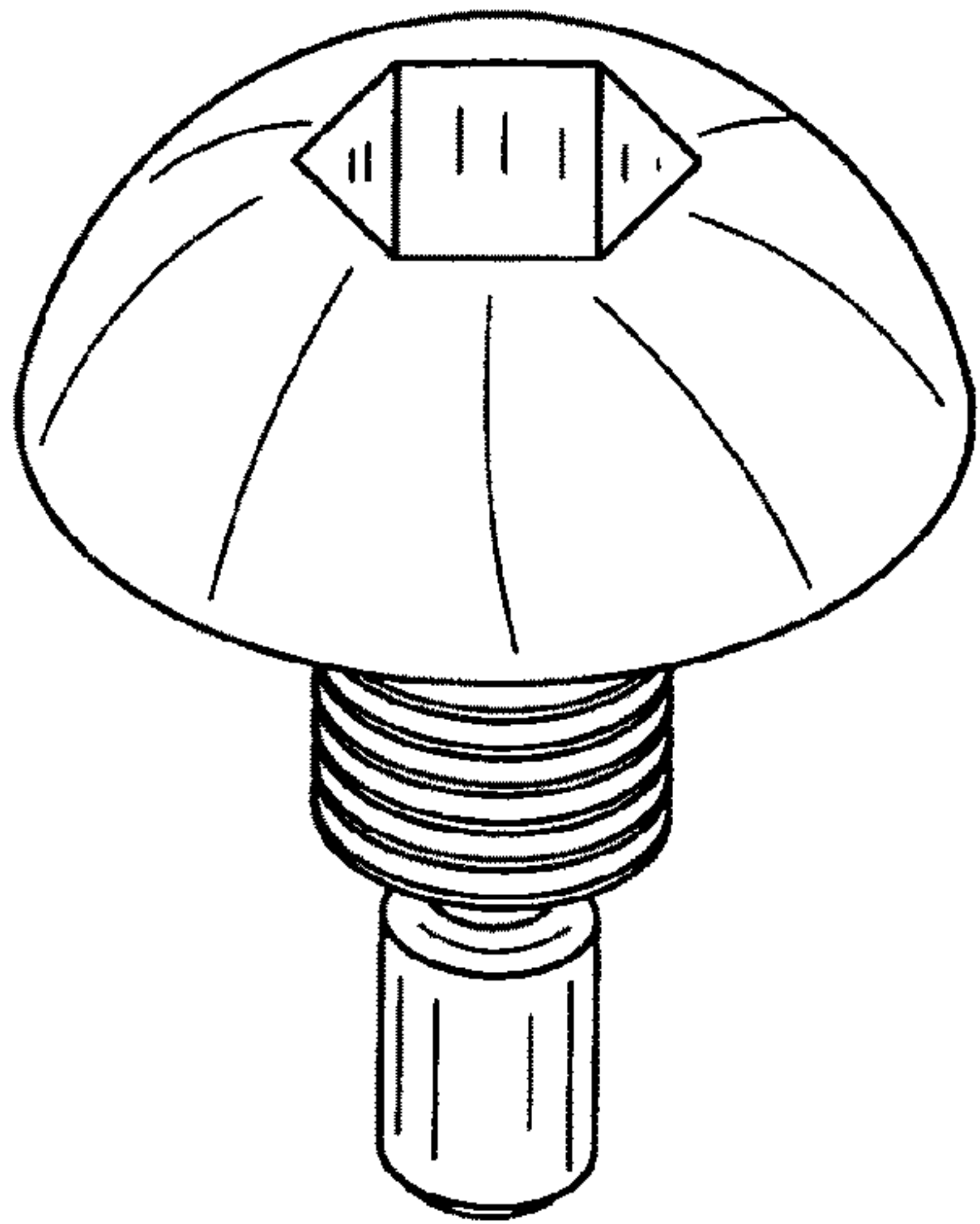


FIG. 1

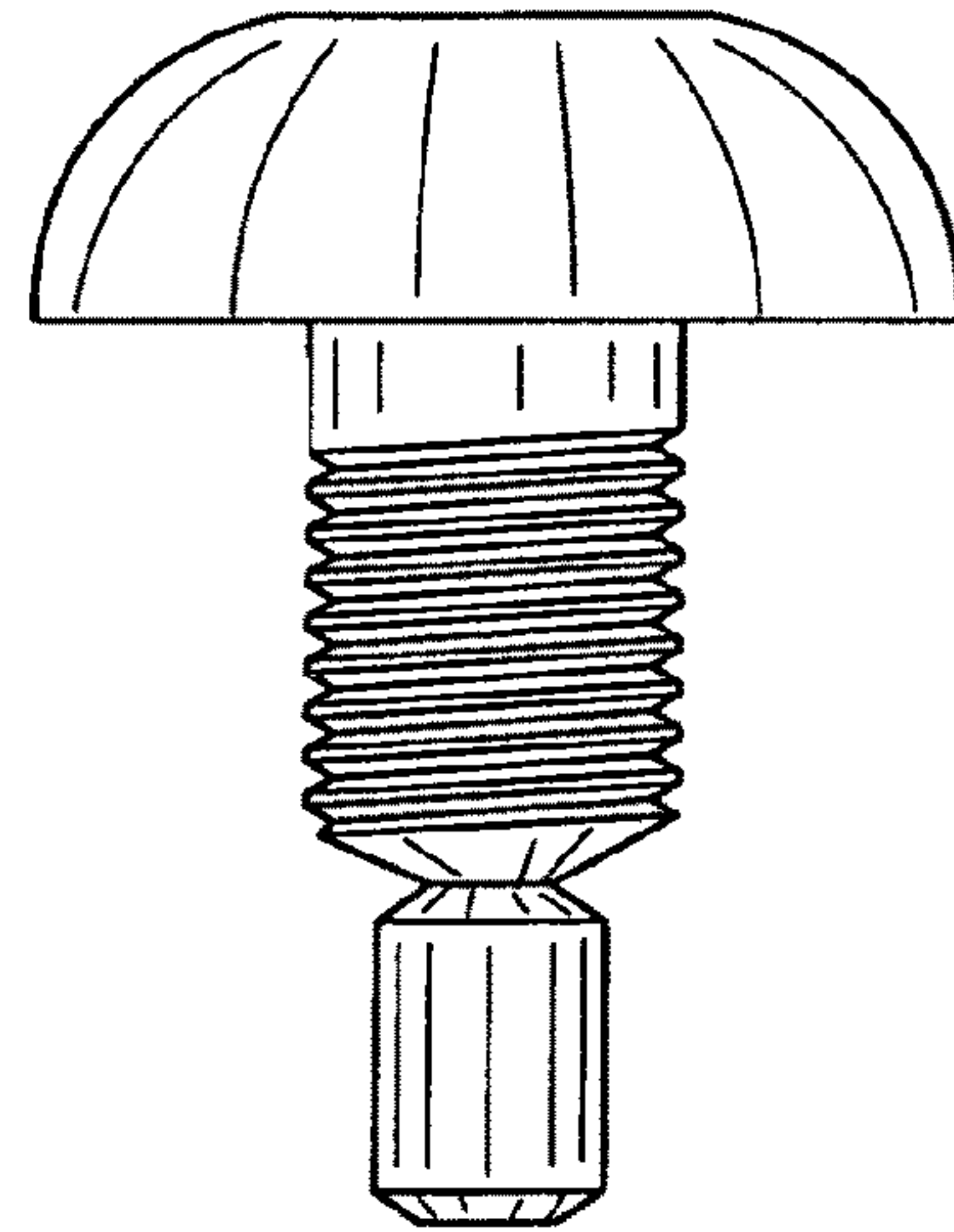


FIG. 2

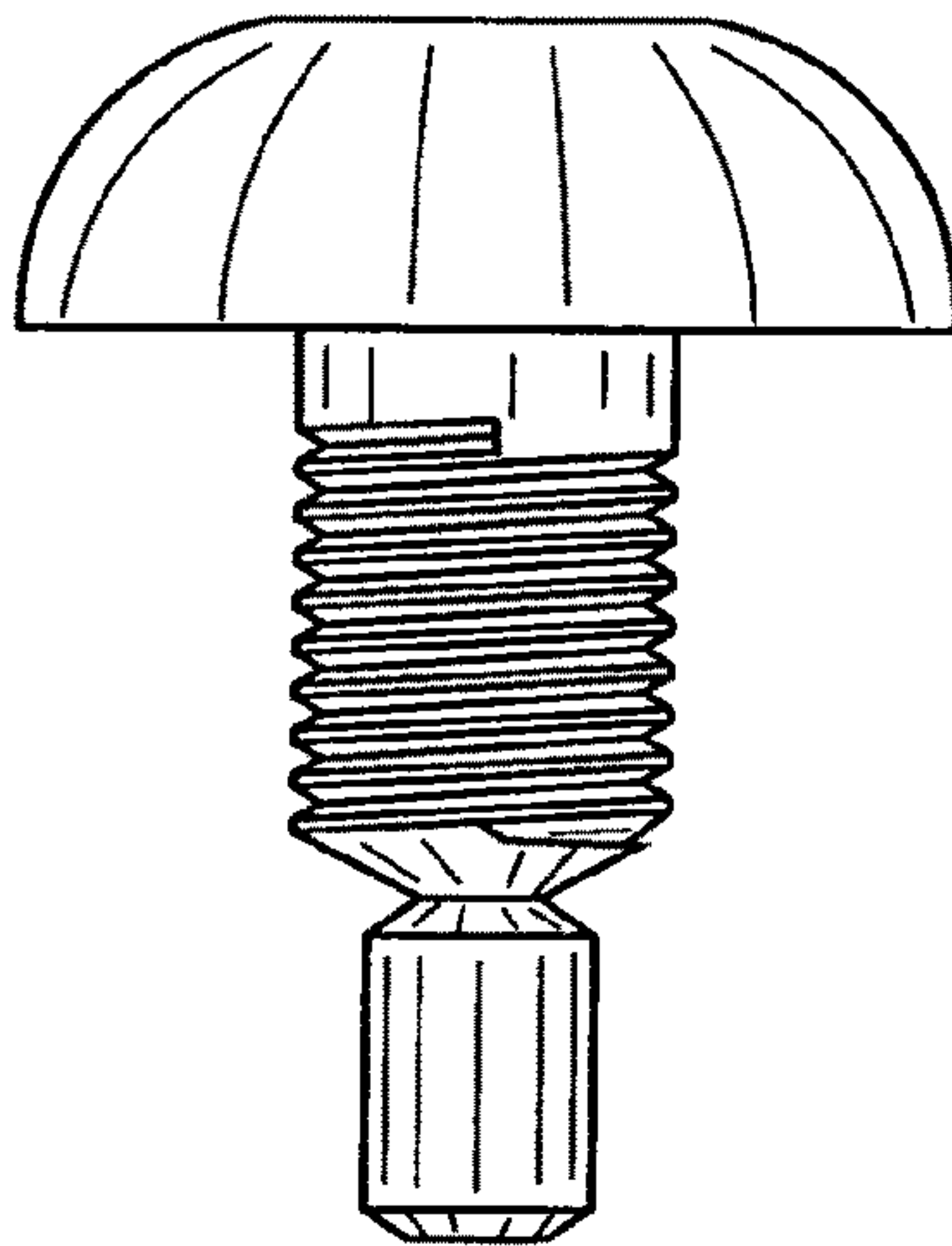


FIG. 3

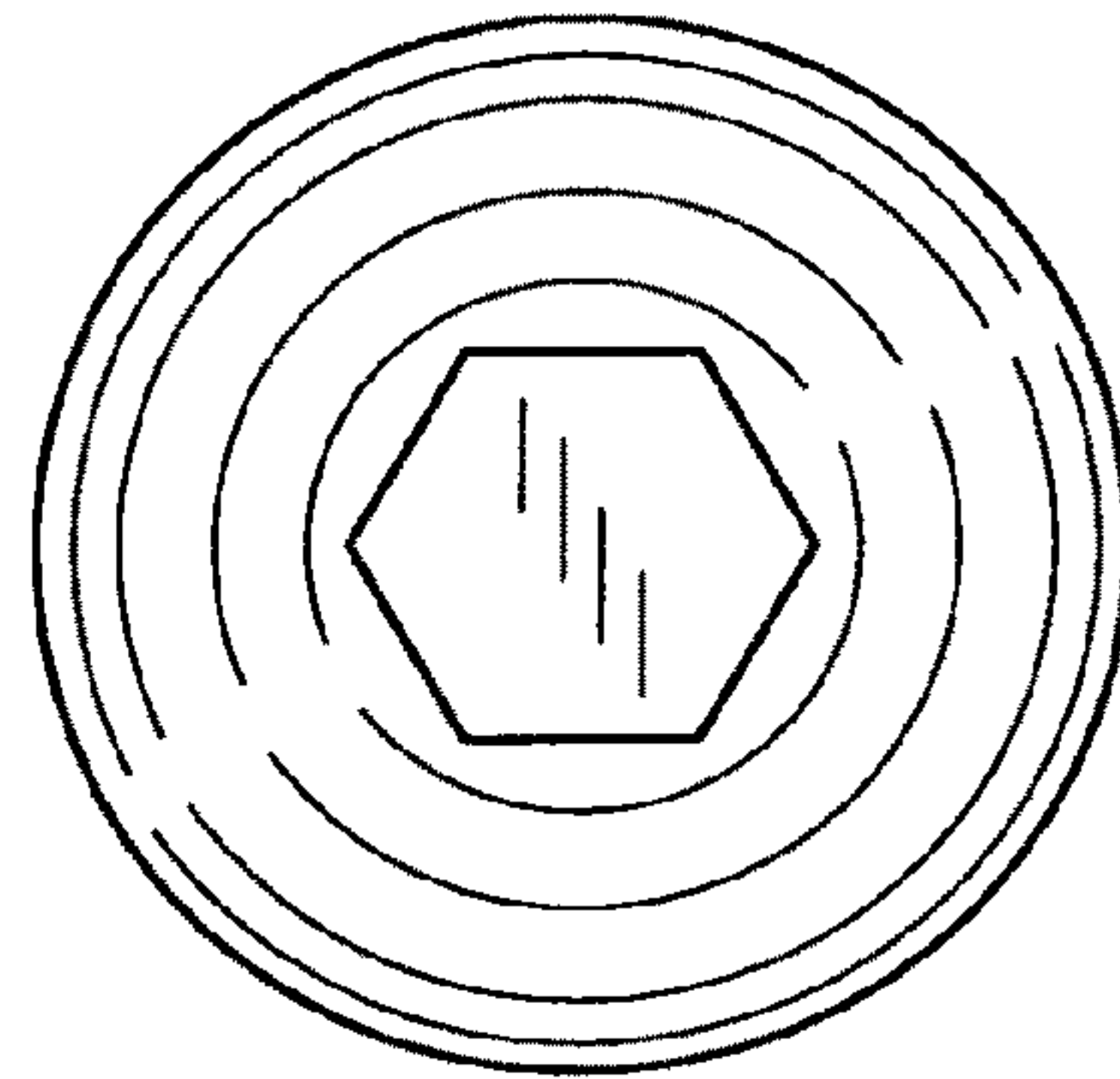


FIG. 4

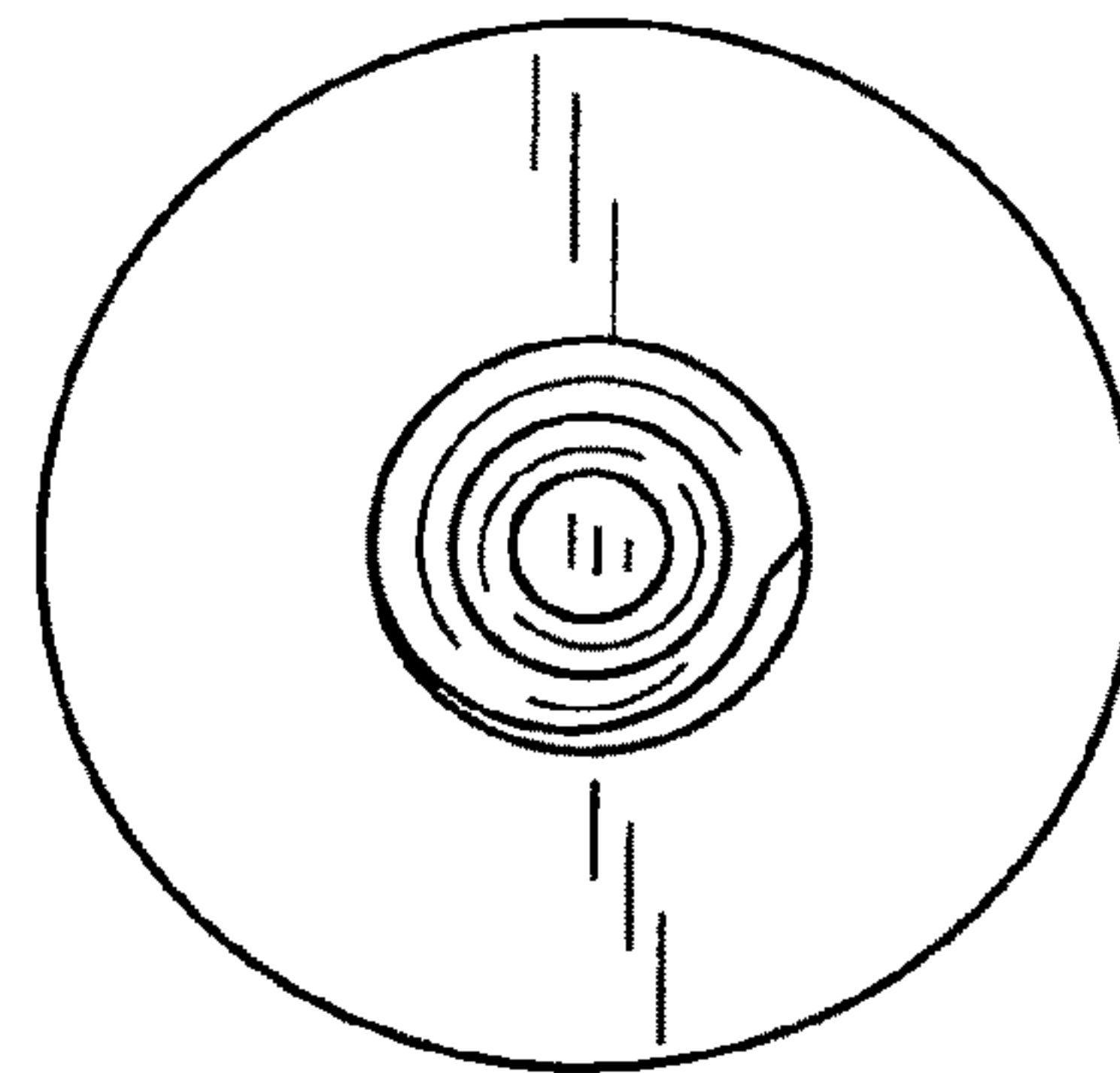


FIG. 5