



US00D749736S

(12) **United States Design Patent**  
**Hargittai et al.**

(10) **Patent No.:** **US D749,736 S**  
(45) **Date of Patent:** **\*\* Feb. 16, 2016**

(54) **PROSTHETIC DEVICE**

(71) Applicant: **Orthomed (UK) Limited**, Edgerton,  
Huddersfield (GB)

(72) Inventors: **Tamas Hargittai**, Orpington (GB);  
**Mark Cunliffe**, Huddersfield (GB)

(73) Assignee: **ORTHOMED (UK) LIMITED**,  
Edgerton, Huddersfield (GB)

(\*\*) Term: **14 Years**

(21) Appl. No.: **29/515,886**

(22) Filed: **Jan. 28, 2015**

**Related U.S. Application Data**

(63) Continuation-in-part of application No. 14/380,856,  
filed as application No. PCT/GB2013/050418 on Feb.  
21, 2013.

(30) **Foreign Application Priority Data**

Feb. 24, 2012 (GB) ..... 1203340.3

(51) **LOC (10) Cl.** ..... **24-02**

(52) **U.S. Cl.**  
USPC ..... **D24/155**

(58) **Field of Classification Search**

USPC ..... D24/155-157

CPC ..... A61B 17/8061; A61B 17/7059; A61B  
17/8052; A61B 17/8605; A61B 17/8085;  
A61B 17/809; A61B 17/8014; A61B 17/8033;  
A61B 17/8004; A61B 17/888; A61B 17/842;  
A61B 17/8023; A61B 17/8009; A61B 17/86;  
A61B 17/1739; A61B 17/8066; A61B  
17/1671; A61B 17/1757; A61B 17/8071;  
A61B 17/176; A61B 2017/1782; A61B  
2017/1775

See application file for complete search history.

(56) **References Cited**

**U.S. PATENT DOCUMENTS**

4,903,691 A \* 2/1990 Heintl ..... A61B 17/8085  
606/70

5,609,642 A 3/1997 Johnson et al.

(Continued)

**FOREIGN PATENT DOCUMENTS**

EP 1 864 629 A2 12/2007  
FR 2 440 185 A1 5/1980

(Continued)

**OTHER PUBLICATIONS**

Intellectual Property Office Search Report for Application No.  
GB1303041.6 dated Jul. 8, 2013; 1 page.

(Continued)

*Primary Examiner* — Susan Bennett Hattan

*Assistant Examiner* — Charles Hanson

(74) *Attorney, Agent, or Firm* — Howard & Howard  
Attorneys PLLC

(57) **CLAIM**

The ornamental design for a prosthetic device, as shown and  
described.

**DESCRIPTION**

FIG. 1 is a perspective view of an embodiment of a prosthetic  
device.

FIG. 2 is a front elevational view of the prosthetic device of  
FIG. 1.

FIG. 3 is rear elevational view of the prosthetic device of FIG.  
1.

FIG. 4 is a right side elevational view of the prosthetic device  
of FIG. 1.

FIG. 5 is a left side elevational view of the prosthetic device of  
FIG. 1.

FIG. 6 is top plan view of the prosthetic device of FIG. 1.

FIG. 7 is a bottom plan view of the prosthetic device of FIG.  
1.

FIG. 8 is a perspective view of another embodiment of a  
prosthetic device.

FIG. 9 is a front elevational view of the prosthetic device of  
FIG. 8.

FIG. 10 is rear elevational view of the prosthetic device of  
FIG. 8.

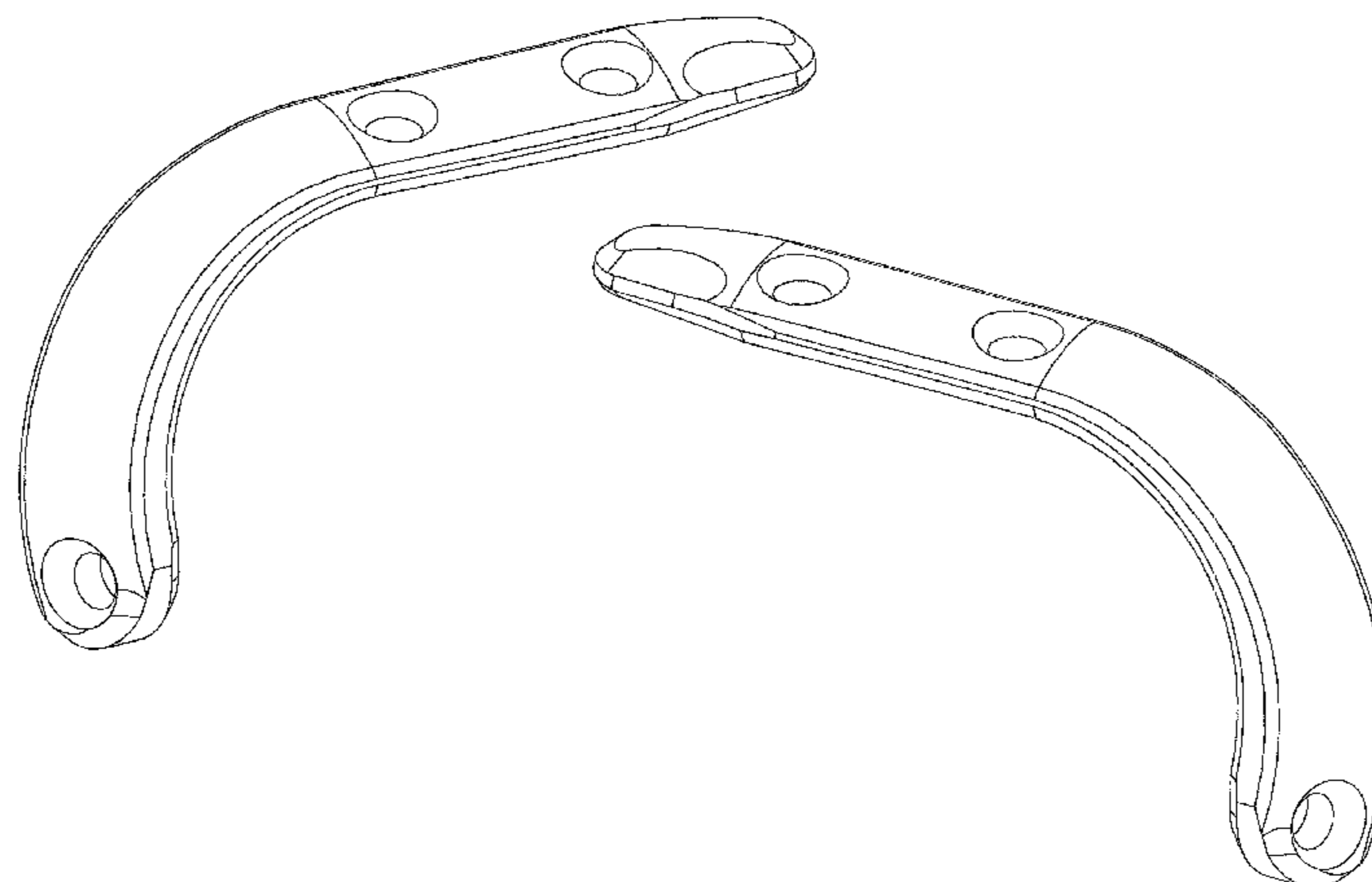
FIG. 11 is a right side elevational view of the prosthetic device  
of FIG. 8.

FIG. 12 is a left side elevational view of the prosthetic device  
of FIG. 8.

FIG. 13 is top plan view of the prosthetic device of FIG. 8;  
and,

FIG. 14 is a bottom plan view of the prosthetic device of FIG.  
8.

**1 Claim, 14 Drawing Sheets**



(56)

**References Cited**

U.S. PATENT DOCUMENTS

5,690,631 A \* 11/1997 Duncan ..... A61B 17/8085  
606/281  
6,171,340 B1 1/2001 McDowell  
D469,875 S \* 2/2003 Bryant ..... D24/155  
D480,141 S \* 9/2003 Benirschke ..... D24/155  
7,229,445 B2 \* 6/2007 Hayeck ..... A61B 17/74  
606/70  
7,846,189 B2 \* 12/2010 Winquist ..... A61B 17/8085  
606/280  
D648,027 S \* 11/2011 Vancelette ..... D24/155  
D735,861 S \* 8/2015 Embleton ..... D24/155  
2006/0167459 A1 7/2006 Groiso  
2008/0195149 A1 8/2008 Burke  
2010/0121389 A1 5/2010 Librot et al.  
2010/0131065 A1 5/2010 Burke

FOREIGN PATENT DOCUMENTS

FR 2 682 589 A1 4/1993  
GB 2 137 098 A 10/1984  
GB 2 414 674 A 12/2005  
GB 2 449 334 A 11/2008

KR 2007 0060623 A 6/2007  
WO WO 02 17803 A2 3/2002  
WO WO 2007 044391 A2 4/2007

OTHER PUBLICATIONS

E.W. Winstanley and L.N. Gleeson, "Prosthetic trochlear ridge for treatment of patellar luxation in a calf", Journal of the American Veterinary Association, vol. 164, Issue 8, Apr. 1974, pp. 807-808, U.S. National Library of Medicine Accession; 3 pages.  
Intellectual Property Office Search Report for Application No. GB1303041.6 dated Sep. 16, 2013; 1 page.  
Patent Cooperation Treaty International Search Report for Application No. PCT/GB2013/050418 dated Jul. 29, 2013; 6 pages.  
English language abstract and machine-assisted English language translation of FR 2 440 185 A1 extracted from on www.espacenet.com on Oct. 13, 2014; 8 pages.  
English language abstract and machine-assisted English language translation of FR 2 682 589 A1 extracted from on www.espacenet.com on Oct. 13, 2014; 5 pages.  
English language abstract and machine-assisted English language translation of KR 2007 0060623 A extracted from on www.espacenet.com on Oct. 13, 2014; 5 pages.

\* cited by examiner

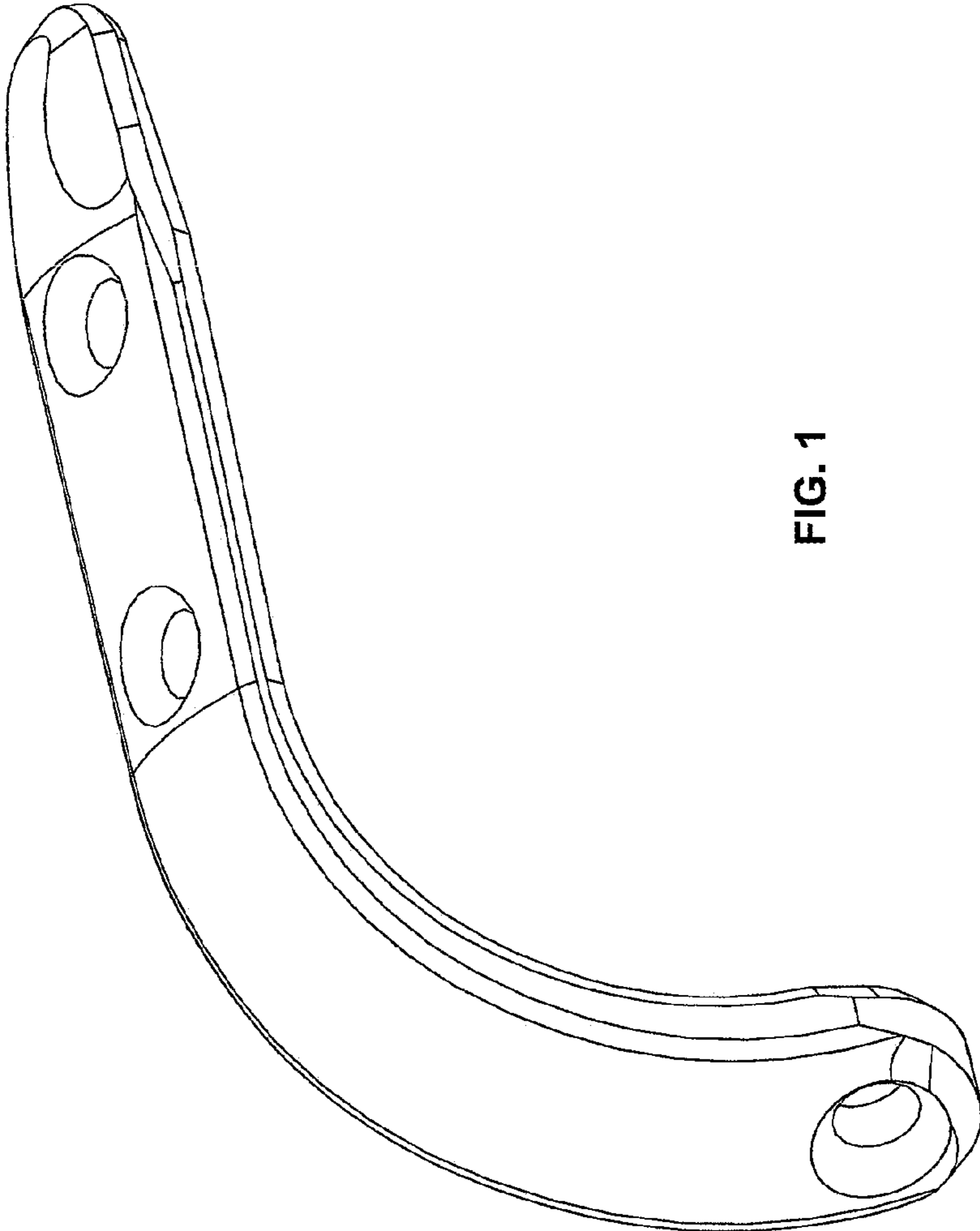


FIG. 1

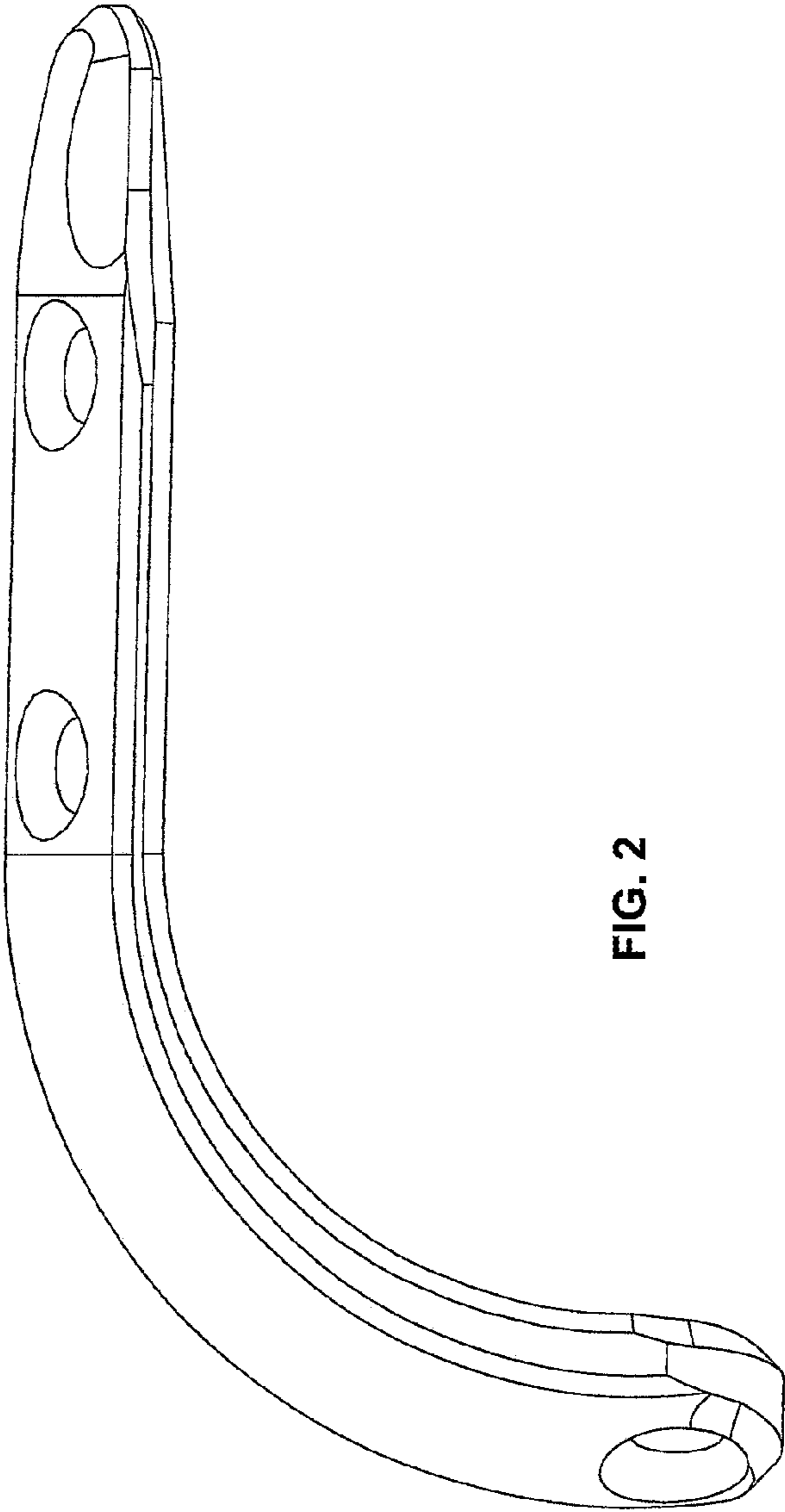


FIG. 2

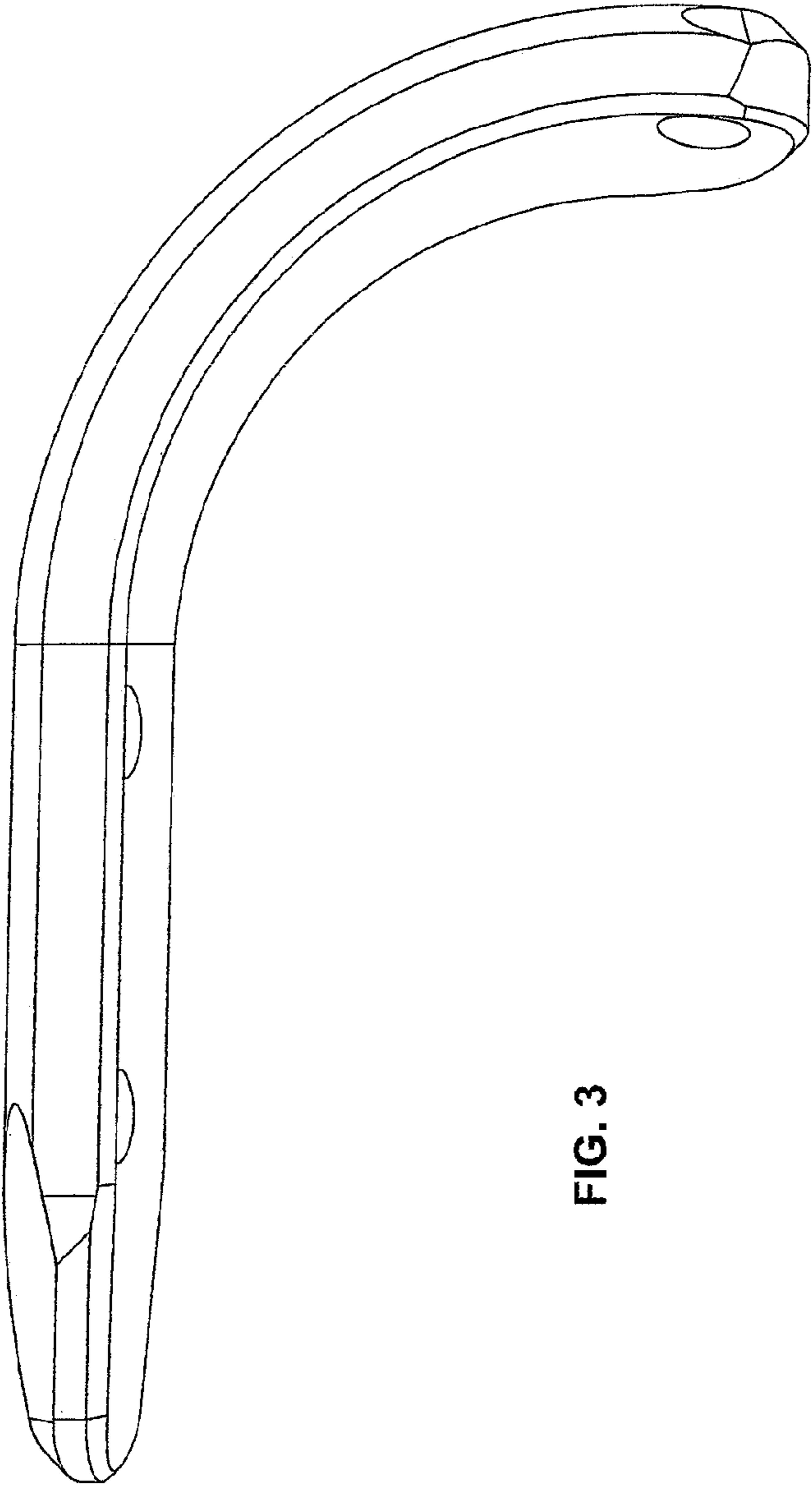


FIG. 3

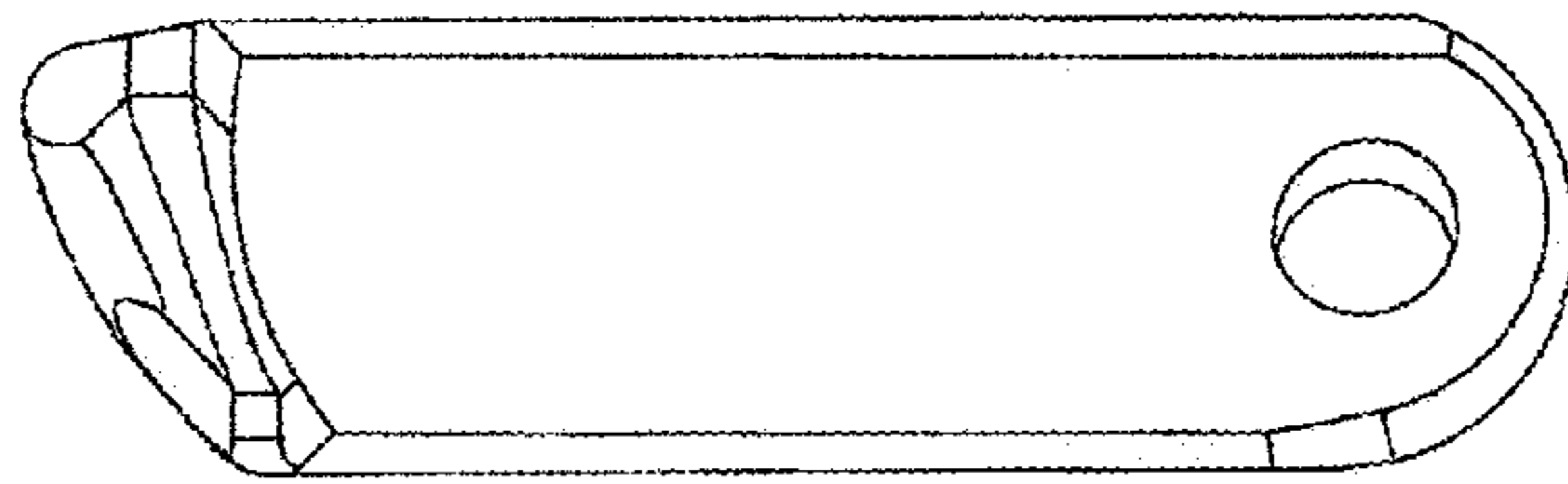


FIG. 4

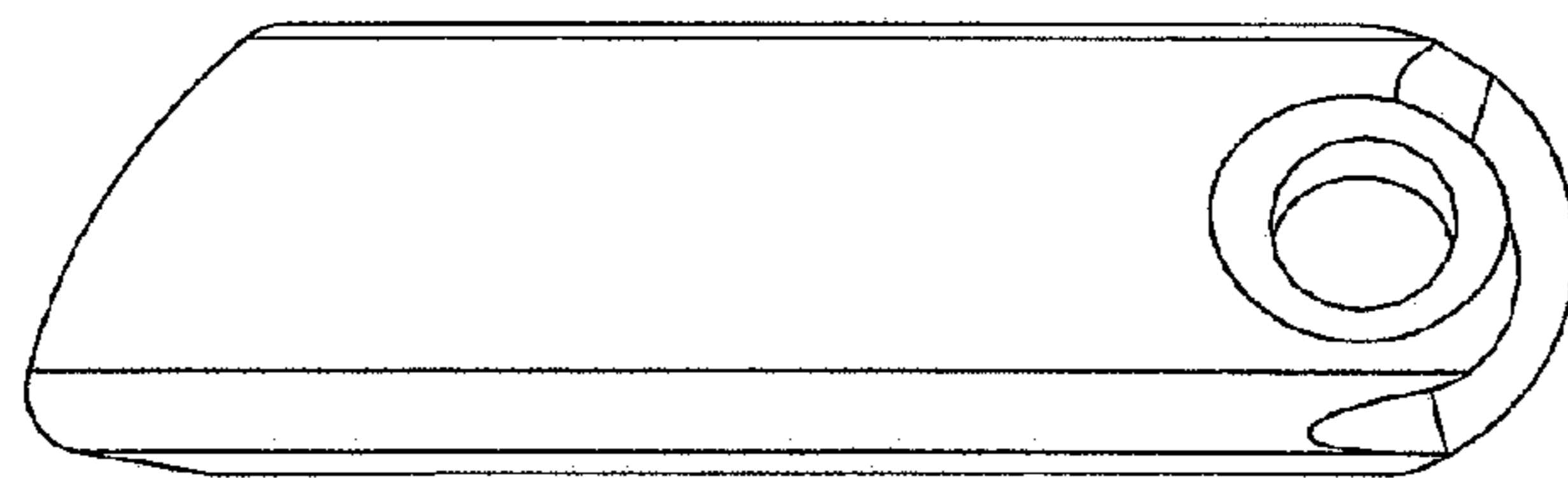


FIG. 5



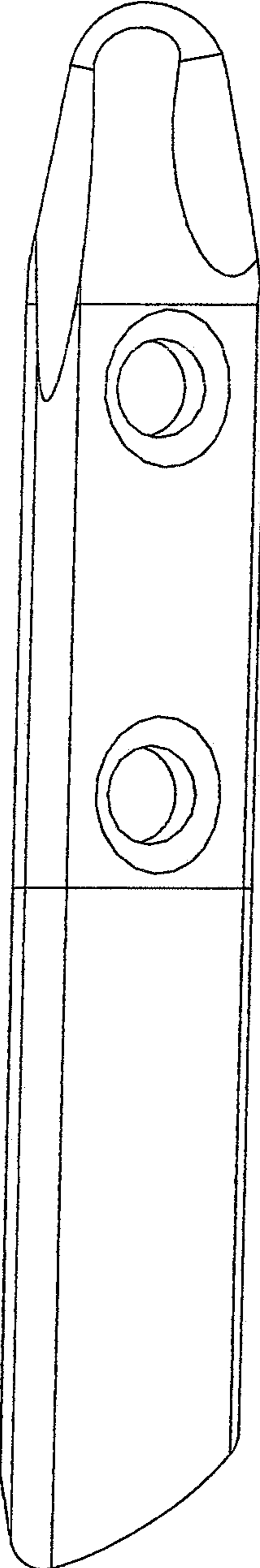


FIG. 6



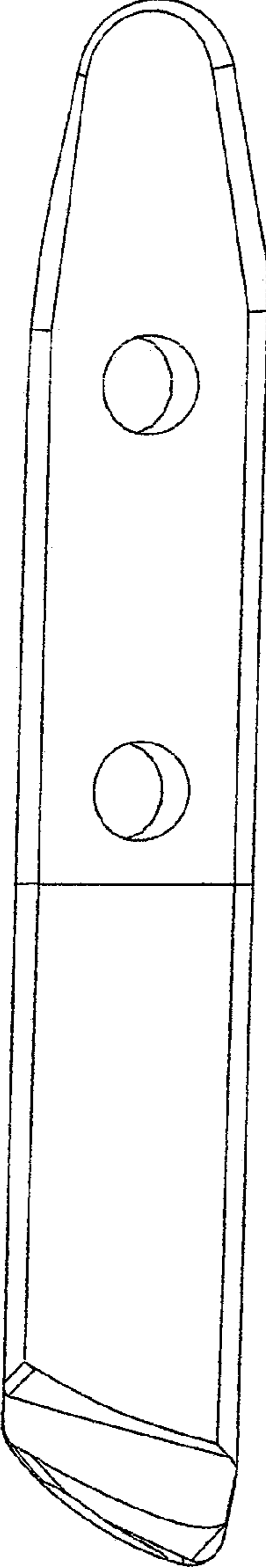


FIG. 7

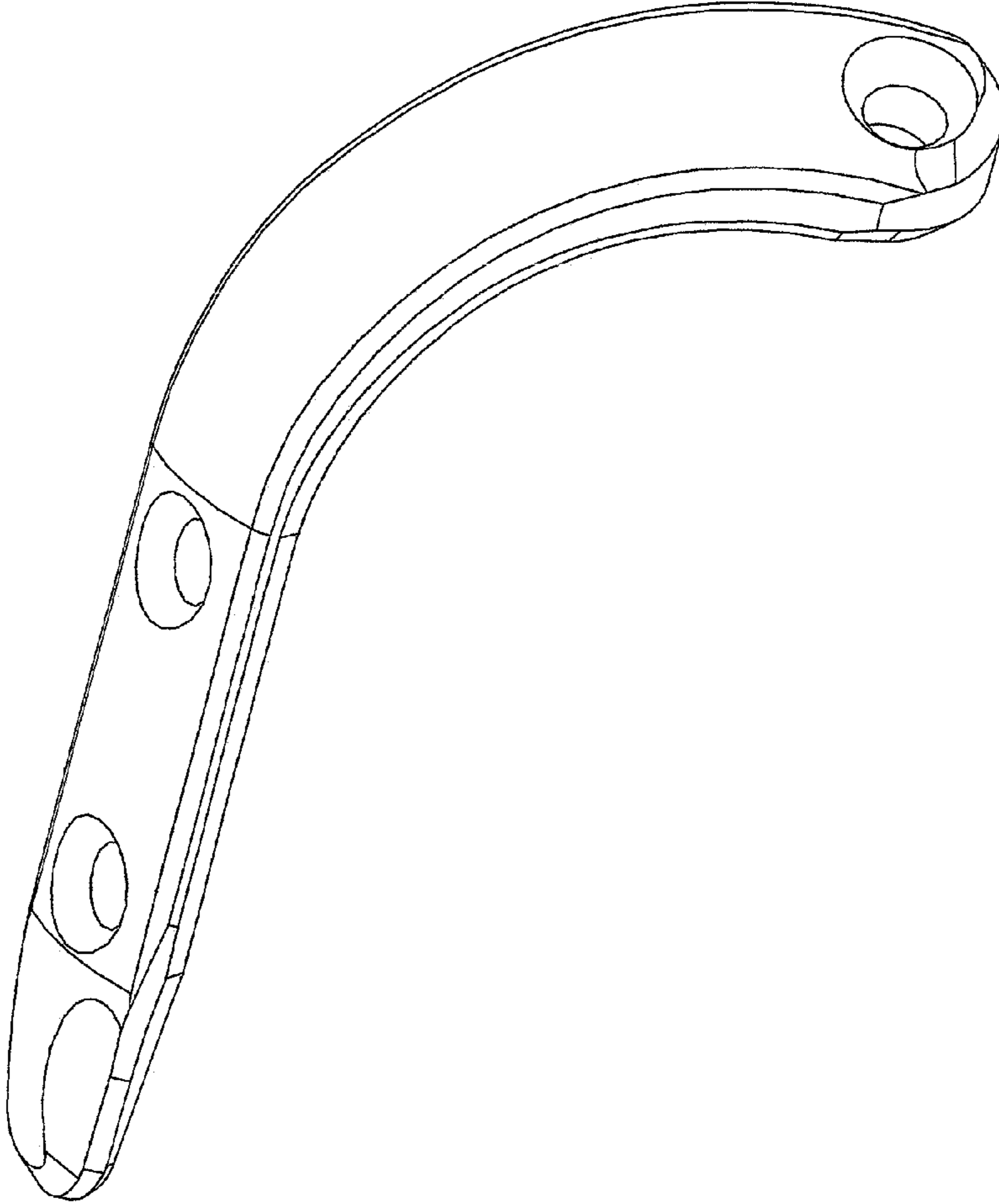


FIG. 8

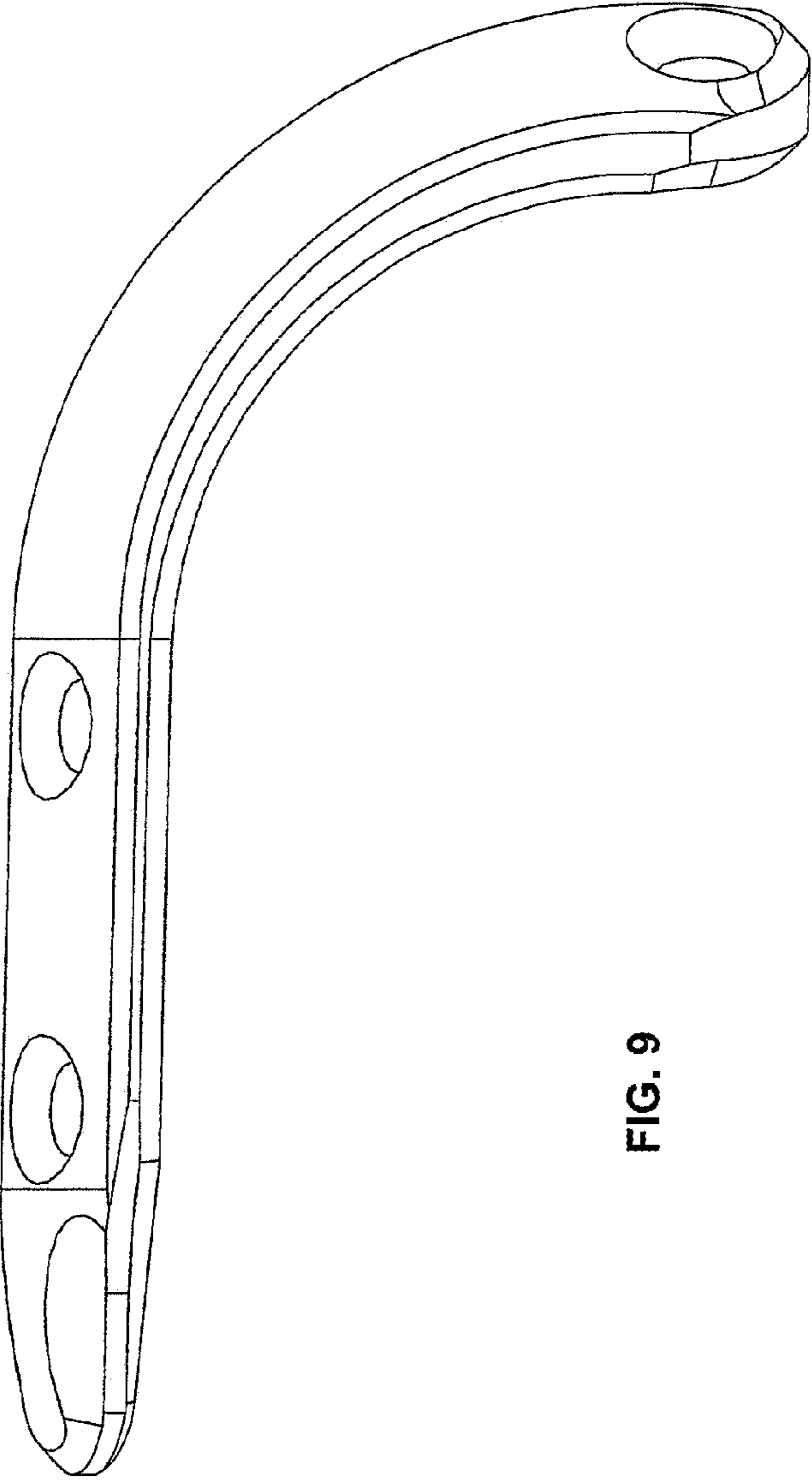


FIG. 9

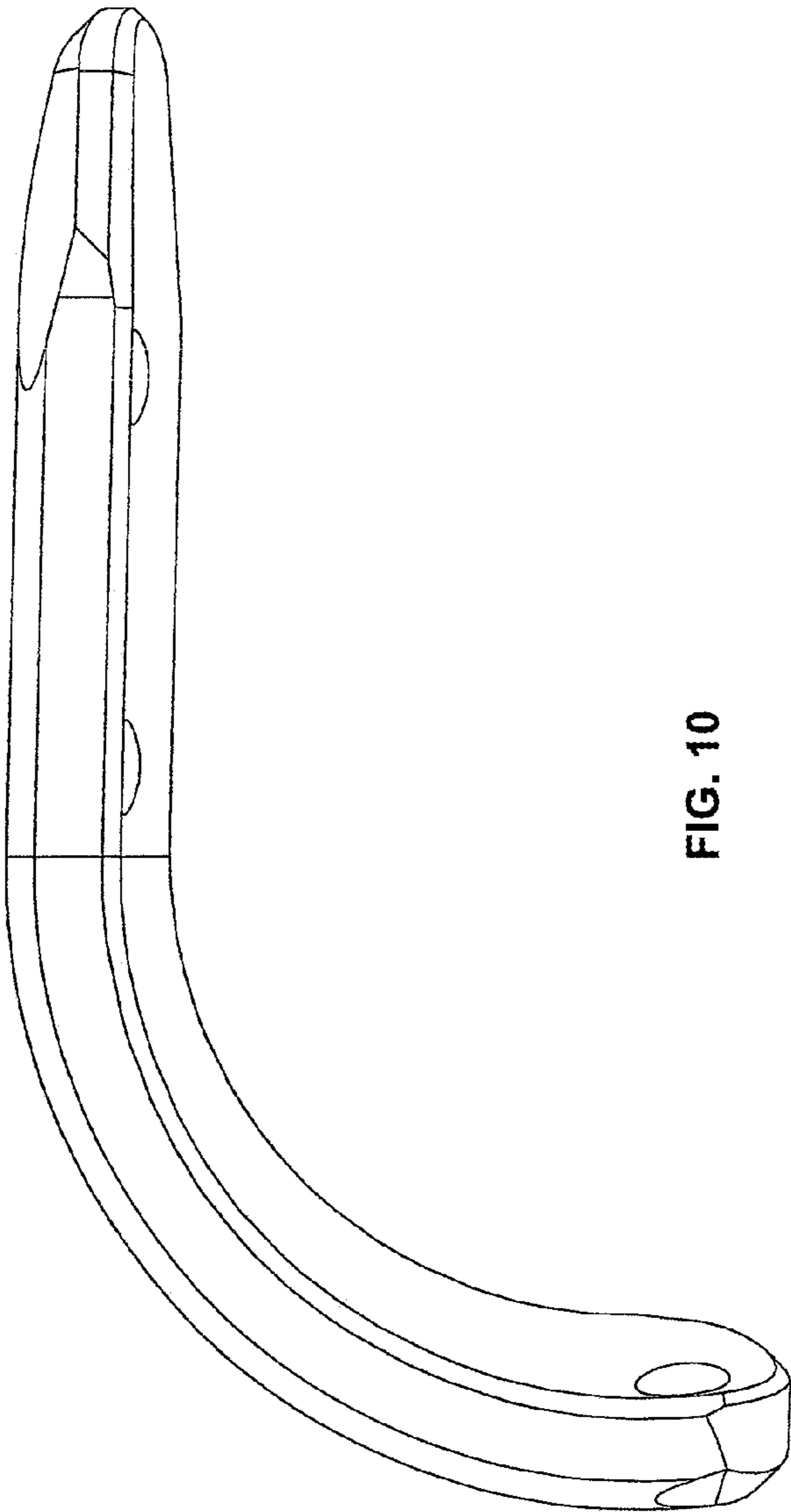


FIG. 10

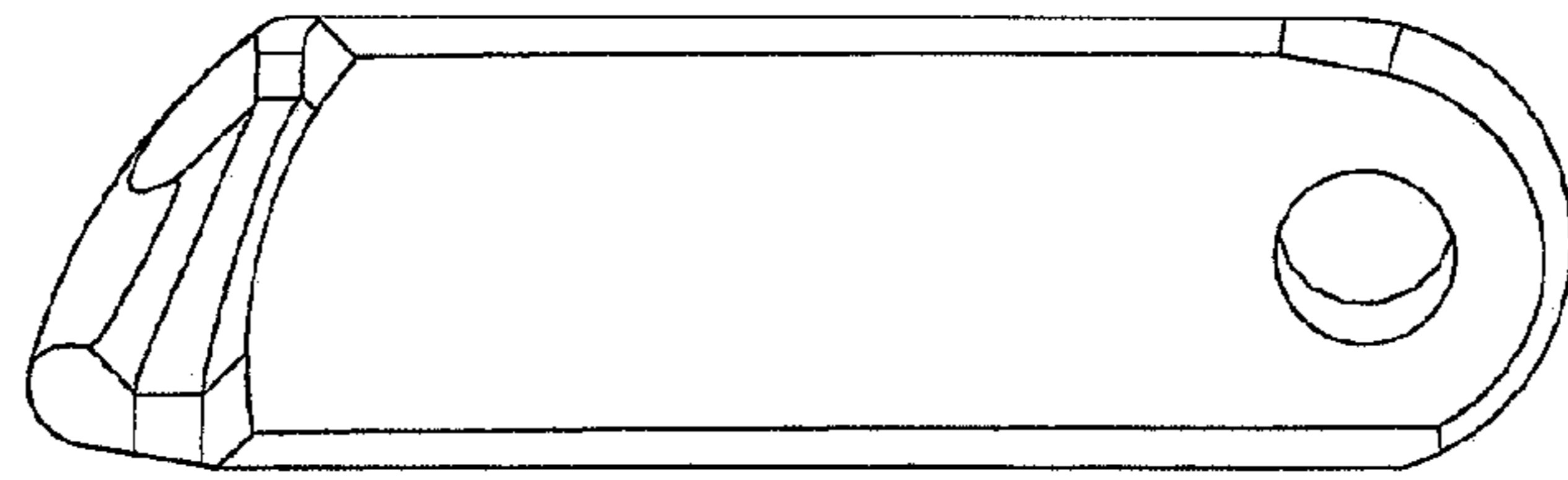


FIG. 11

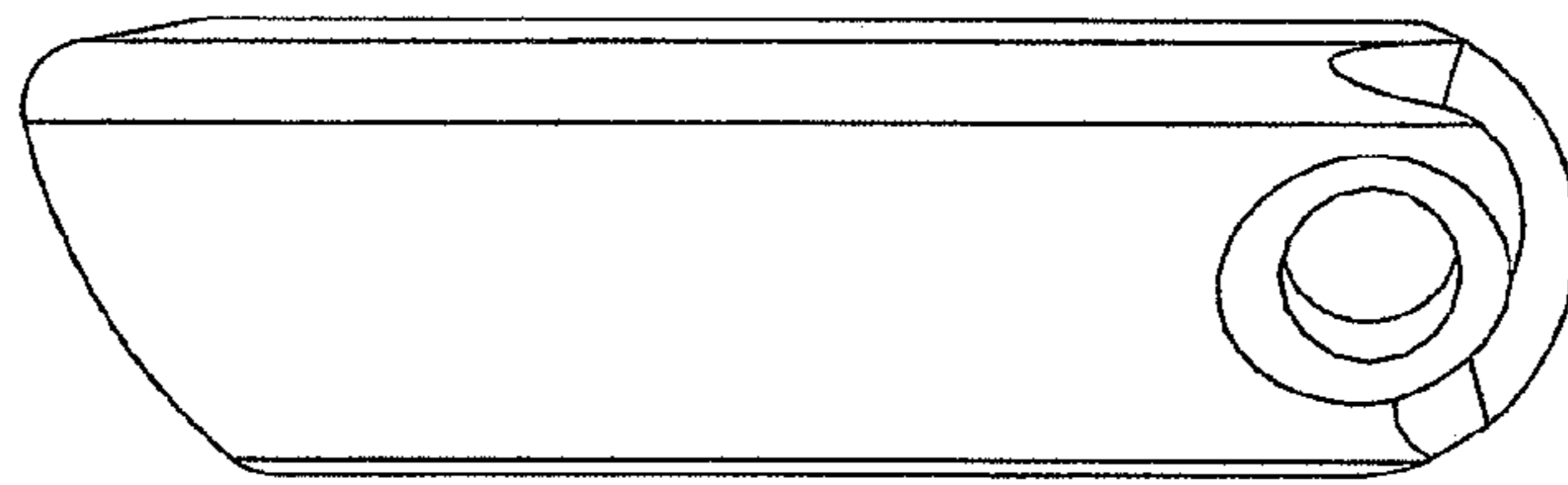


FIG. 12

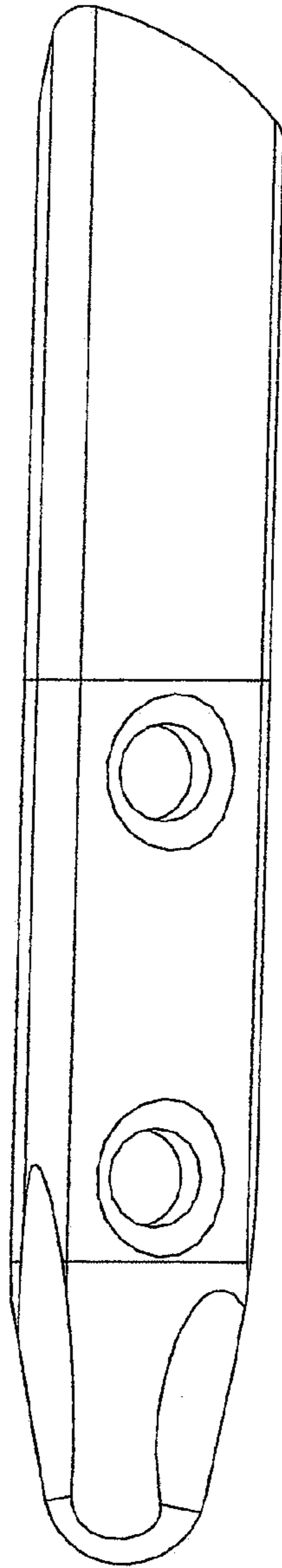


FIG. 13



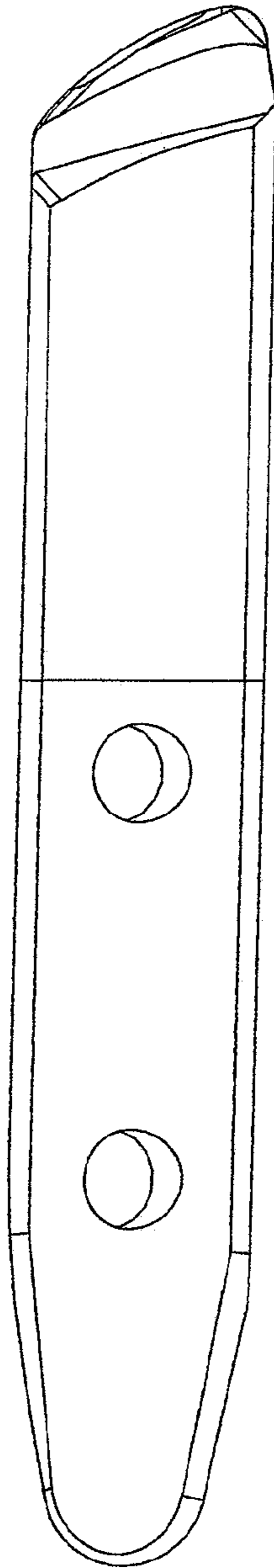


FIG. 14