



US00D749734S

(12) **United States Design Patent**
Grönberg

(10) **Patent No.:** **US D749,734 S**
(45) **Date of Patent:** **** Feb. 16, 2016**

- (54) **ANASTOMOSIS DEVICE**
- (71) Applicant: **CARPO NOVUM AB**, Halmstad (SE)
- (72) Inventor: **Anders Grönberg**, Halmstad (SE)
- (73) Assignee: **Carponovum AB**, Halmstad (SE)
- (**) Term: **14 Years**
- (21) Appl. No.: **29/513,233**
- (22) Filed: **Dec. 29, 2014**

Related U.S. Application Data

- (62) Division of application No. 29/445,955, filed on Feb. 19, 2013.

Foreign Application Priority Data

- (30) Aug. 20, 2012 (EM) 001340319

- (51) **LOC (10) Cl.** **24-02**
- (52) **U.S. Cl.**
USPC **D24/155; D24/127**

- (58) **Field of Classification Search**
USPC D24/127-129, 133, 143, 145, 155-157;
D8/394-396; D23/233, 235, 249,
D23/259-262, 263-269
CPC A61F 5/445; A61F 5/443; A61F 5/448;
A61F 5/4405; A61F 5/4407; A61B 17/11;
A61B 17/115; A61B 2017/1107
See application file for complete search history.

(56) **References Cited**

U.S. PATENT DOCUMENTS

- 4,747,407 A * 5/1988 Liu A61B 17/11
606/153
- 4,752,024 A 6/1988 Green et al.
- D355,708 S * 2/1995 Caine D23/260
- 5,503,635 A * 4/1996 Sauer A61B 17/1114
606/151

- 6,110,187 A 8/2000 Donlon
- 6,290,238 B1 9/2001 Johnson, Jr.
- 6,551,334 B2 4/2003 Blatter et al.
- D495,465 S 9/2004 Tepper et al.
- D498,826 S 11/2004 Takahiro et al.
- D514,671 S 2/2006 Jones
- 7,241,300 B2 7/2007 Sharkawy et al.
- D556,866 S 12/2007 Darce
- D557,771 S 12/2007 Darce
- D614,272 S 4/2010 Henry et al.
- 7,901,417 B2 3/2011 Blatter et al.
- 8,034,064 B2 10/2011 Blatter
- D648,427 S 11/2011 Bowman et al.
- 8,066,724 B2 11/2011 Golden et al.
- D660,960 S 5/2012 Grönberg
- 8,449,563 B2 * 5/2013 Rebuffat A61B 17/1114
606/153
- D687,144 S * 7/2013 Gronberg D24/127
- D687,145 S * 7/2013 Gronberg D24/129
- 8,512,361 B2 * 8/2013 Gronberg A61B 17/11
606/142
- 8,709,025 B2 * 4/2014 Liu A61B 17/1114
606/153
- D706,909 S 6/2014 van de Klippe et al.
- 8,777,971 B2 7/2014 Tulleken et al.
- 8,828,032 B2 9/2014 McWeeney et al.
- D715,412 S 10/2014 Sgherri

(Continued)

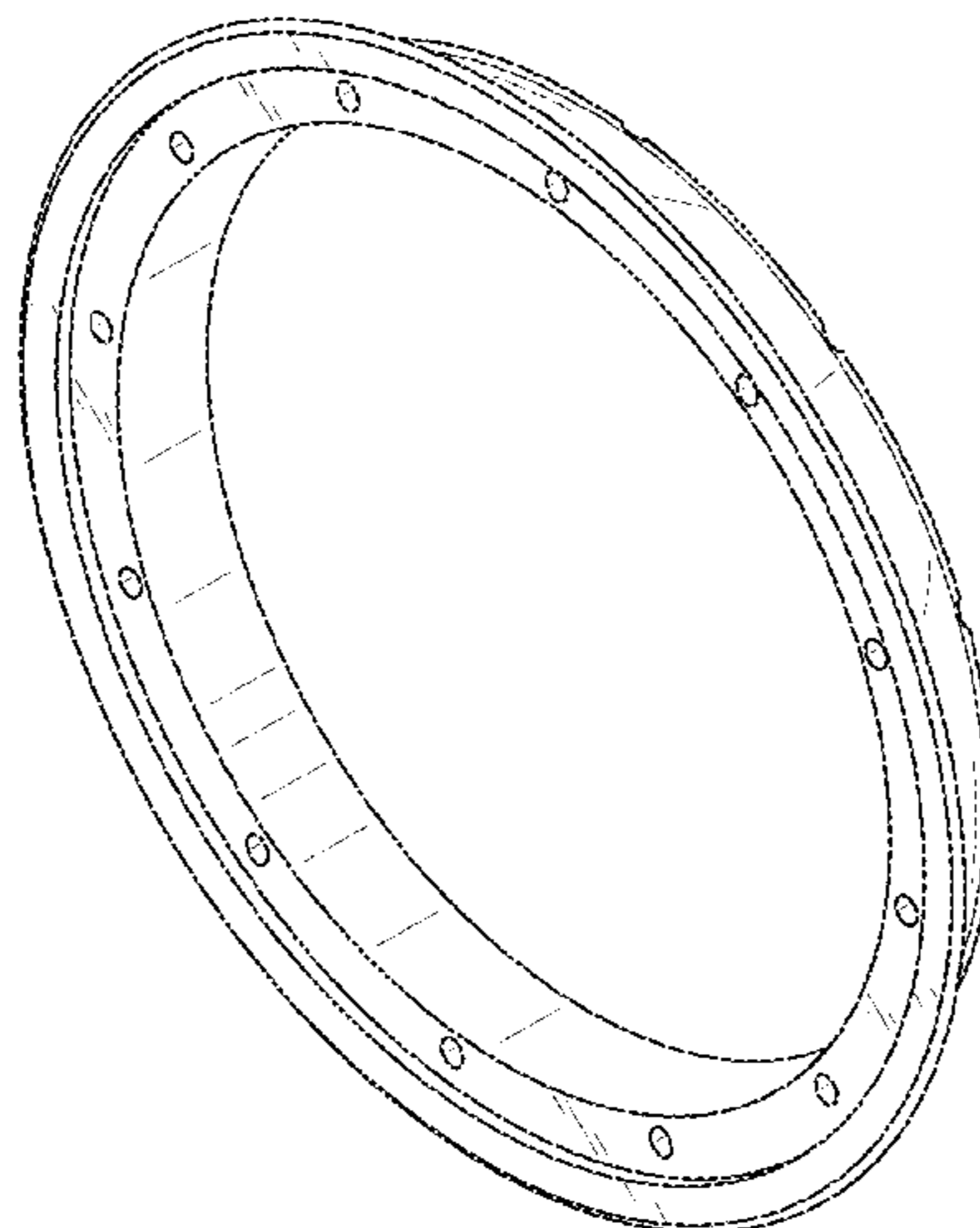
Primary Examiner — Susan Bennett Hattan
Assistant Examiner — Charles Hanson
(74) *Attorney, Agent, or Firm* — Capitol City TechLaw

(57) **CLAIM**
The ornamental design for anastomosis device, as shown.

DESCRIPTION

FIG. 1 is a front view of anastomosis device showing my new design;
FIG. 2 is a left side view thereof;
FIG. 3 is a bottom view thereof;
FIG. 4 is a front perspective view thereof;
FIG. 5 is a rear view thereof; and,
FIG. 6 is a rear perspective view thereof.

1 Claim, 6 Drawing Sheets



(56)

References Cited

606/153

U.S. PATENT DOCUMENTS

2003/0078597	A1	4/2003	Blatter et al.	2009/0234248	A1	9/2009	Zand et al.
2008/0015617	A1	1/2008	Harari et al.	2009/0302089	A1	12/2009	Harari et al.
2008/0249546	A1	10/2008	Sandstrom et al.	2013/0304100	A1	11/2013	Gronberg et al.
2009/0012543	A1	1/2009	Kansoul	2014/0166719	A1	6/2014	Bettuchi et al.
2009/0138030	A1*	5/2009	Gronberg	2014/0324002	A1	10/2014	Luce
			A61B 17/11	2014/0364881	A1	12/2014	Meron et al.
				2014/0379011	A1	12/2014	Viola

* cited by examiner

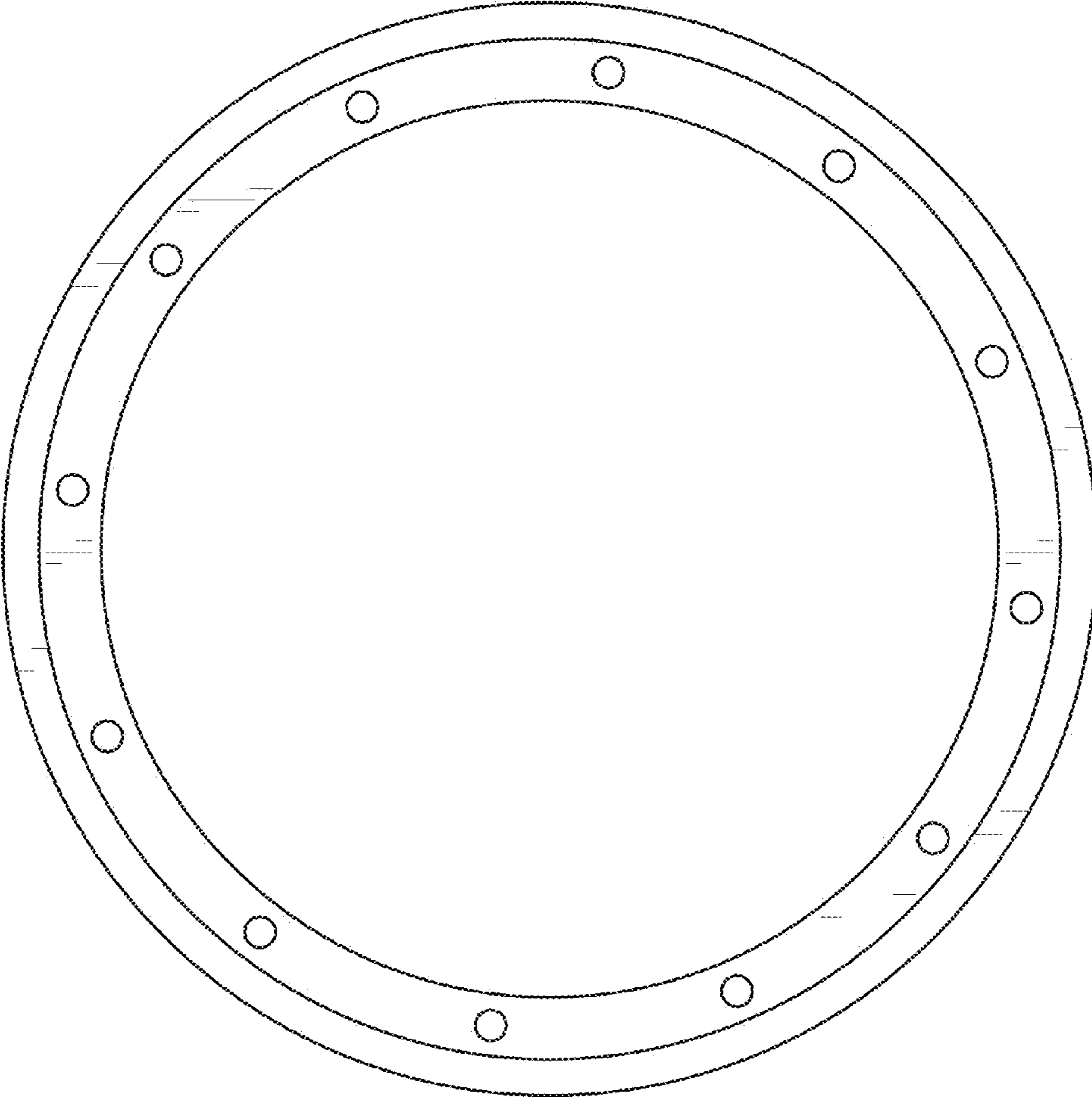


FIG. 1

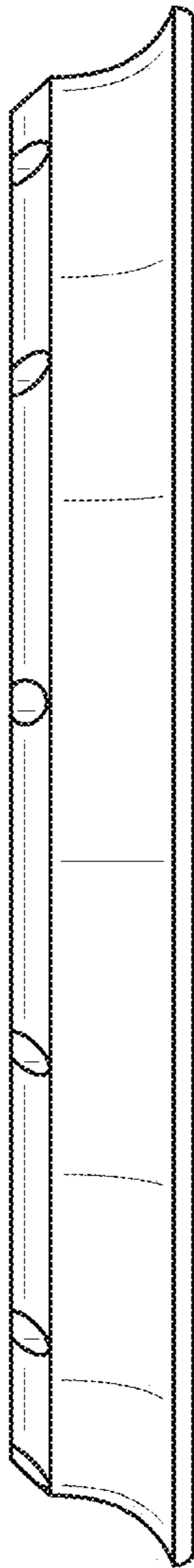


FIG. 2

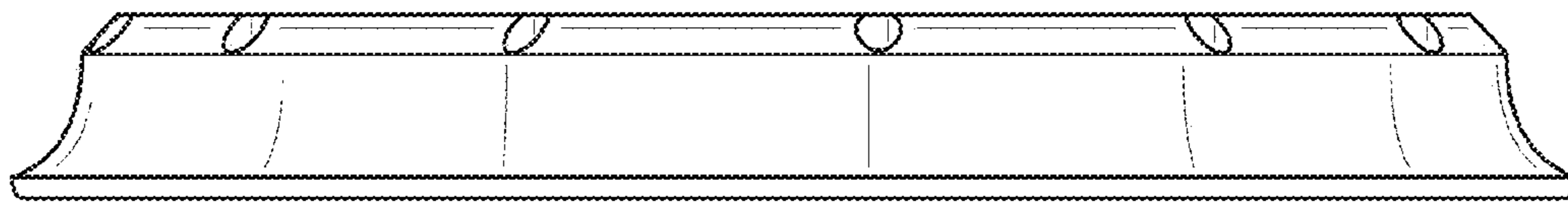


FIG. 3

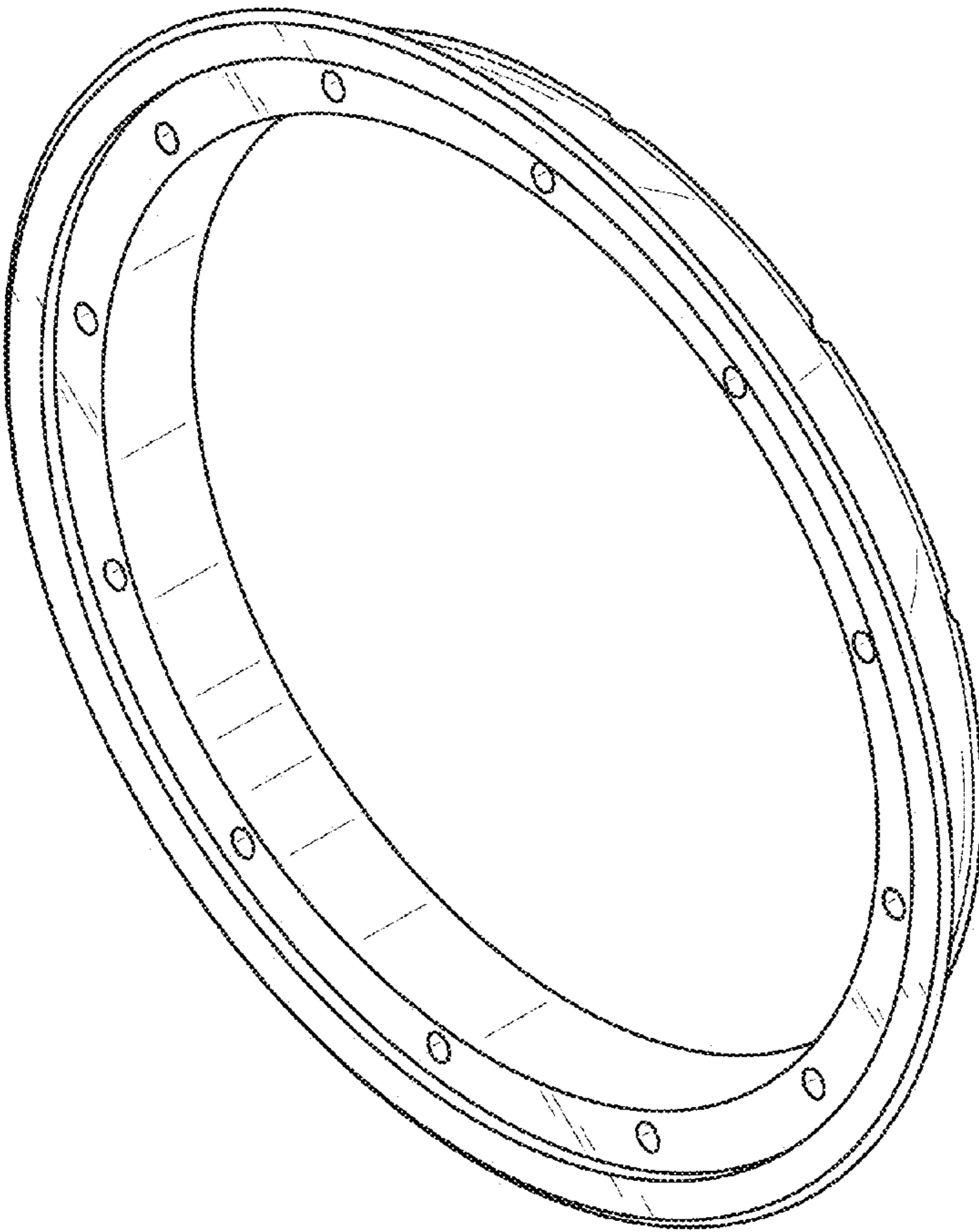


FIG. 4

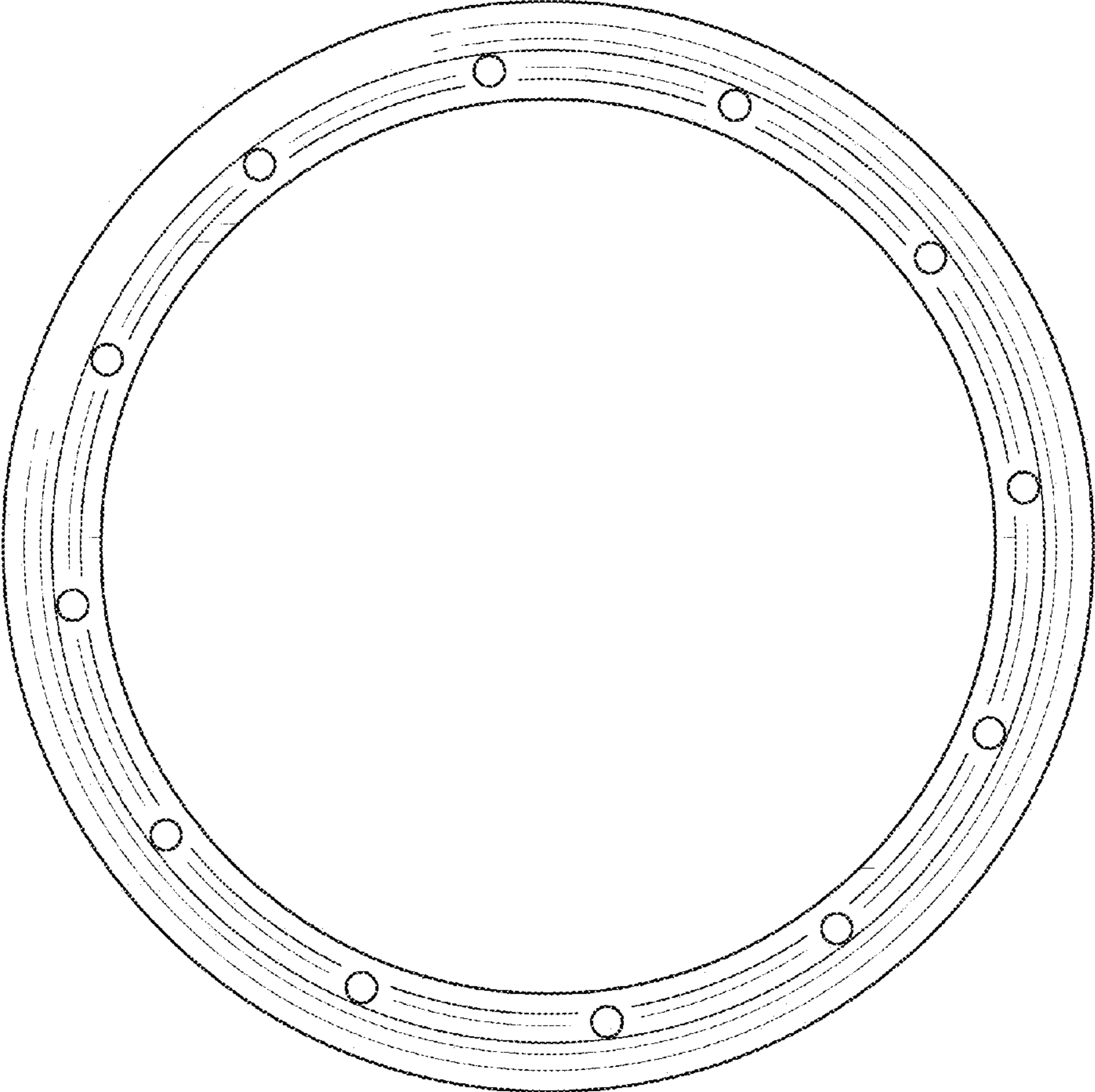


FIG. 5

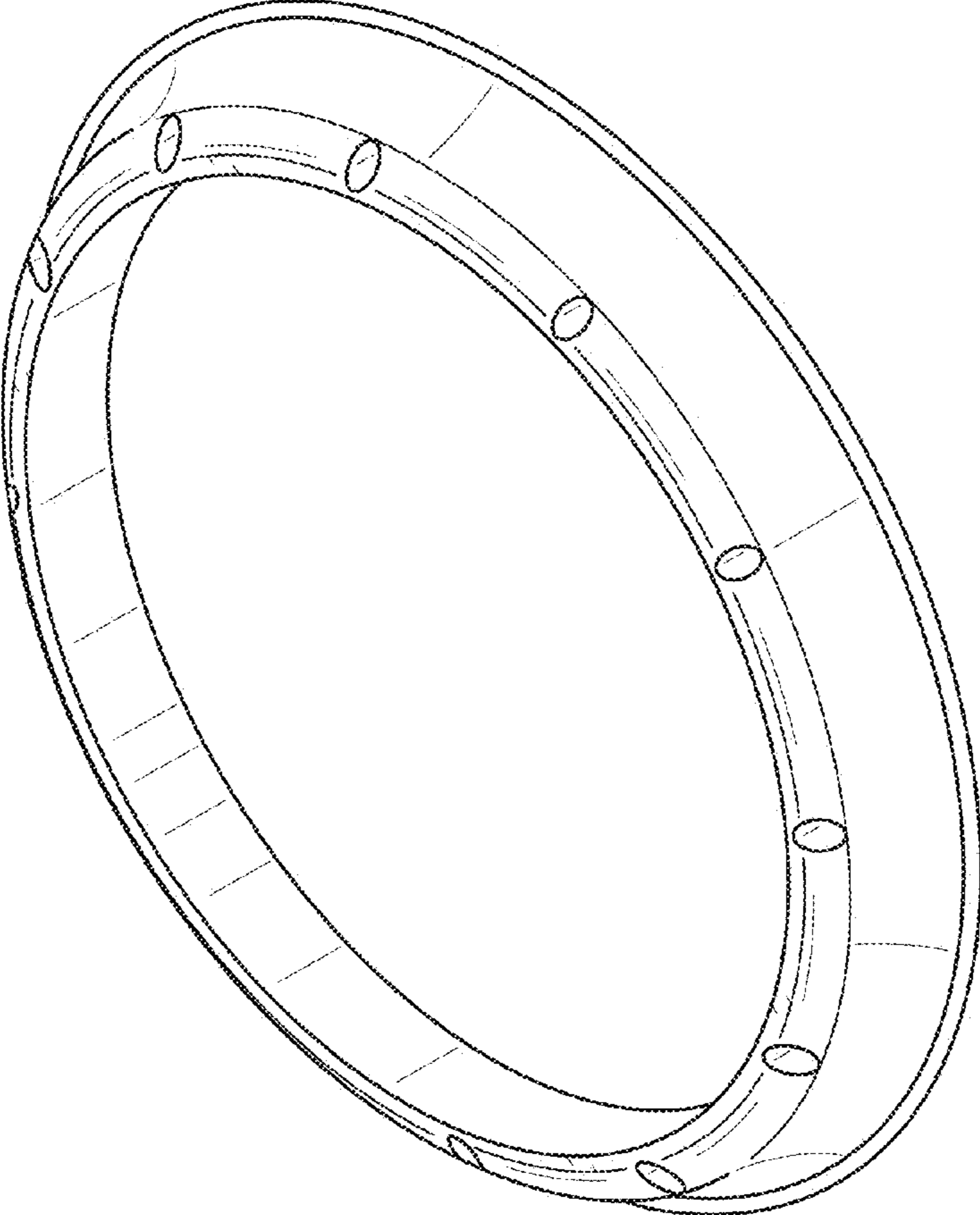


FIG. 6