



US00D749733S

(12) **United States Design Patent**  
**Canady et al.**

(10) **Patent No.:** **US D749,733 S**  
(45) **Date of Patent:** **\*\* Feb. 16, 2016**

- (54) **HYBRID PLASMA HANDPIECE**
- (71) Applicants: **Jerome Canady**, Lakeland, FL (US);  
**Taisen Zhuang**, Rockville, MD (US)
- (72) Inventors: **Jerome Canady**, Lakeland, FL (US);  
**Taisen Zhuang**, Rockville, MD (US)
- (73) Assignee: **U.S. Patent Innovations LLC**, Takoma  
Park, MD (US)
- (\*\*) Term: **14 Years**
- (21) Appl. No.: **29/506,708**
- (22) Filed: **Oct. 20, 2014**
- (51) **LOC (10) Cl.** ..... **24-02**
- (52) **U.S. Cl.**  
USPC ..... **D24/147**
- (58) **Field of Classification Search**  
USPC ..... D7/649; D8/93, 97, 300, 310, 311, 313;  
D19/110, 115; D24/127, 130, 133,  
D24/146, 147, 148  
CPC ..... B26B 3/00; B26B 1/10; B26B 5/005;  
A61B 17/809; A61B 17/1617; A61B 17/3211;  
A61B 5/1411; A61B 17/3417  
See application file for complete search history.

(56) **References Cited**

**U.S. PATENT DOCUMENTS**

D249,549 S *	9/1978	Pike	.....	D24/144
D342,573 S *	12/1993	Cerola	.....	D24/147
D428,150 S *	7/2000	Ruf et al.	.....	D24/146
7,024,772 B1 *	4/2006	Shaver et al.	.....	30/2
D521,641 S *	5/2006	Reschke et al.	.....	D24/144

D560,805 S *	1/2008	Young et al.	.....	D24/146
D590,502 S *	4/2009	Geisser et al.	.....	D24/133
D619,579 S	7/2010	Vieira et al.		
8,162,937 B2 *	4/2012	Cunningham et al.	.....	606/42
D664,657 S	7/2012	Vieira et al.		
8,398,664 B2 *	3/2013	Lamps et al.	.....	606/181
8,758,381 B2 *	6/2014	Kuhr et al.	.....	606/181
8,828,038 B2 *	9/2014	Brown et al.	.....	606/182
2008/0027474 A1 *	1/2008	Curry et al.	.....	606/181

\* cited by examiner

*Primary Examiner* — Robert M Spear

*Assistant Examiner* — Marissa J Cash

(74) *Attorney, Agent, or Firm* — 24IP Law Group; Timothy R DeWitt

(57) **CLAIM**

The ornamental design for a hybrid plasma handpiece, as shown and described.

**DESCRIPTION**

FIG. 1 is a top view of a hybrid plasma handpiece showing our new design;

FIG. 2 is a first side view of the hybrid plasma handpiece of FIG. 1;

FIG. 3 is a bottom view of the hybrid plasma handpiece of FIG. 1;

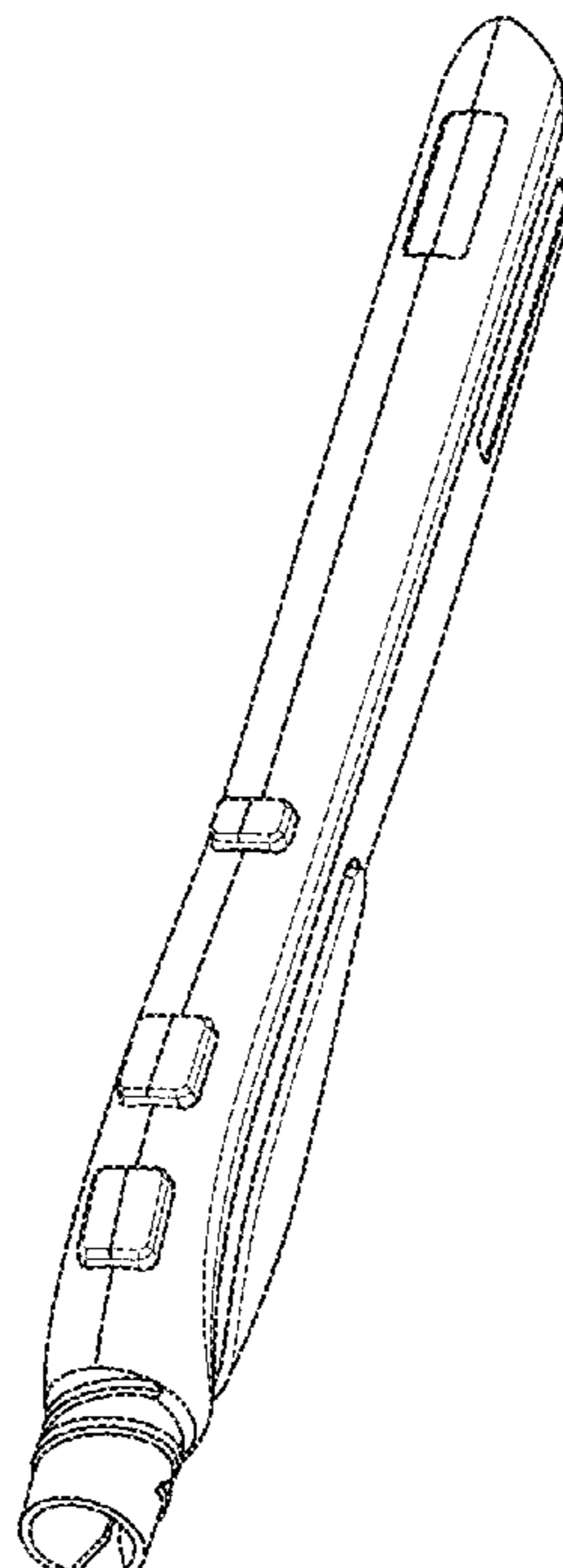
FIG. 4 is a second side view of the hybrid plasma handpiece of FIG. 1;

FIG. 5 is a front view of the hybrid plasma handpiece of FIG. 1;

FIG. 6 is a rear view of the hybrid plasma handpiece of FIG. 1; and,

FIG. 7 is a perspective view of the hybrid plasma handpiece of FIG. 1.

**1 Claim, 3 Drawing Sheets**



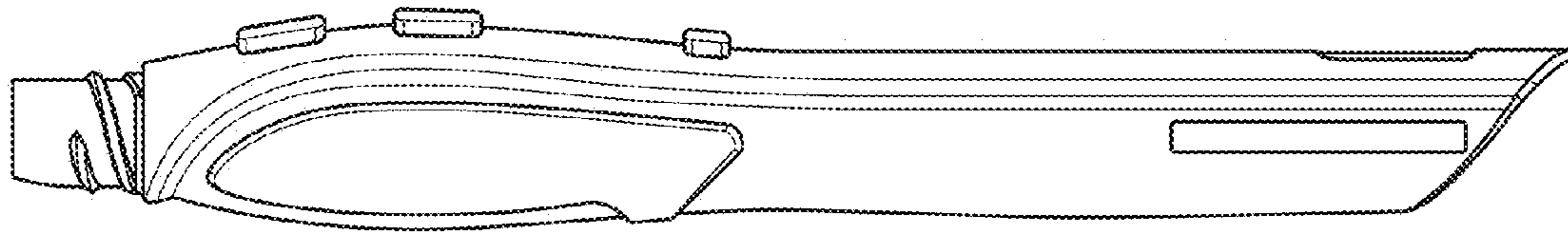


FIG. 4

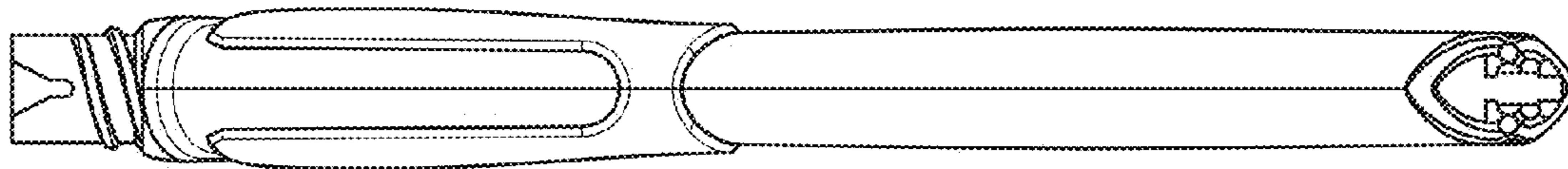


FIG. 3

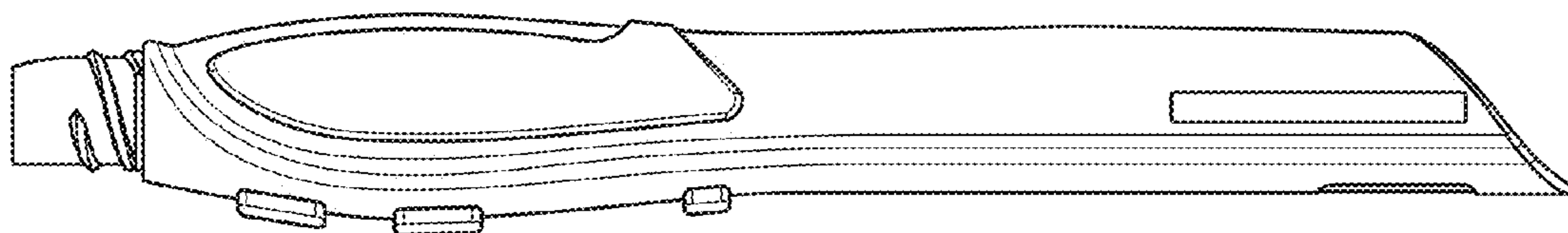


FIG. 2

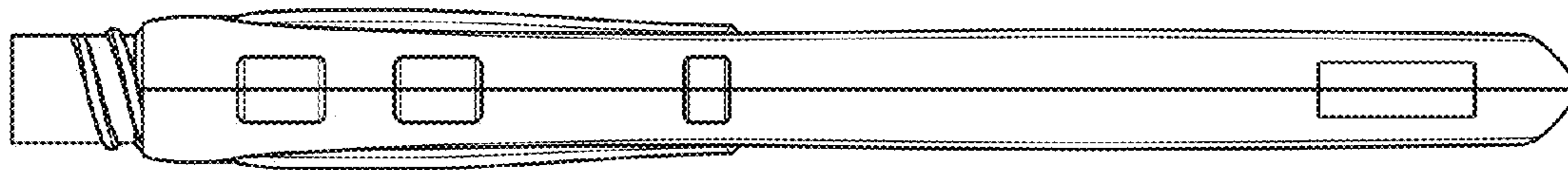


FIG. 1

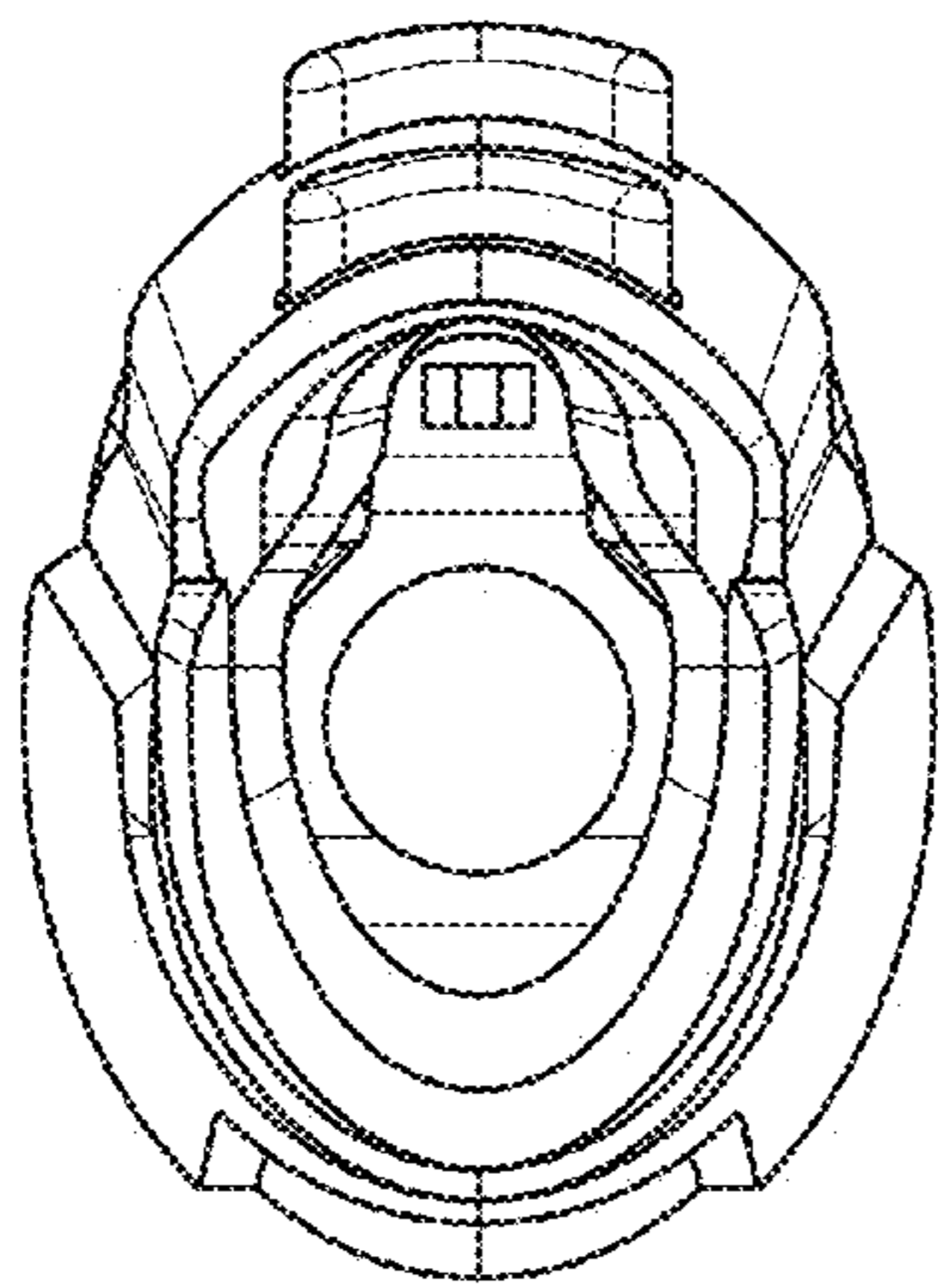


FIG. 5

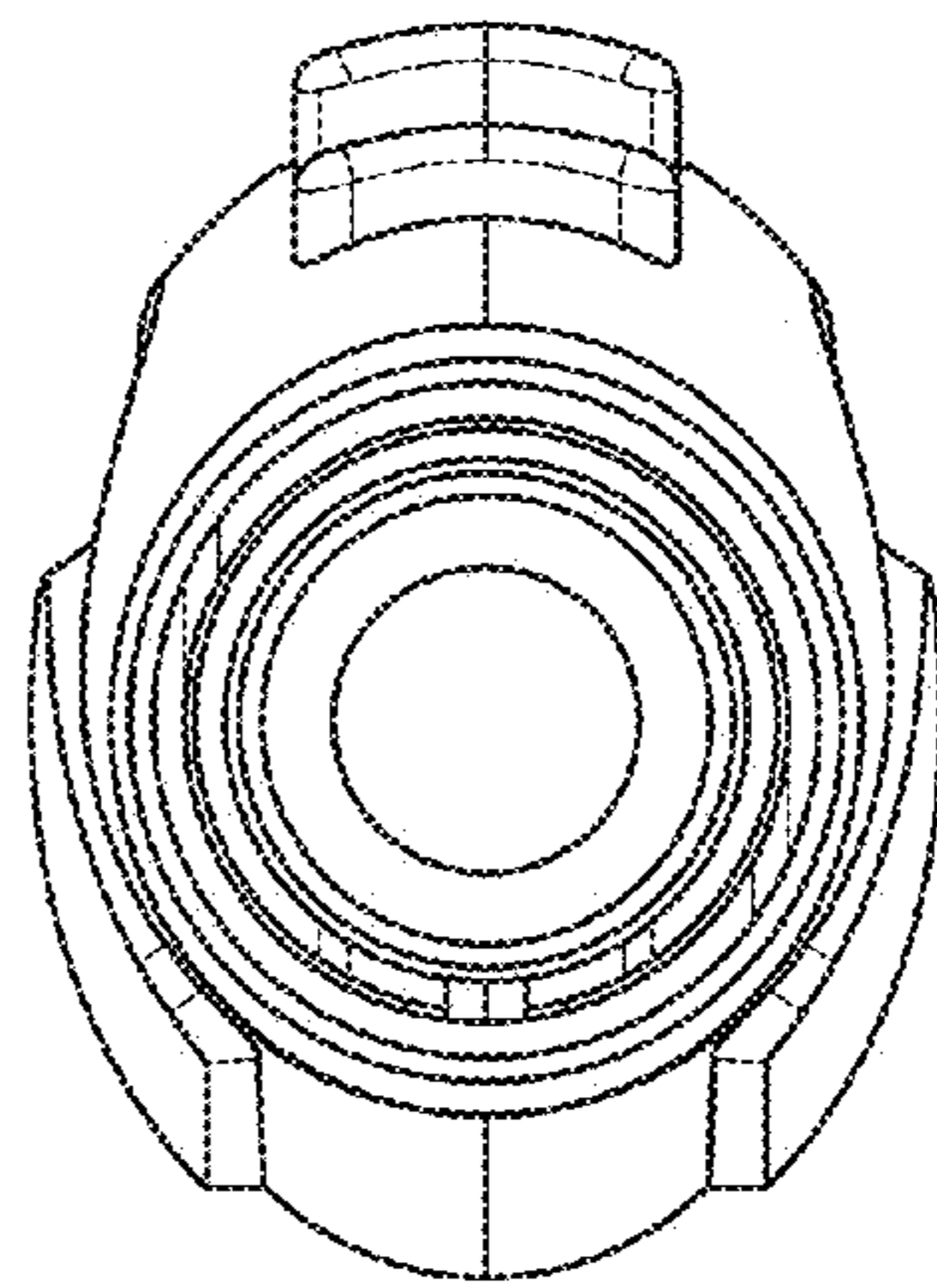


FIG. 6

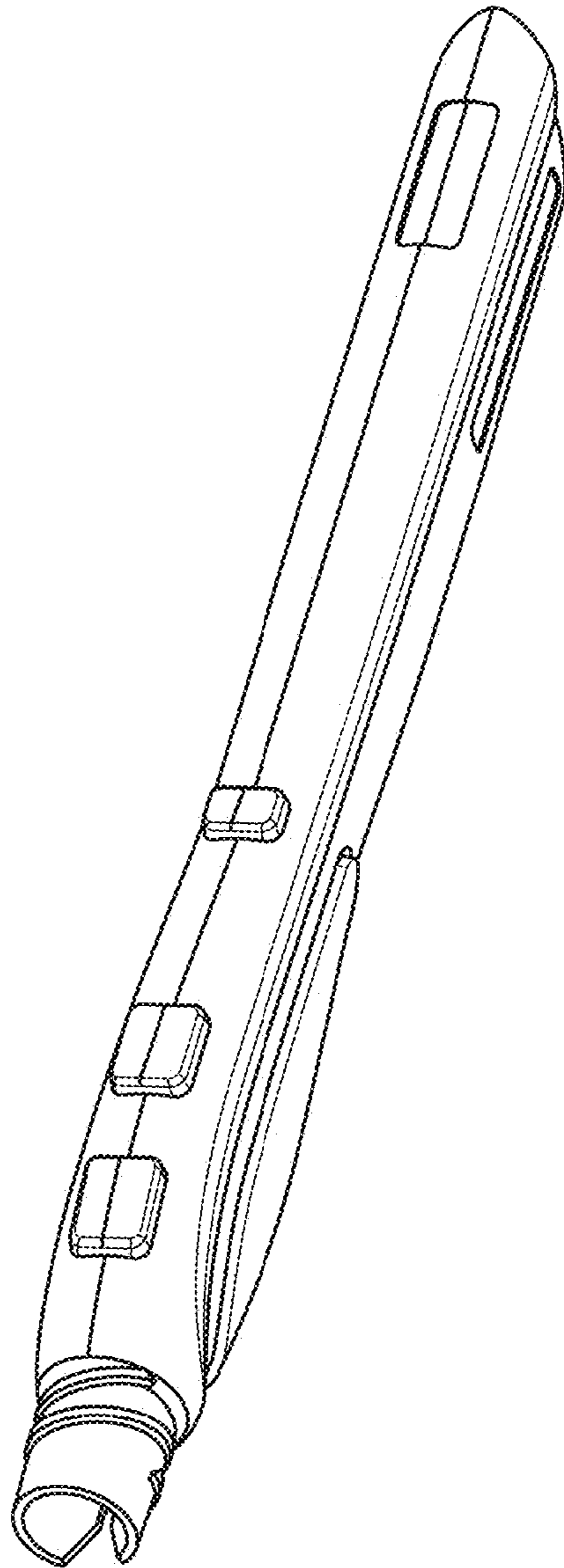


FIG. 7