



US00D749732S

(12) **United States Design Patent**
Canady et al.

(10) **Patent No.:** **US D749,732 S**
(45) **Date of Patent:** **** Feb. 16, 2016**

(54) **COLD PLASMA HANDPIECE**
(71) Applicants: **Jerome Canady**, Lakeland, FL (US);
Taisen Zhuang, Rockville, MD (US)
(72) Inventors: **Jerome Canady**, Lakeland, FL (US);
Taisen Zhuang, Rockville, MD (US)
(73) Assignee: **U.S. Medical Innovations LLS**, Takoma
Park, MD (US)

(**) Term: **14 Years**

(21) Appl. No.: **29/506,707**

(22) Filed: **Oct. 20, 2014**

(51) **LOC (10) Cl.** **24-02**

(52) **U.S. Cl.**
USPC **D24/147**

(58) **Field of Classification Search**
USPC D7/649; D8/93, 97, 300, 310, 311, 313;
D19/110, 115; D24/127, 130, 133,
D24/146, 147, 148
CPC B26B 3/00; B26B 1/10; B26B 5/005;
A61B 17/809; A61B 17/1617; A61B 17/3211;
A61B 5/1411; A61B 17/3417
See application file for complete search history.

(56) **References Cited**

U.S. PATENT DOCUMENTS

D249,549 S * 9/1978 Pike D24/144
D342,573 S * 12/1993 Cerola D24/147
D428,150 S * 7/2000 Ruf et al. D24/146
7,024,772 B1 * 4/2006 Shaver et al. 30/2

D521,641 S * 5/2006 Reschke et al. D24/144
D560,805 S * 1/2008 Young et al. D24/146
D590,502 S * 4/2009 Geisser et al. D24/133
D619,579 S 7/2010 Vieira et al.
8,162,937 B2 * 4/2012 Cunningham et al. 606/42
D664,657 S 7/2012 Vieira et al.
8,398,664 B2 * 3/2013 Lamps et al. 606/181
8,758,381 B2 * 6/2014 Kuhr et al. 606/181
8,828,038 B2 * 9/2014 Brown et al. 606/182
2008/0027474 A1 * 1/2008 Curry et al. 606/181

* cited by examiner

Primary Examiner — Robert M Spear

Assistant Examiner — Marissa J Cash

(74) *Attorney, Agent, or Firm* — 24IP Law Group; Timothy
R DeWitt

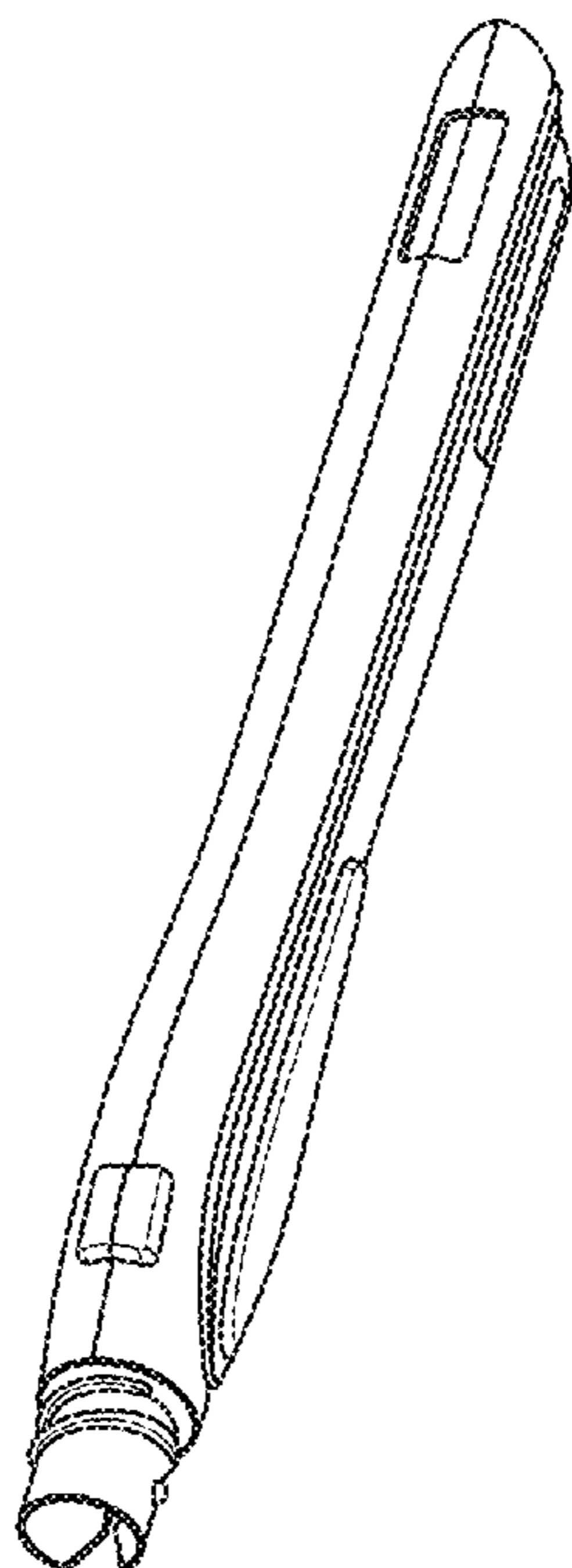
(57) **CLAIM**

The ornamental design for a cold plasma handpiece, as shown
and described.

DESCRIPTION

FIG. 1 is a top view of a cold plasma handpiece showing our
new design;
FIG. 2 is a first side view of the cold plasma handpiece of FIG.
1;
FIG. 3 is a bottom view of the cold plasma handpiece of FIG.
1;
FIG. 4 is a second side view of the cold plasma handpiece of
FIG. 1;
FIG. 5 is a front view of the cold plasma handpiece of FIG. 1;
FIG. 6 is a rear view of the cold plasma handpiece of FIG. 1;
and,
FIG. 7 is a perspective view of the cold plasma handpiece of
FIG. 1.

1 Claim, 3 Drawing Sheets



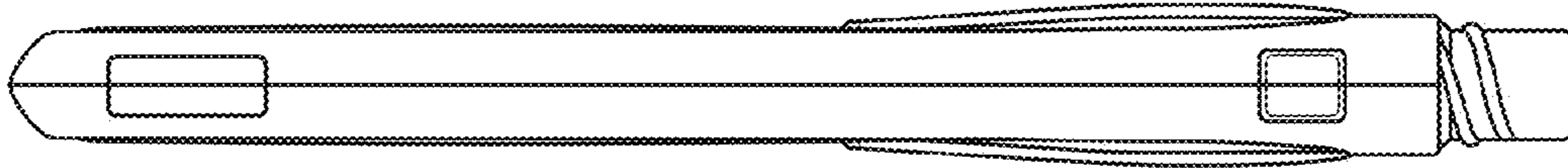


FIG. 1

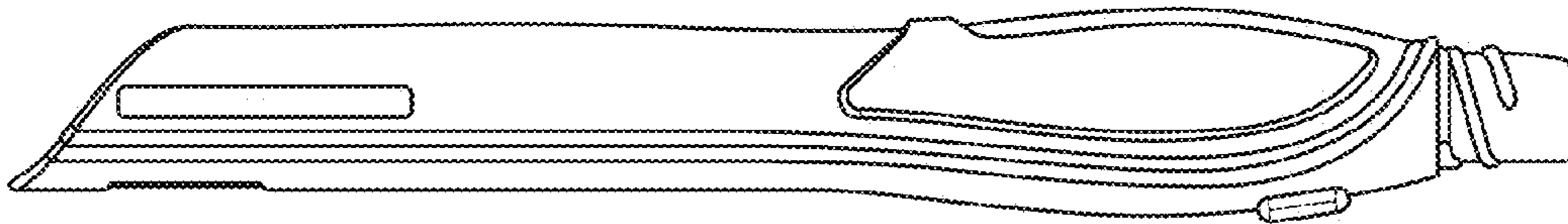


FIG. 2

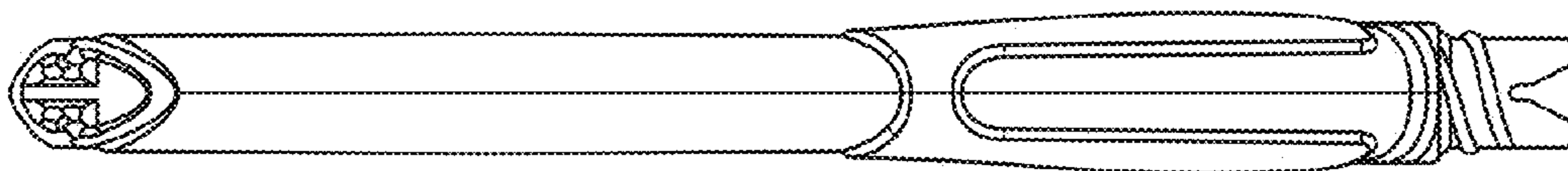


FIG. 3

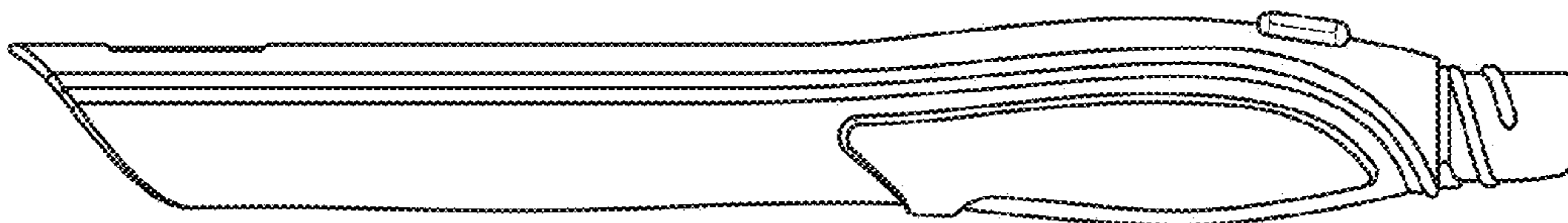


FIG. 4

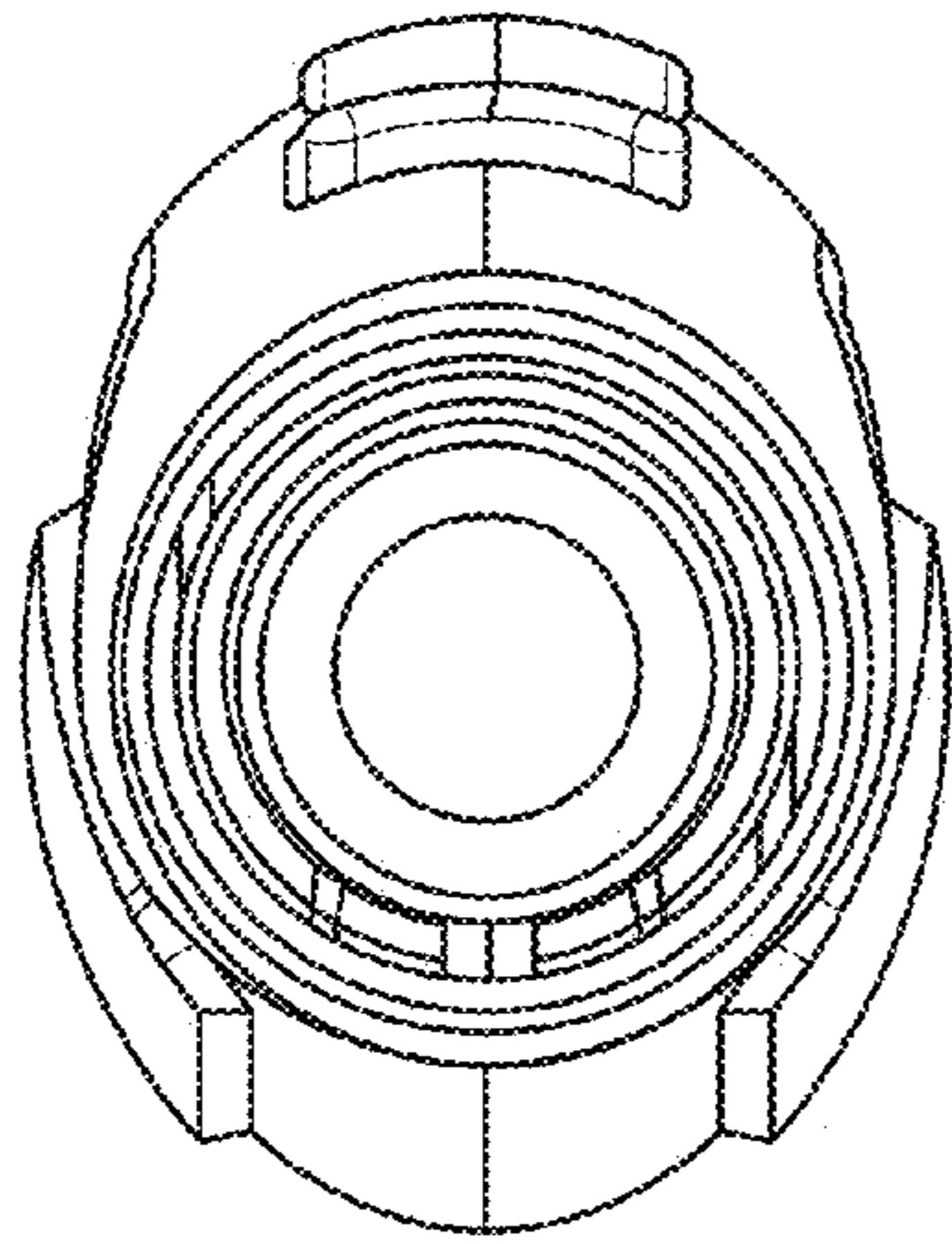


FIG. 5

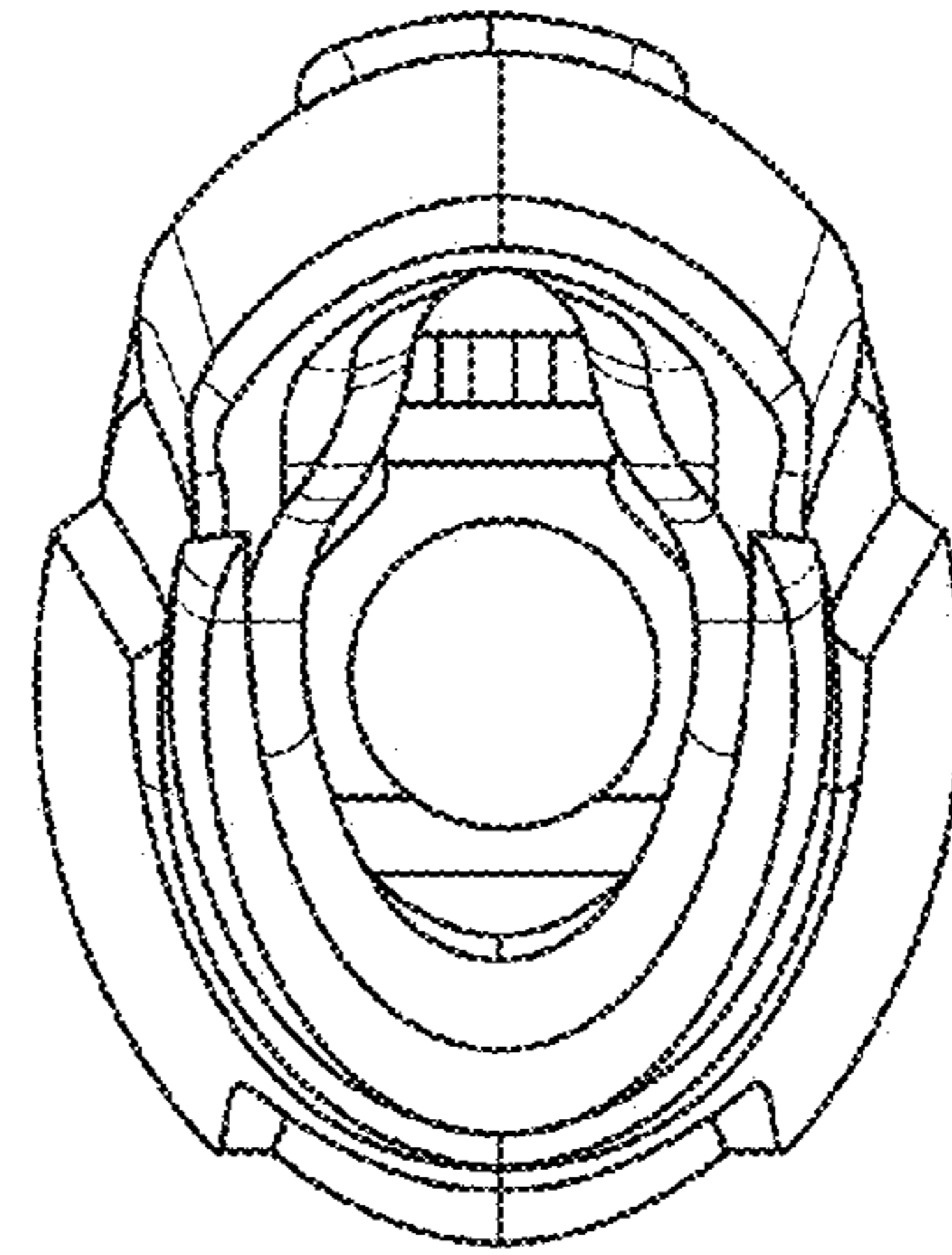


FIG. 6

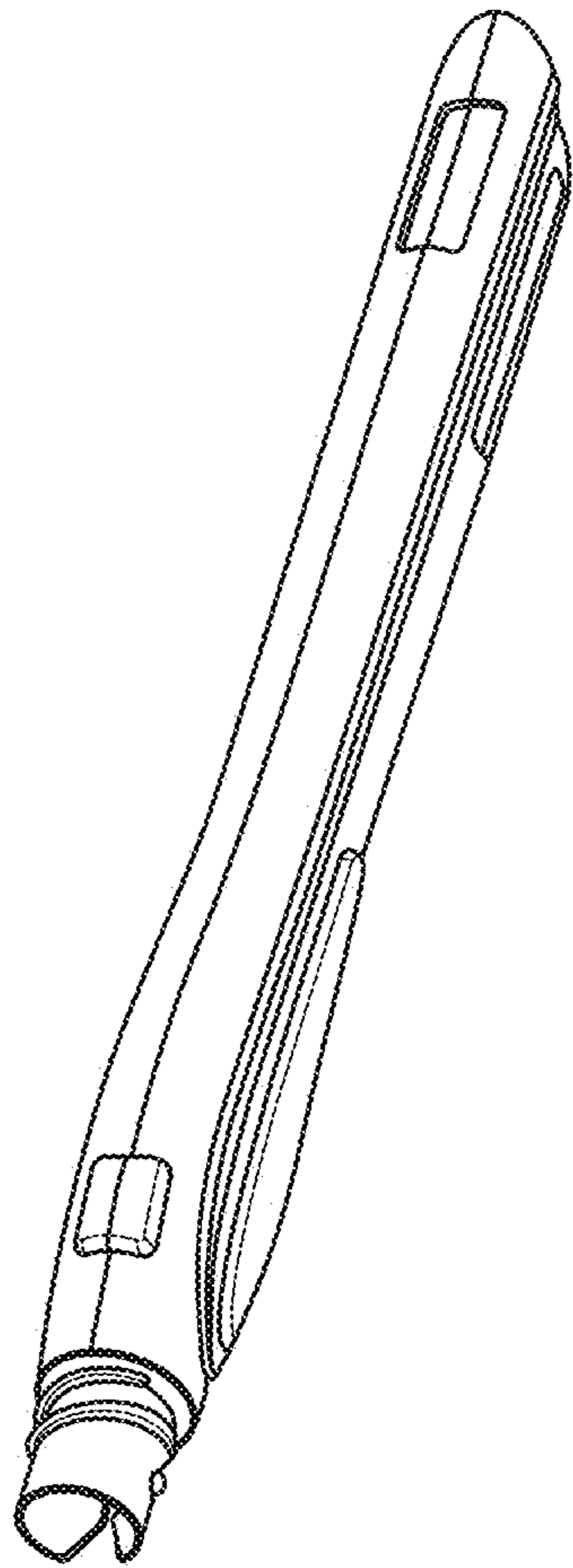


FIG. 7