



US00D749730S

(12) **United States Design Patent**
Dietz et al.

(10) **Patent No.:** **US D749,730 S**
(45) **Date of Patent:** **** Feb. 16, 2016**

(54) **BLADE FOR ULTRASONIC SURGICAL INSTRUMENT**

FOREIGN PATENT DOCUMENTS

(71) Applicant: **Ethicon Endo-Surgery, Inc.**, Cincinnati, OH (US)

EP 0 968 684 1/2000
EP 1 110 509 6/2001

(Continued)

(72) Inventors: **Timothy G. Dietz**, Wayne, PA (US);
Stephen J. Balek, Springboro, OH (US);
David A. Witt, Maineville, OH (US);
Ashvani K. Madan, Mason, OH (US);
Benjamin M. Boyd, Fairborn, OH (US)

OTHER PUBLICATIONS

Cobra Energized Cobb Elevator, Product Flyer, Elliquence, LLC, 2012.

(Continued)

(73) Assignee: **Ethicon Endo-Surgery, LLC**, Guaynabo, PR (US)

Primary Examiner — Robert M Spear
Assistant Examiner — Marissa J Cash

(**) Term: **14 Years**

(74) *Attorney, Agent, or Firm* — Frost Brown Todd LLC

(21) Appl. No.: **29/492,794**

(57) **CLAIM**

The ornamental design for a blade for ultrasonic surgical instrument, as shown and described.

(22) Filed: **Jun. 3, 2014**

DESCRIPTION

Related U.S. Application Data

(63) Continuation-in-part of application No. 14/090,269, filed on Nov. 26, 2013.

(51) **LOC (10) Cl.** **24-02**

(52) **U.S. Cl.**
USPC **D24/146**

(58) **Field of Classification Search**
USPC D7/649; D8/93, 97, 300, 310, 311, 313;
D19/110, 115; D24/127, 130, 133,
D24/146, 147, 148
CPC B26B 3/00; B26B 1/10; B26B 5/005;
A61B 17/809; A61B 17/1617; A61B 17/3211;
A61B 5/1411; A61B 17/3417
See application file for complete search history.

FIG. 1 is a top perspective view of a blade for ultrasonic surgical instrument, showing my/our new design;
FIG. 2 is a bottom perspective view thereof;
FIG. 3 is a top plan view thereof;
FIG. 4 is a bottom plan view thereof;
FIG. 5 is a left elevational view thereof;
FIG. 6 is a right elevational view thereof;
FIG. 7 is a rear elevational view thereof;
FIG. 8 is a front elevational view thereof;
FIG. 9 is a cross-sectional view thereof, taken along line 9-9 of FIG. 3;
FIG. 10 is a cross-sectional view thereof, taken along line 10-10 of FIG. 3;
FIG. 11 is a cross-sectional view thereof, taken along line 11-11 of FIG. 3; and,
FIG. 12 is a cross-sectional view thereof, taken along line 12-12 of FIG. 3.

The lateral recess and proximal end portion shown in broken lines is/are unclaimed environment, and form no part of the claimed design.

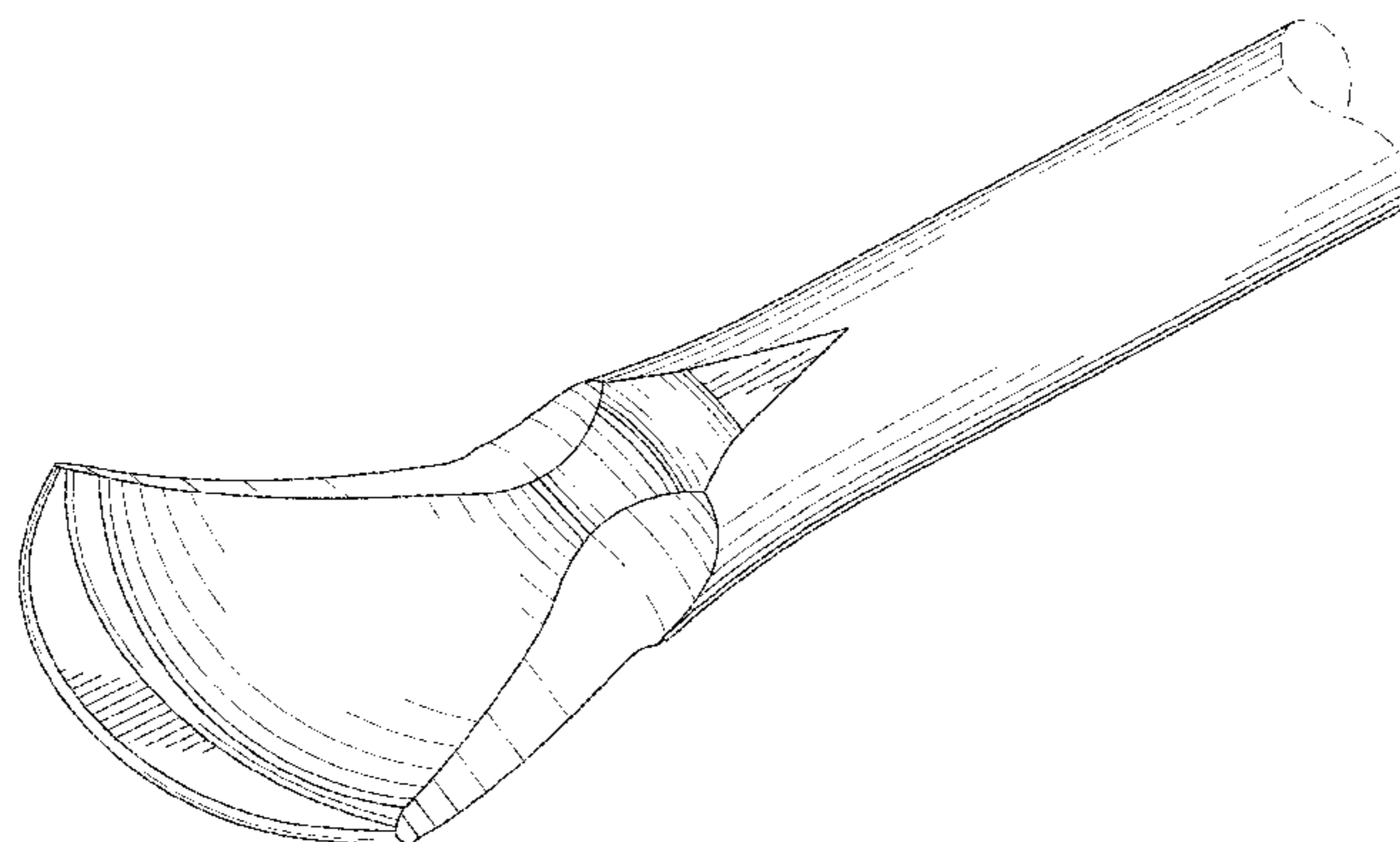
(56) **References Cited**

U.S. PATENT DOCUMENTS

80,242 A * 7/1868 Tongue 30/308
D37,007 S * 6/1904 Munro D7/649

(Continued)

1 Claim, 12 Drawing Sheets



(56)

References Cited

U.S. PATENT DOCUMENTS

3,990,452 A 11/1976 Murry et al.
 5,023,988 A * 6/1991 Lamond 29/426.1
 D339,419 S 9/1993 Hood et al.
 5,261,922 A 11/1993 Hood
 D342,313 S 12/1993 Hood et al.
 D344,801 S 3/1994 Hughes et al.
 D346,024 S 4/1994 Hood et al.
 5,318,570 A 6/1994 Hood et al.
 5,322,055 A 6/1994 Davison et al.
 5,324,299 A 6/1994 Davison et al.
 5,873,873 A 2/1999 Smith et al.
 5,980,510 A 11/1999 Tsonton et al.
 6,283,981 B1 9/2001 Beaupre
 6,309,400 B2 10/2001 Beaupre
 D450,676 S 11/2001 Huttner
 6,325,811 B1 12/2001 Messerly
 6,328,751 B1 12/2001 Beaupre
 6,423,082 B1 7/2002 Houser et al.
 6,436,115 B1 8/2002 Beaupre
 6,585,745 B2 7/2003 Cimino
 D483,870 S * 12/2003 Scheller et al. D24/146
 6,660,017 B2 12/2003 Beaupre
 6,773,444 B2 8/2004 Messerly
 6,783,524 B2 8/2004 Anderson et al.
 6,790,211 B1 9/2004 McPherson et al.
 6,976,969 B2 12/2005 Messerly
 D515,213 S * 2/2006 Huttner D24/147
 D546,948 S * 7/2007 Huttner D24/147
 7,300,446 B2 11/2007 Beaupre
 D603,046 S * 10/2009 Frey D24/146
 D612,049 S 3/2010 Baynham
 7,758,600 B2 7/2010 Beaupre
 8,002,783 B2 8/2011 Vercellotti et al.
 8,016,843 B2 9/2011 Escaf
 8,057,498 B2 11/2011 Robertson
 8,152,825 B2 4/2012 Madan et al.
 8,241,312 B2 8/2012 Messerly
 D667,117 S 9/2012 Darian et al.
 8,313,489 B2 * 11/2012 Adams et al. 606/80
 8,343,178 B2 1/2013 Novak et al.

D680,218 S 4/2013 Darian et al.
 D685,087 S * 6/2013 Voic D24/133
 8,461,744 B2 6/2013 Wiener et al.
 8,591,536 B2 11/2013 Robertson
 D697,207 S * 1/2014 Paget et al. D24/146
 8,623,027 B2 1/2014 Price et al.
 2002/0040228 A1 * 4/2002 Freier et al. 606/167
 2006/0079874 A1 4/2006 Faller et al.
 2007/0191713 A1 8/2007 Eichmann et al.
 2007/0282333 A1 12/2007 Fortson et al.
 2008/0200940 A1 8/2008 Eichmann et al.
 2008/0234710 A1 9/2008 Neurohr et al.
 2009/0326535 A1 12/2009 Blus
 2010/0057118 A1 3/2010 Dietz et al.
 2010/0069940 A1 3/2010 Miller et al.
 2011/0087212 A1 4/2011 Aldridge et al.
 2011/0160624 A1 6/2011 Babaev
 2012/0010537 A1 1/2012 Young et al.
 2012/0112687 A1 5/2012 Houser et al.
 2012/0116265 A1 5/2012 Houser et al.
 2013/0103066 A1 4/2013 Rad
 2013/0116717 A1 5/2013 Balek et al.
 2014/0005701 A1 1/2014 Olson et al.
 2014/0114334 A1 4/2014 Olson et al.
 2014/0163595 A1 6/2014 Witt et al.
 2014/0257296 A1 * 9/2014 Morgenstern Lopez 606/80
 2014/0296901 A1 * 10/2014 Derwin et al. 606/185

FOREIGN PATENT DOCUMENTS

EP 2 438 876 4/2012
 GB 2365775 2/2002
 GB 2 442 137 3/2008
 WO WO 2012/0149361 11/2012

OTHER PUBLICATIONS

International Search Report dated Apr. 3, 2014 for Application No. PCT/US2013/072139.
 U.S. Appl. No. 61/410,603, filed Nov. 5, 2010.
 U.S. Appl. No. 61/734,636, filed Dec. 7, 2012.

* cited by examiner

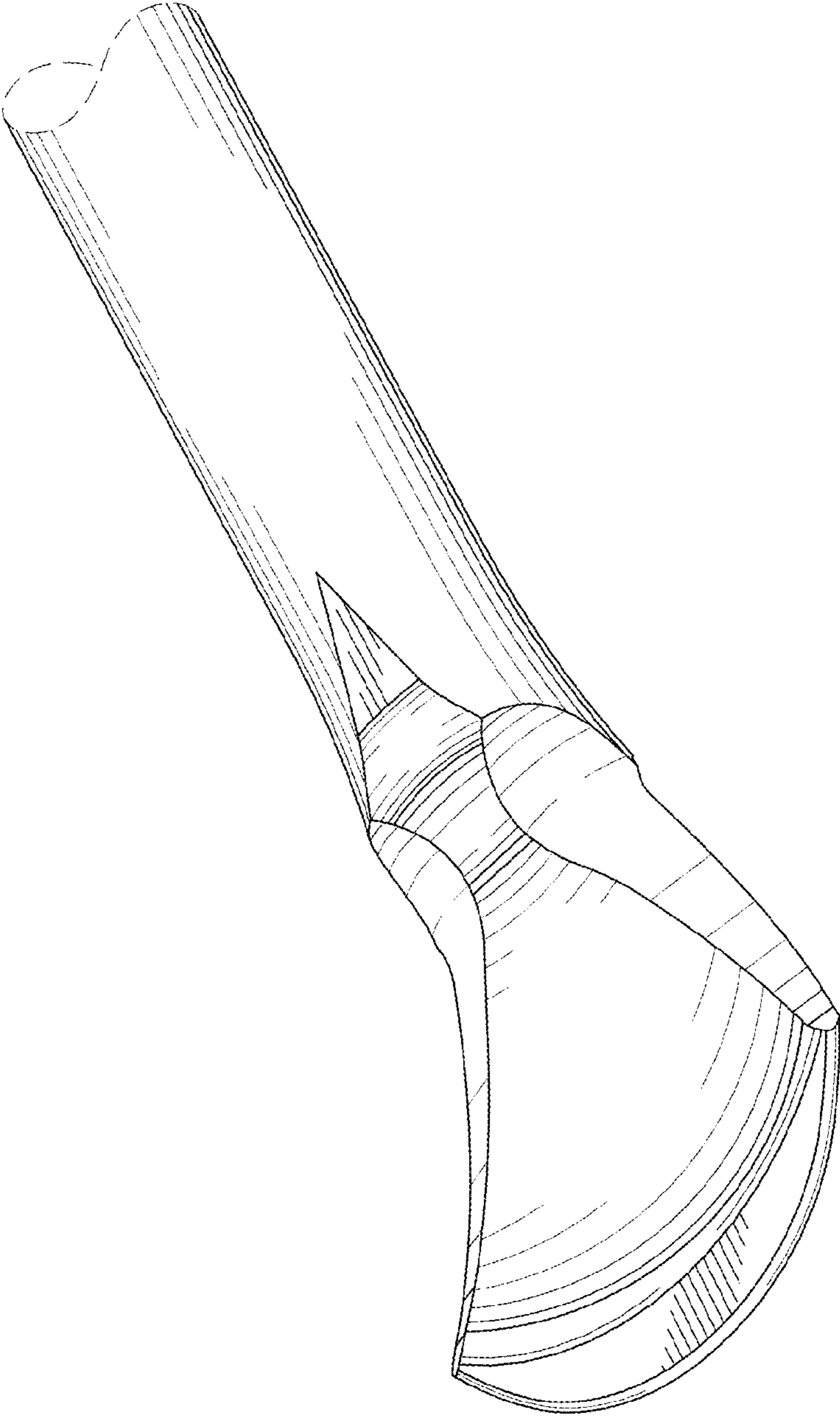


Fig. 1

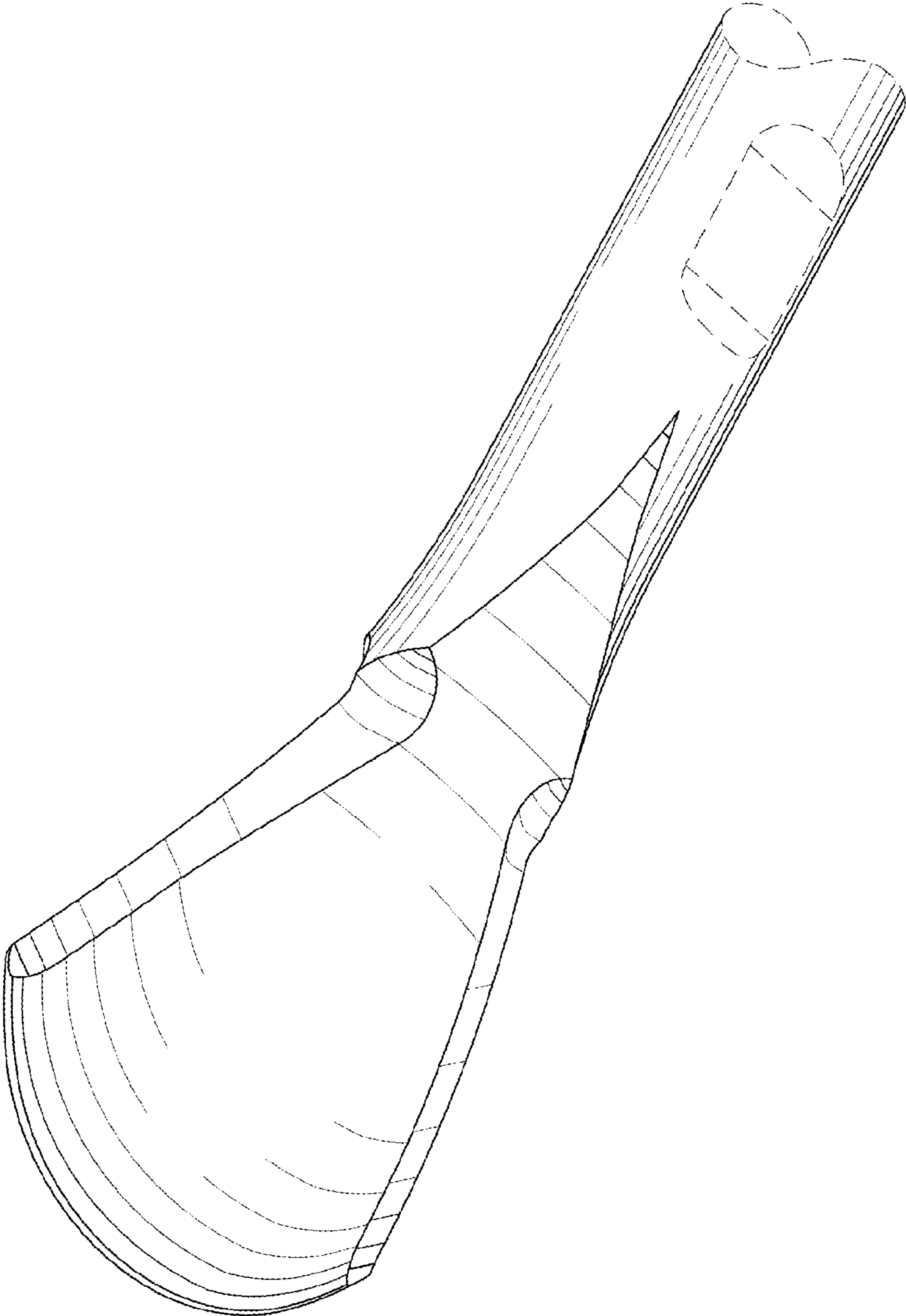


Fig. 2

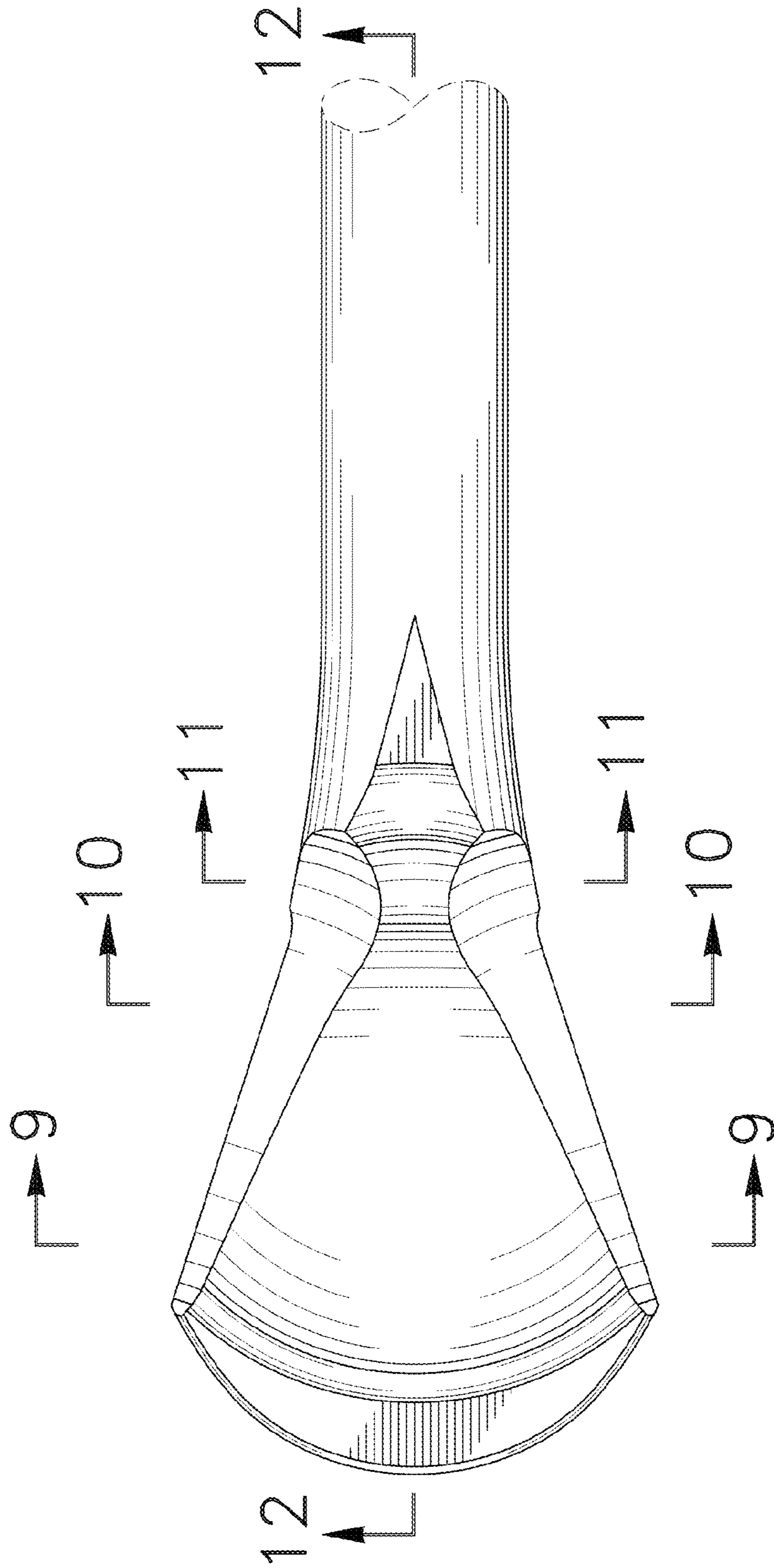


Fig. 3

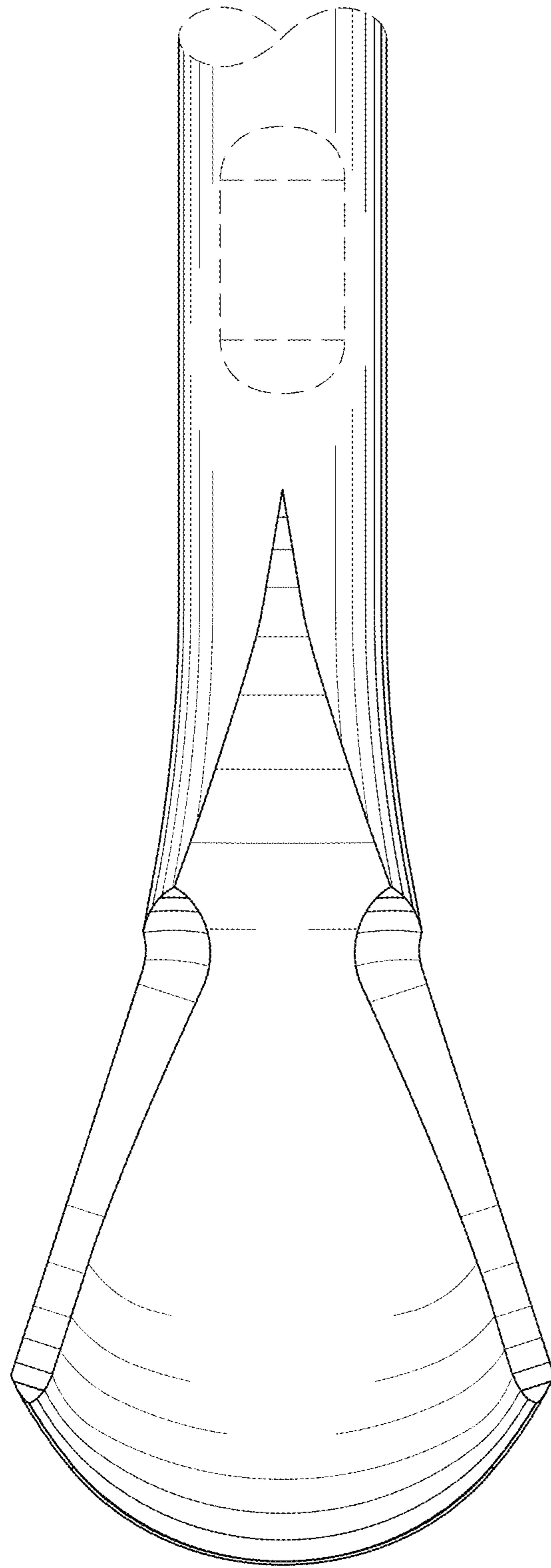


Fig. 4

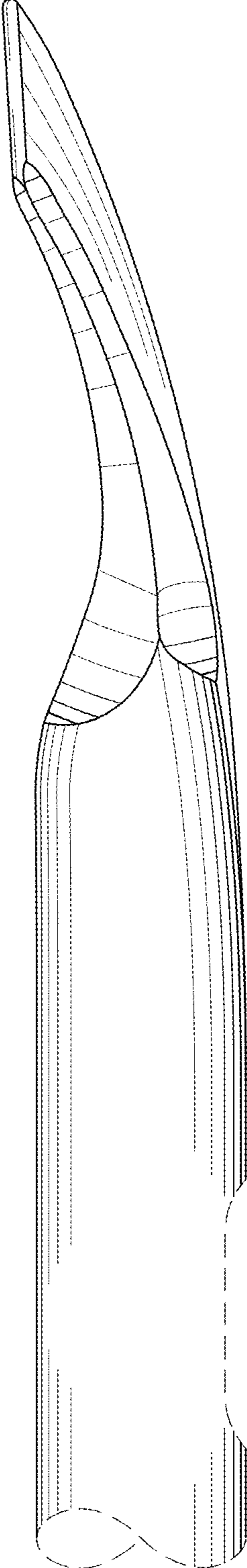


Fig. 5

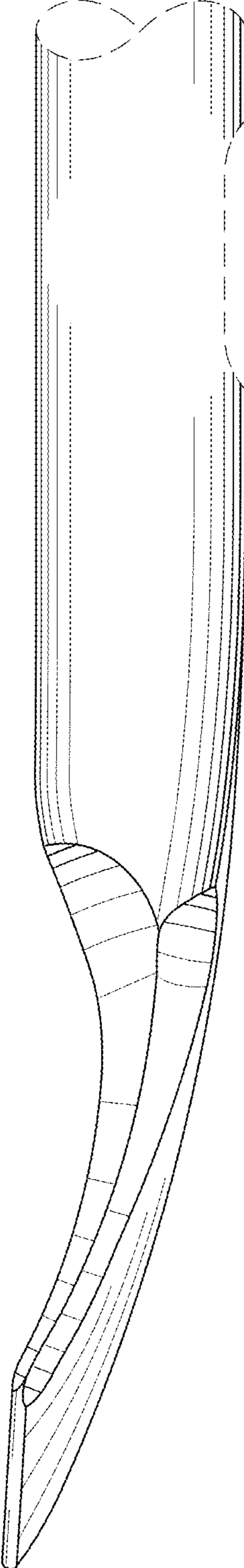


Fig. 6

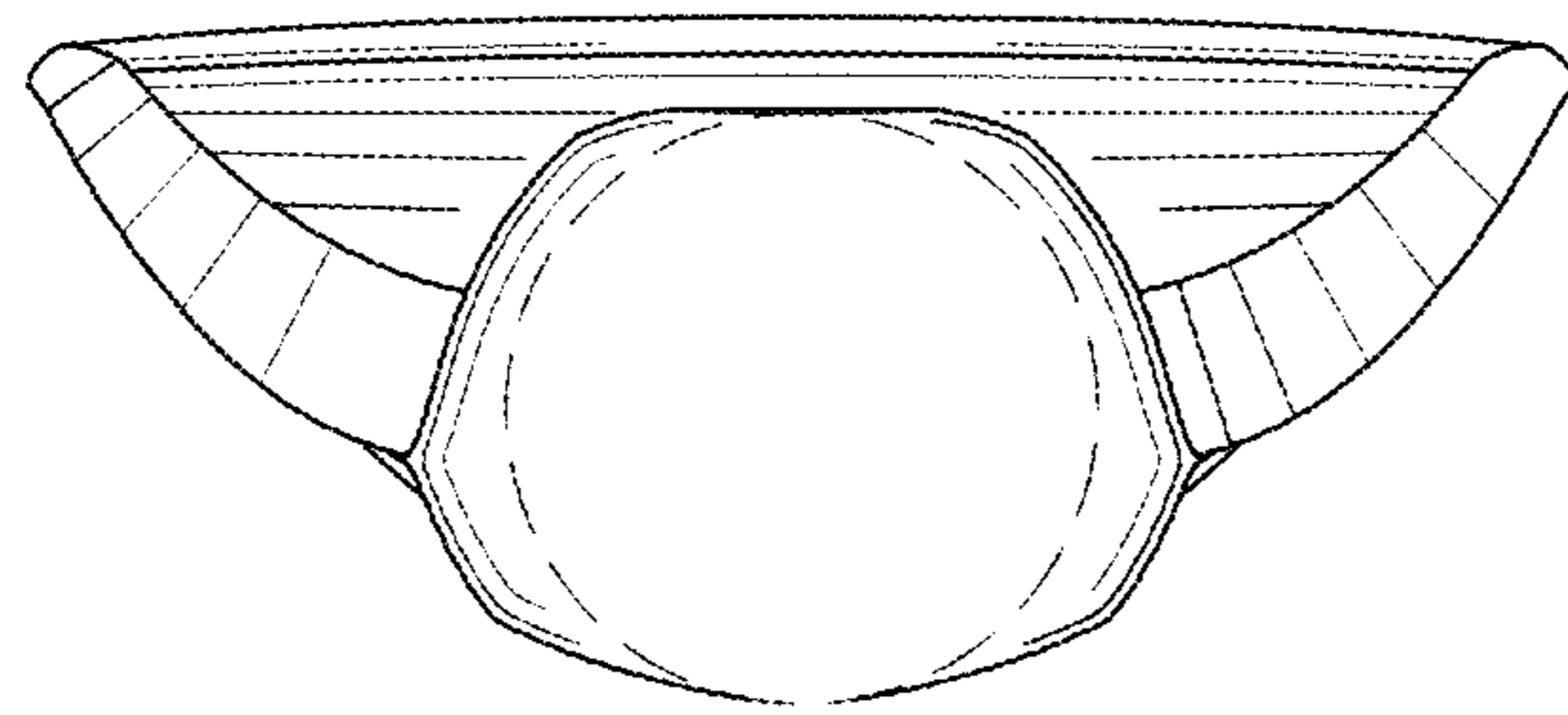


Fig. 7

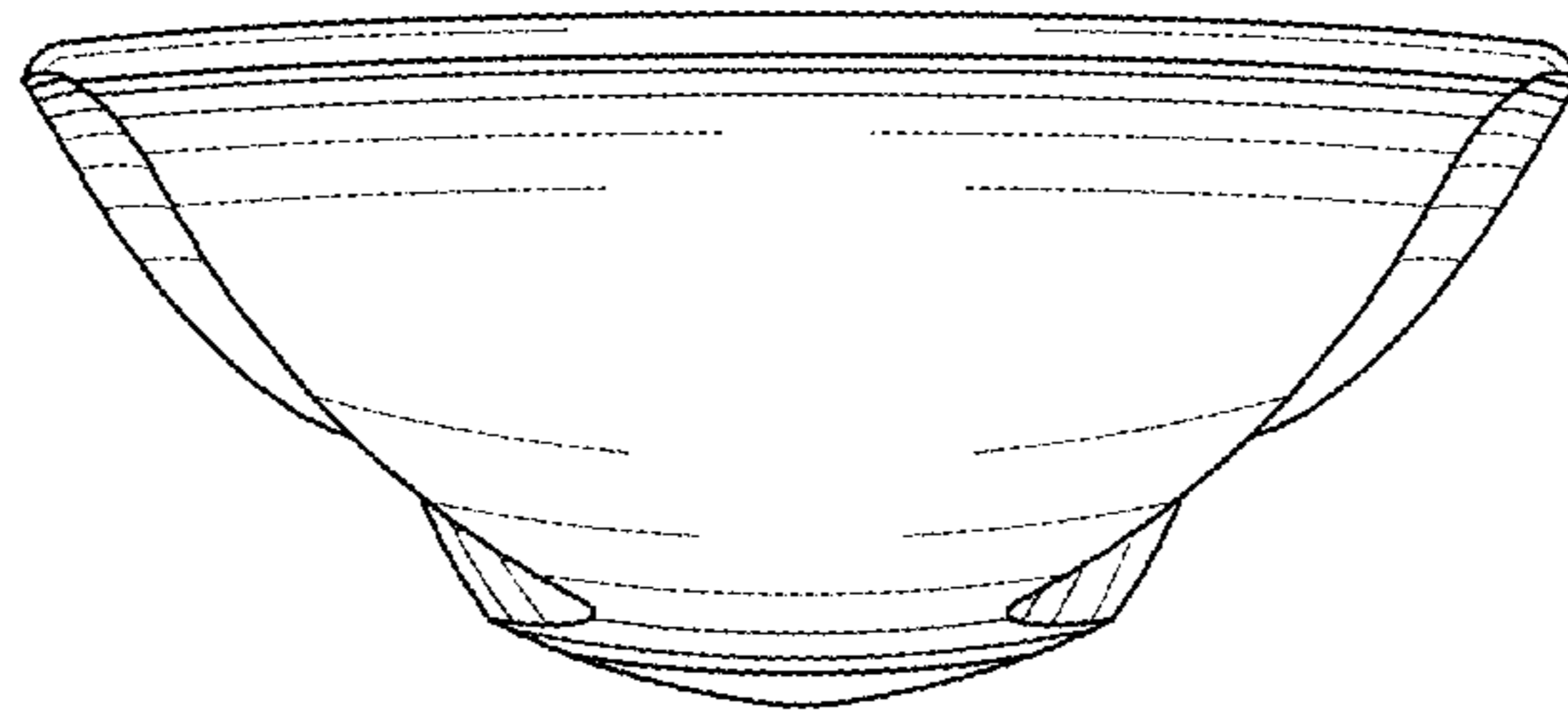


Fig.8

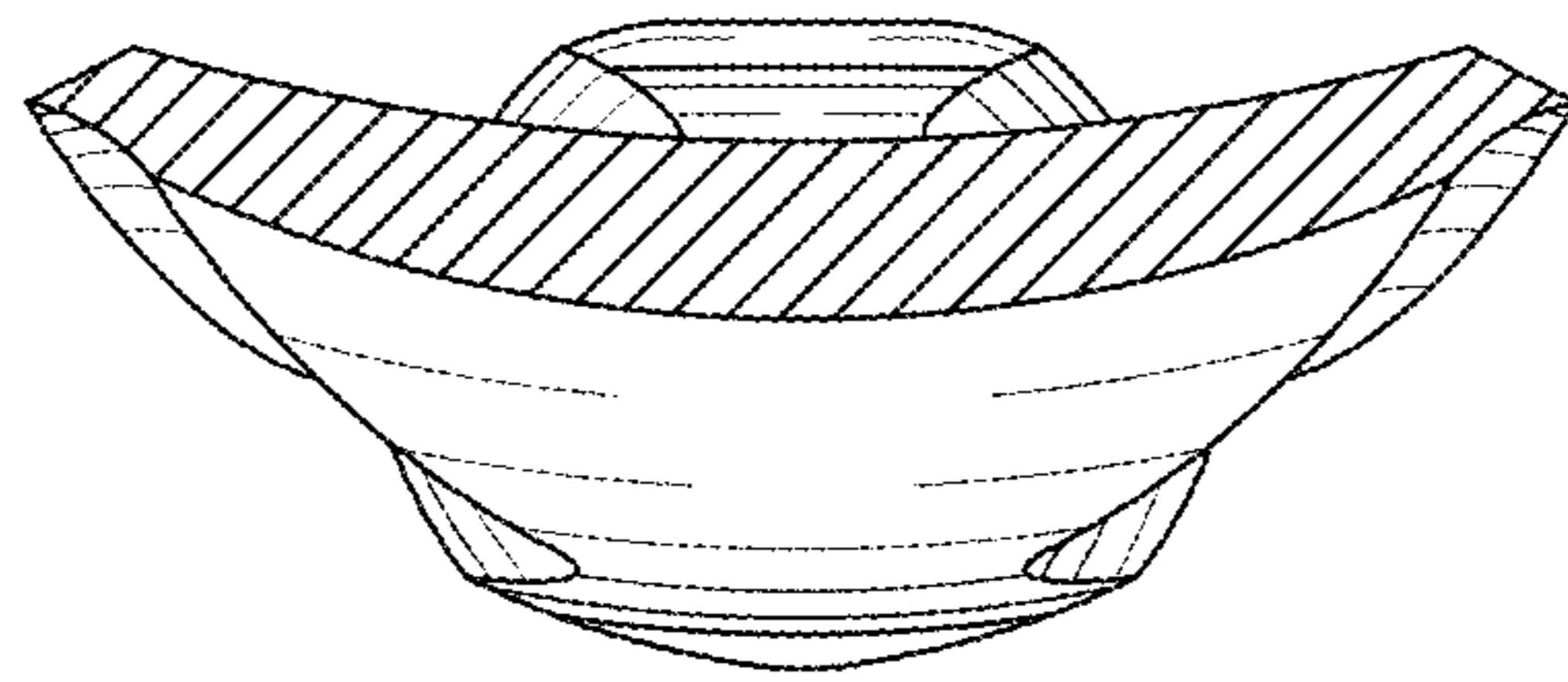


Fig.9

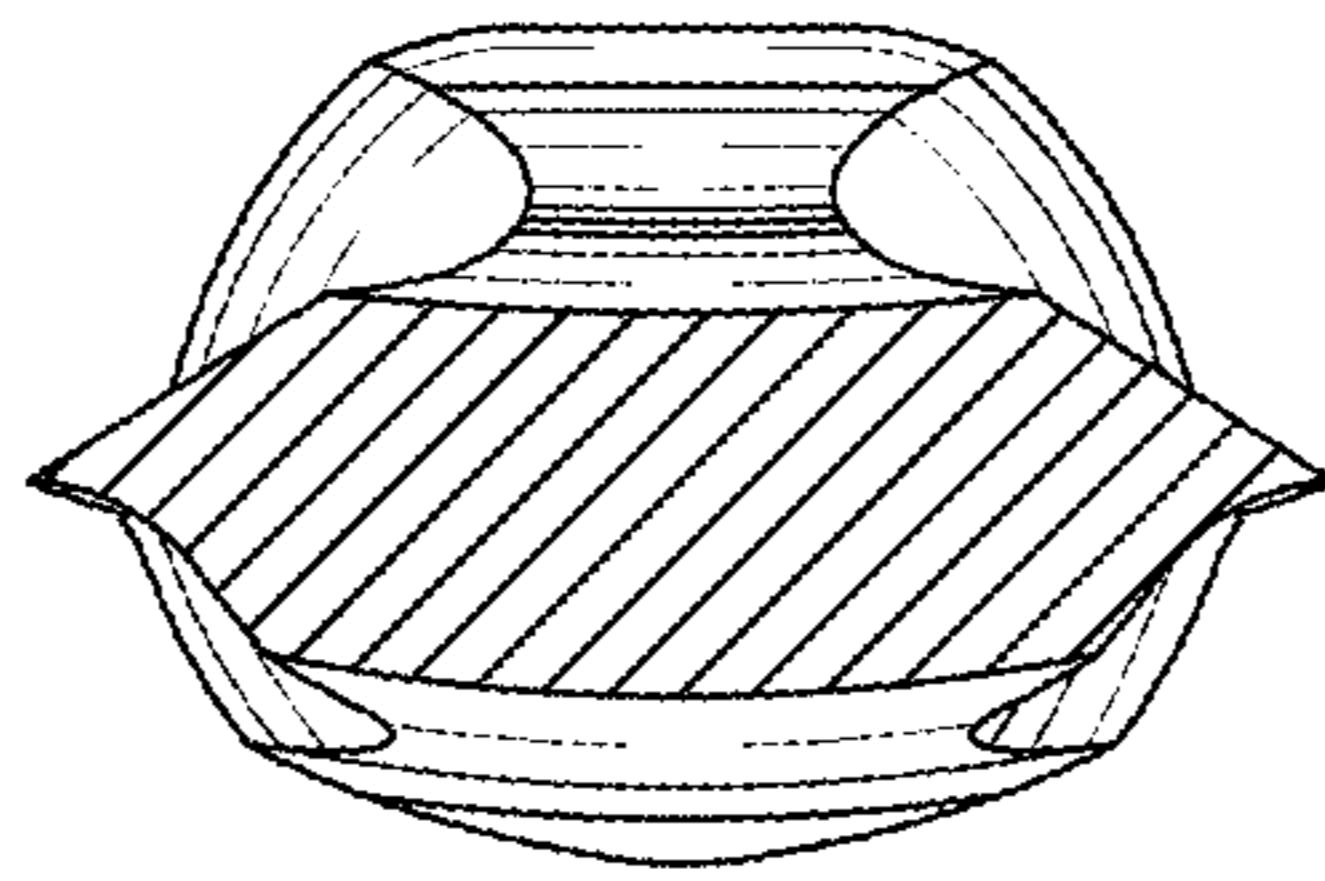


Fig. 10

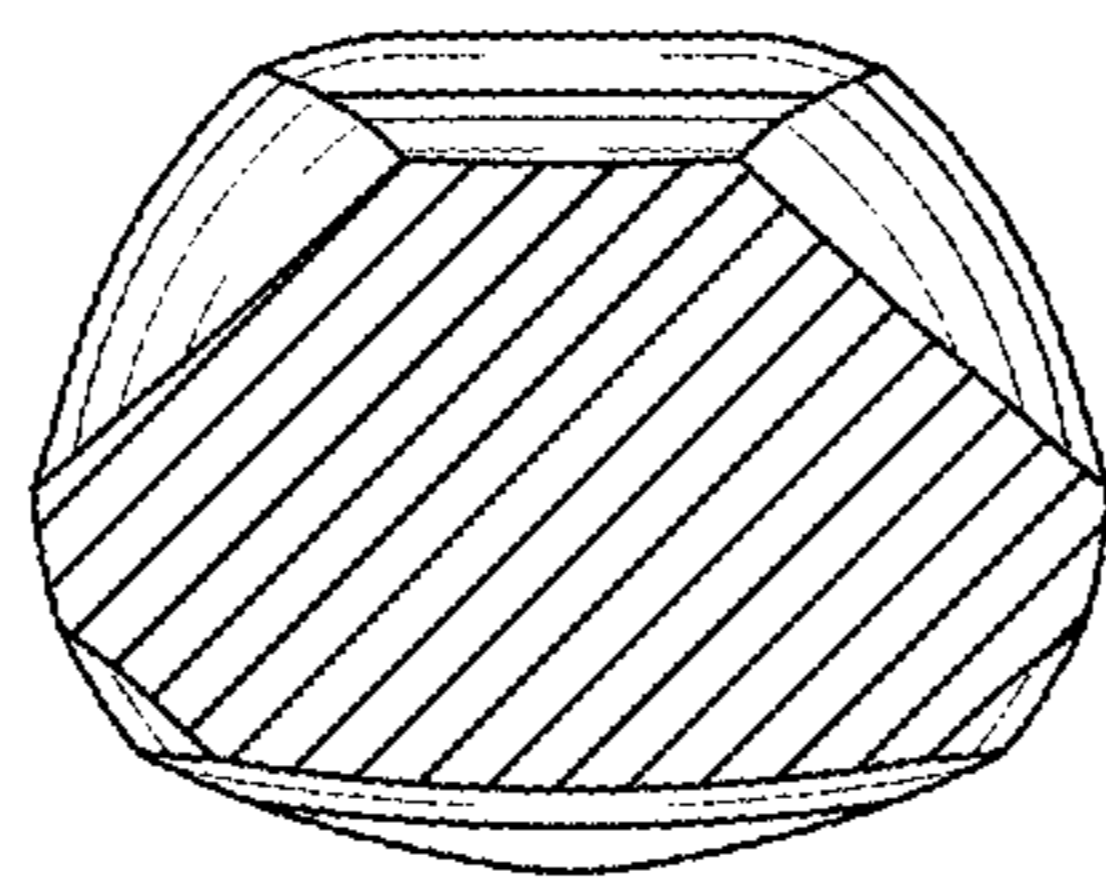


Fig. 11

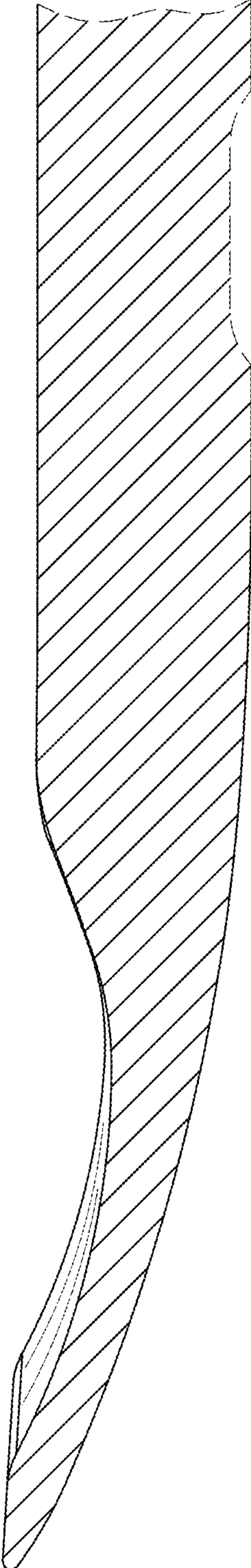


Fig. 12