



US00D749727S

(12) **United States Design Patent**
Wapler et al.

(10) **Patent No.:** **US D749,727 S**
(45) **Date of Patent:** **** Feb. 16, 2016**

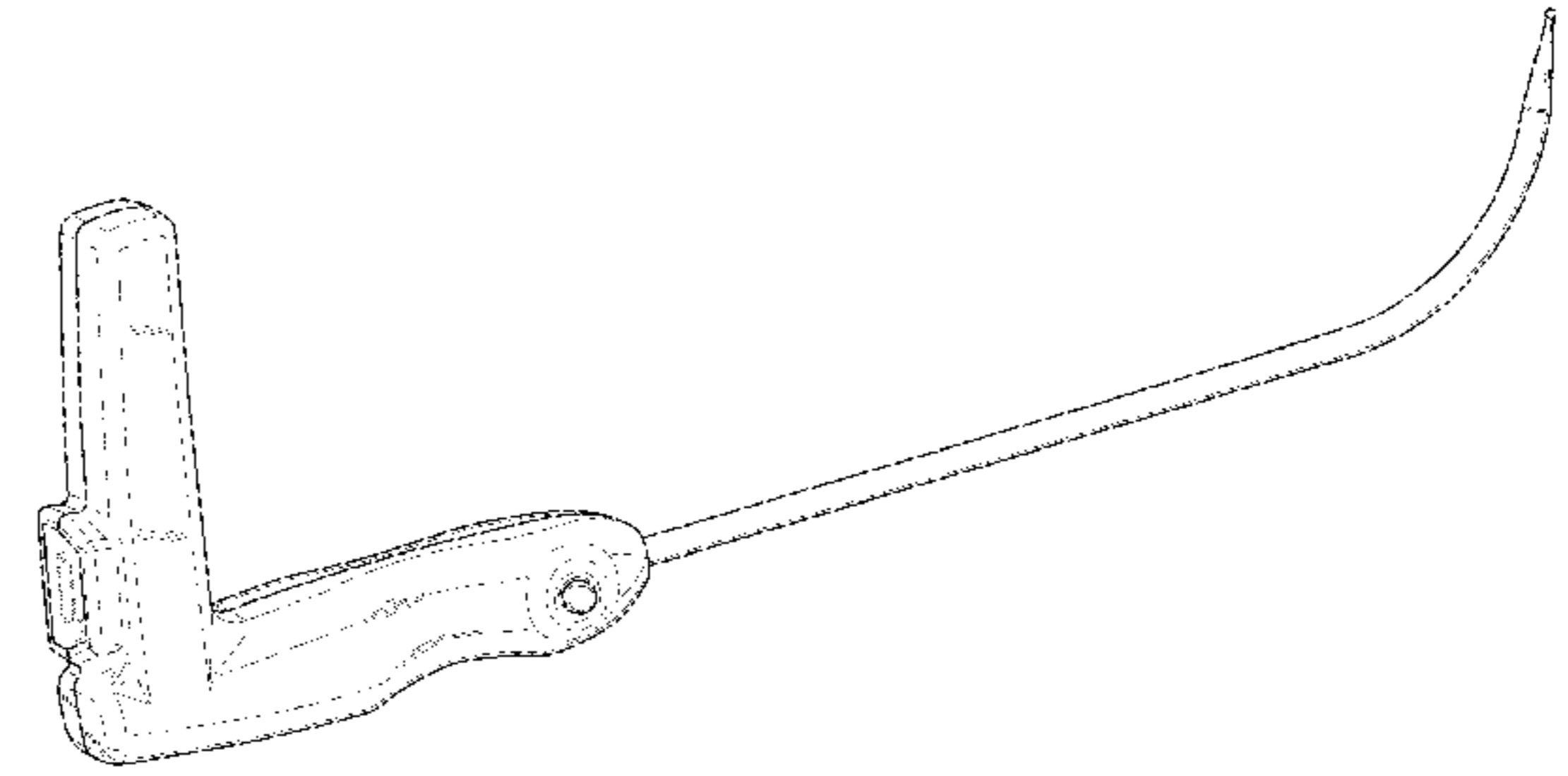
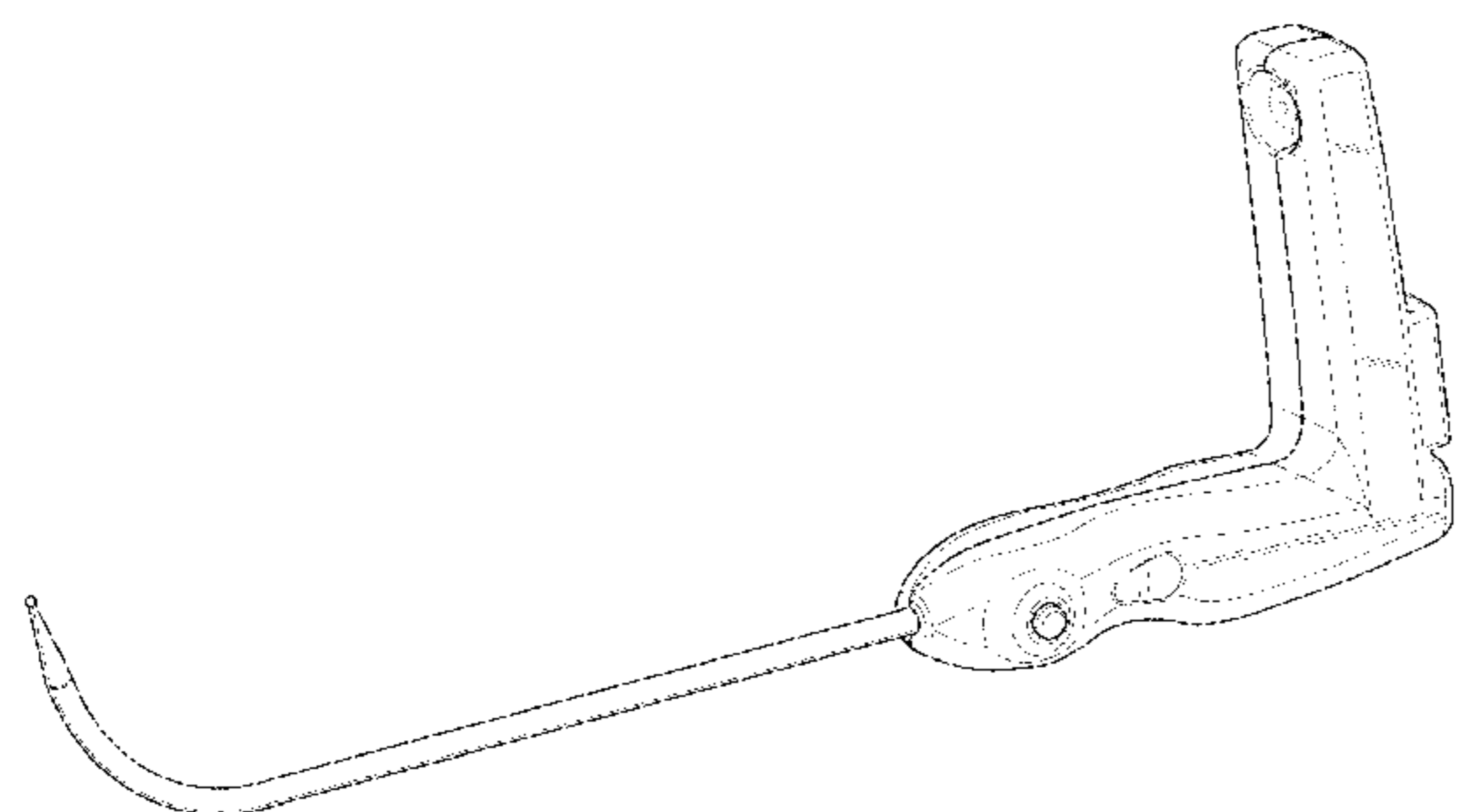
- (54) **SURGICAL NAVIGATION TOOL**
- (71) Applicant: **Stryker European Holdings I, LLC**,
Kalamazoo, MI (US)
- (72) Inventors: **Matthias Wapler**, Kirchzarten (DE);
Sascha Kubis, Freiburg (DE)
- (73) Assignee: **STRYKER EUROPEAN HOLDINGS,**
I, LLC, Kalamazoo, MI (US)
- (**) Term: **14 Years**
- (21) Appl. No.: **29/511,425**
- (22) Filed: **Dec. 10, 2014**
- (30) **Foreign Application Priority Data**
Nov. 5, 2014 (EM) 001424378-0003
- (51) **LOC (10) Cl.** **24-02**
- (52) **U.S. Cl.**
USPC **D24/133**
- (58) **Field of Classification Search**
USPC D24/133, 137-138, 143-144, 145-147;
128/897, 898, 899; 600/104, 153, 154,
600/564; 604/22, 27; 606/1, 37, 104, 130,
606/139, 148, 167, 220, 232
CPC .. A61B 17/00; A61B 18/00; A61B 17/00491;
A61B 1/00105; A61B 1/0052; A61B 1/0058;
A61B 1/00052; A61B 1/00066; A61B
17/06109; A61B 17/8819; A61B 17/8825;
A61M 37/04
See application file for complete search history.

- (56) **References Cited**
U.S. PATENT DOCUMENTS
D449,693 S * 10/2001 Shibuya D24/112
D466,213 S * 11/2002 Snitkin D24/133
D704,332 S * 5/2014 Casey D24/133
D704,333 S * 5/2014 Casey D24/133
D717,431 S * 11/2014 Cardinale D24/133
* cited by examiner
Primary Examiner — Wan Laymon
Assistant Examiner — Mark Booker
(74) *Attorney, Agent, or Firm* — Howard & Howard
Attorneys PLLC

(57) **CLAIM**
The ornamental design for a surgical navigation tool, as shown and described.

DESCRIPTION
FIG. 1 is a right perspective view of a surgical navigation tool; FIG. 2 is a left perspective view of the surgical navigation tool; FIG. 3 is a left-side view of the surgical navigation tool; FIG. 4 is a right-side view of the surgical navigation tool; FIG. 5 is a top view of the surgical navigation tool; FIG. 6 is a bottom view of surgical navigation tool; FIG. 7 is a front view of the surgical navigation tool; and, FIG. 8 is a rear view of the surgical navigation tool. The broken lines shown in the figures represent portions of the article that form no part of the claimed design.

1 Claim, 6 Drawing Sheets



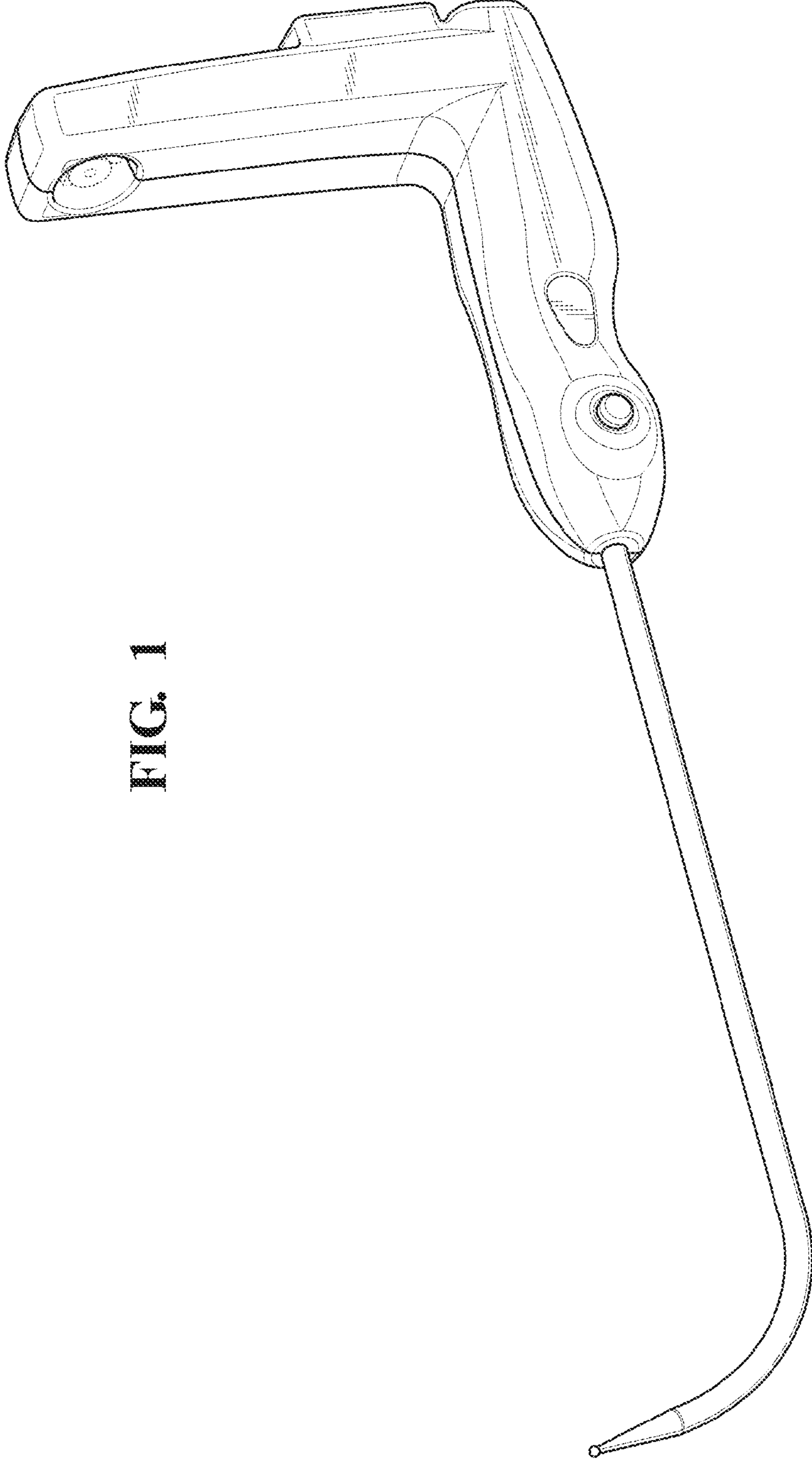


FIG. 1

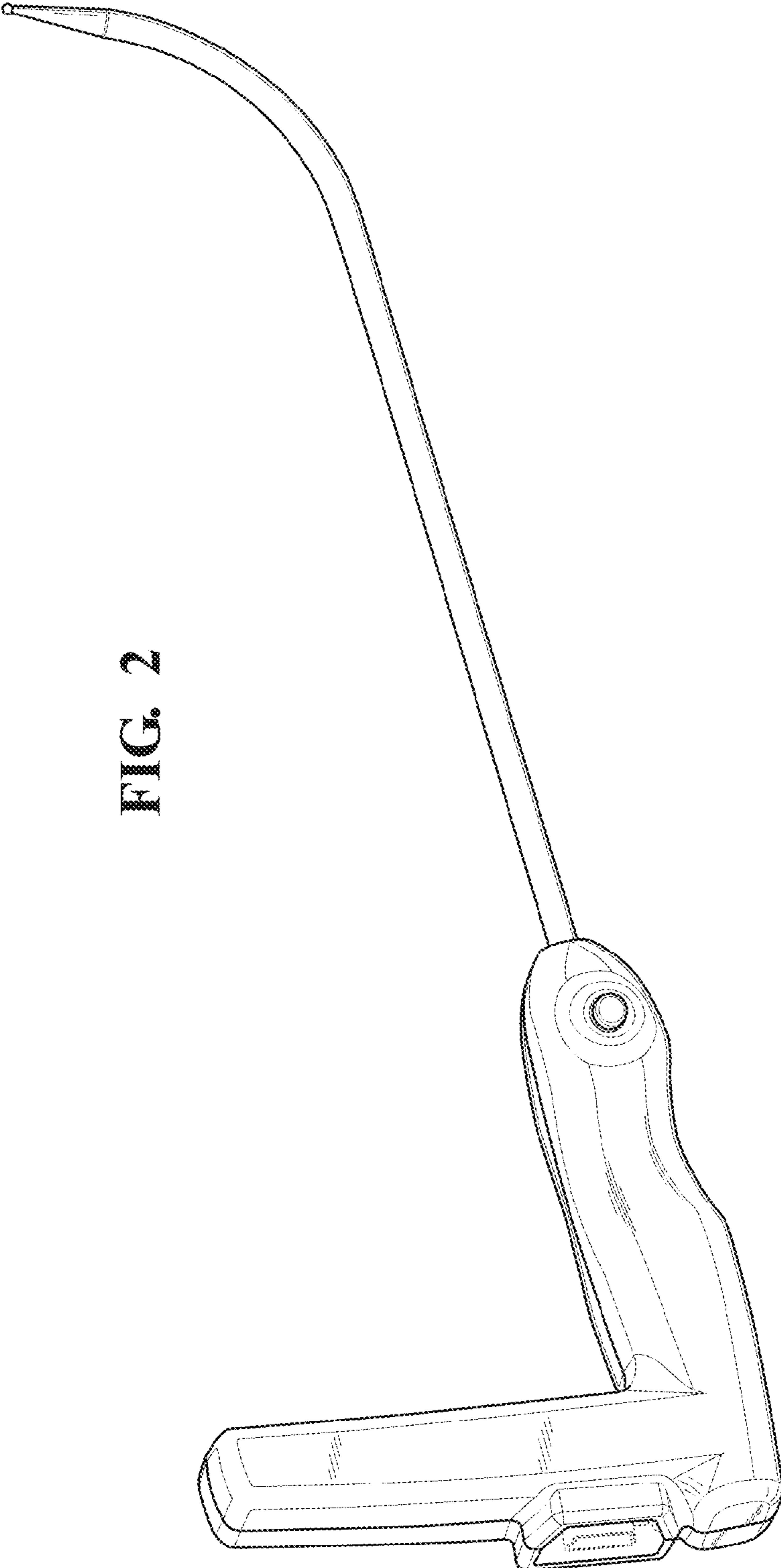


FIG. 2

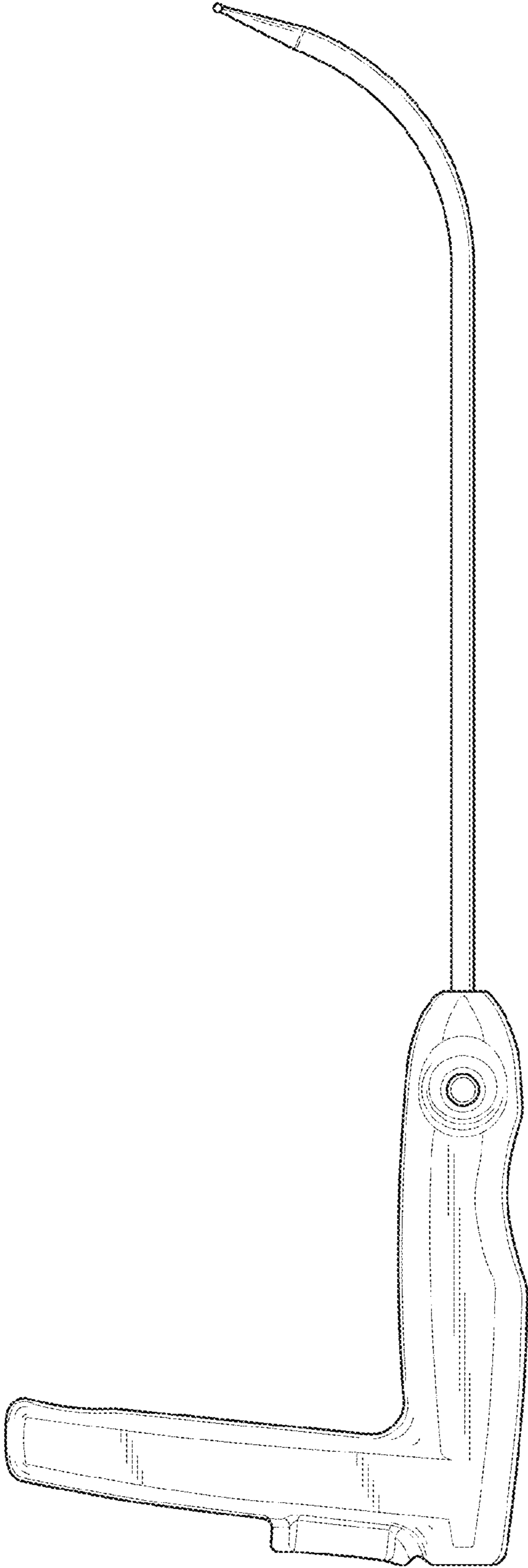


FIG. 3

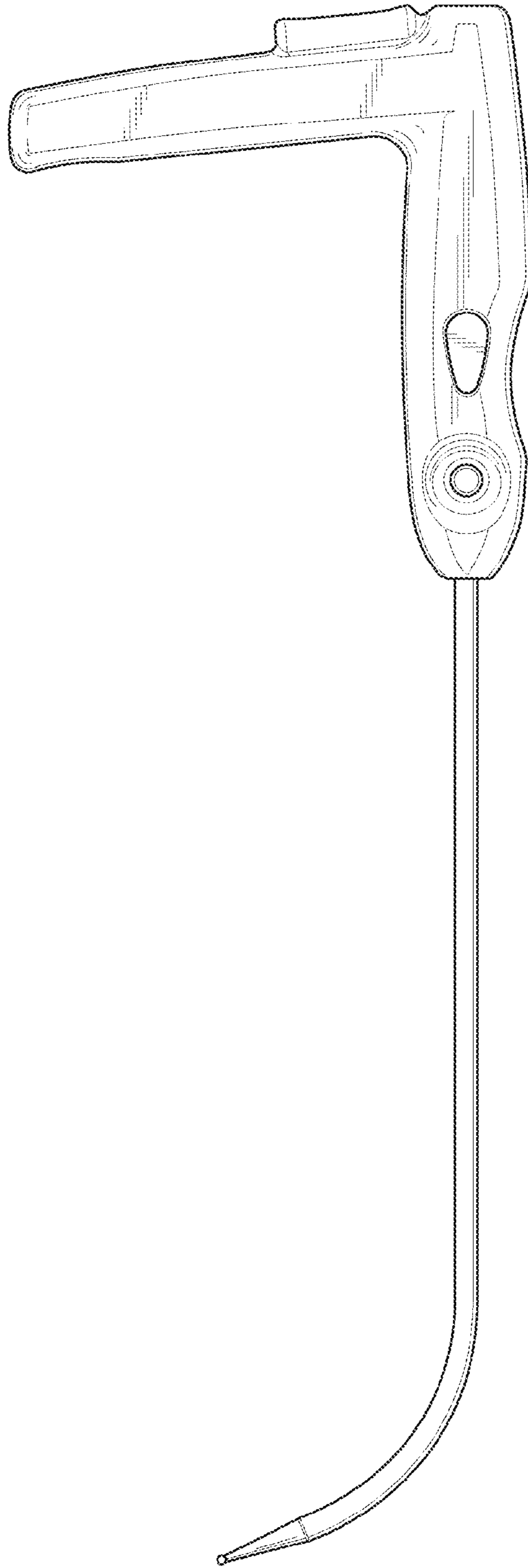


FIG. 4

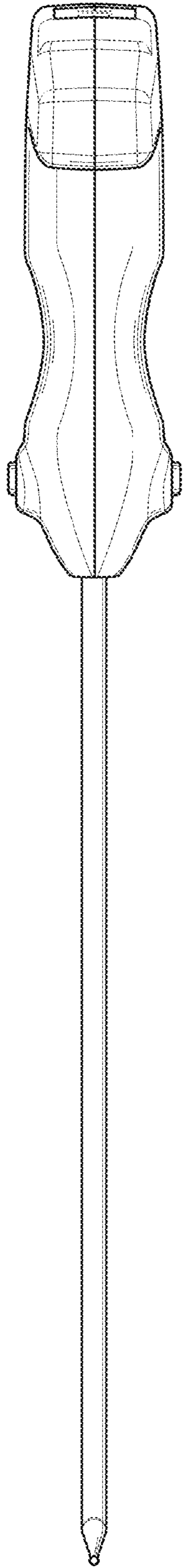


FIG. 5

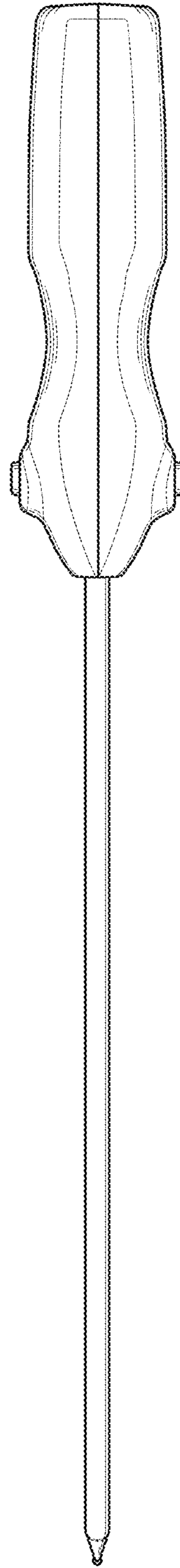


FIG. 6

FIG. 8

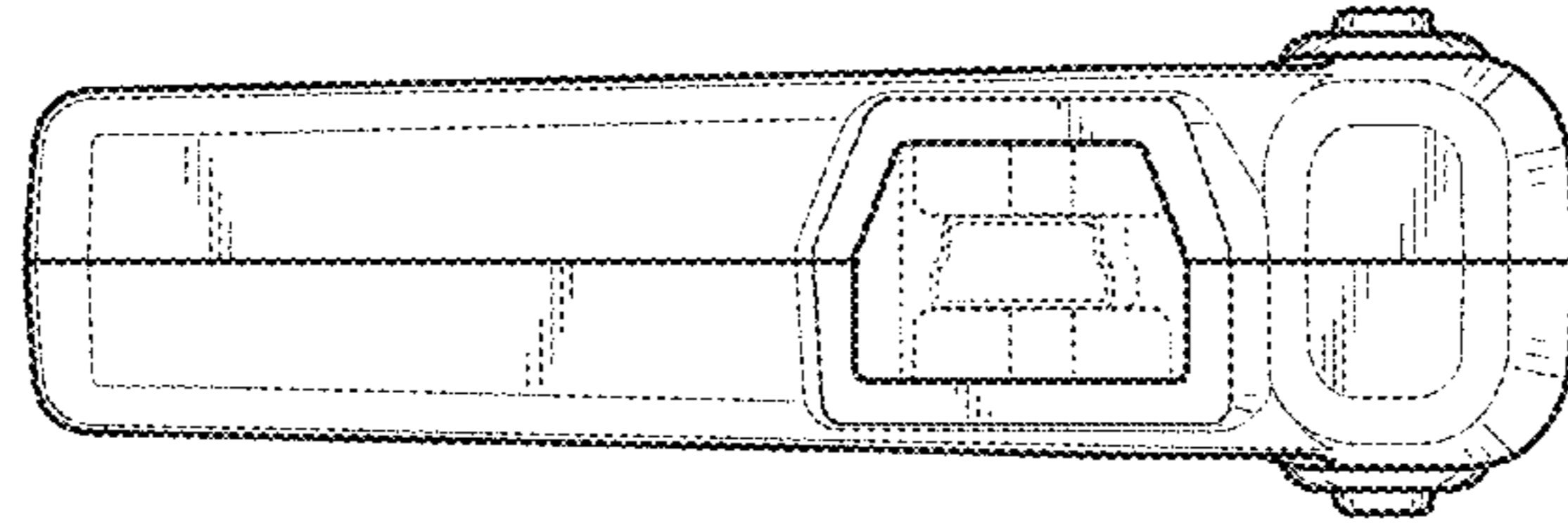


FIG. 7

