

US00D749725S

(12) **United States Design Patent**
Sauer

(10) **Patent No.:** **US D749,725 S**

(45) **Date of Patent:** **** *Feb. 16, 2016**

(54) **HANDHELD UTERINE MANIPULATOR WITH CERVICAL CUP**

(71) Applicant: **LSI Solutions, Inc.**, Victor, NY (US)

(72) Inventor: **Jude S. Sauer**, Pittsford, NY (US)

(73) Assignee: **LSI Solutions, Inc.**, Victor, NY (US)

(*) Notice: This patent is subject to a terminal disclaimer.

(**) Term: **14 Years**

(21) Appl. No.: **29/432,906**

(22) Filed: **Sep. 21, 2012**

(51) **LOC (10) Cl.** **24-02**

(52) **U.S. Cl.**
USPC **D24/133**

(58) **Field of Classification Search**
USPC D24/133, 135, 137, 138, 140; 606/119, 606/193

See application file for complete search history.

(56) **References Cited**

U.S. PATENT DOCUMENTS

D384,743	S	*	10/1997	Chia	D24/133
5,840,077	A	*	11/1998	Rowden et al.	606/119
D421,497	S	*	3/2000	Wattiez	D24/141
6,183,435	B1	*	2/2001	Bumbalough et al.	604/95.01
D619,707	S	*	7/2010	East	D24/133
D653,338	S	*	1/2012	Mangeshikar	D24/133
D667,550	S	*	9/2012	Keckstein	D24/141

D673,683	S	*	1/2013	McCormack et al.	D24/171
8,603,105	B2	*	12/2013	Sauer	606/119
2007/0260265	A1	*	11/2007	Walter	606/119
2008/0208210	A1	*	8/2008	Blair et al.	606/119
2009/0209973	A1	*	8/2009	East	606/119
2012/0330324	A1		12/2012	Sauer		

FOREIGN PATENT DOCUMENTS

WO 2012/177915 A2 12/2012

* cited by examiner

Primary Examiner — Bridget L Eland

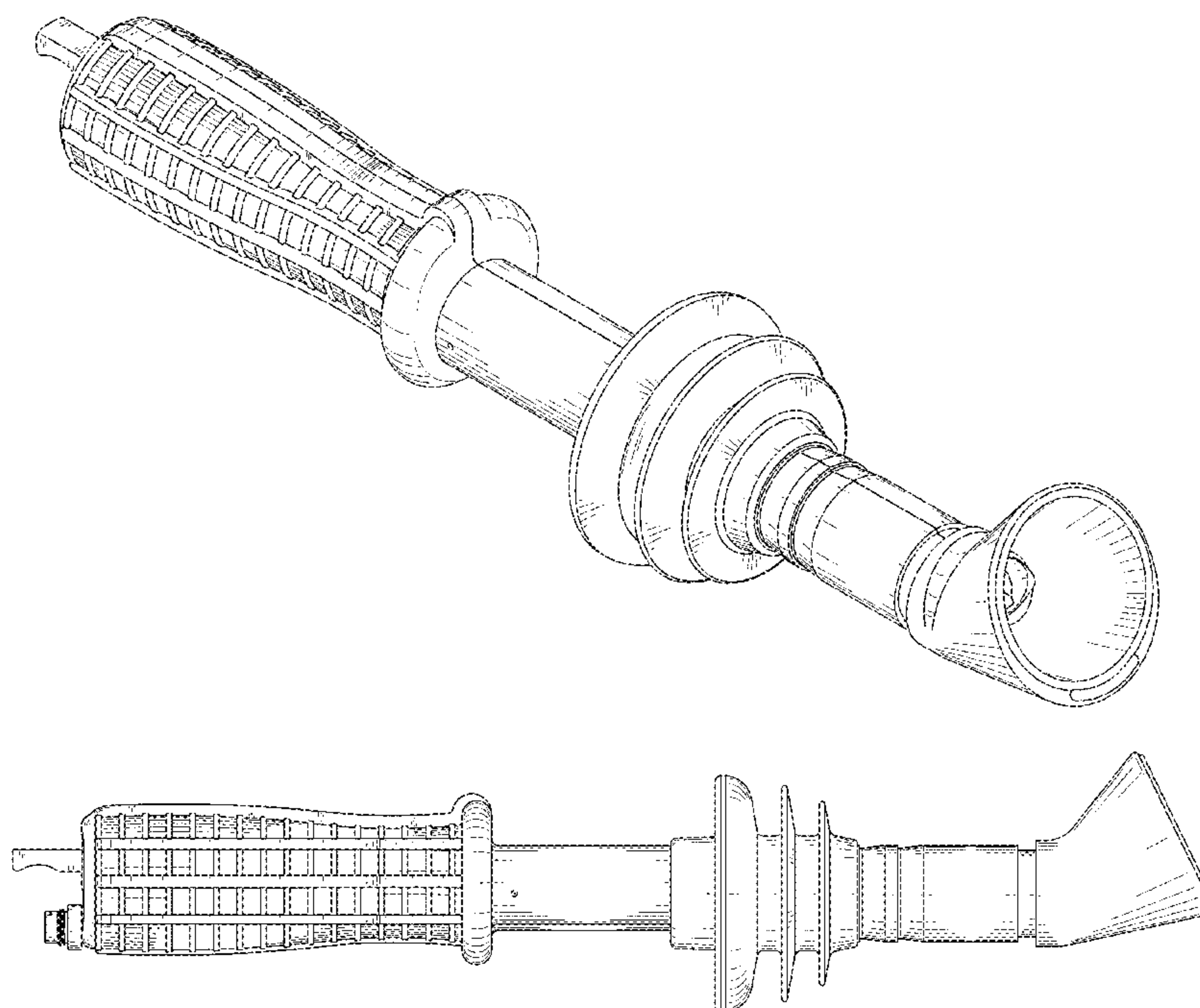
(57) **CLAIM**

The ornamental design for a handheld uterine manipulator with cervical cup, as shown and described.

DESCRIPTION

FIG. 1 is a front perspective view of a handheld uterine manipulator with cervical cup showing the present design; FIG. 2 is a rear perspective view thereof; FIG. 3 is a front elevational view thereof; FIG. 4 is a rear elevational view thereof; FIG. 5 is a left sider view thereof, the right side view being a mirror image thereof; FIG. 6 is a top plan view thereof; FIG. 7 is a bottom plan view thereof; and, FIG. 8 is a front perspective view thereof in another configuration.

1 Claim, 7 Drawing Sheets



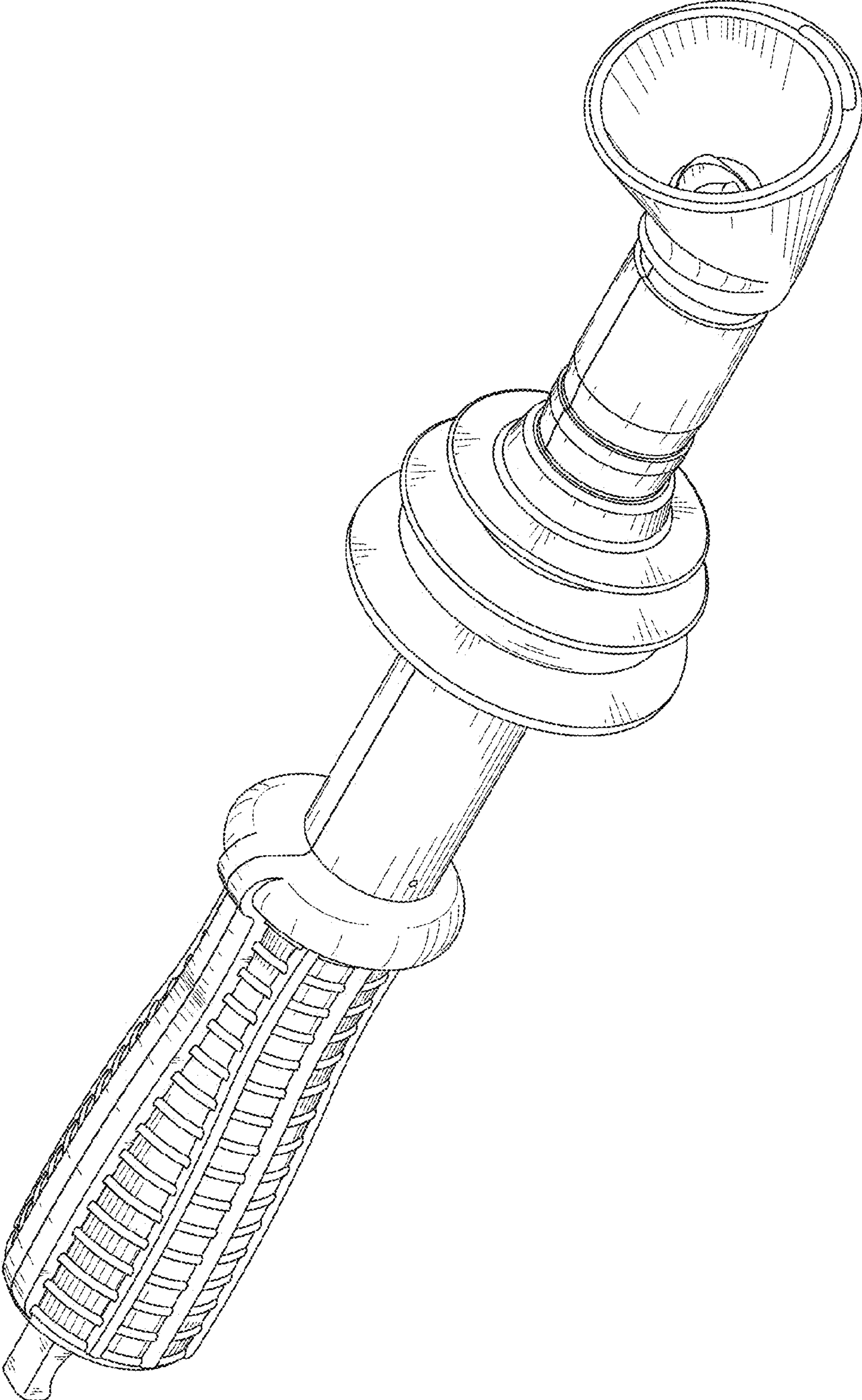


FIG. 1

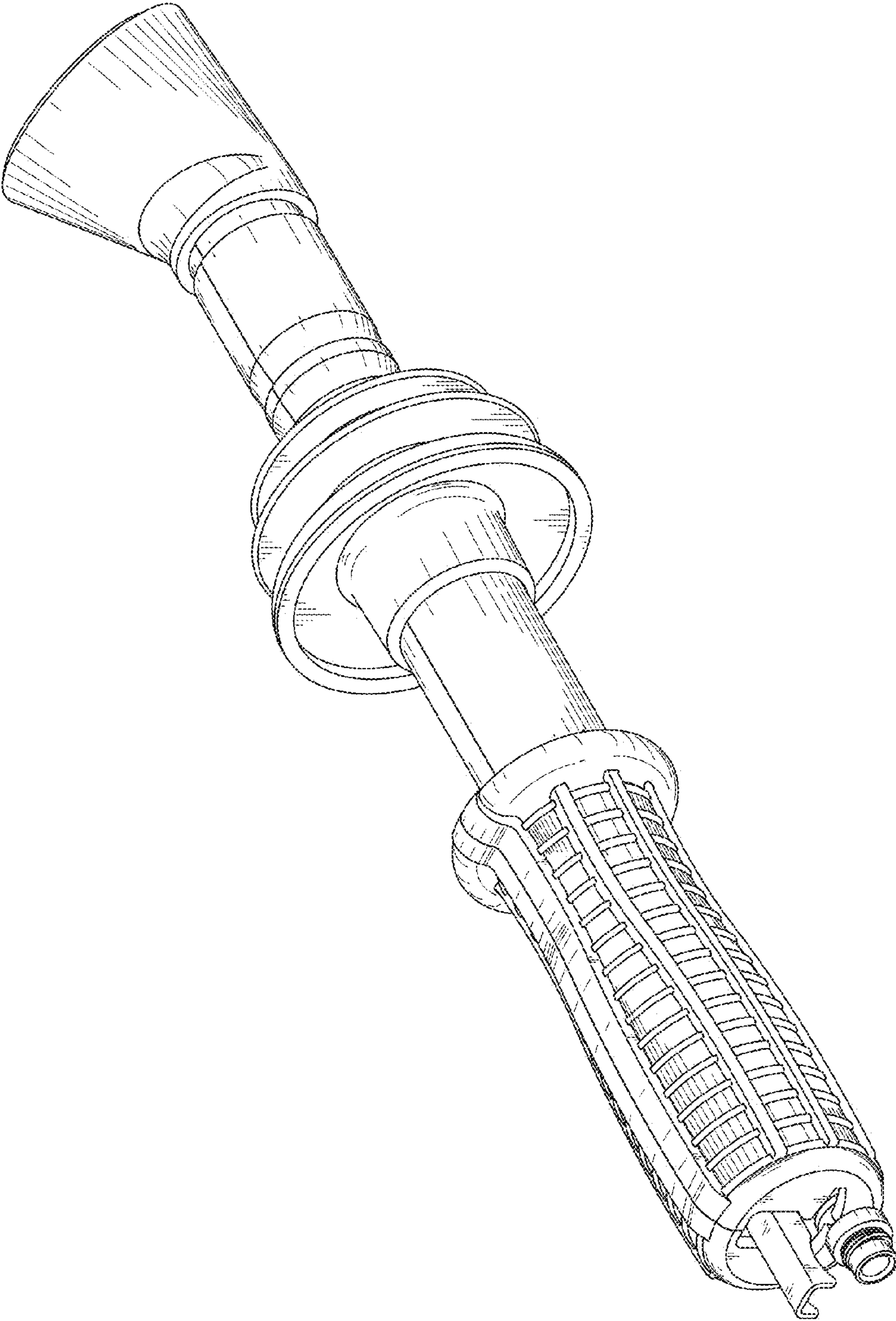


FIG. 2

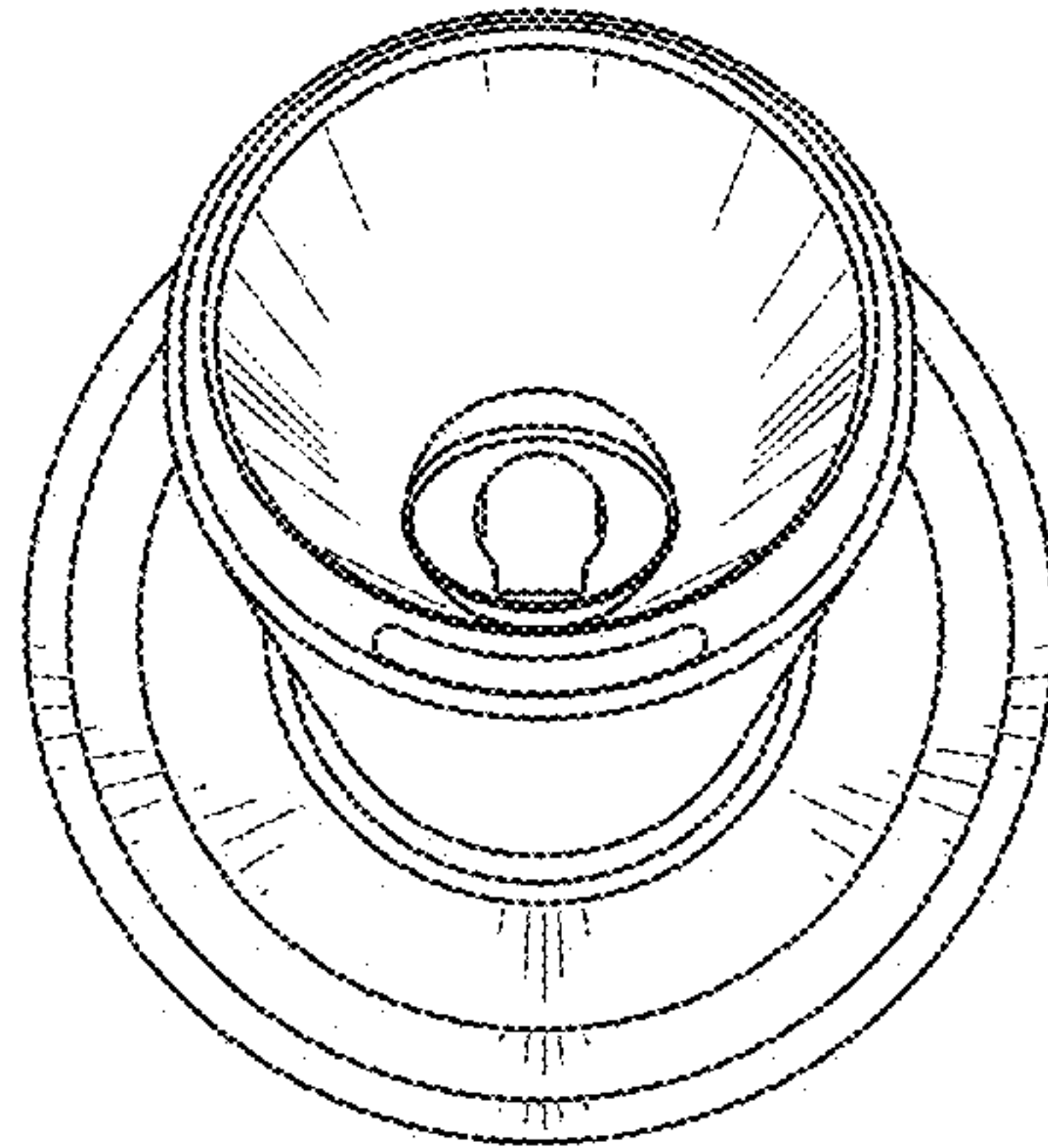


FIG. 3

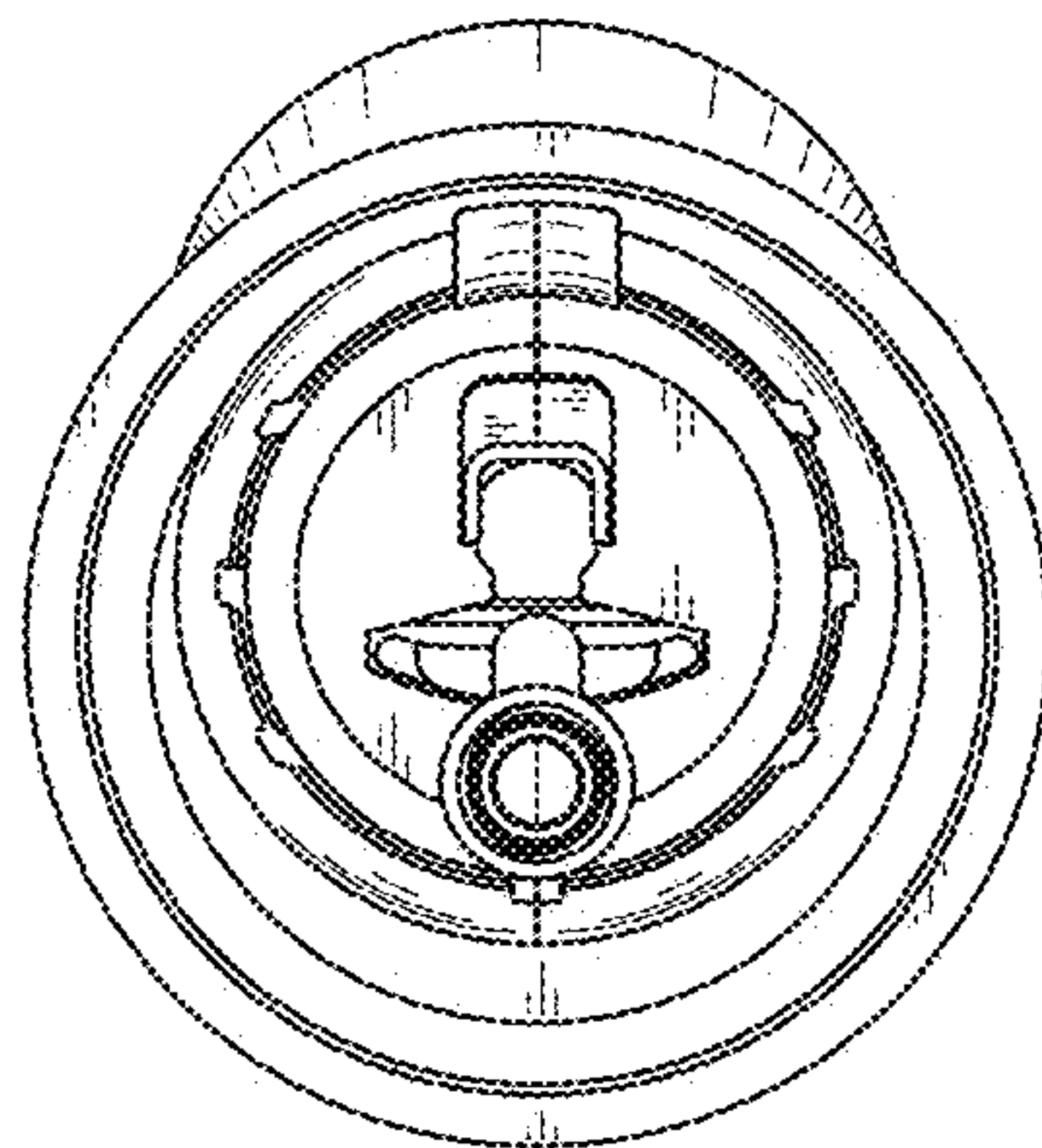


FIG. 4

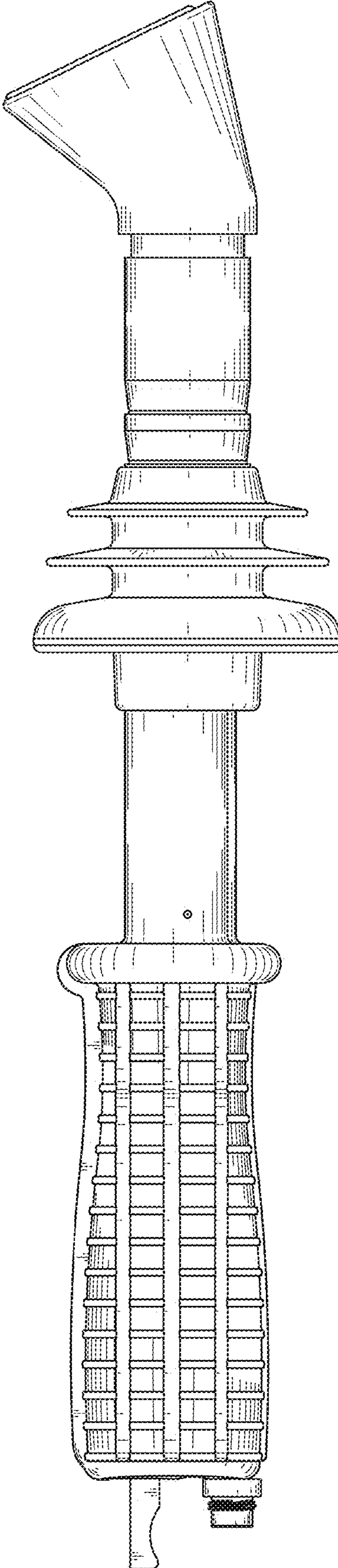


FIG. 5

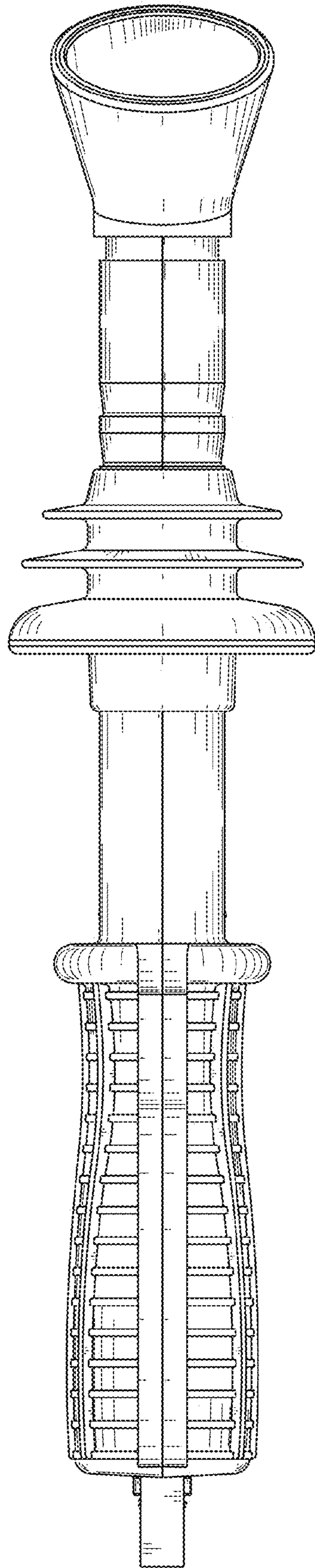


FIG. 6

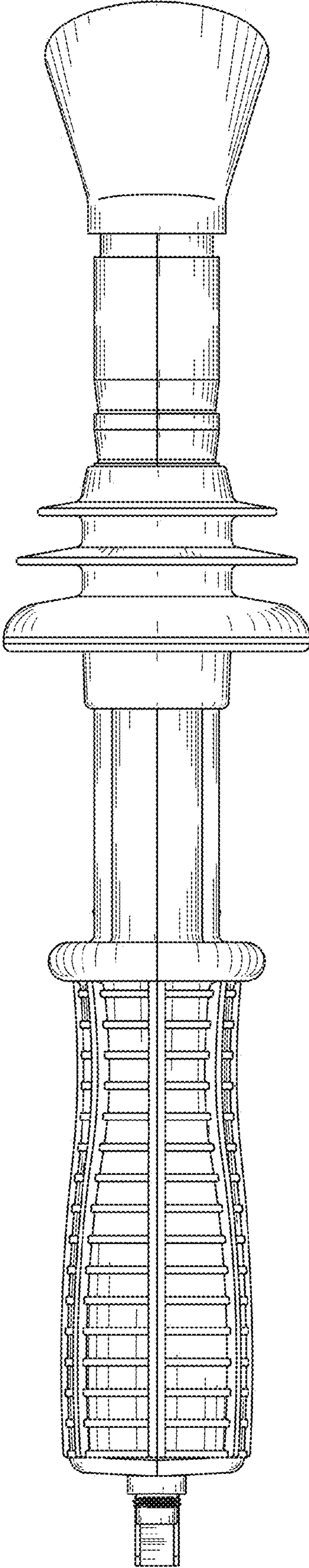


FIG. 7

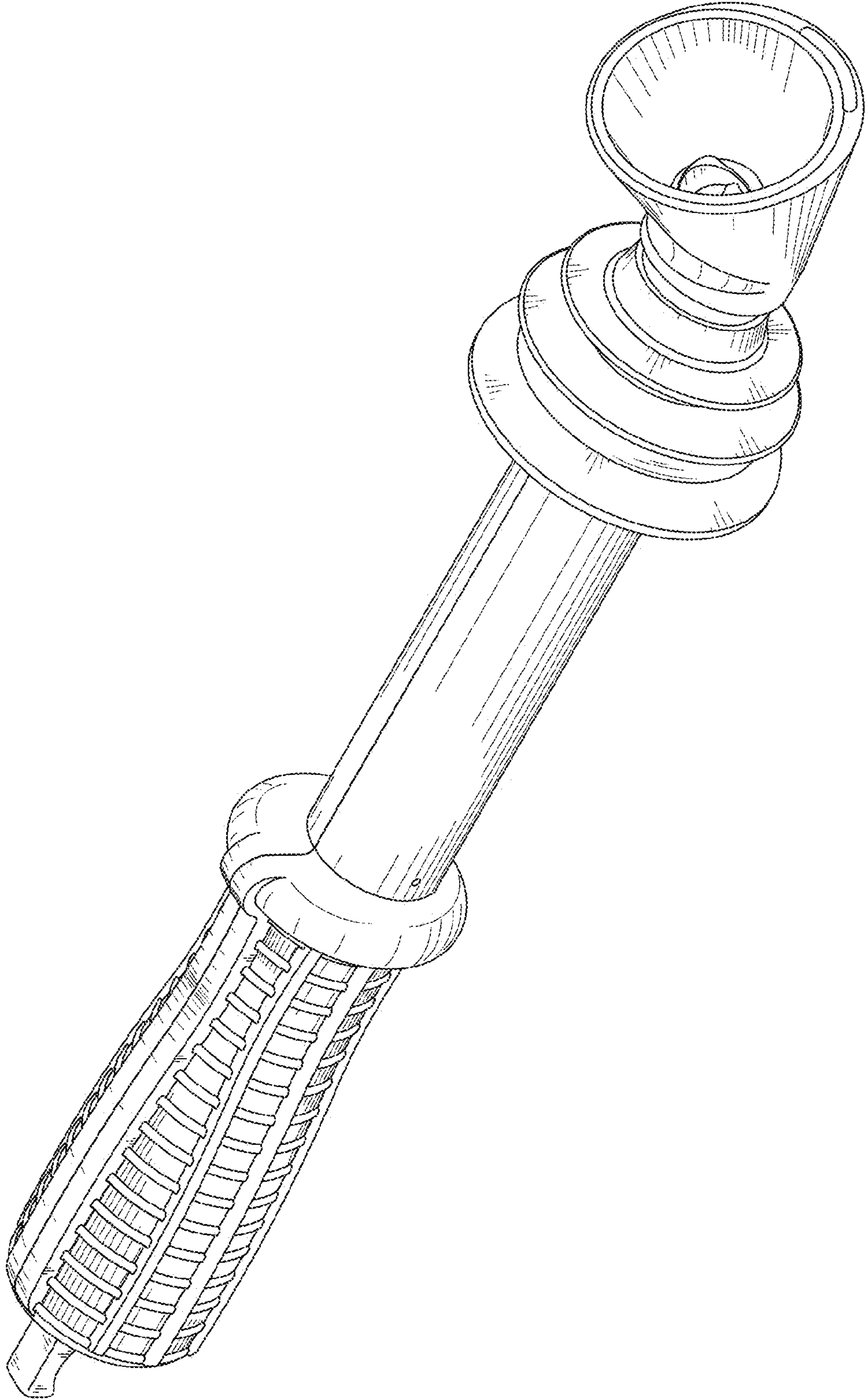


FIG. 8