



US00D749716S

(12) **United States Design Patent**
Holmgren et al.

(10) **Patent No.:** **US D749,716 S**

(45) **Date of Patent:** **** Feb. 16, 2016**

(54) **EAR SUCTION DEVICE**

(71) Applicant: **Mediplast AB**, Malmö (SE)

(72) Inventors: **Mathias Holmgren**, Kristianstad (SE);
Jonas Frodlund, Linköping (SE)

(73) Assignee: **Mediplast AB**, Malmö (SE)

(**) Term: **14 Years**

(21) Appl. No.: **29/465,077**

(22) Filed: **Aug. 23, 2013**

(30) **Foreign Application Priority Data**

Mar. 8, 2013 (EM) 002198655-0001

Mar. 8, 2013 (EM) 002198655-0002

(51) **LOC (10) Cl.** **24-01**

(52) **U.S. Cl.**
USPC **D24/108**

(58) **Field of Classification Search**
USPC D24/107, 108, 111, 112, 127, 129, 130,
D24/151, 173
CPC A61M 2210/0662; A61M 3/0262;
A61M 3/0279; A61M 3/0287; A61M 3/0283;
A61B 1/227; A61F 11/00; A61F 11/002;
A61F 11/006
See application file for complete search history.

(56) **References Cited**

U.S. PATENT DOCUMENTS

3,100,490 A * 8/1963 Desautels 604/541
4,206,756 A * 6/1980 Grossan 604/39
D282,285 S * 1/1986 Levy D24/112
4,878,900 A * 11/1989 Sundt 604/119
D359,118 S * 6/1995 Nates D24/112
5,470,305 A * 11/1995 Arnett et al. 601/161
D378,939 S * 4/1997 Smith et al. D24/144
5,685,851 A * 11/1997 Murphy et al. 604/150
D412,984 S * 8/1999 Cover et al. D24/129

D434,140 S * 11/2000 Phelan D24/108
D451,597 S * 12/2001 Suh D24/108
D462,437 S * 9/2002 Epstein et al. D24/108
6,458,094 B1 * 10/2002 McMahon et al. 604/35
D494,479 S * 8/2004 Hsieh D10/57

(Continued)

OTHER PUBLICATIONS

Handles. GB UK Healthcare. www.GBUKHealthcare.com.
Accessed Jun. 10, 2015. <<http://www.gbukhealthcare.com/products-page/mediplast-ent-single-use-suction/handles/>>.*

(Continued)

Primary Examiner — Deanna L Pratt

Assistant Examiner — Lilyana Bekic

(74) *Attorney, Agent, or Firm* — Fredrikson & Byron, P.A.

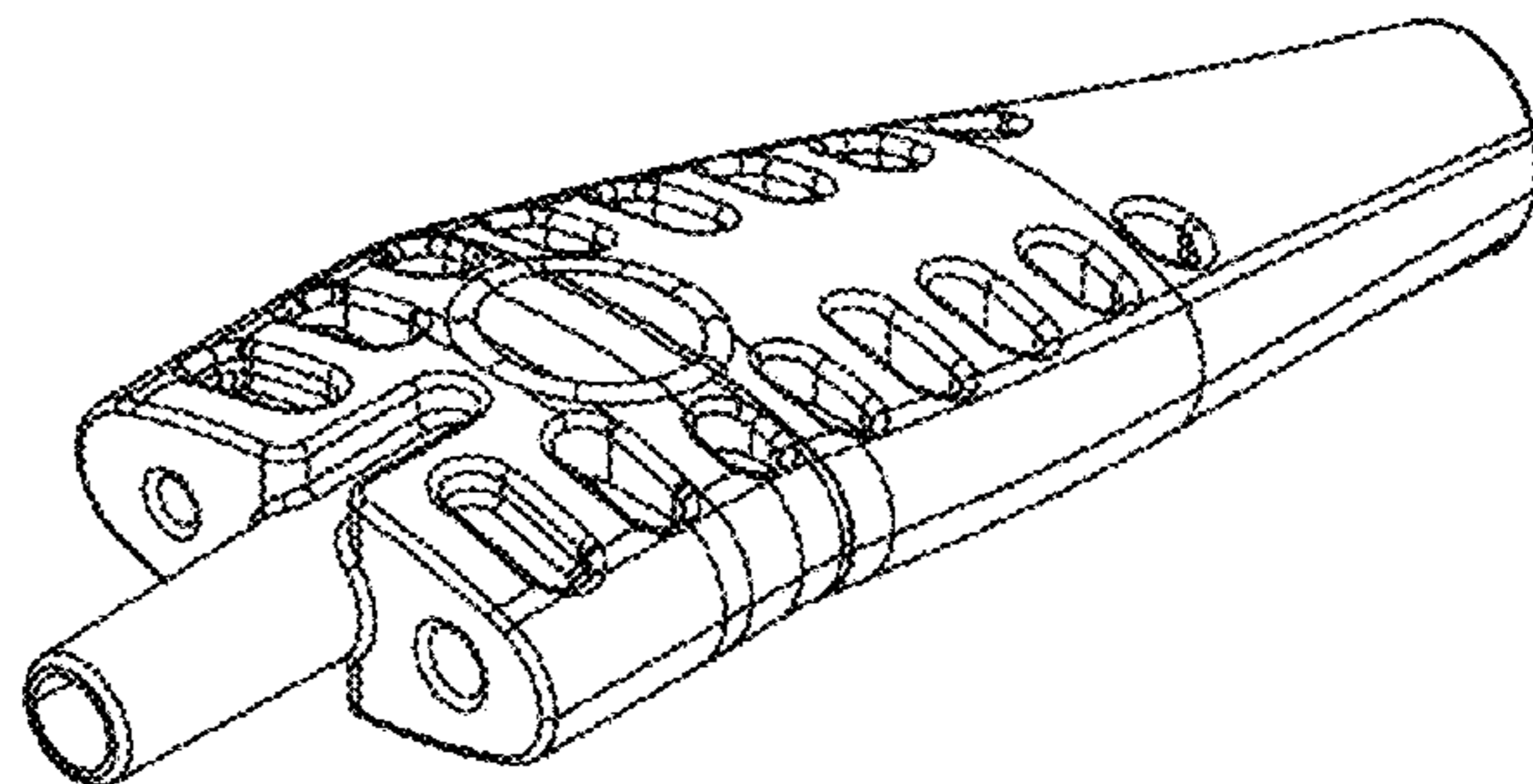
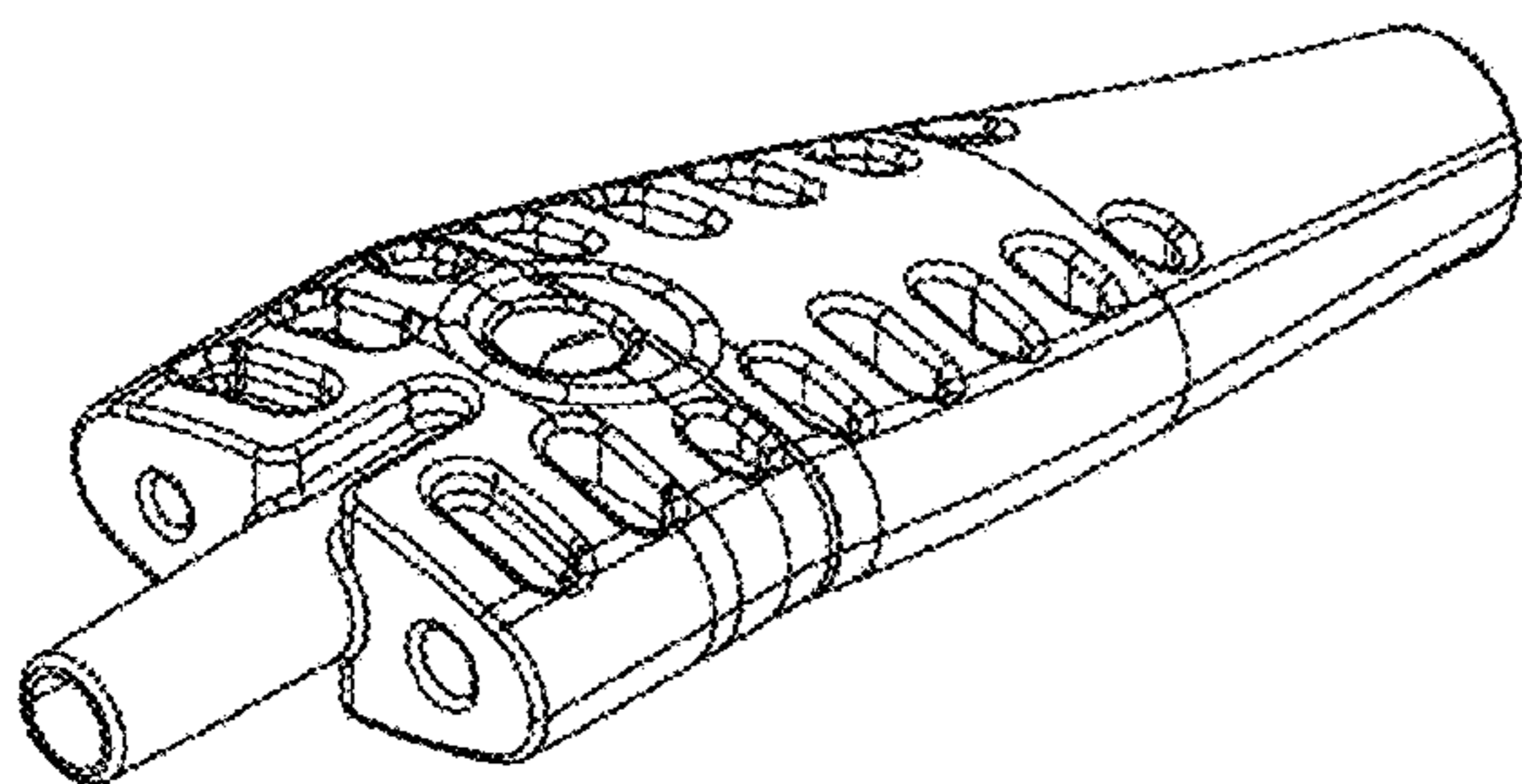
(57) **CLAIM**

We claim the ornamental design for an ear suction device, as shown and described.

DESCRIPTION

FIG. 1 is a perspective of our new design for an ear suction device;
FIG. 2 is a top view thereof;
FIG. 3 is a bottom view thereof;
FIG. 4 is a left side view thereof;
FIG. 5 is a right side view thereof;
FIG. 6 is a front view thereof;
FIG. 7 is a rear view thereof;
FIG. 8 is a perspective of another embodiment of our new design for an ear suction device;
FIG. 9 is a top view thereof;
FIG. 10 is a bottom view thereof;
FIG. 11 is a left side view thereof;
FIG. 12 is a right side view thereof;
FIG. 13 is a front view thereof; and,
FIG. 14 is a rear view thereof.

1 Claim, 14 Drawing Sheets



(56)

References Cited

U.S. PATENT DOCUMENTS

D494,672 S * 8/2004 Wang D24/108
D497,426 S * 10/2004 Hirsch et al. D24/129
D548,328 S * 8/2007 Fedenia et al. D24/108
D553,242 S * 10/2007 Fedenia et al. D24/108
D560,803 S * 1/2008 Tasse et al. D24/133
D612,044 S * 3/2010 Scheibe D24/130
D630,728 S * 1/2011 Dombrowski et al. D24/111
D675,318 S * 1/2013 Luk et al. D24/130
D682,417 S * 5/2013 Csok D24/108
D713,027 S * 9/2014 Adams D24/112
8,876,707 B2 * 11/2014 Wellen et al. 600/200

OTHER PUBLICATIONS

Medibender, A bending instrument for Mediplast Metal Suction Tips.
Mediplast AB, EN 110711 brochure, 1 page, Jul. 11, 2011, Malmo, Sweden.
Regulator—Suction Tip Handle, The Suction Tip Handle, with or without suction control, should be used as a connector between the Suction Tip and the Mediplast Suction Tube. Mediplast AB, Regulator EN 080420 brochure, 1 page, Apr. 20, 2008, Malmo, Sweden.

* cited by examiner

FIG. 1

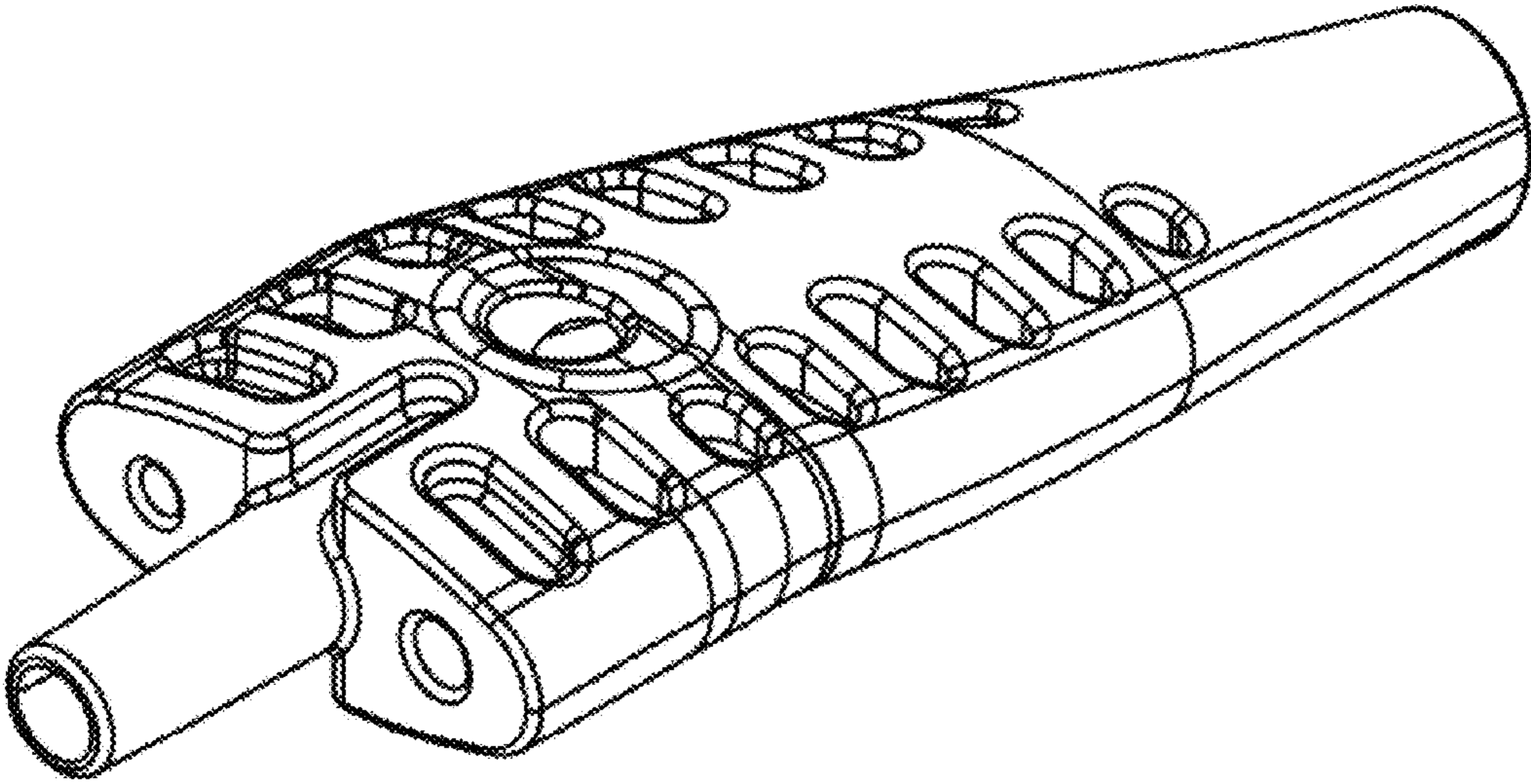


FIG. 2

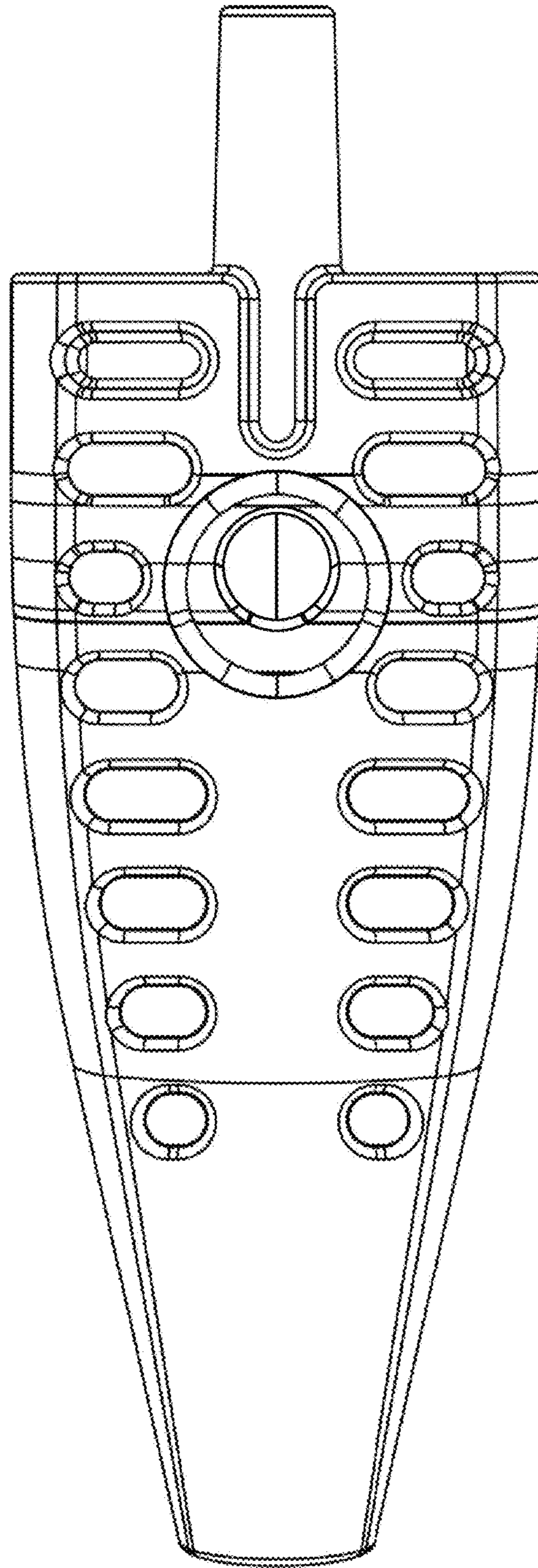


FIG. 3

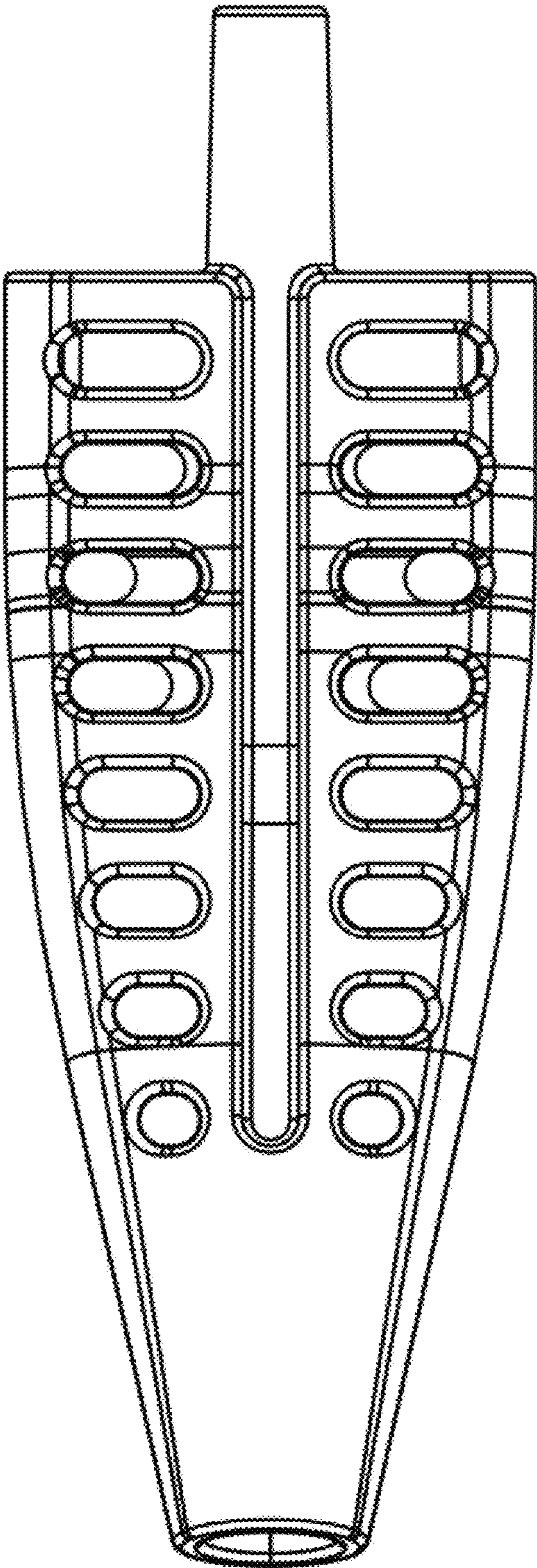


FIG. 4

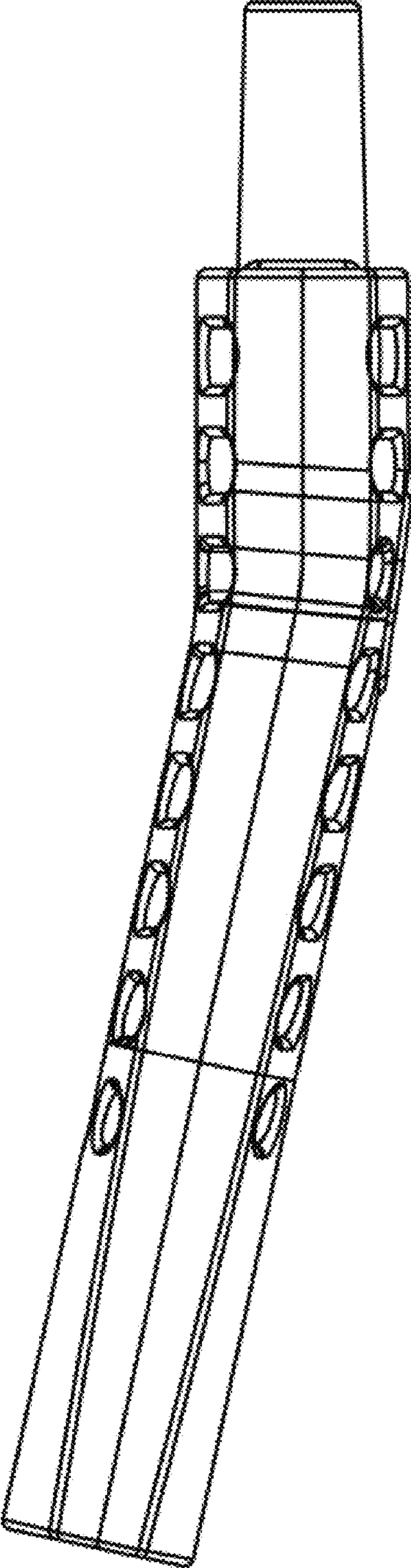


FIG. 5

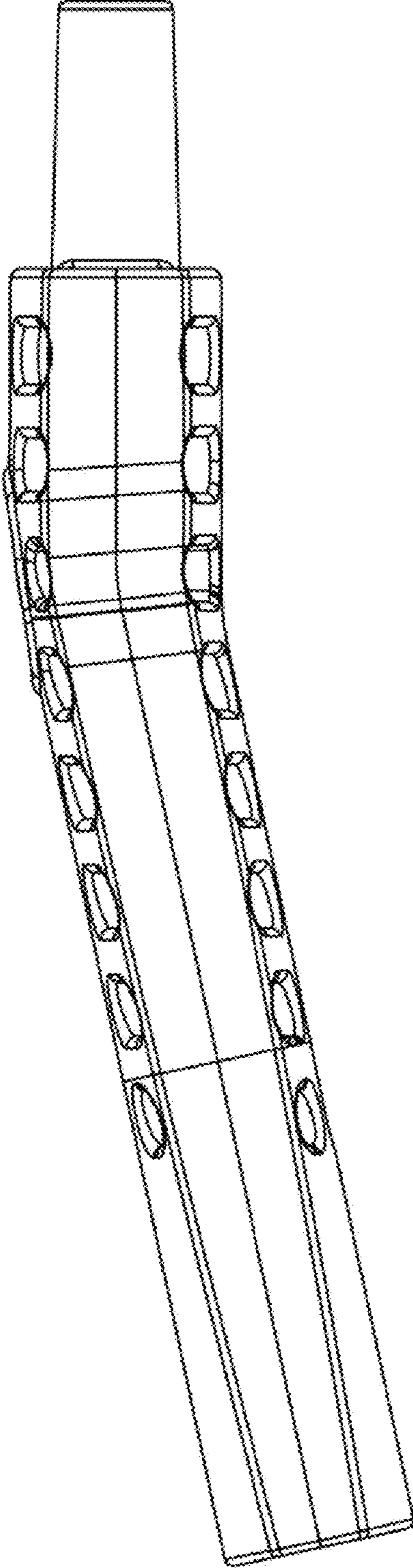


FIG. 6

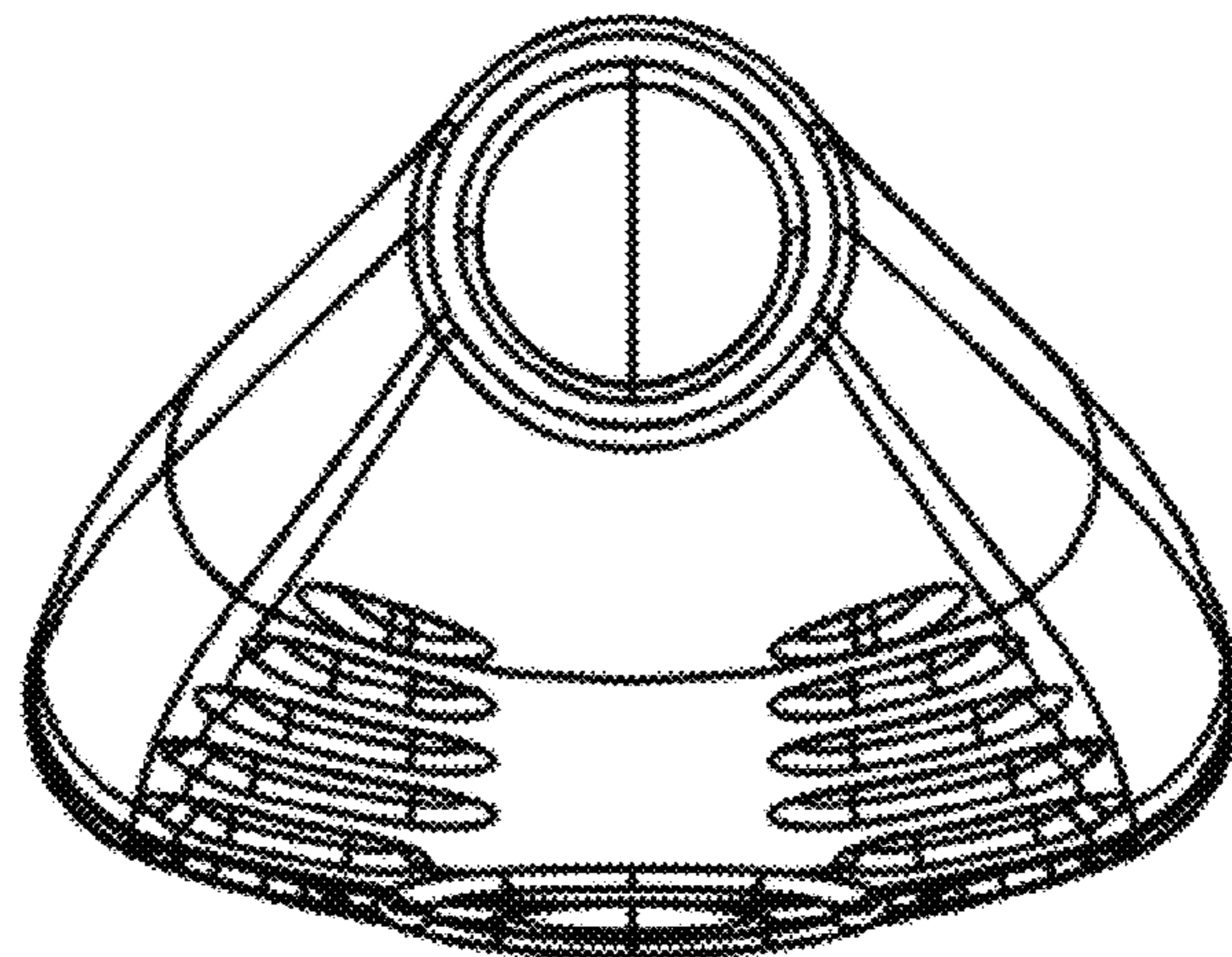


FIG. 7

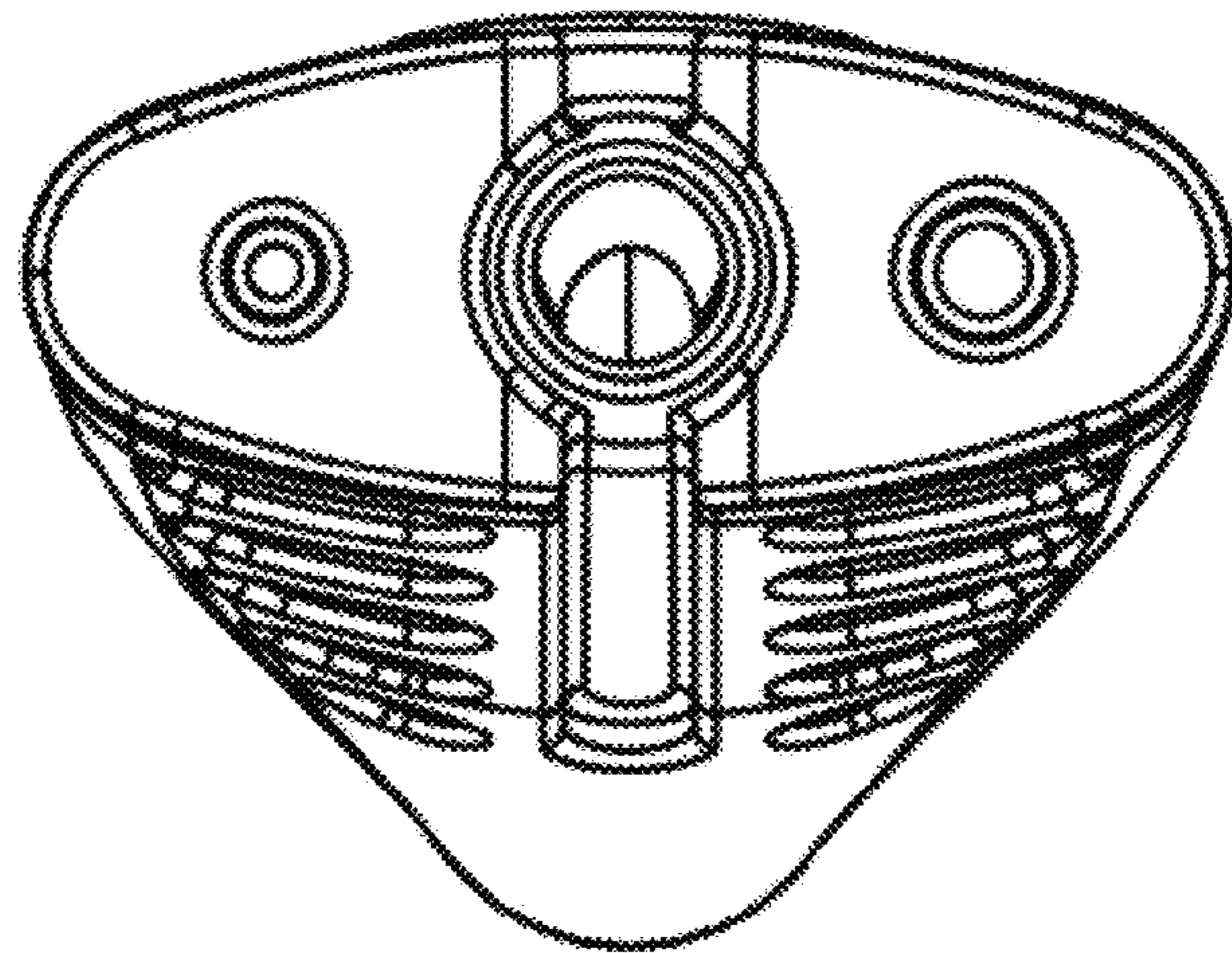


FIG. 8

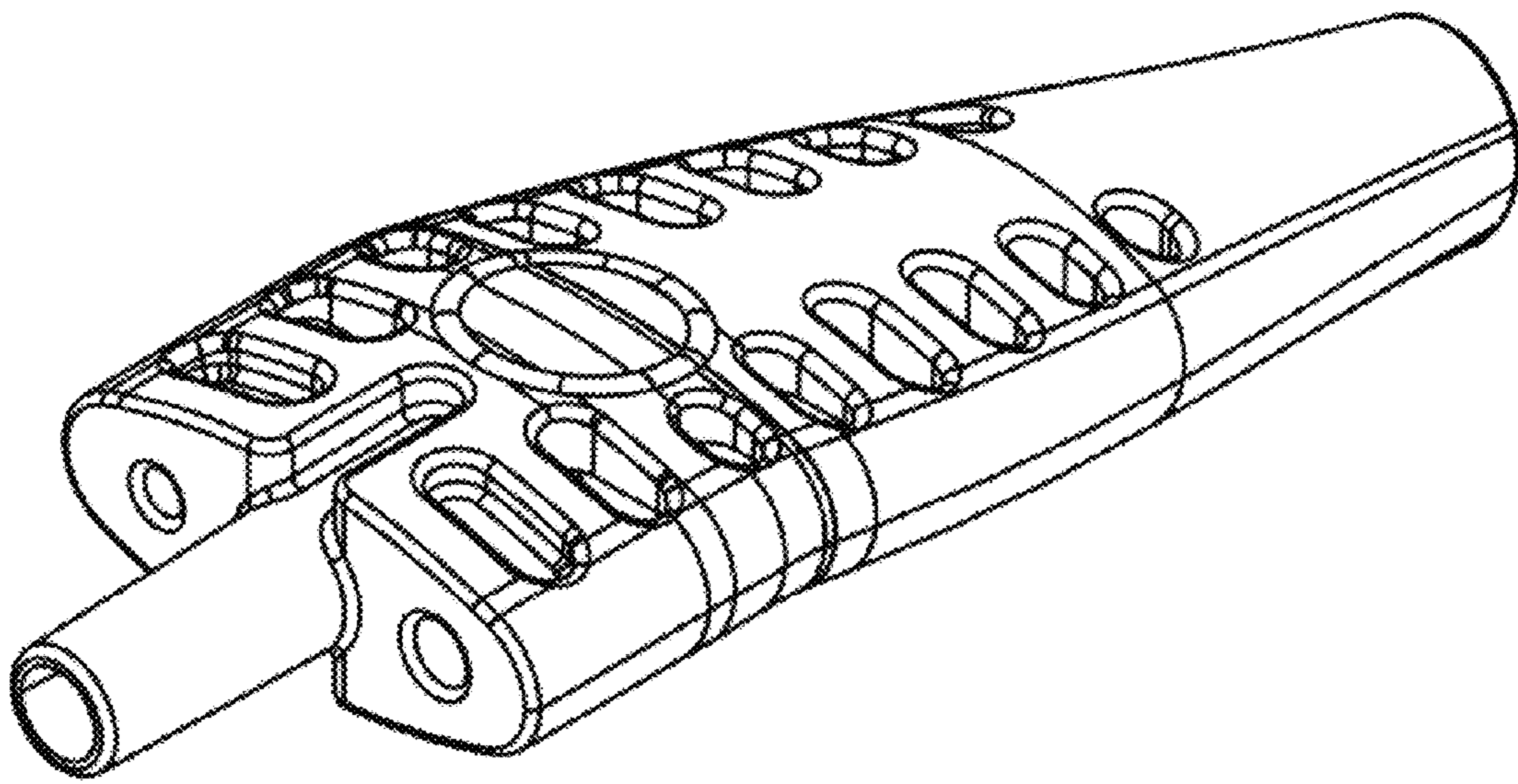


FIG. 9

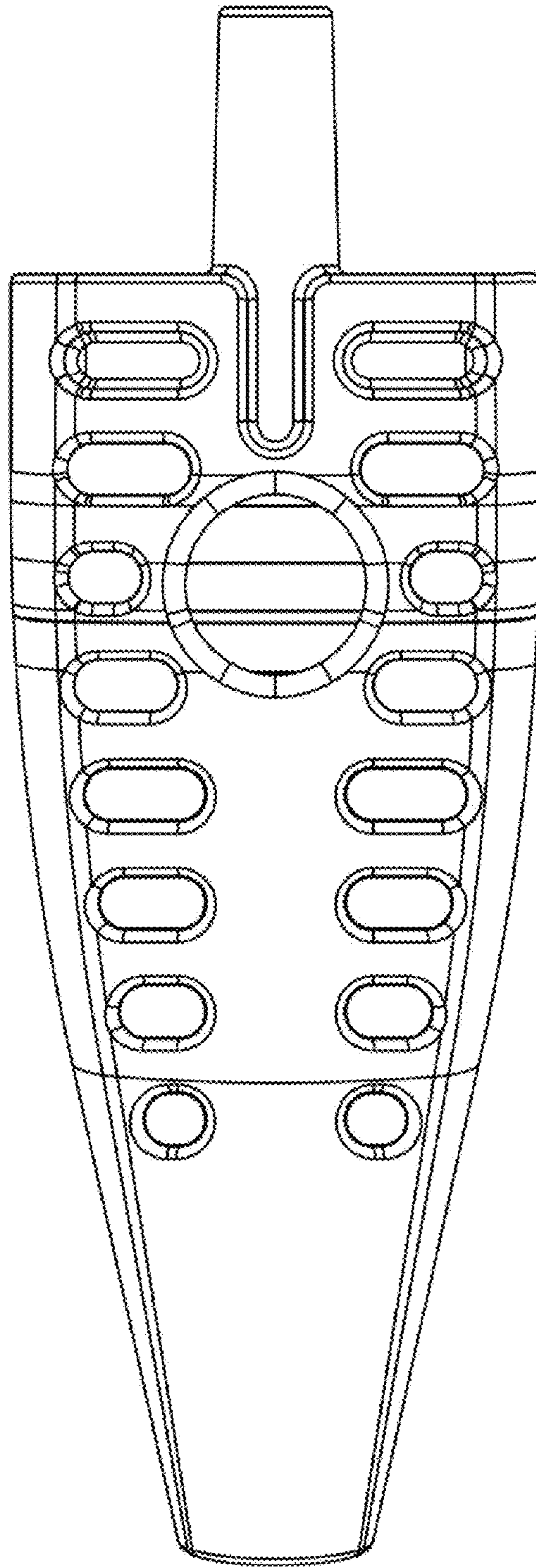


FIG. 10

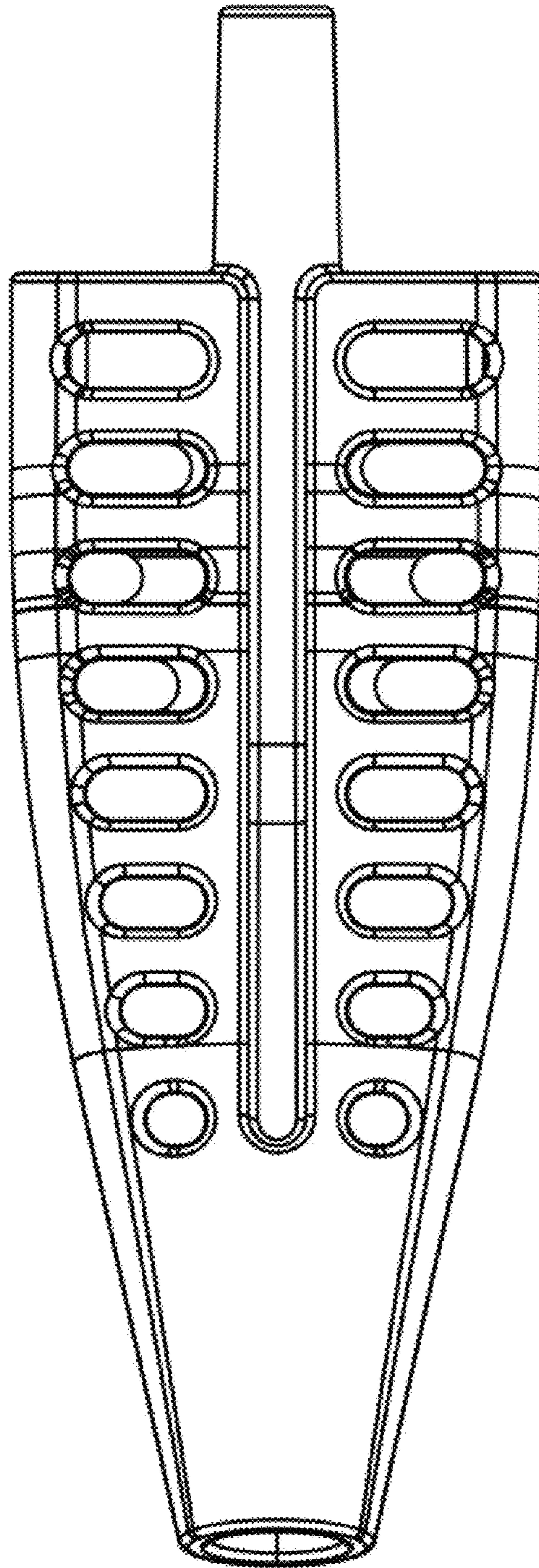


FIG. 11

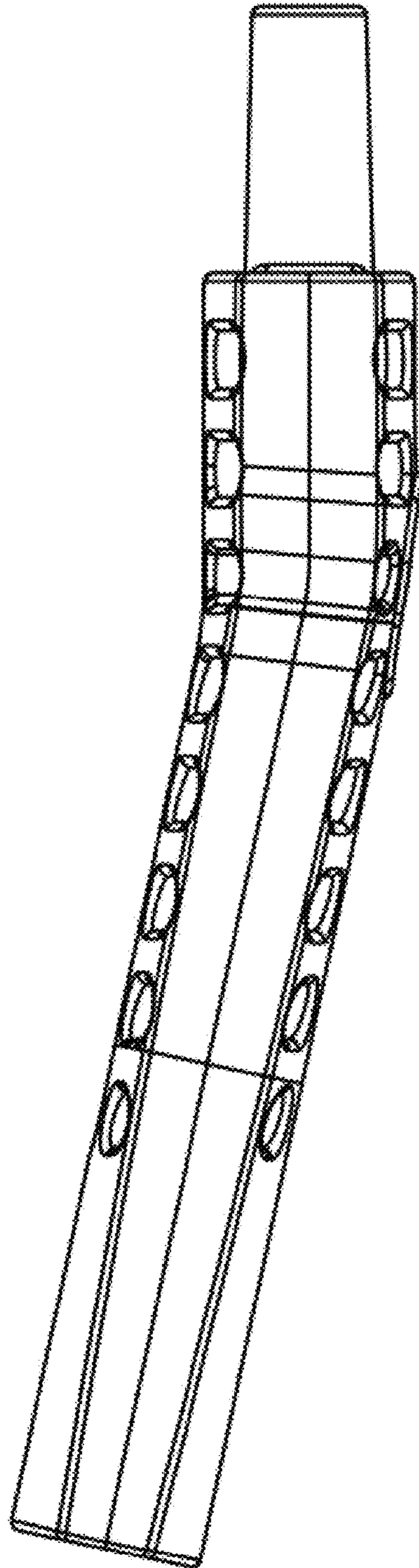


FIG. 12

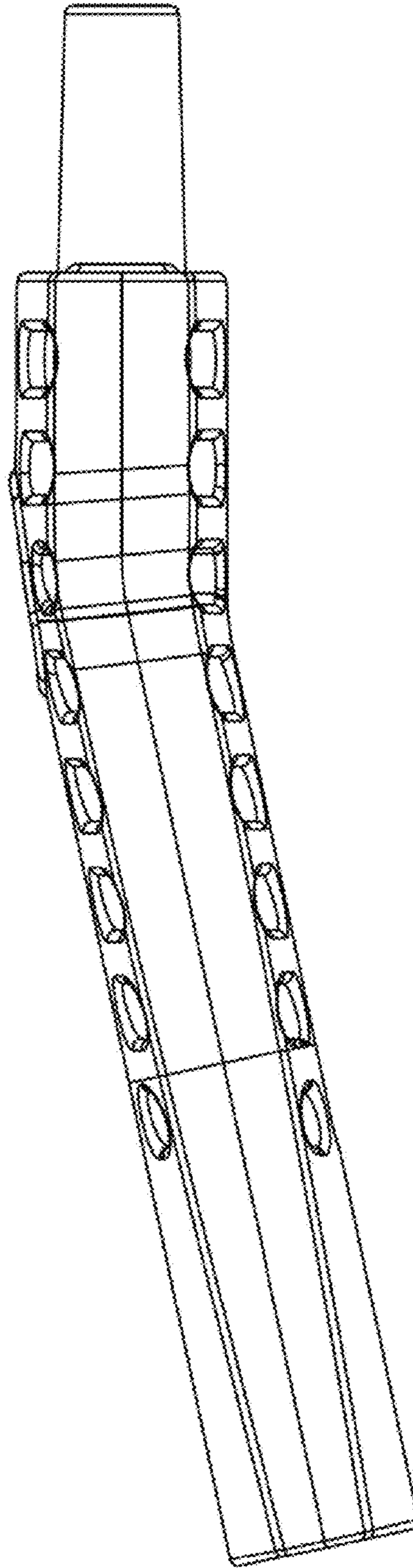


FIG 13

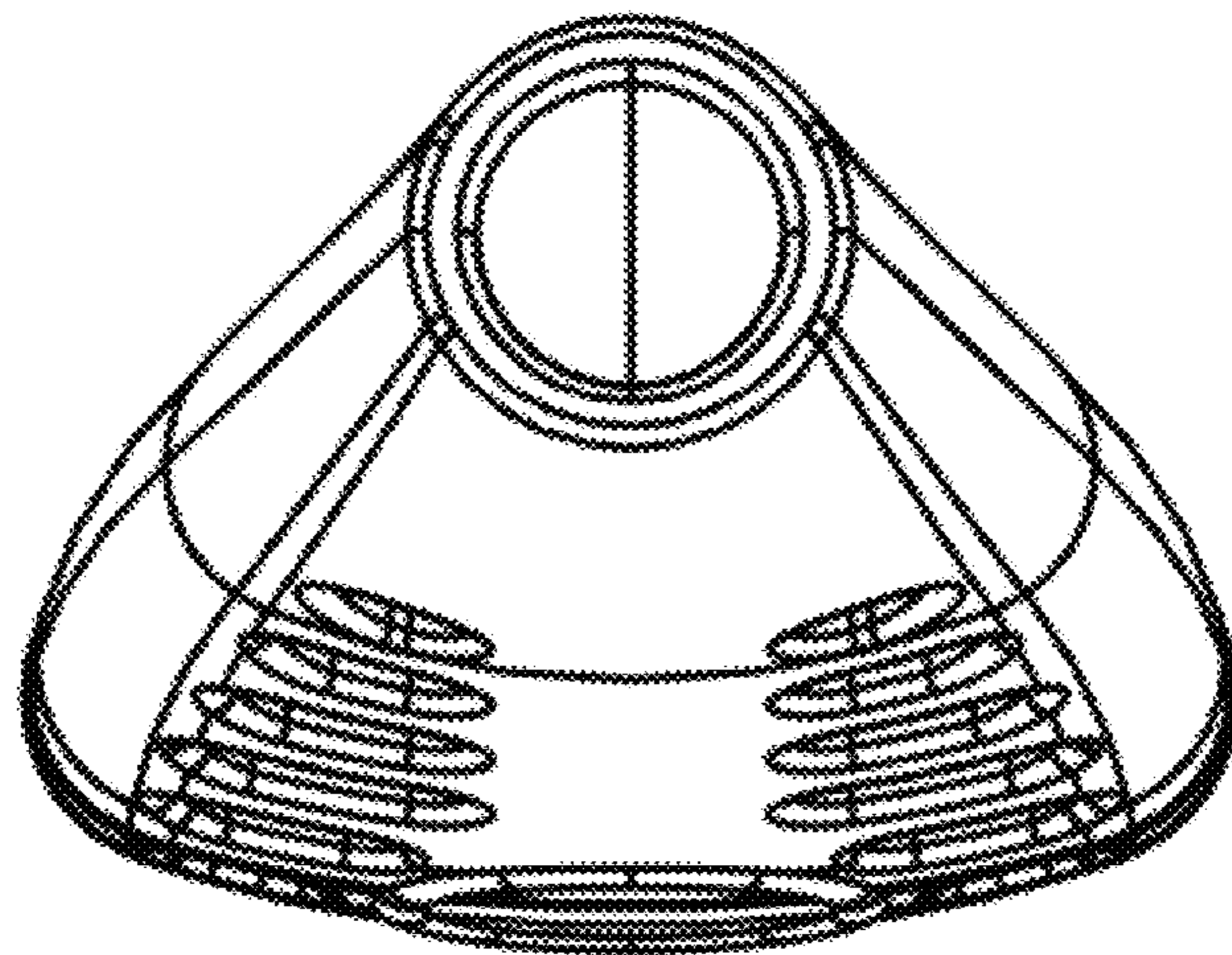


FIG. 14

