



US00D749715S

(12) **United States Design Patent**  
**Lammel**

(10) **Patent No.:** **US D749,715 S**  
(45) **Date of Patent:** **\*\* Feb. 16, 2016**

(54) **ELECTRIC HEATING APPARATUS**

FOREIGN PATENT DOCUMENTS

- (71) Applicant: **IFF GmbH**, Ismaning (DE)
- (72) Inventor: **Christian Lammel**, Ismaning (DE)
- (73) Assignee: **IFF GmbH**, Ismaning (DE)
- (\*\*) Term: **14 Years**

CH	202301 A	1/1939
DE	1922748 A1	11/1970
DE	2324850 A1	12/1974
DE	4405091 A1	8/1995
DE	102005005041 A1	8/2006
GB	1270206 A	4/1972
JP	2005048635 A	2/2005

(21) Appl. No.: **29/444,896**

(22) Filed: **Feb. 5, 2013**

(30) **Foreign Application Priority Data**

Aug. 6, 2012 (EM) ..... 002084343-0014

(51) **LOC (10) Cl.** ..... **23-03**

(52) **U.S. Cl.**  
USPC ..... **D23/386**

(58) **Field of Classification Search**  
USPC ..... D23/386, 332, 341, 314, 417, 418;  
219/520, 534, 535, 536, 541, 552  
See application file for complete search history.

OTHER PUBLICATIONS

Speedxbond for bonding machine, <http://www.speedxbond.com/>.\*

\* cited by examiner

*Primary Examiner* — David Muller  
*Assistant Examiner* — Nathan Johnston

(57) **CLAIM**

The ornamental design for an electric heating apparatus, as shown and described.

**DESCRIPTION**

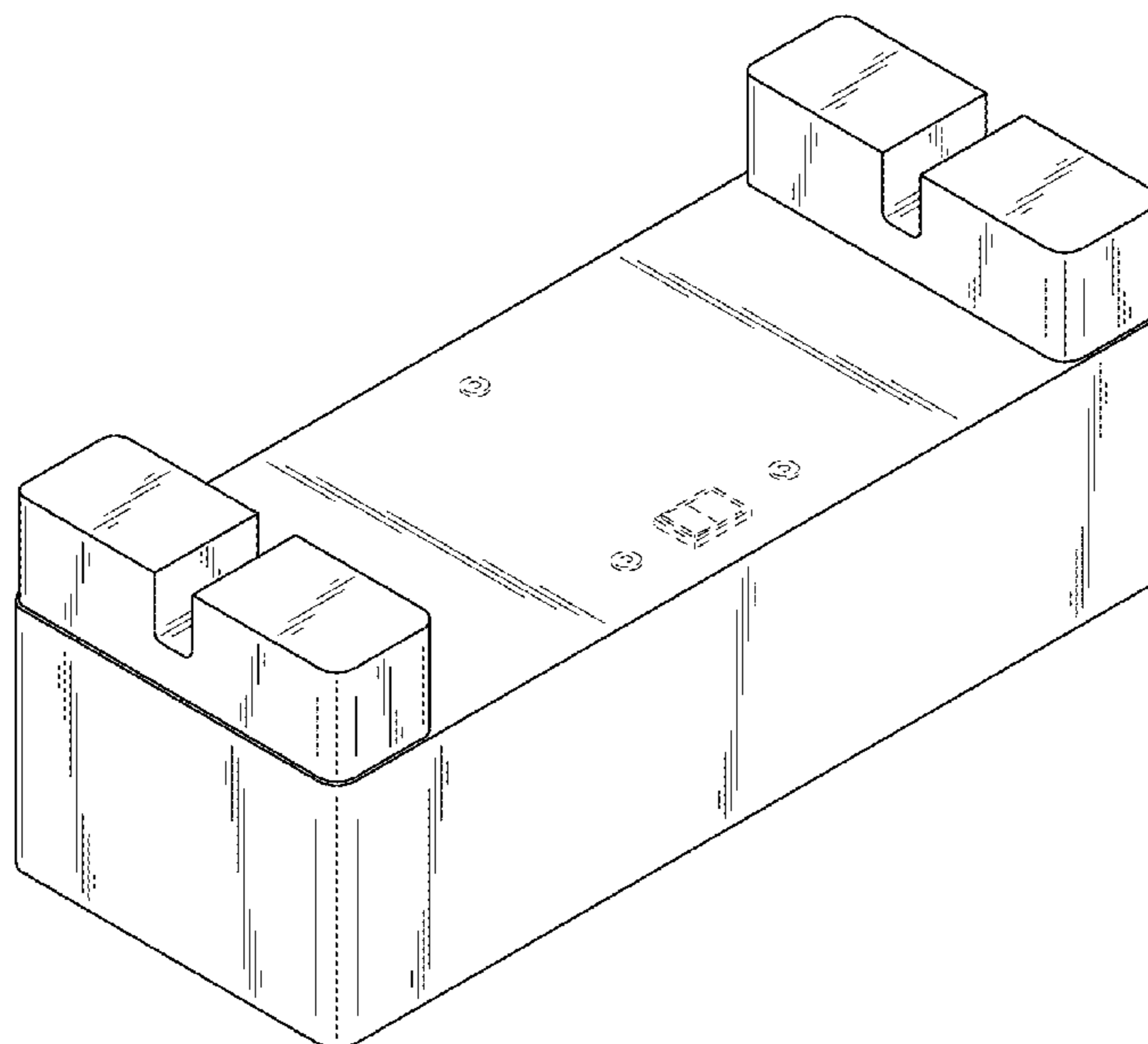
(56) **References Cited**

U.S. PATENT DOCUMENTS

2,579,577 A *	12/1951	Dieterich	108/8
2,625,204 A *	1/1953	Reichman	297/105
2,696,870 A *	12/1954	Mende	297/105
2,770,293 A *	11/1956	Eichorst	248/396
D620,266 S *	7/2010	Tin	D6/349
2008/0006793 A1	1/2008	Hirnschal	
2011/0083829 A1	4/2011	Hung et al.	
2012/0011720 A1	1/2012	Lin	
2012/0126595 A1 *	5/2012	Petrucci et al.	297/217.6
2013/0061561 A1 *	3/2013	Johnson	53/449
2014/0131138 A1 *	5/2014	Simpson et al.	182/223

FIG. 1 is an isometric view of the claimed design.  
FIG. 2 is a top plan view of the claimed design.  
FIG. 3 is a bottom plan view of the claimed design.  
FIG. 4 is a left side elevation view of the claimed design.  
FIG. 5 is a right side elevation view of the claimed design;  
and,  
FIG. 6 is a front elevation view of the claimed design.  
The broken lines shown in the electric heating apparatus are included for the purpose of illustrating portions of the "article" and form no part of the claimed design.

**1 Claim, 6 Drawing Sheets**



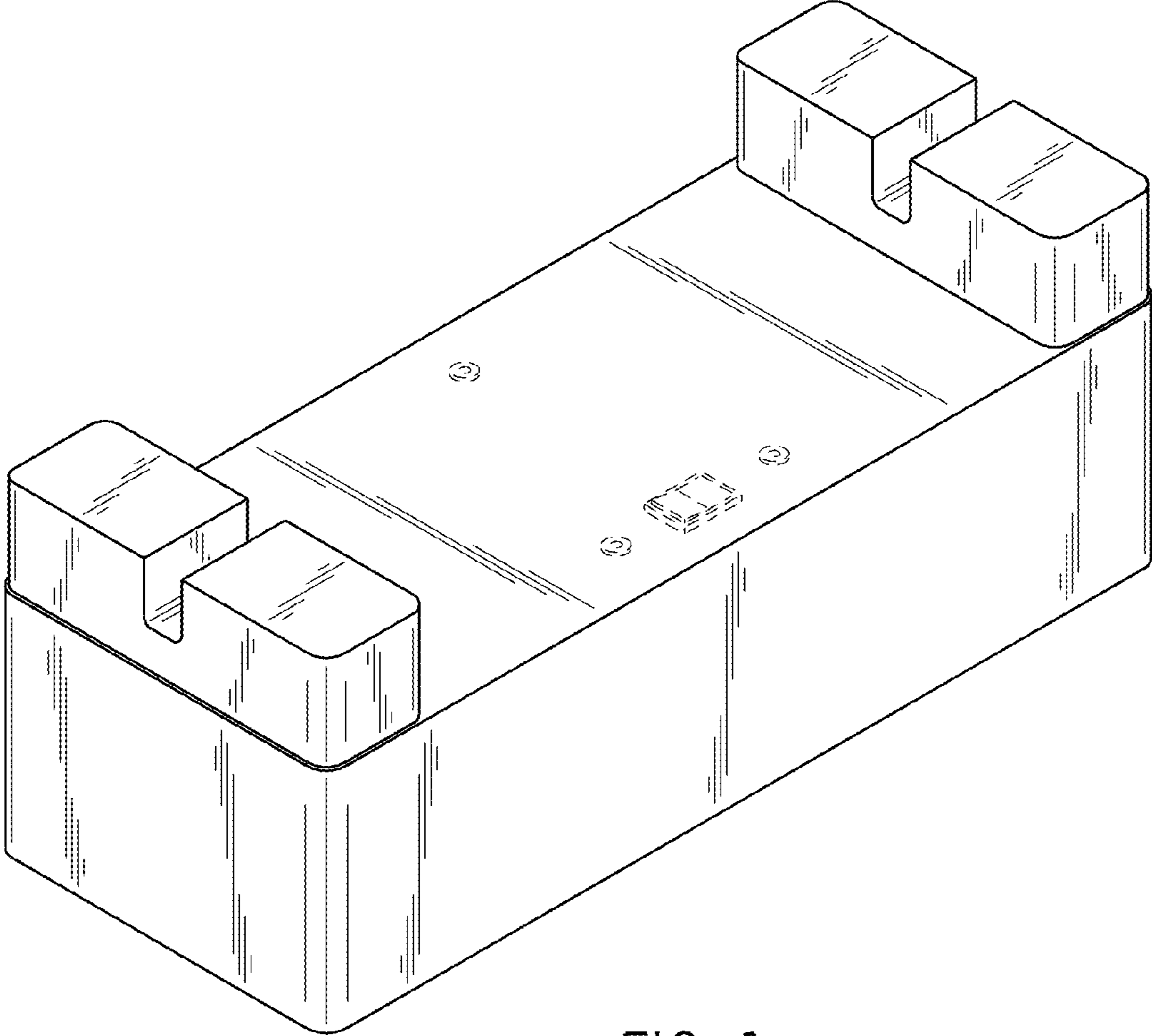


FIG. 1

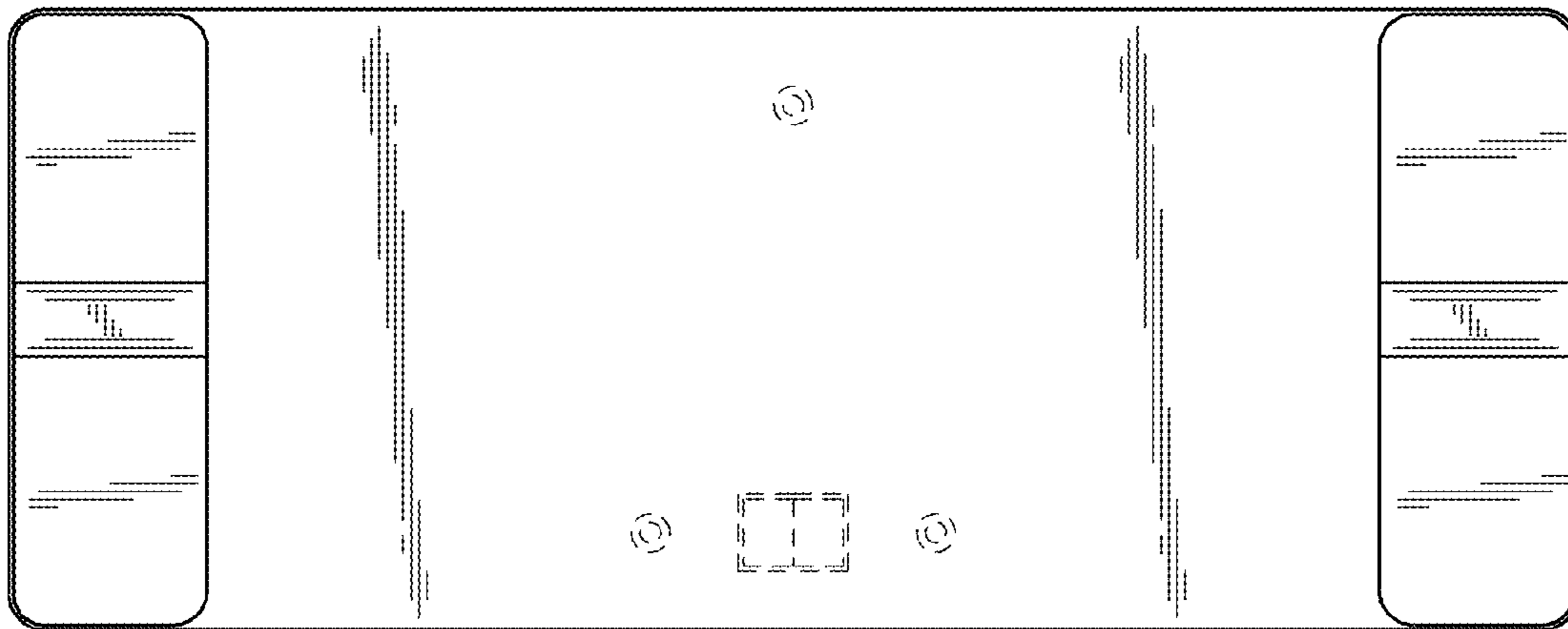


FIG. 2

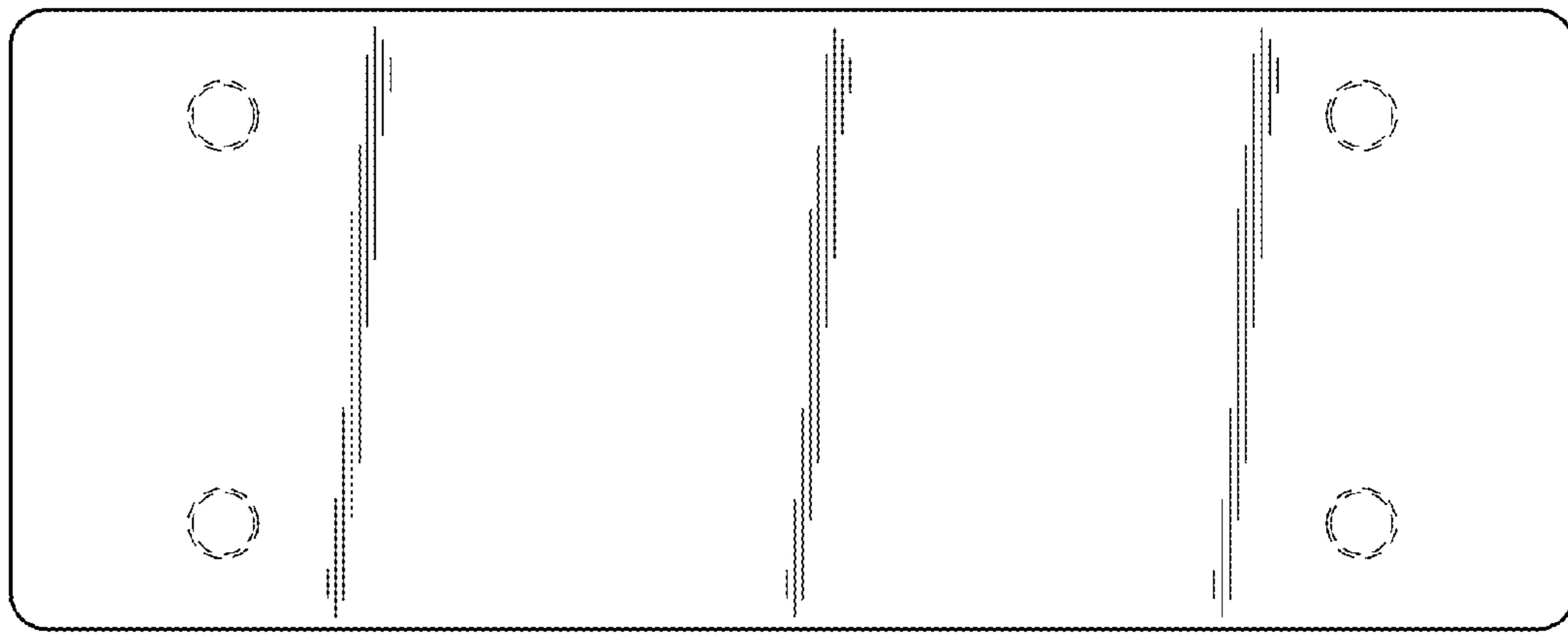


FIG. 3

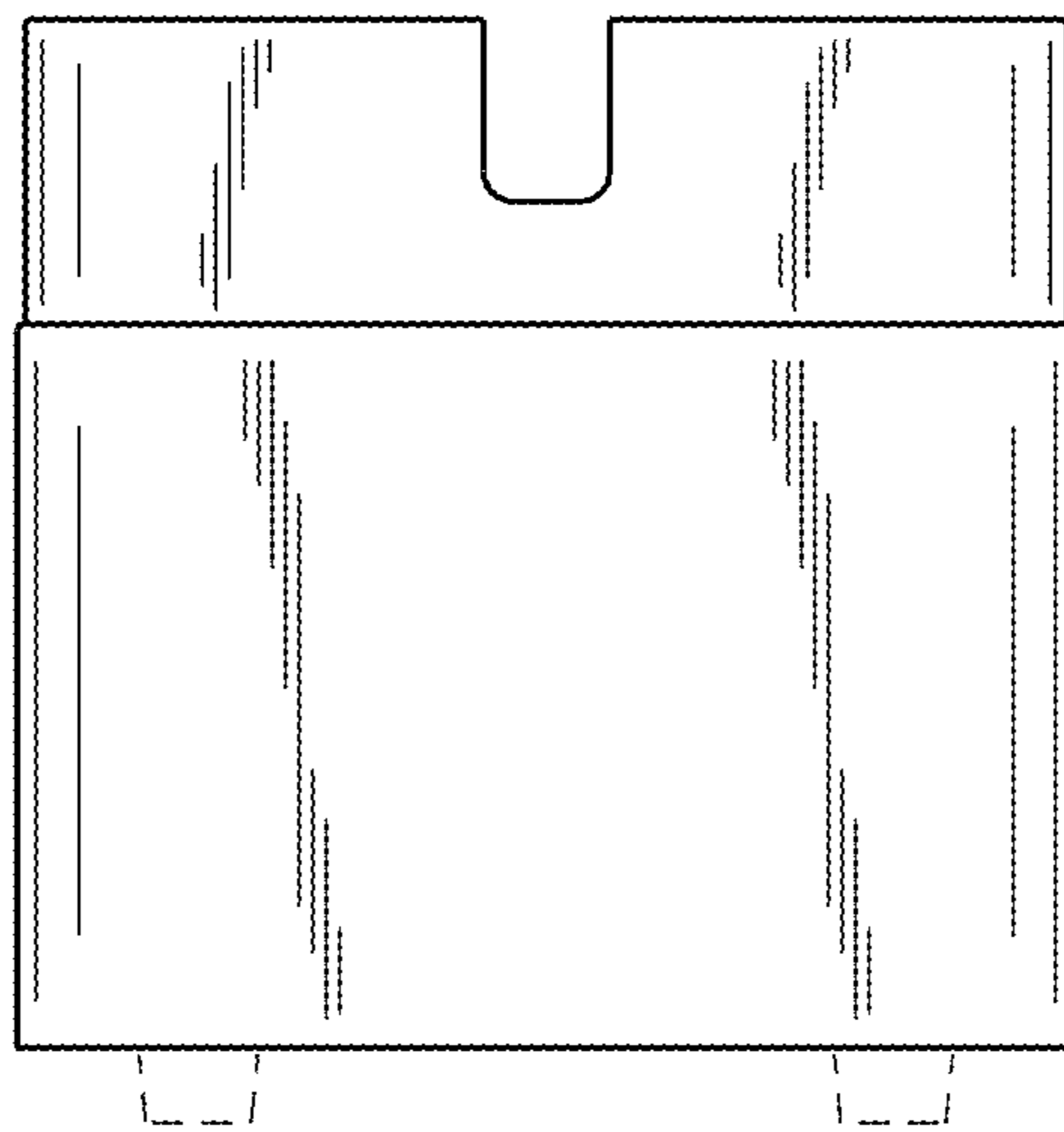


FIG. 4

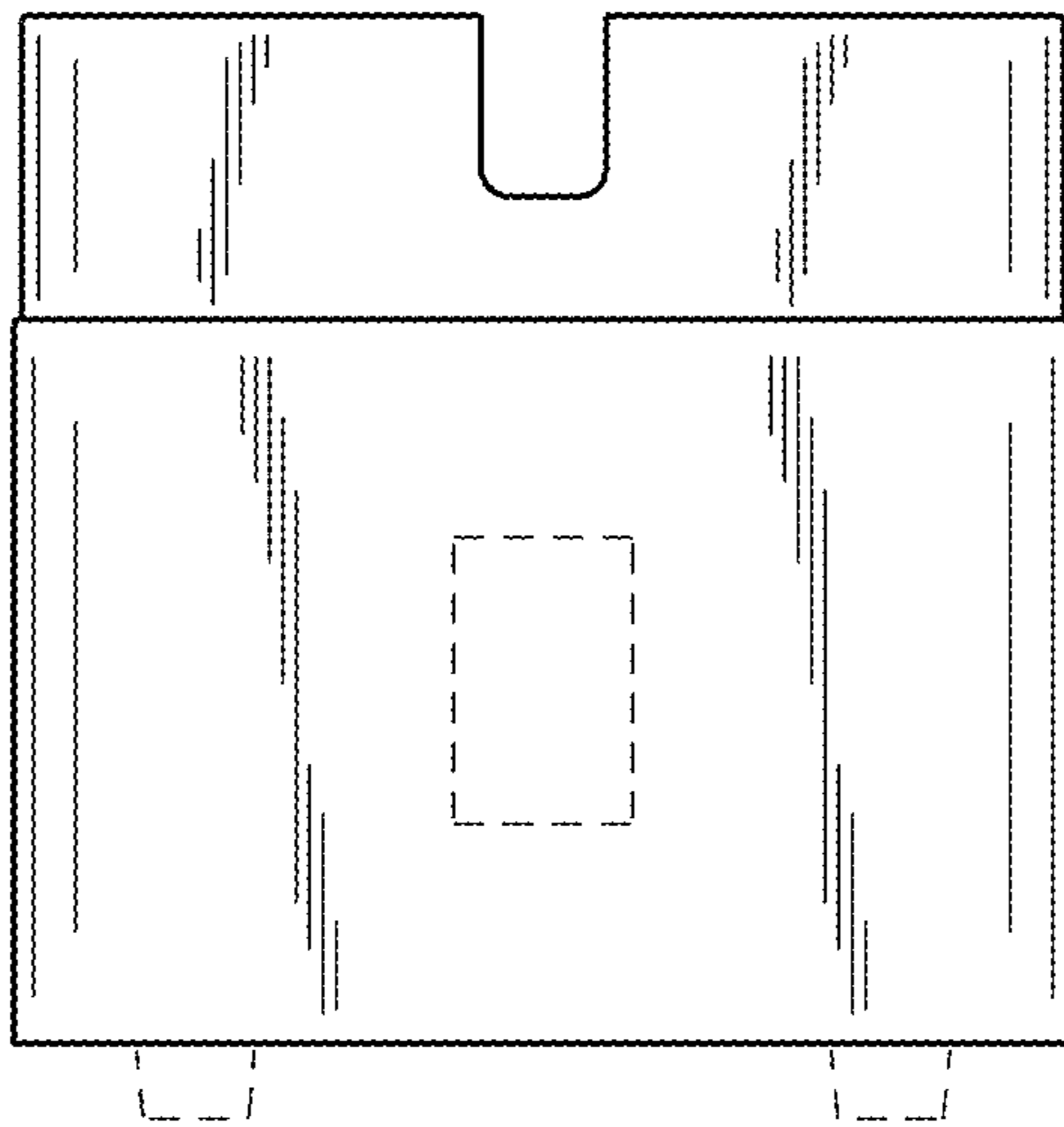


FIG. 5

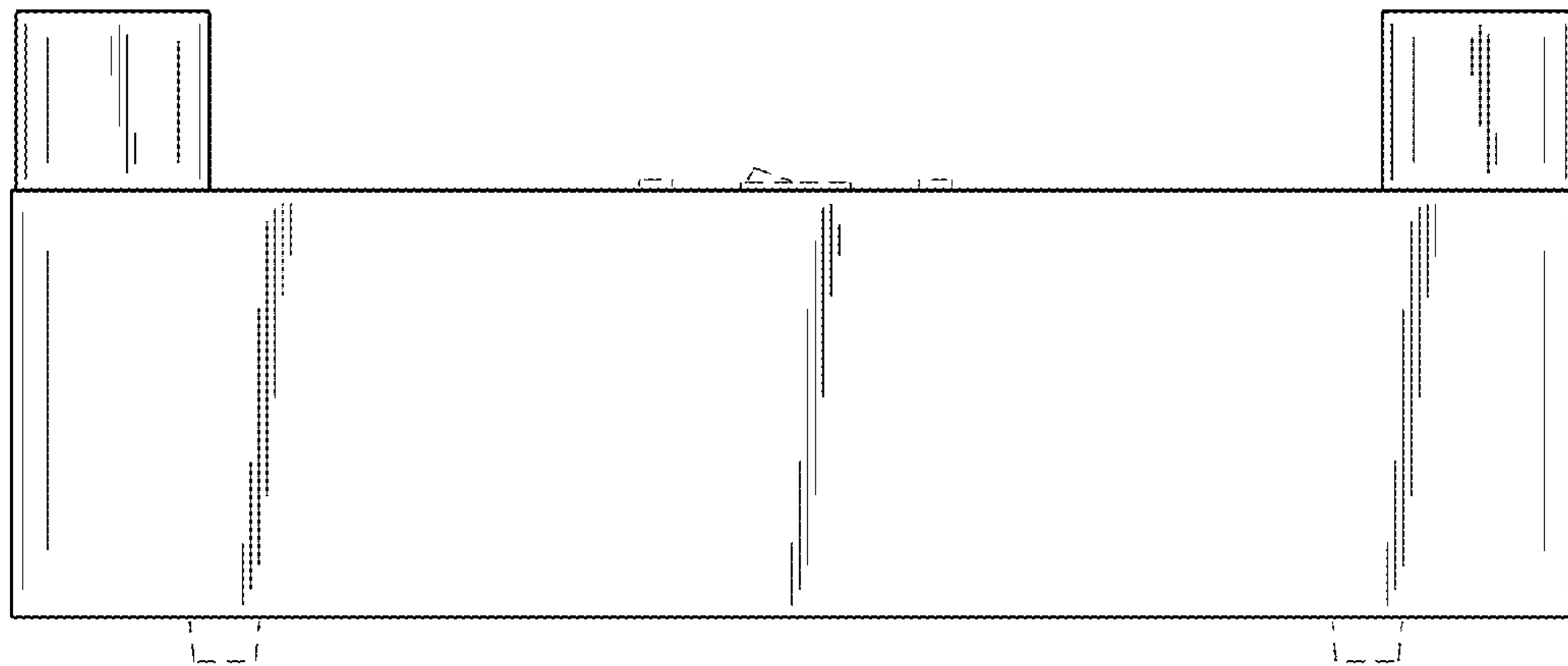


FIG. 6