

US00D749714S

(12) **United States Design Patent**
Shibata et al.

(10) **Patent No.:** **US D749,714 S**
(45) **Date of Patent:** **** Feb. 16, 2016**

- (54) **HONEYCOMB FILTER**
- (71) Applicant: **IBIDEN CO., LTD**, Ogaki-shi, Gifu (JP)
- (72) Inventors: **Toshiaki Shibata**, Ibi-gun (JP); **Yuki Miwa**, Ibi-gun (JP)
- (73) Assignee: **IBIDEN CO., LTD.**, Ogaki-shi, Gifu (JP)
- (**) Term: **14 Years**
- (21) Appl. No.: **29/453,513**
- (22) Filed: **Apr. 30, 2013**
- (51) **LOC (10) Cl.** **23-04**
- (52) **U.S. Cl.**
USPC **D23/365**
- (58) **Field of Classification Search**
USPC D23/365, 209, 363, 358, 386, 354, 341, D23/364; 55/385.3, 502, 497, 506, 505, 55/521, 495, 422, 493, DIG. 30; 210/435, 210/130, 136, 248, 339, 448, 452, 497.1; D32/31; D15/5; D25/113, 114, 115, D25/118
CPC B01D 46/0021; B01D 46/0023; B01D 46/0024; B01D 46/0026
See application file for complete search history.

- (56) **References Cited**
U.S. PATENT DOCUMENTS
D505,194 S * 5/2005 Komori et al. D23/365
D519,197 S * 4/2006 Komori et al. D23/365
D522,117 S * 5/2006 Komori et al. D23/365
7,169,203 B2 * 1/2007 Sakamoto 55/523
D538,911 S * 3/2007 Komori et al. D23/365

7,326,271 B2 *	2/2008	Kasai et al.	55/523
7,524,360 B2 *	4/2009	Cheng	95/273
7,550,025 B2 *	6/2009	Fukuda et al.	55/523
D609,319 S *	2/2010	Ohno et al.	D23/365
7,691,167 B2 *	4/2010	Tokumaru	55/523
7,811,351 B2 *	10/2010	Oshimi	55/523
8,231,701 B2 *	7/2012	Beall et al.	55/523
8,722,000 B2 *	5/2014	Boorse	423/213.2

* cited by examiner

Primary Examiner — David Muller

(74) *Attorney, Agent, or Firm* — Banner & Witcoff, Ltd.

(57) **CLAIM**

The ornamental design for a honeycomb filter, as shown and described.

DESCRIPTION

FIG. 1 is a perspective view of a honeycomb filter showing our new design;
 FIG. 2 is a front view thereof;
 FIG. 3 is a rear view of thereof;
 FIG. 4 is a right side view thereof;
 FIG. 5 is a top plan view thereof;
 FIG. 6 is an enlarged view of a portion defined by the intersection of lines 6-6 and lines 8-8 in FIG. 2 and line 6-8 in FIG. 4;
 FIG. 7 is an enlarged view of a portion defined by the intersection of lines 7-7 and lines 9-9 in FIG. 3 and line 7-9 in FIG. 4;
 FIG. 8 is a partially enlarged perspective view at 8 in FIG. 2; and,
 FIG. 9 is a partially enlarged perspective view at 9 in FIG. 3.
 The filter is shown with a symbolic break in its length. The appearance if any portion of the article between the break lines forms no part of the claimed design.

1 Claim, 9 Drawing Sheets

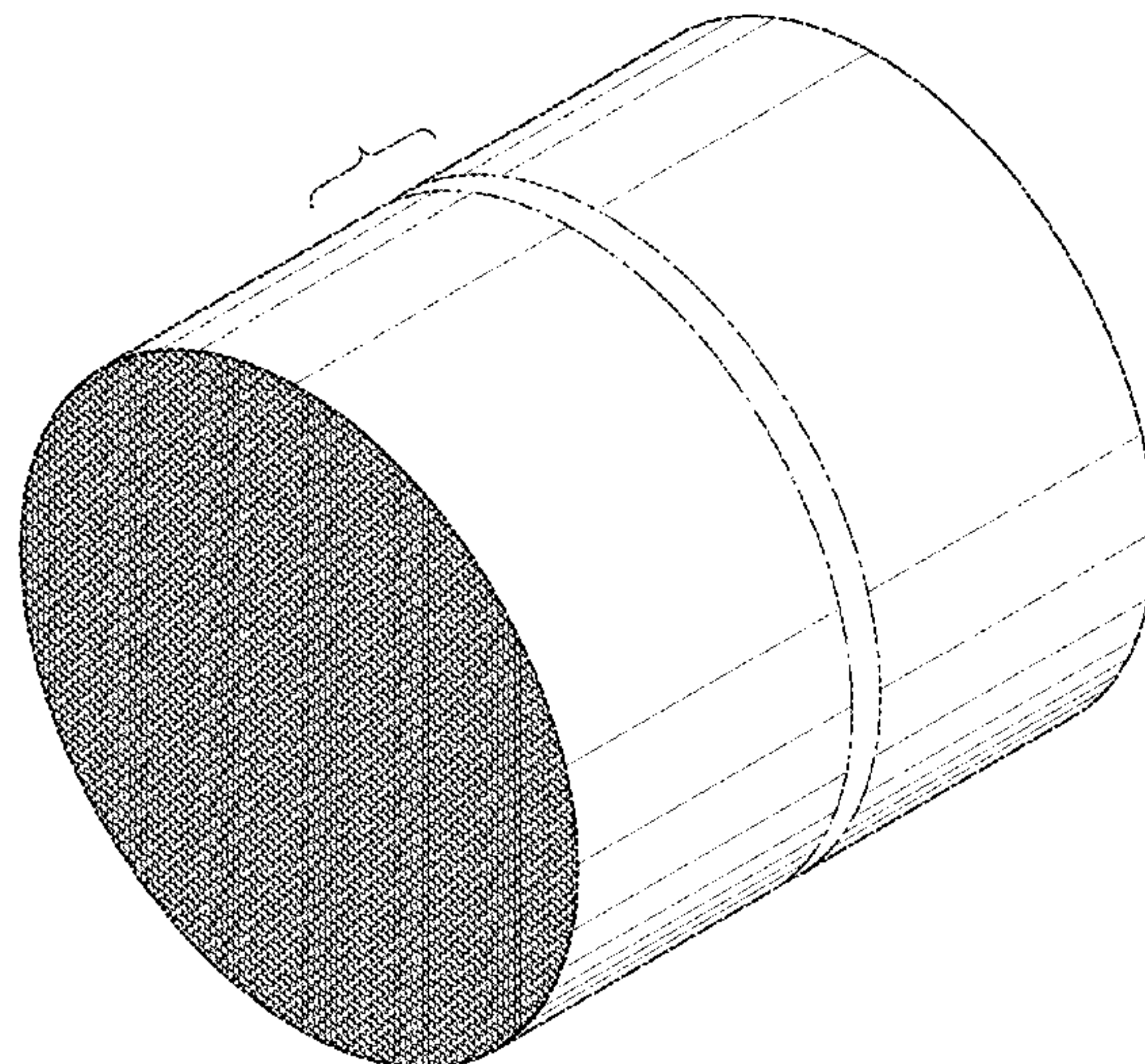


Fig. 1

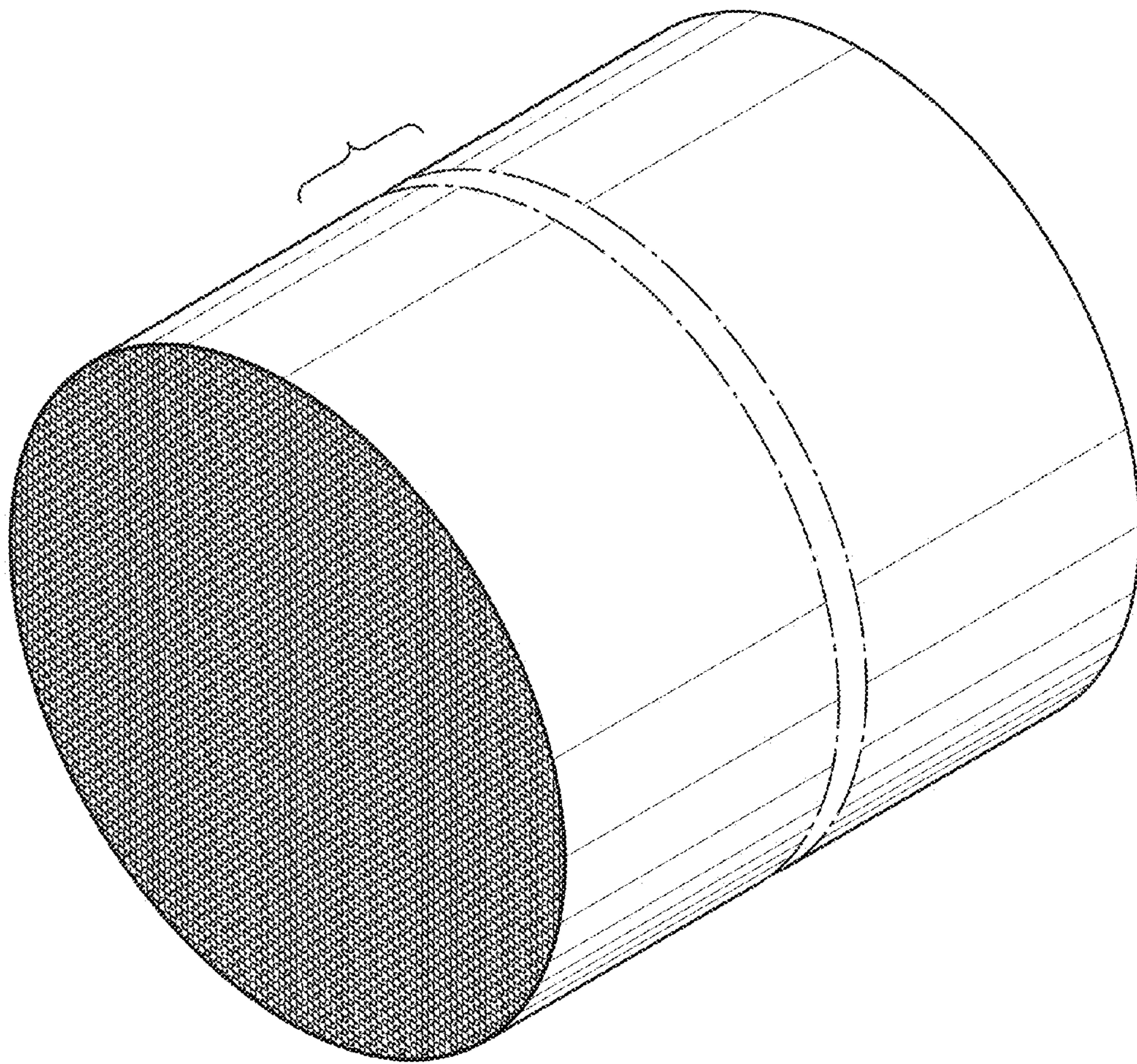


Fig. 2

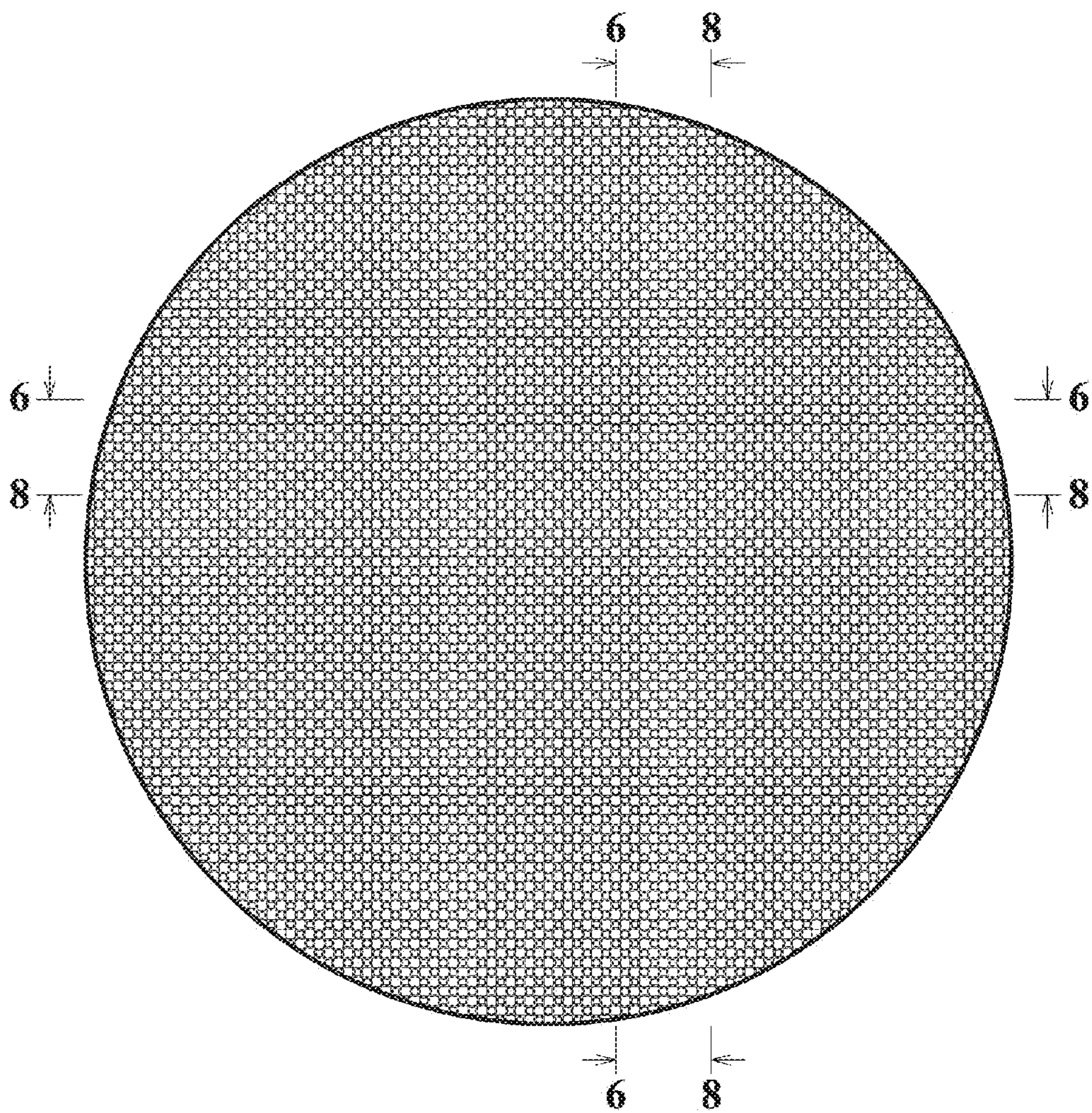


Fig. 3

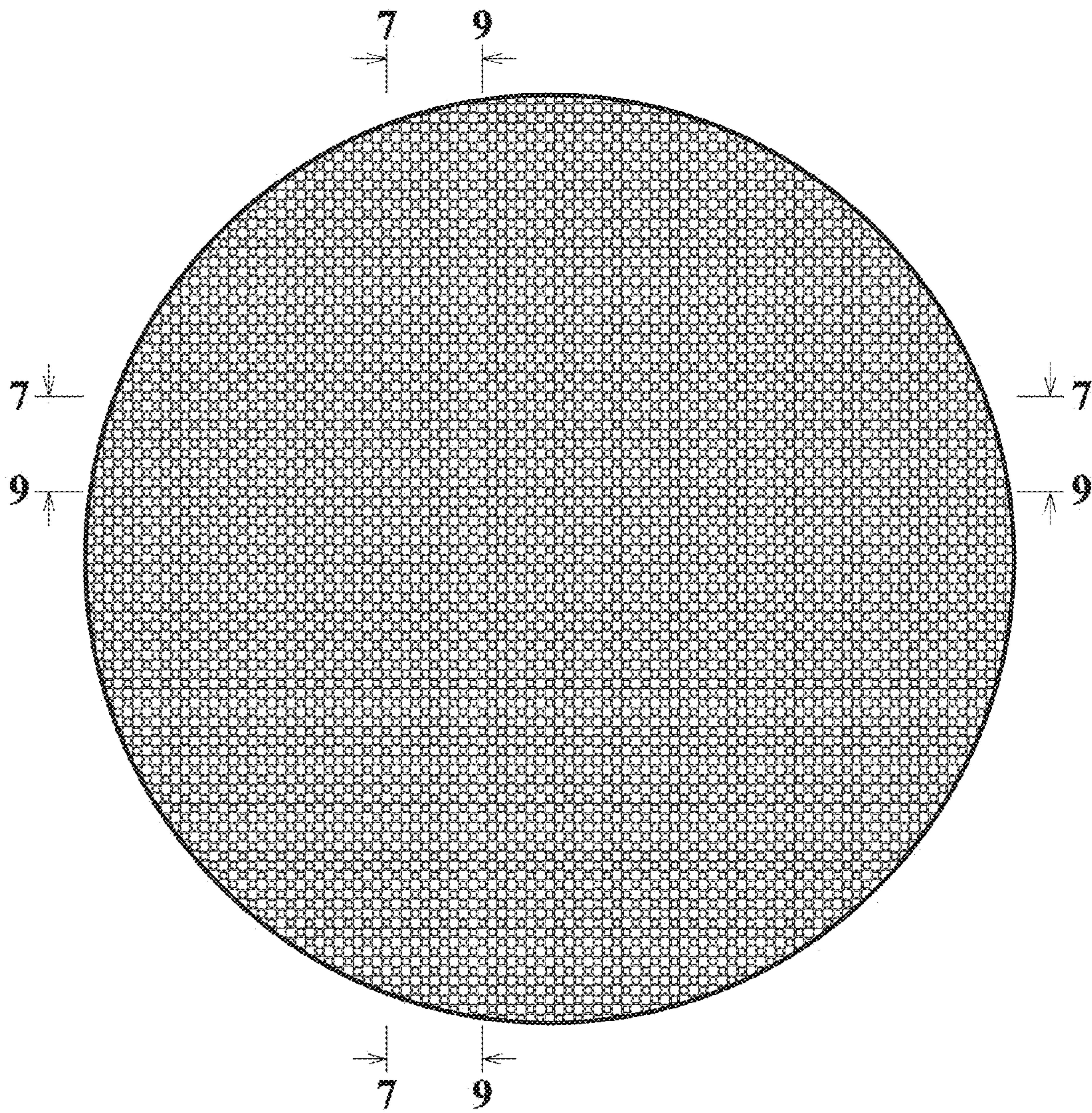


Fig. 4

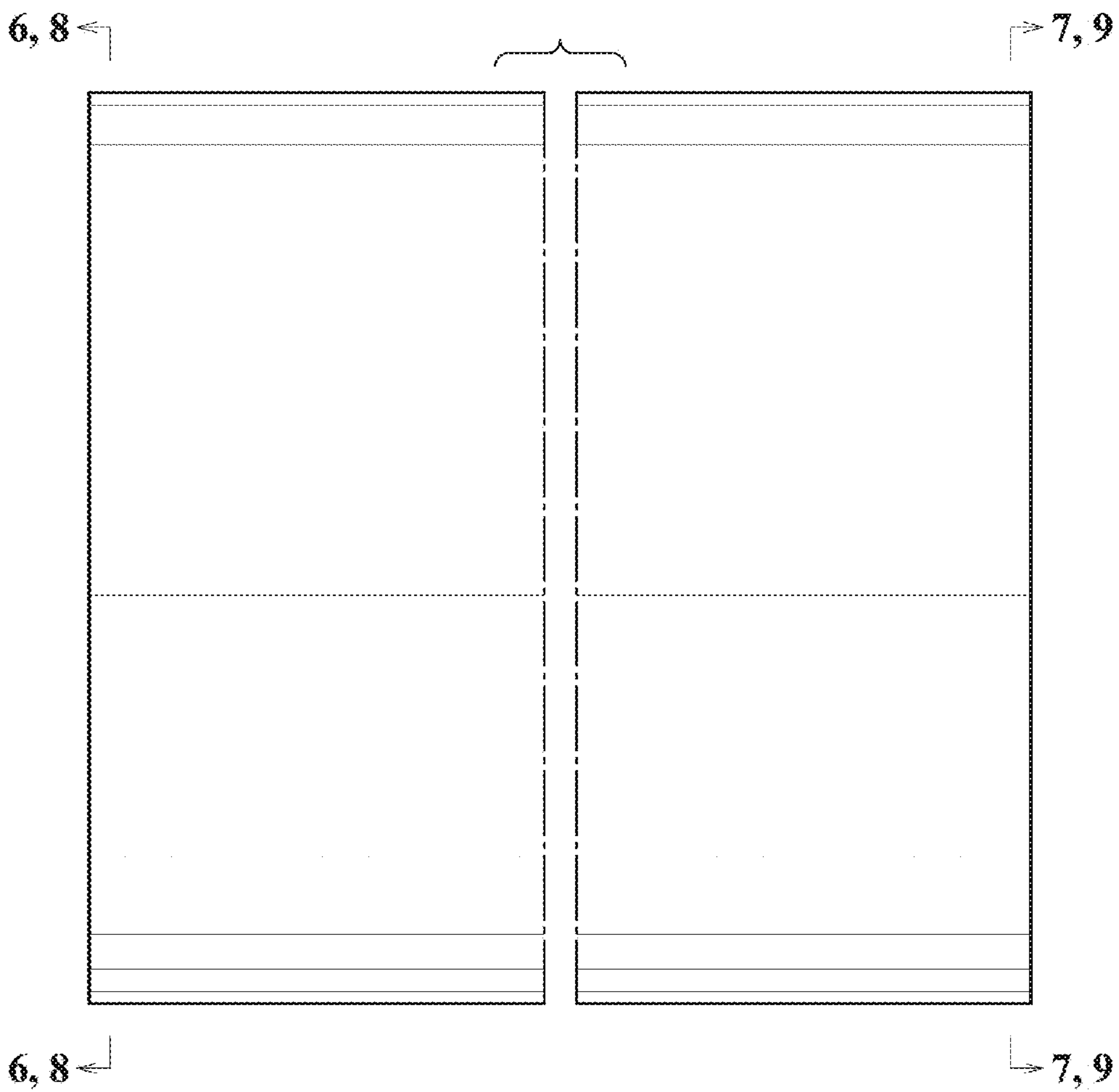


Fig. 5

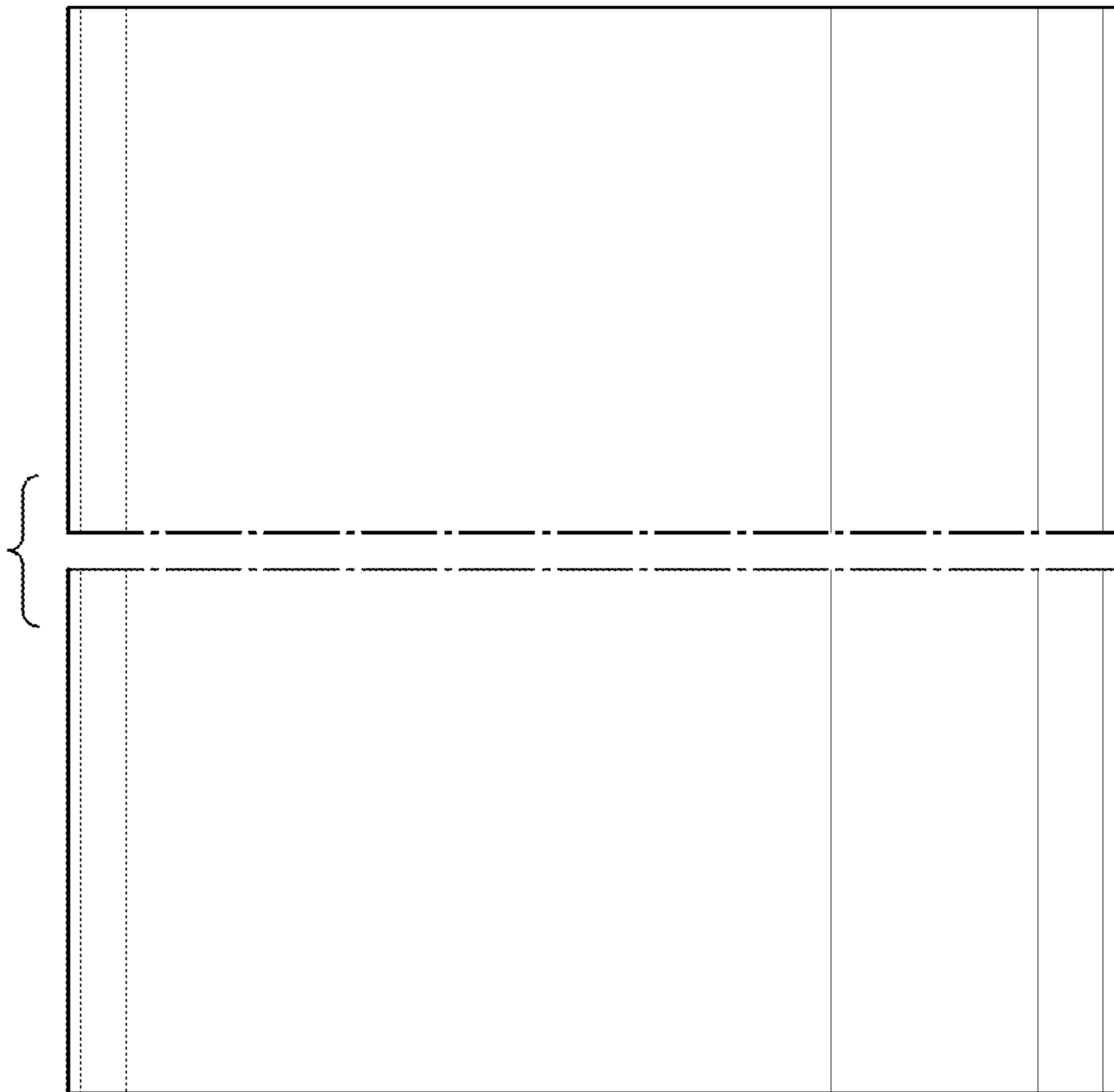


Fig. 6

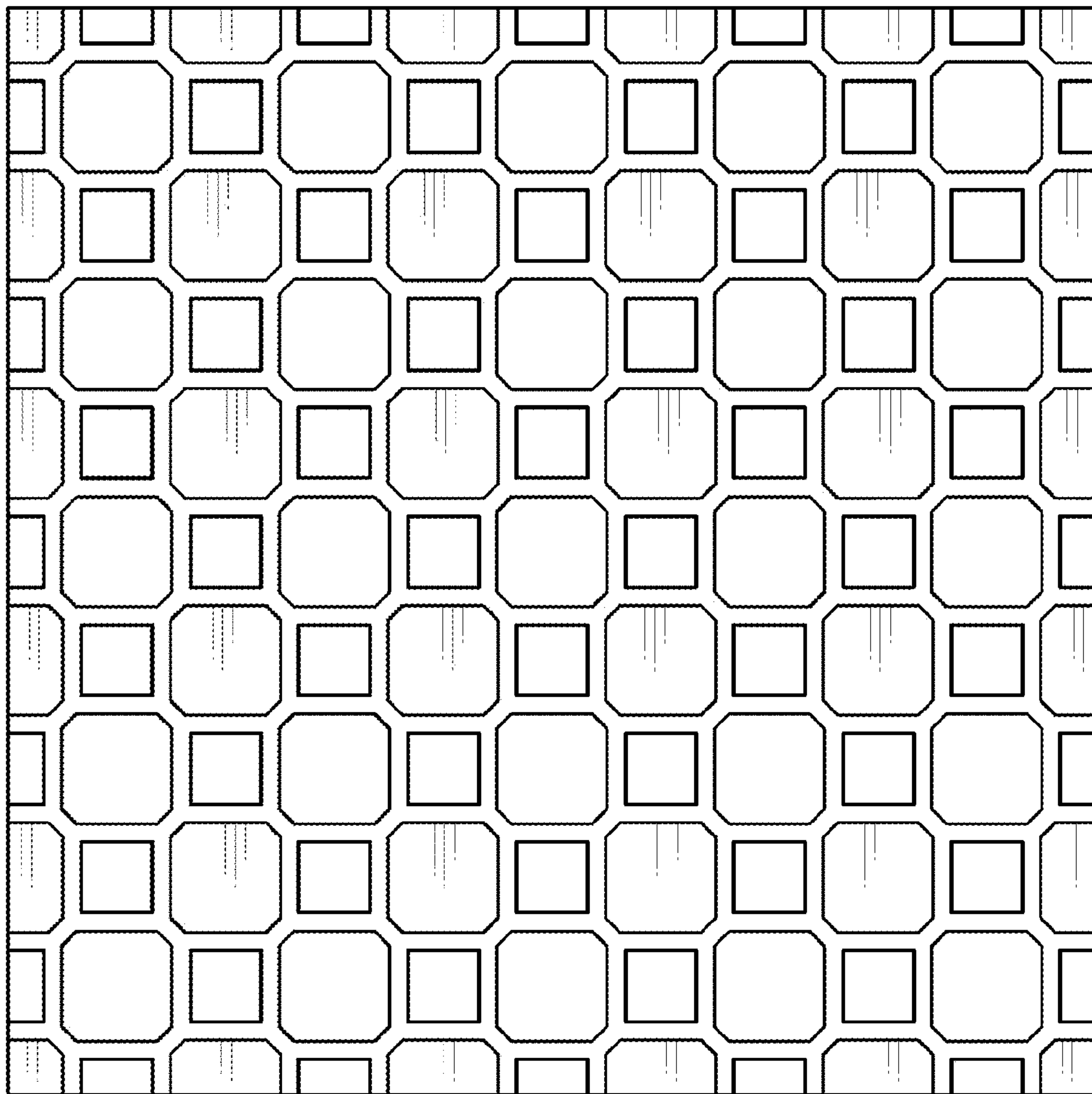


Fig. 7

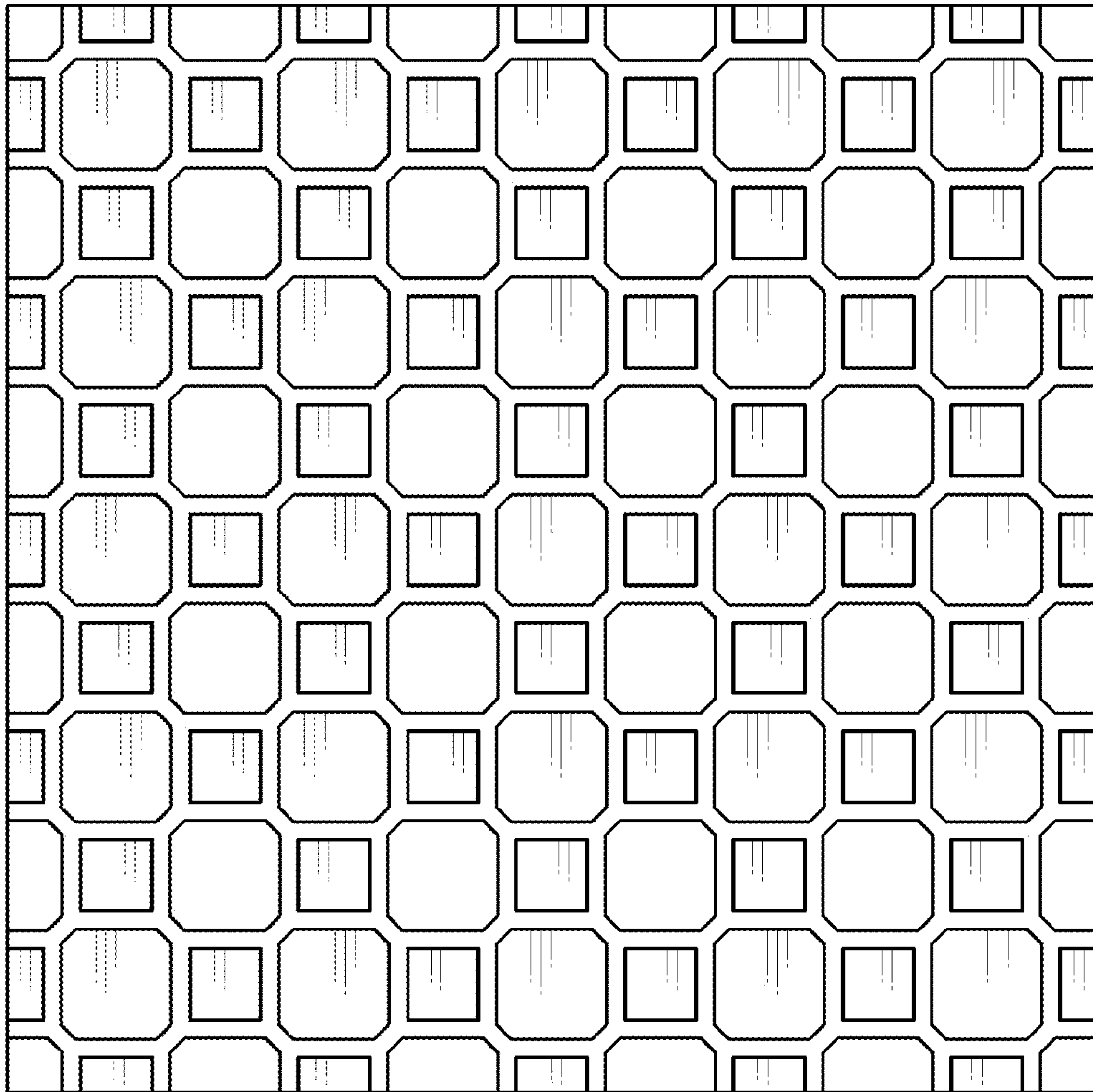


Fig. 8

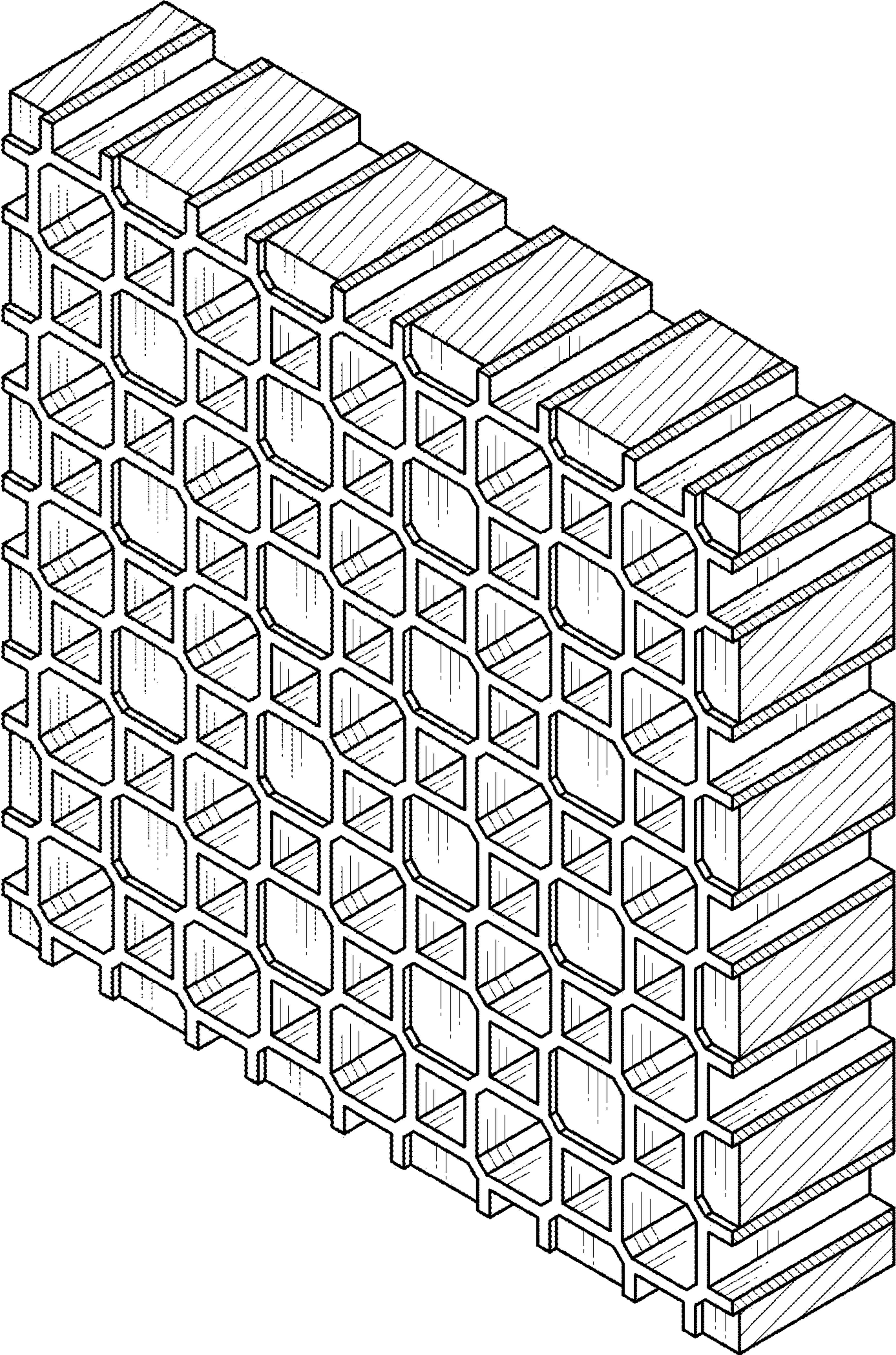


Fig. 9

