



US00D749711S

(12) **United States Design Patent**
Eads

(10) **Patent No.:** **US D749,711 S**

(45) **Date of Patent:** **** Feb. 16, 2016**

(54) **TOILET TANK**

D472,310 S * 3/2003 Kawamura D23/301
D578,620 S * 10/2008 Zou D23/301
D672,019 S * 12/2012 Bucher D23/301

(71) Applicant: **Delta Faucet Company**, Indianapolis,
IN (US)

* cited by examiner

(72) Inventor: **Thad Eads**, North Manchester, IN (US)

Primary Examiner — Robert Delehanty

(73) Assignee: **DELTA FAUCET COMPANY**,
Indianapolis, IN (US)

(74) *Attorney, Agent, or Firm* — Edgar A. Zarins; Nirav D.
Parikh

(**) Term: **14 Years**

(57) **CLAIM**

(21) Appl. No.: **29/512,350**

The ornamental design for a toilet tank, as shown and
described.

(22) Filed: **Dec. 18, 2014**

(51) **LOC (10) Cl.** **23-02**

(52) **U.S. Cl.**
USPC **D23/313**

(58) **Field of Classification Search**
USPC D23/295, 301, 303, 309, 313
CPC E03D 1/00; E03D 1/01
See application file for complete search history.

DESCRIPTION

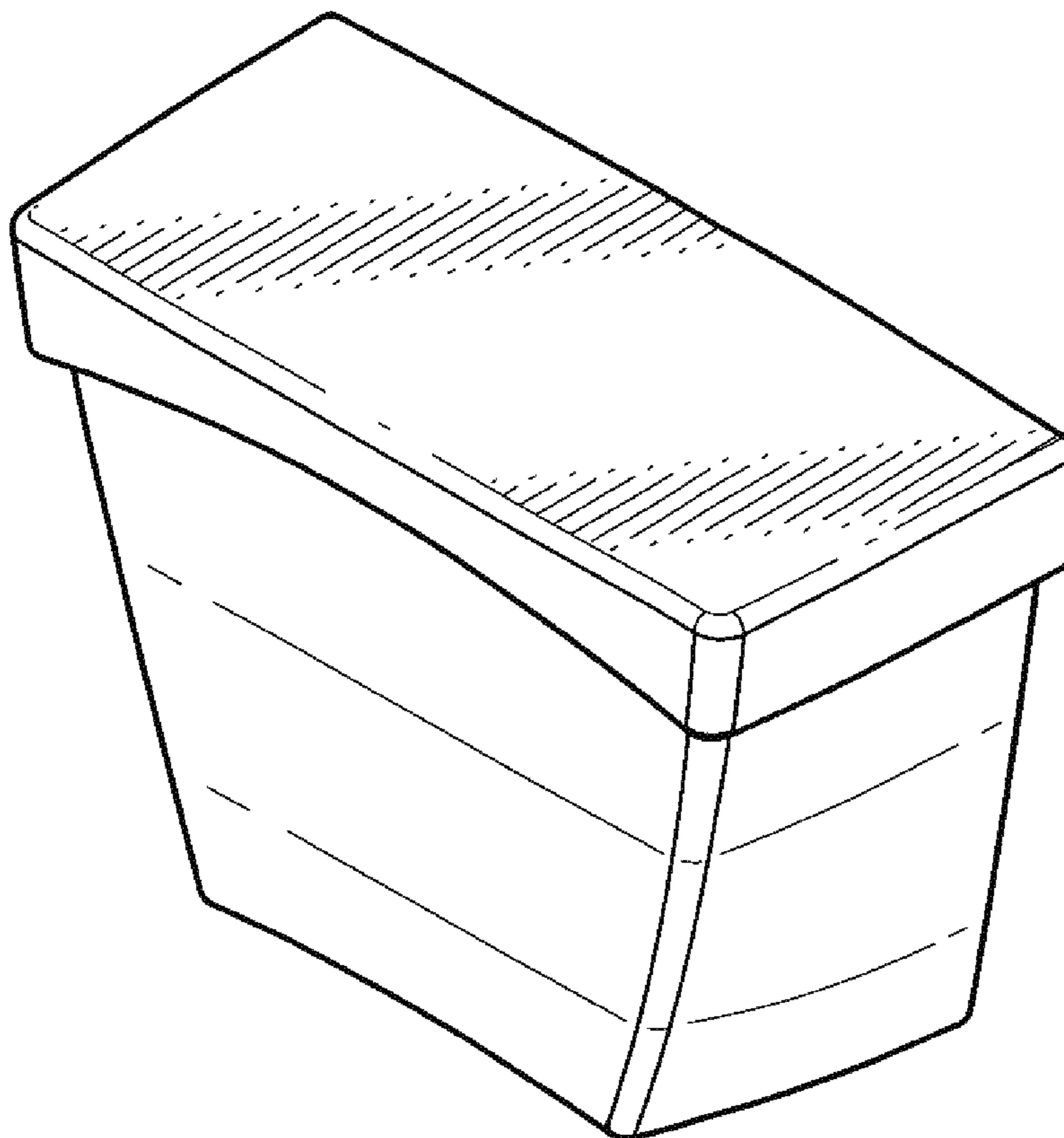
FIG. 1 is a perspective view of a toilet tank showing my new
design;
FIG. 2 is a front elevational view thereof;
FIG. 3 is a top plan view thereof;
FIG. 4 is a rear view thereof;
FIG. 5 is a right side view thereof, the opposite side being a
mirror image of the side shown; and,
FIG. 6 is a bottom view thereof.

(56) **References Cited**

U.S. PATENT DOCUMENTS

D185,618 S * 6/1959 Teague D23/301

1 Claim, 2 Drawing Sheets



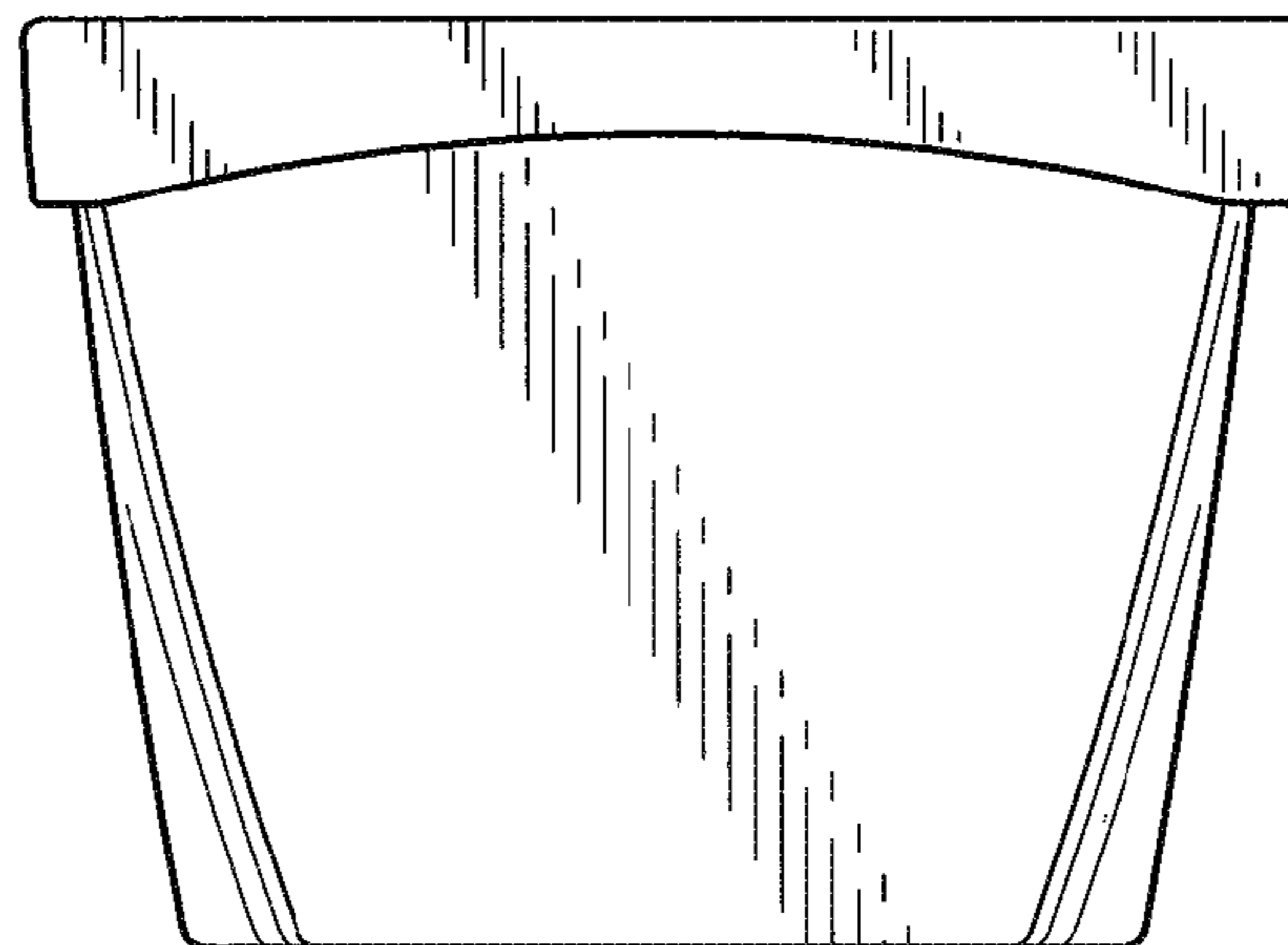
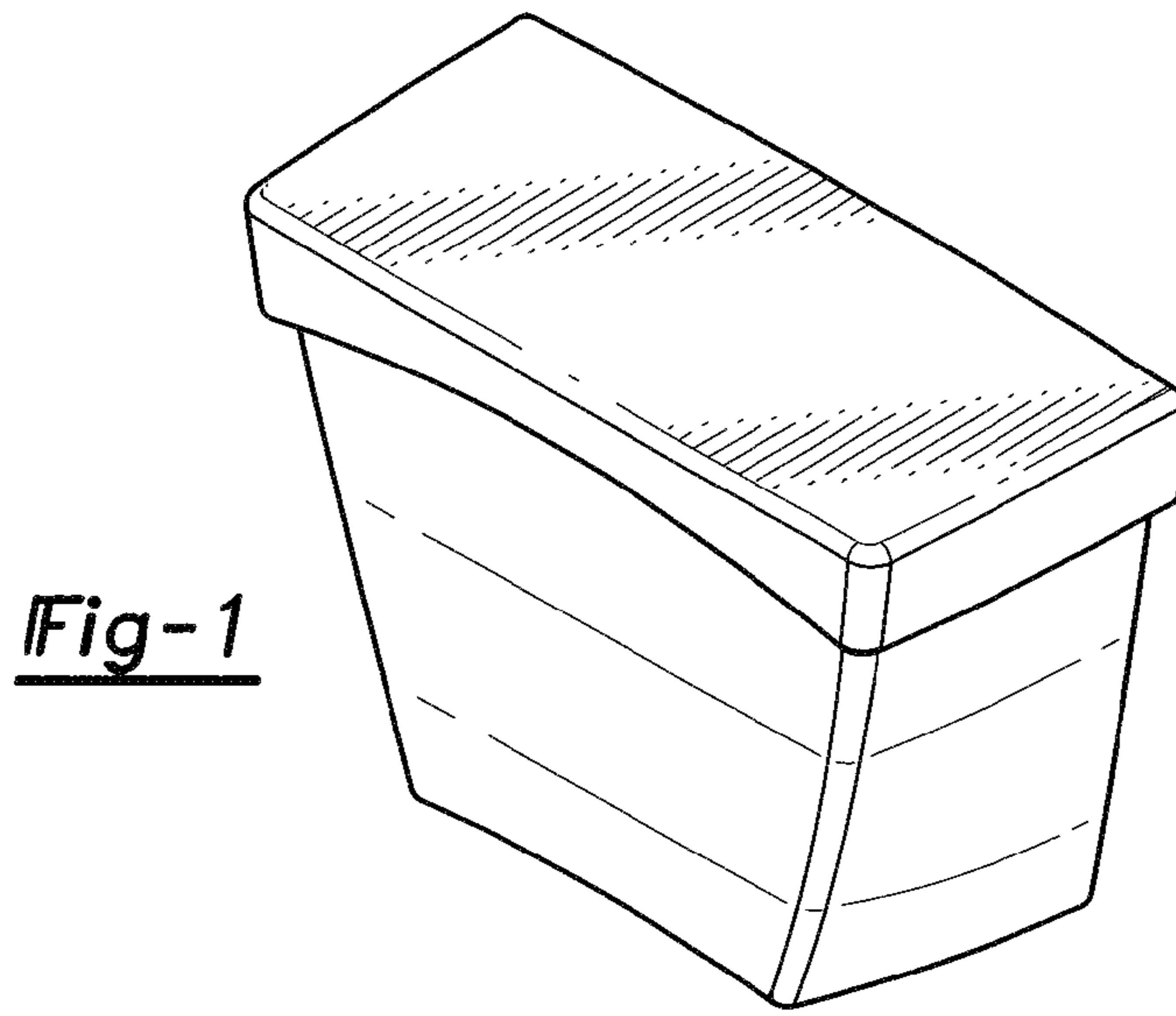


Fig-2

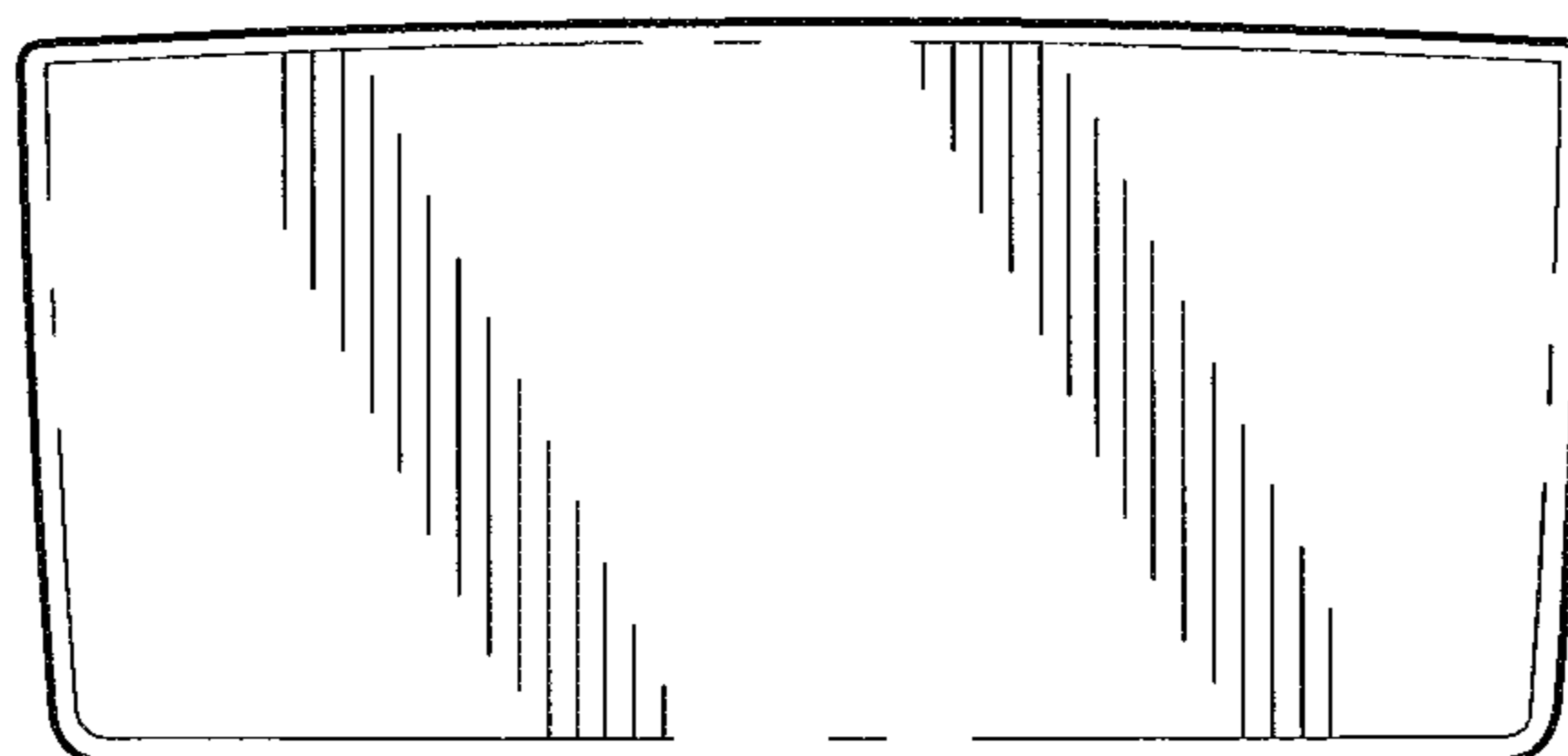


Fig-3

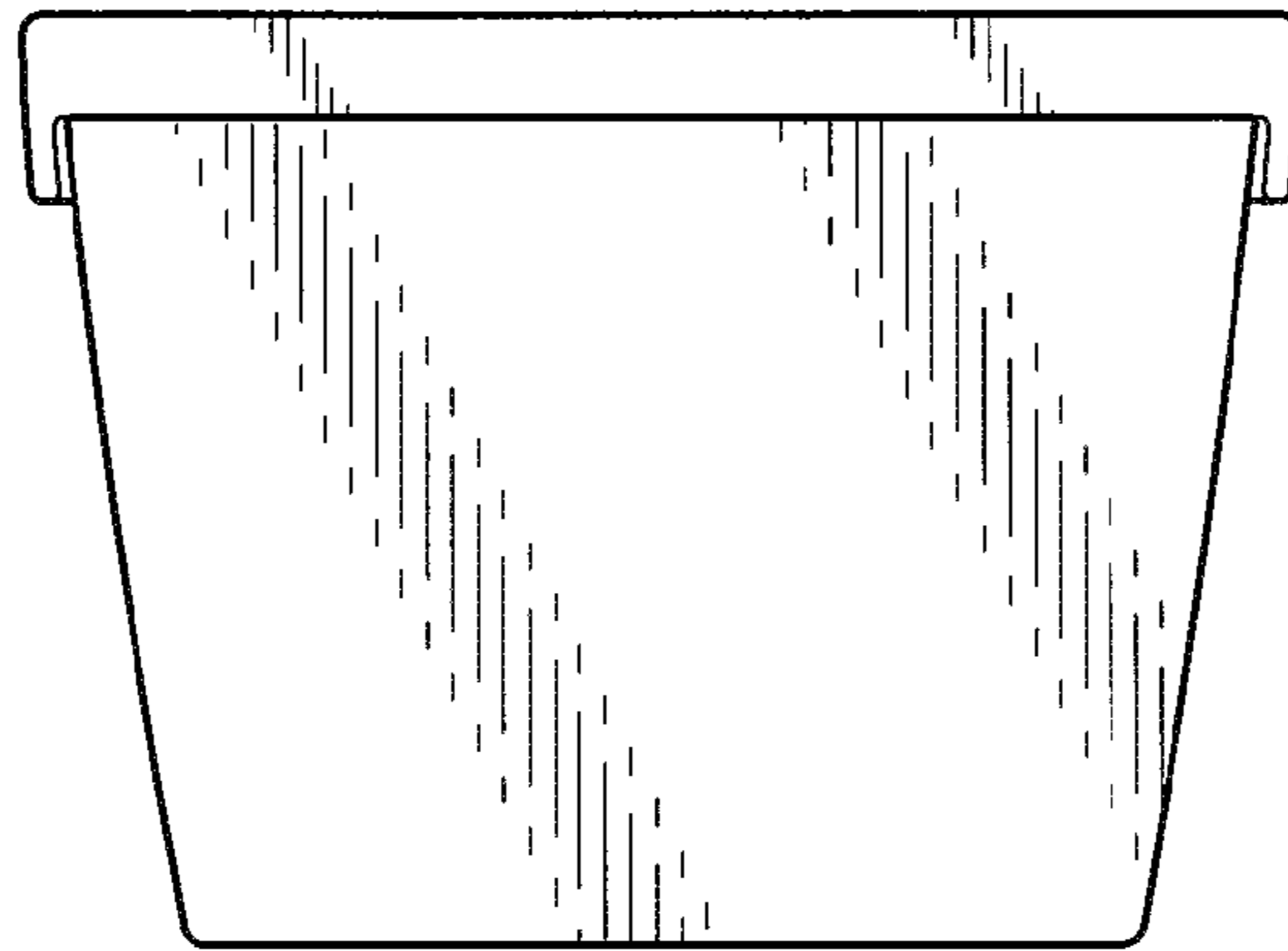


Fig-4

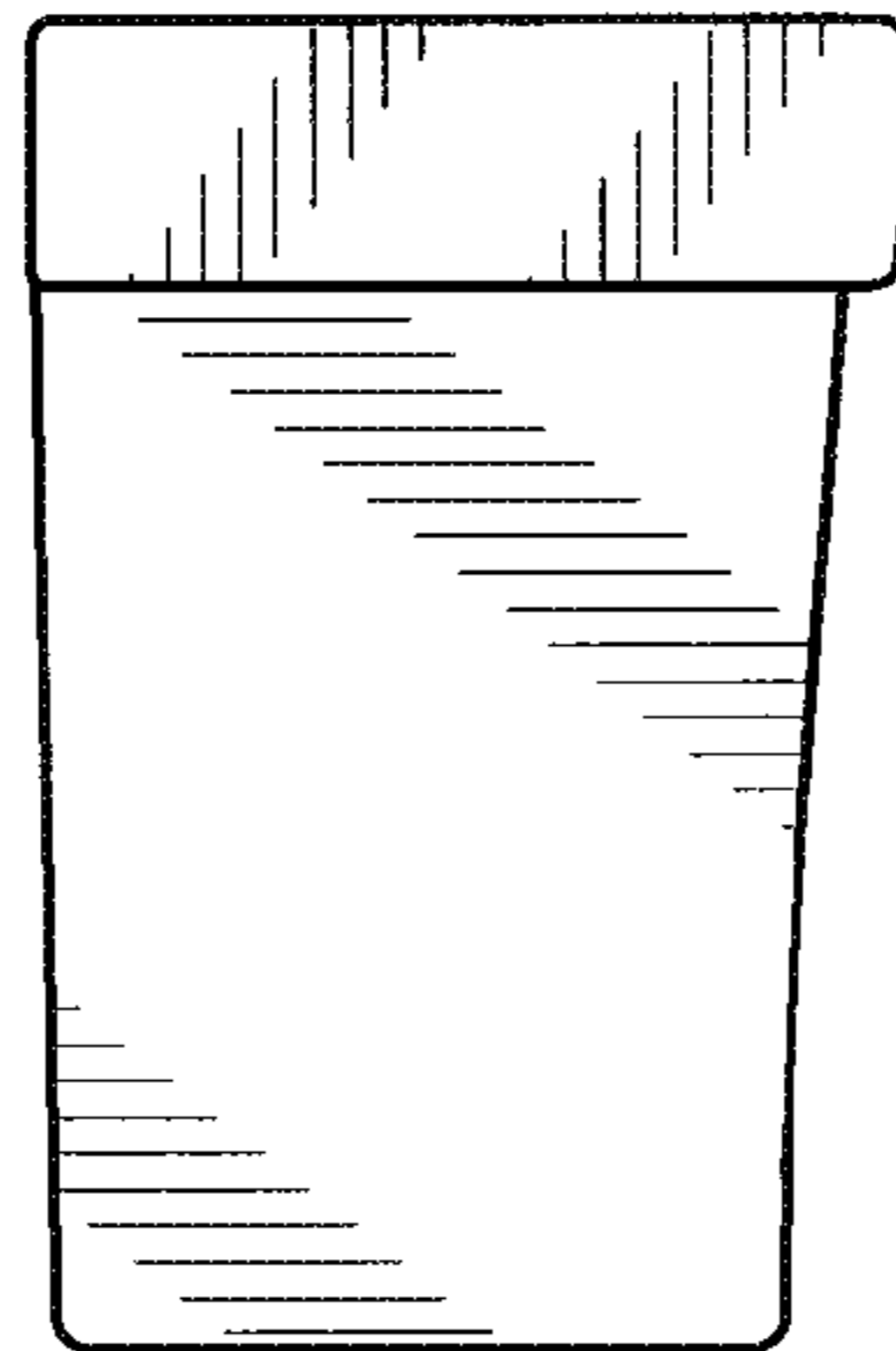


Fig-5

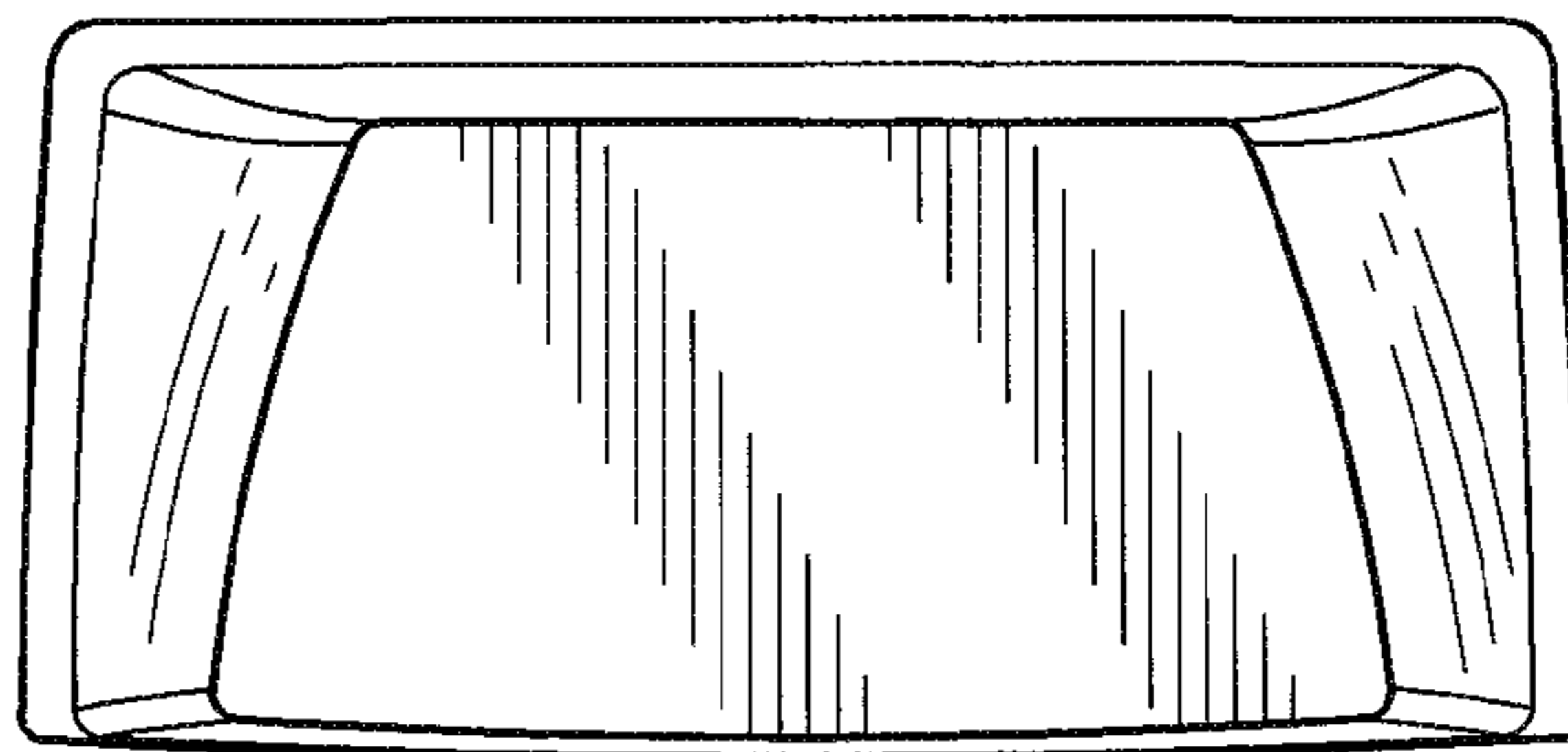


Fig-6