



US00D749710S

(12) **United States Design Patent**
Eads

(10) **Patent No.:** **US D749,710 S**
(45) **Date of Patent:** **** Feb. 16, 2016**

(54) **TOILET BASE**

D542,390 S * 5/2007 Bates D23/295
D628,279 S * 11/2010 Jiang D23/301

(71) Applicant: **Delta Faucet Company**, Indianapolis, IN (US)

* cited by examiner

(72) Inventor: **Thad Eads**, North Manchester, IN (US)

Primary Examiner — Robert Delehanty

(73) Assignee: **DELTA FAUCET COMPANY**, Indianapolis, IN (US)

(74) *Attorney, Agent, or Firm* — Edgar A. Zarins; Nirav D. Parikh

(**) Term: **14 Years**

(21) Appl. No.: **29/512,382**

(22) Filed: **Dec. 18, 2014**

(51) **LOC (10) Cl.** **23-02**

(52) **U.S. Cl.**
USPC **D23/295**

(58) **Field of Classification Search**
USPC D23/295, 301, 303, 309, 313
CPC E03D 1/00; E03D 1/01; E03D 11/02
See application file for complete search history.

(57) **CLAIM**

The ornamental design for a toilet base, as shown and described.

DESCRIPTION

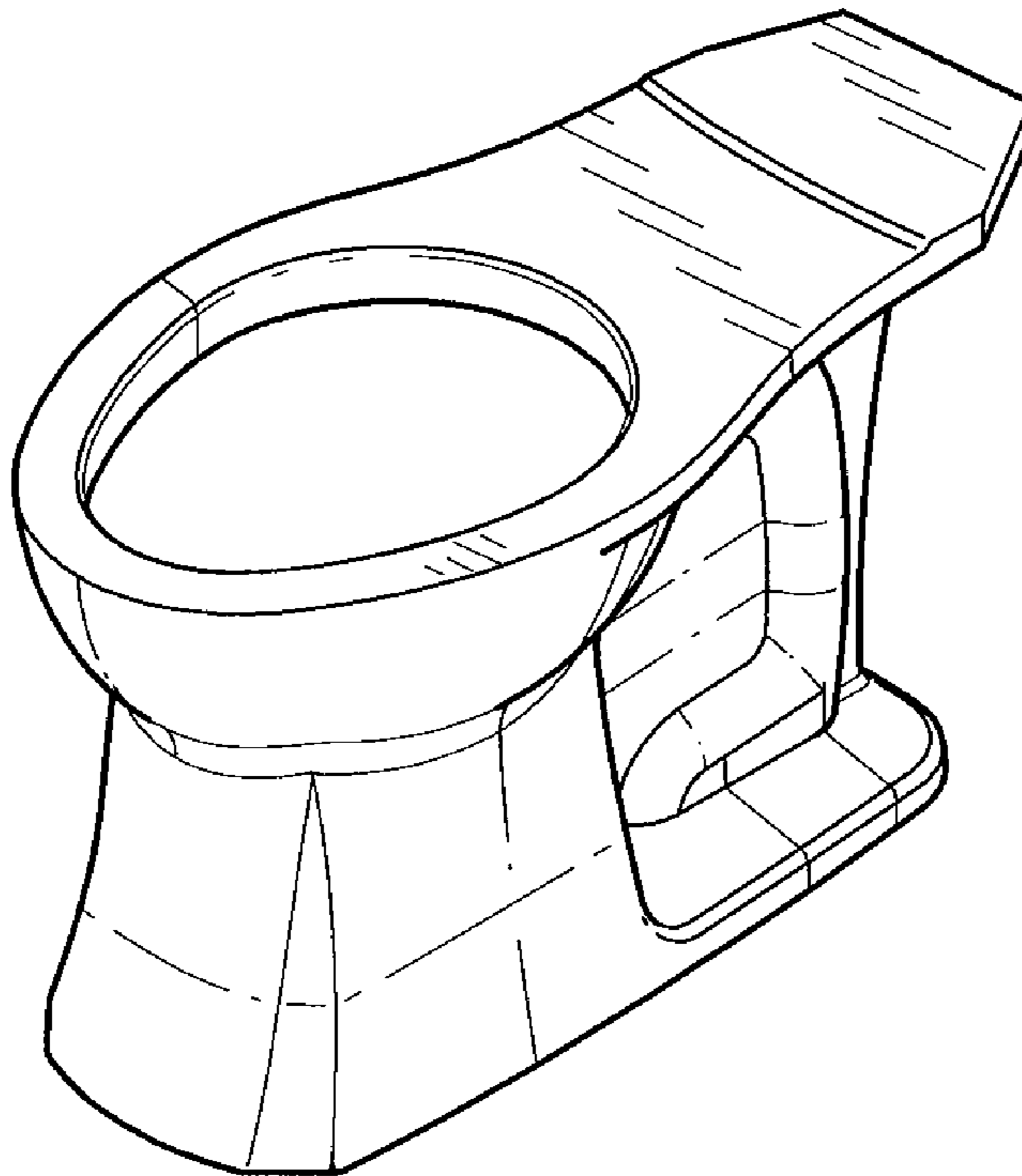
FIG. 1 is a perspective view of a toilet base showing my new design;
FIG. 2 is a top plan view thereof;
FIG. 3 is a bottom view thereof;
FIG. 4 is a front elevational view thereof;
FIG. 5 is a right side view thereof, the opposite side being a mirror image of the side shown; and,
FIG. 6 is a rear view thereof.

(56) **References Cited**

U.S. PATENT DOCUMENTS

D533,927 S * 12/2006 Kakihana D23/301

1 Claim, 2 Drawing Sheets



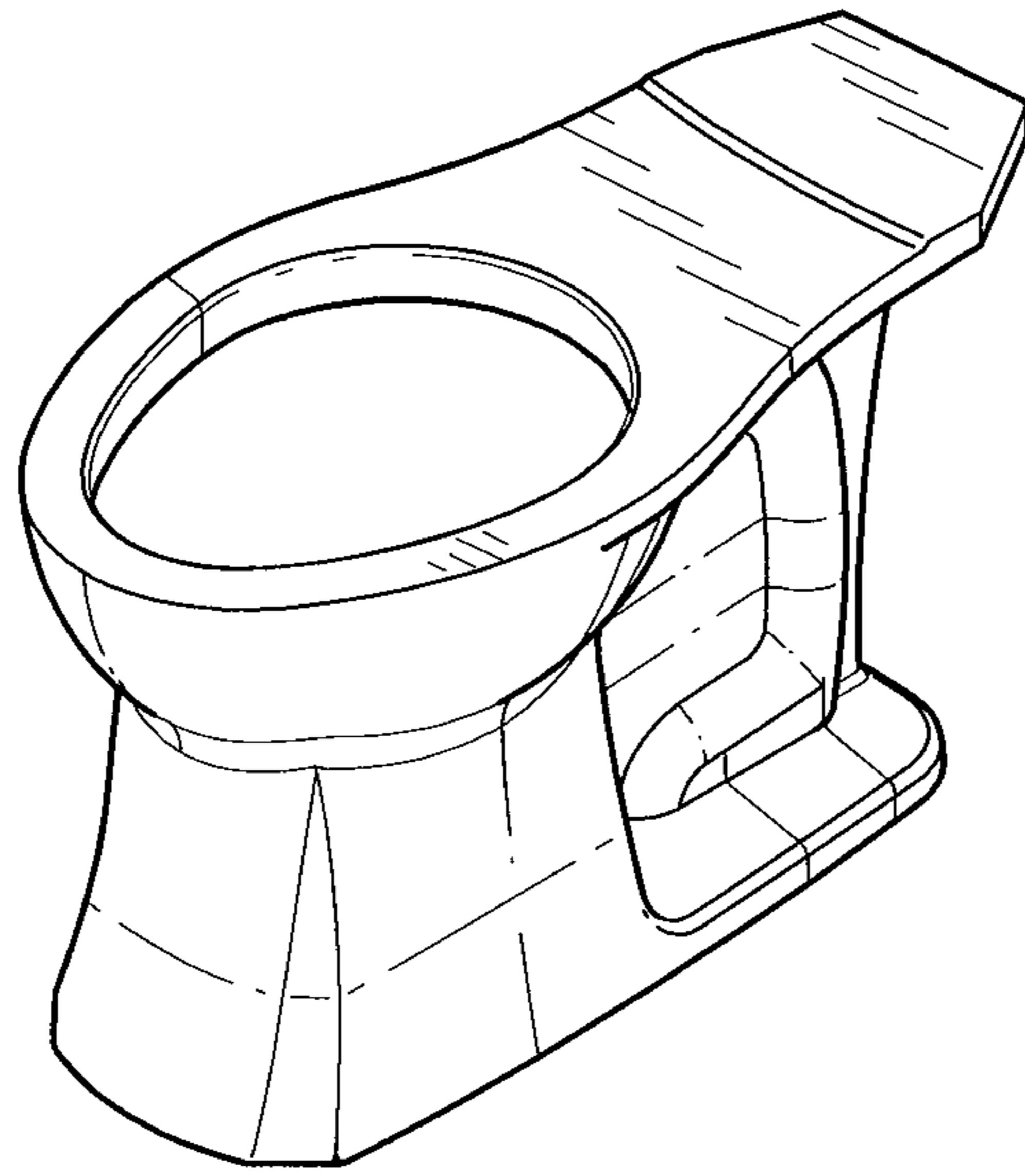


Fig-1

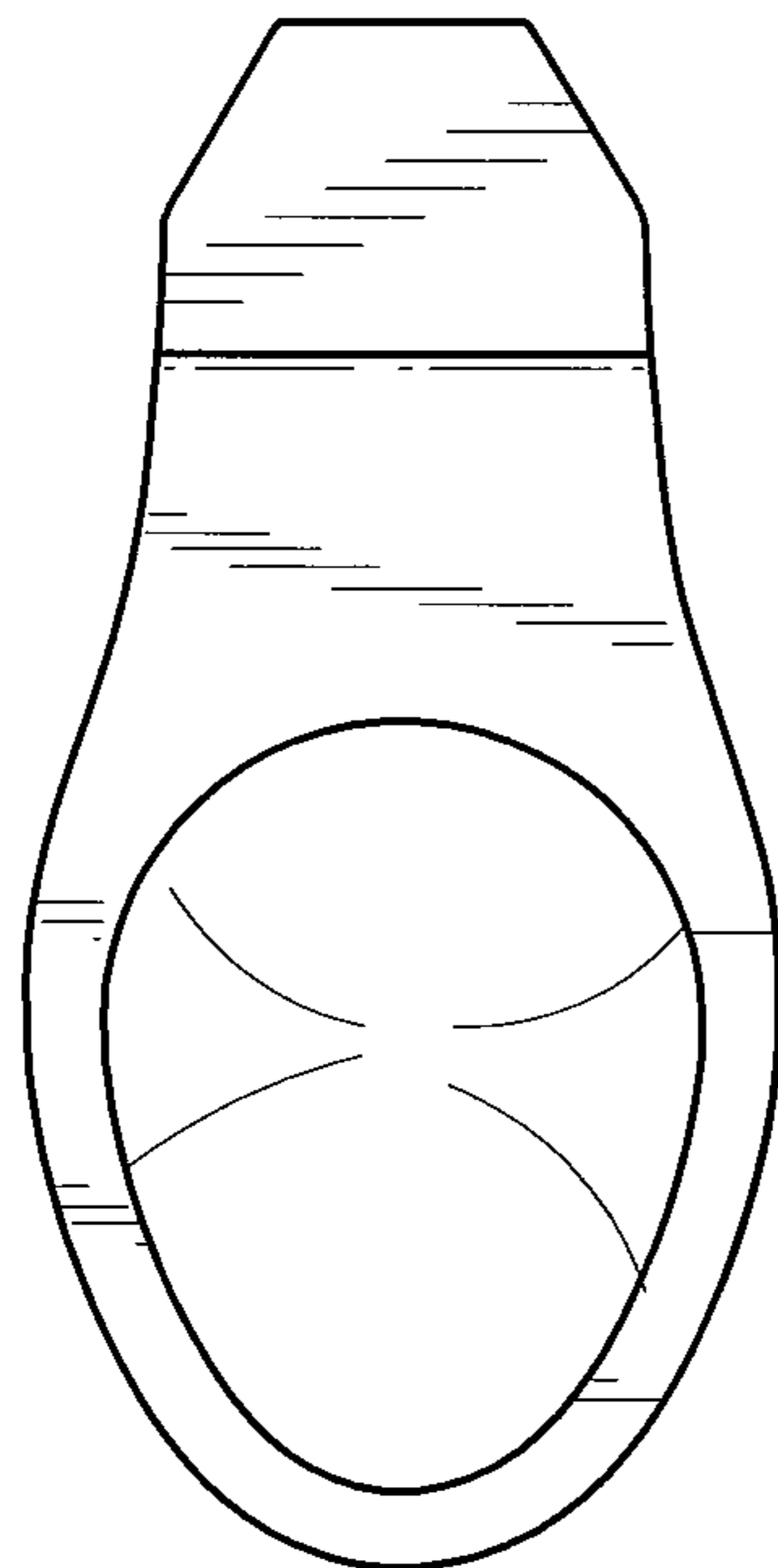


Fig-2

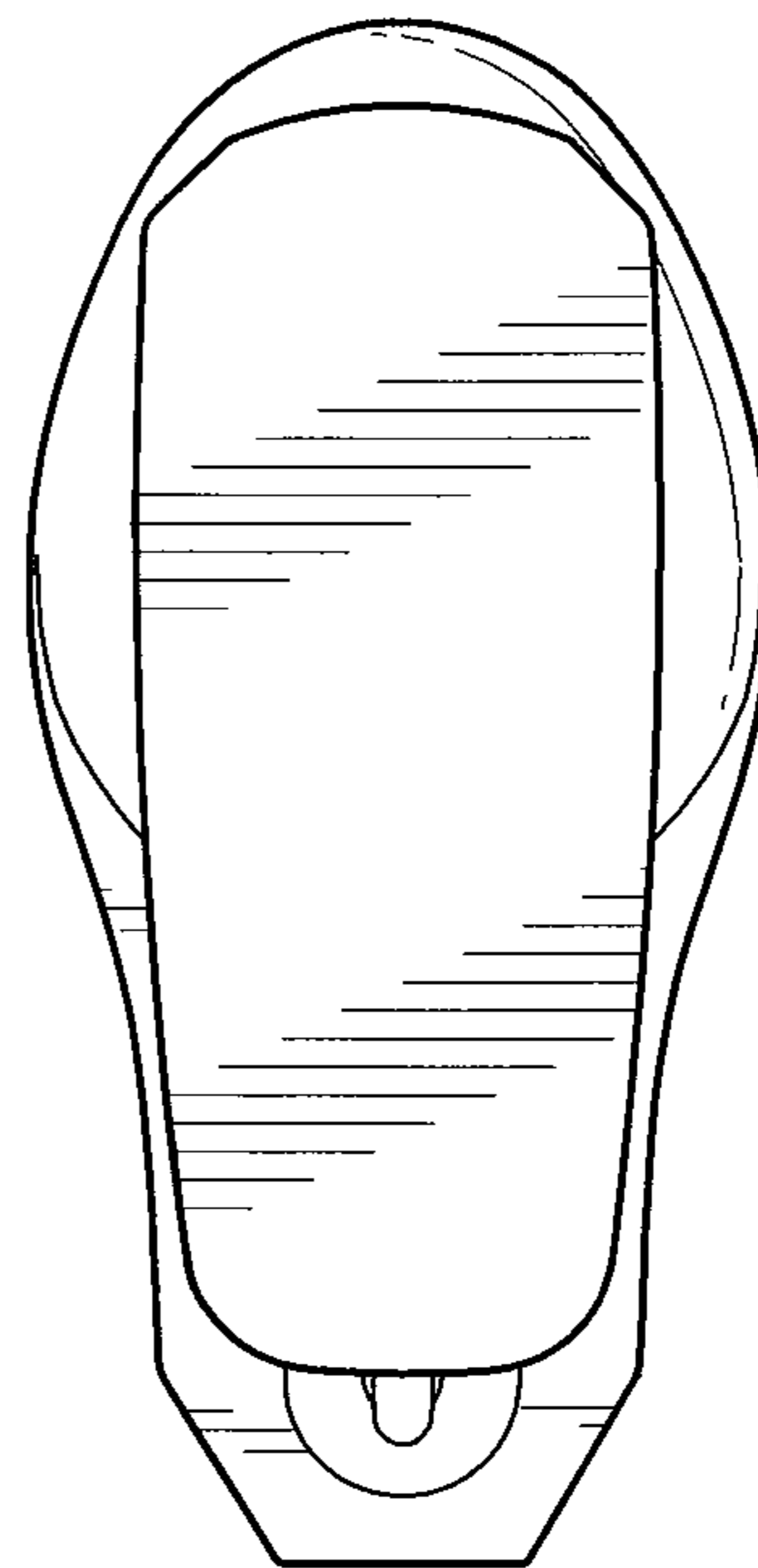


Fig-3

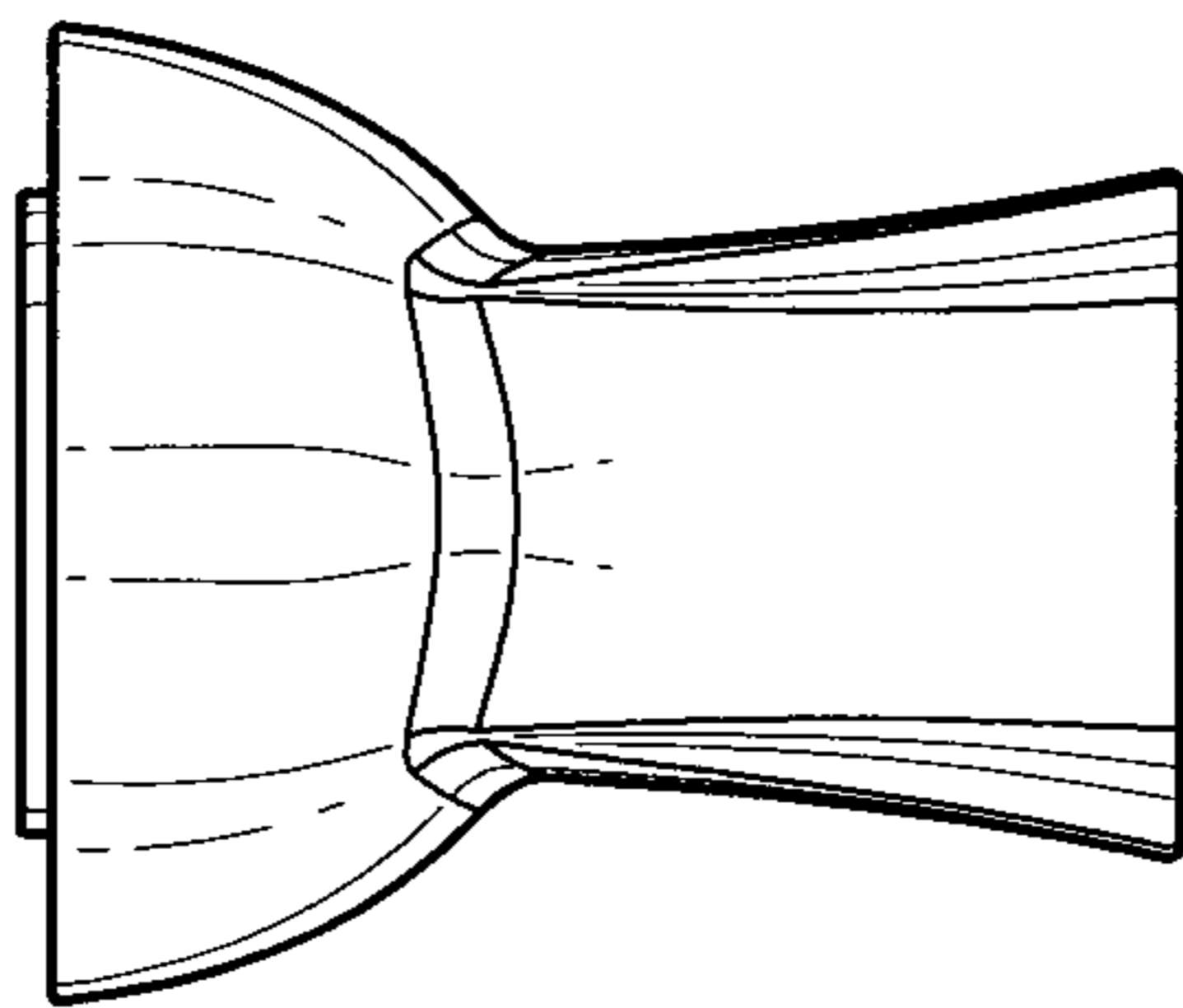


Fig-4

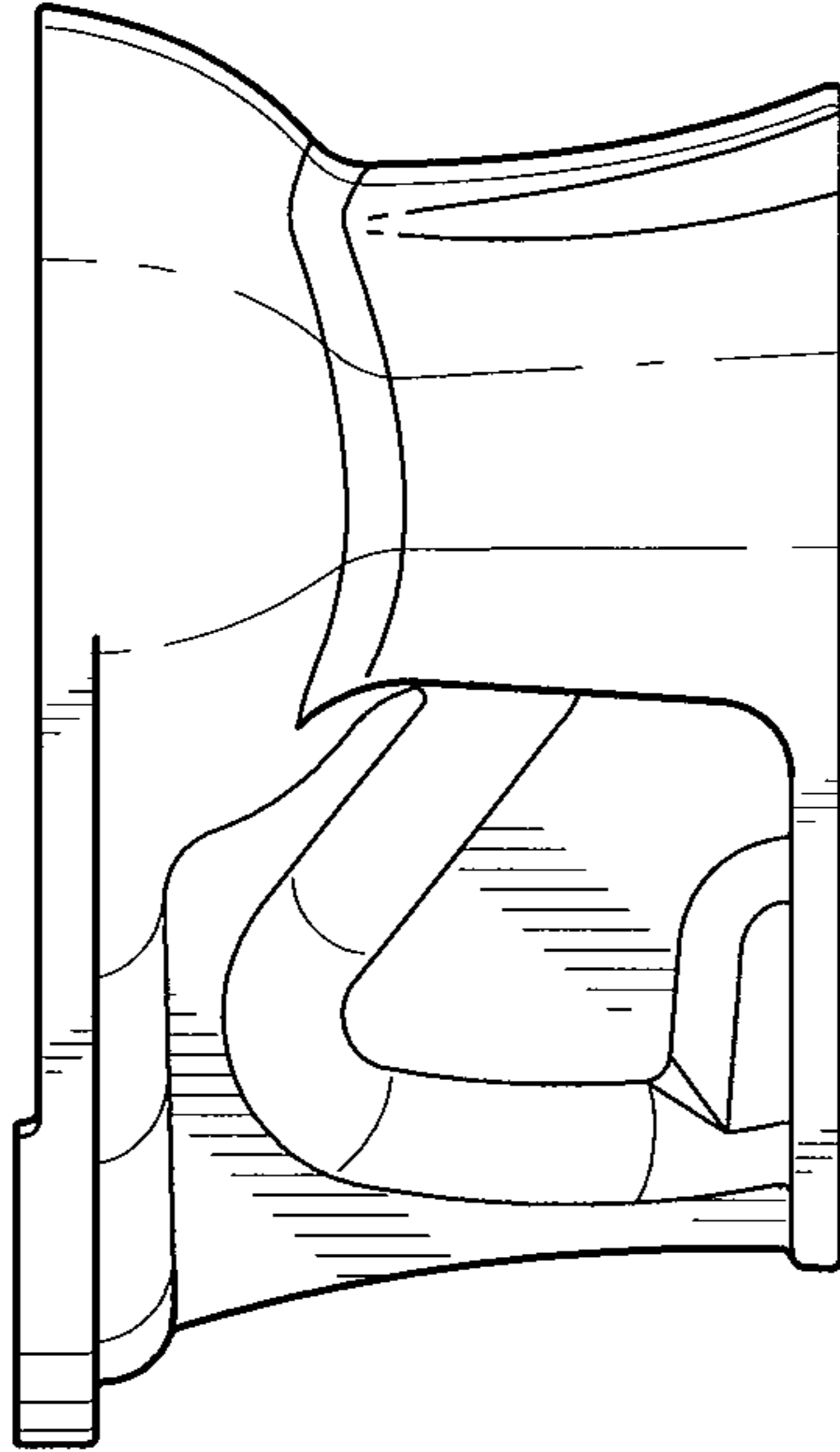


Fig-5

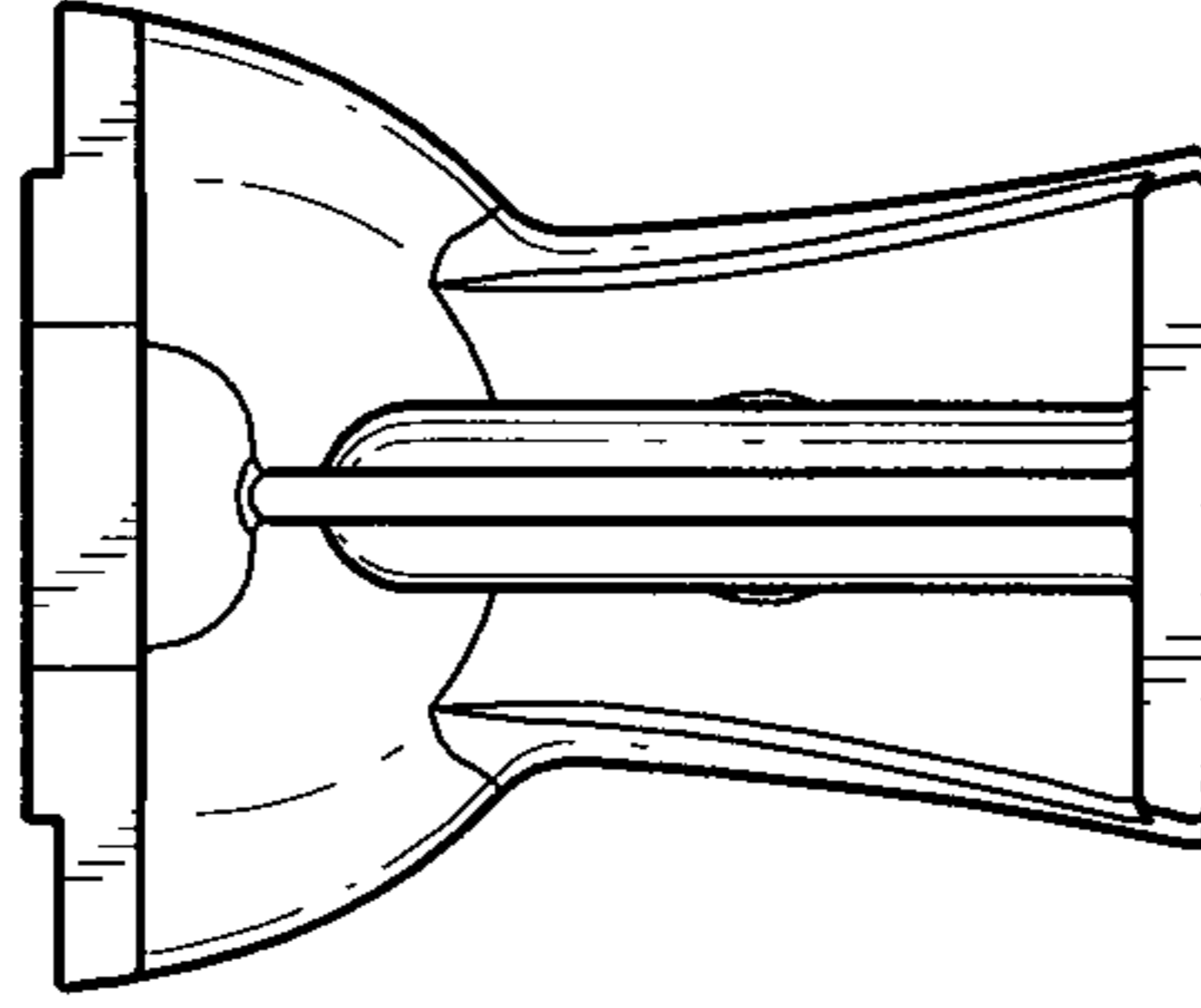


Fig-6