



US00D749708S

(12) **United States Design Patent**  
**Smith**

(10) **Patent No.:** **US D749,708 S**

(45) **Date of Patent:** **\*\* Feb. 16, 2016**

(54) **PIPE JOINT SEAL WITH ANNULAR REINFORCEMENT RIDGE**

(71) Applicant: **Steven A Smith**, Alabaster, AL (US)

(72) Inventor: **Steven A Smith**, Alabaster, AL (US)

(\*\*) Term: **14 Years**

(21) Appl. No.: **29/517,470**

(22) Filed: **Feb. 12, 2015**

(51) **LOC (10) Cl.** ..... **23-01**

(52) **U.S. Cl.**  
USPC ..... **D23/269**

(58) **Field of Classification Search**

USPC ..... D13/120; D23/259–266, 269, 393  
CPC ..... E03F 5/06; F16L 23/036; F16L 23/08;  
F16L 9/003; F16L 19/064; F16L 19/10283;  
F16L 19/065; B21D 22/16; F16J 15/125  
See application file for complete search history.

(56) **References Cited**

U.S. PATENT DOCUMENTS

892,524 A \* 7/1908 Jeffreys ..... F16L 23/036  
285/364  
1,520,028 A \* 12/1924 Krause ..... F16L 23/036  
285/405  
1,942,704 A \* 1/1934 Hubbard ..... F16J 15/125  
277/601  
2,013,293 A \* 9/1935 Snell ..... F06L 23/08  
285/33  
3,638,971 A \* 2/1972 Smith ..... E21B 17/18  
285/352  
4,443,029 A \* 4/1984 Laxo ..... F16L 23/08  
285/367  
4,778,189 A \* 10/1988 Udagawa ..... F16J 15/123  
277/612  
4,962,938 A \* 10/1990 Cooper ..... F16J 15/064  
137/68.23  
D372,033 S \* 7/1996 Kanemitsu ..... D15/5

D372,074 S \* 7/1996 Wallace ..... D23/269  
D374,015 S \* 9/1996 Wainer ..... 277/608  
D375,150 S \* 10/1996 Wainer ..... D23/269  
D375,160 S \* 10/1996 Sampson ..... D23/262  
6,688,337 B2 \* 2/2004 Ward ..... F16L 55/265  
138/97  
D563,206 S \* 3/2008 Bakker ..... D8/356  
D644,720 S \* 9/2011 Bond ..... D23/269  
D644,721 S \* 9/2011 Bond ..... D23/269  
D644,722 S \* 9/2011 Bond ..... D23/269  
2005/0258642 A1 \* 11/2005 Brophy, III ..... F01N 13/1811  
285/223  
2006/0162326 A1 \* 7/2006 Nakagawa ..... F01N 13/1805  
60/322  
2008/0012324 A1 \* 1/2008 Dole ..... F16L 19/0283  
285/339  
2014/0333035 A1 \* 11/2014 Schemmann ..... F16J 15/02  
277/602

\* cited by examiner

*Primary Examiner* — George D Kirschbaum

*Assistant Examiner* — Amy Wierenga

(74) *Attorney, Agent, or Firm* — Gerald M. Walsh; Leo Law Firm, LLC

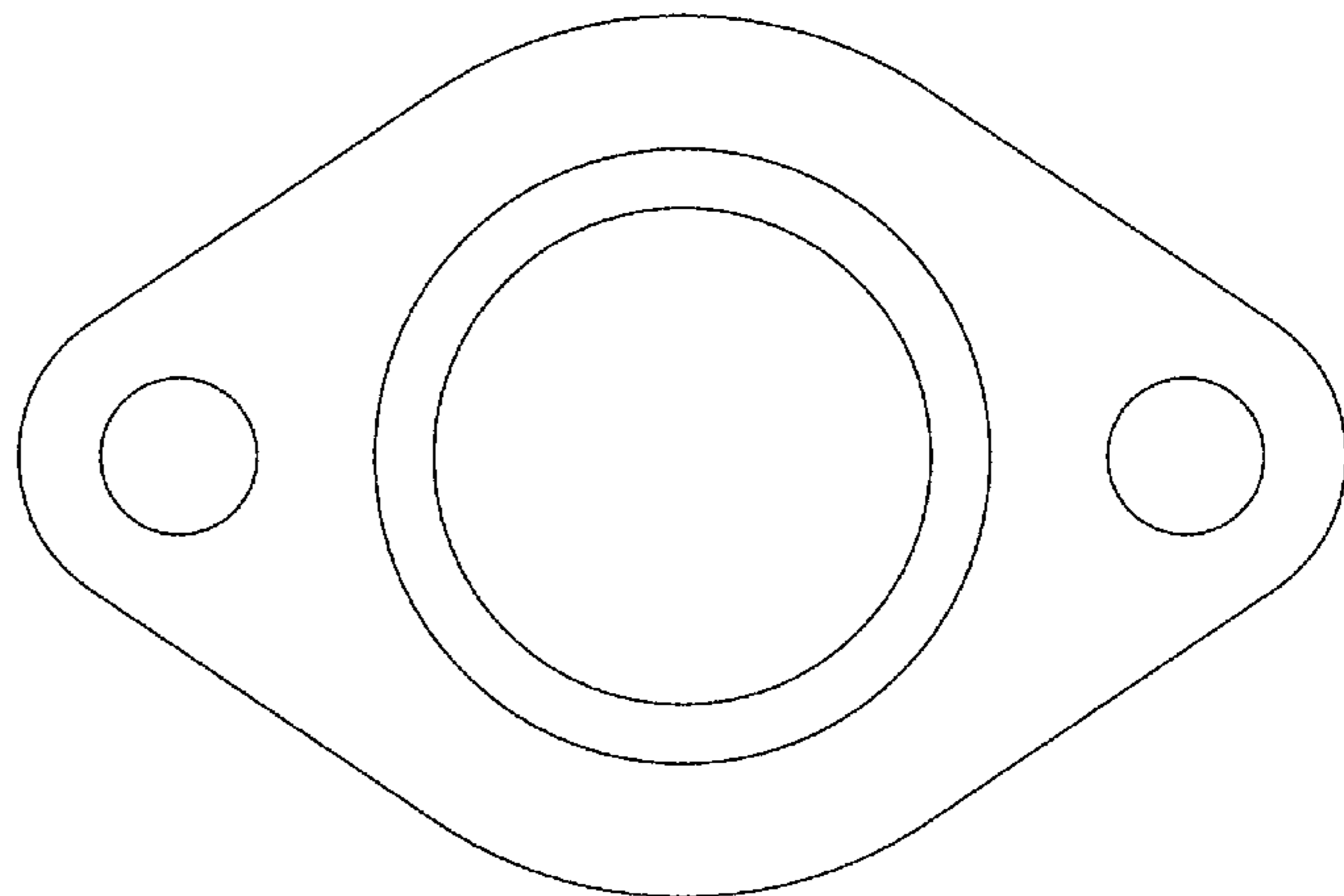
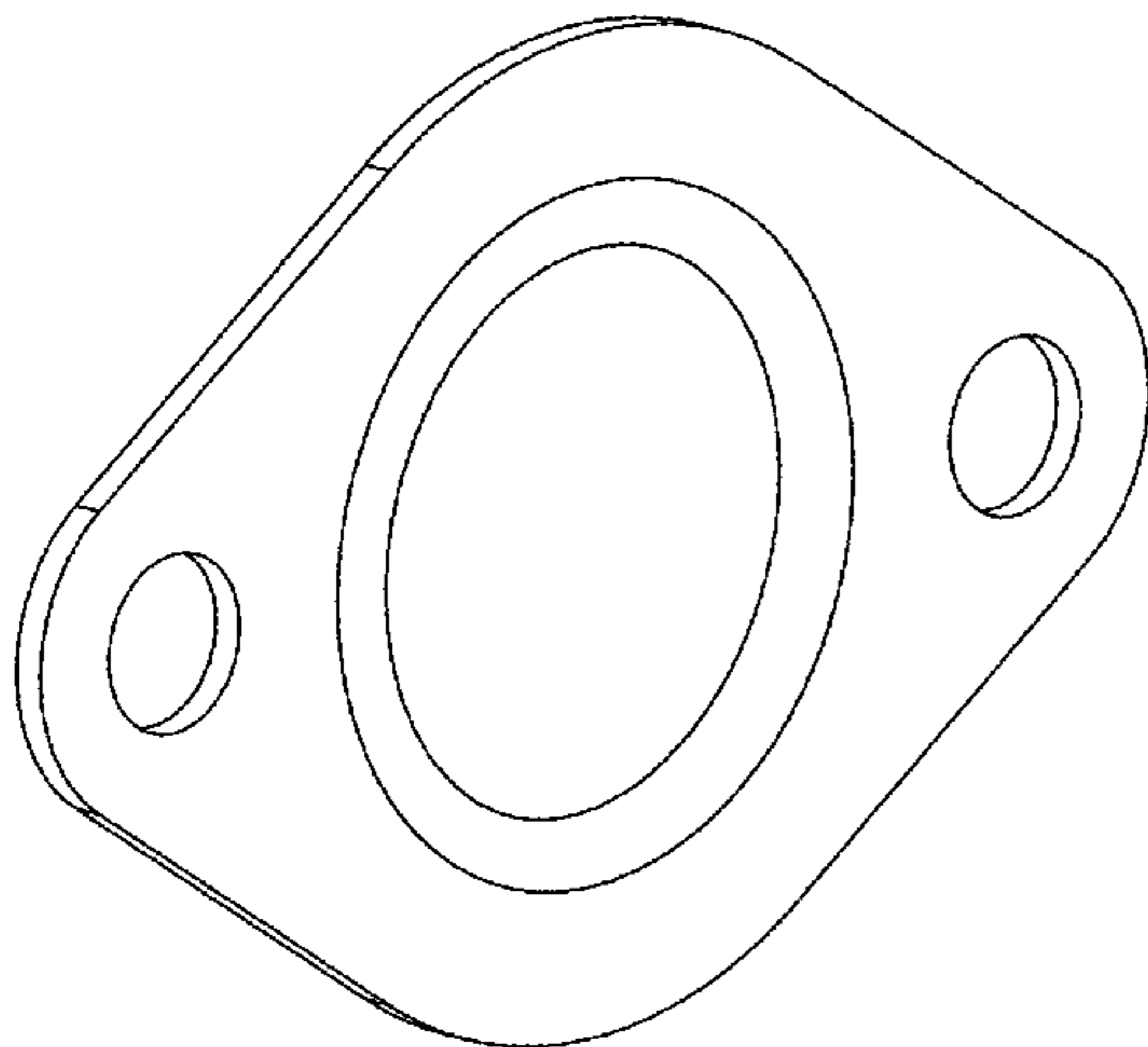
(57) **CLAIM**

I claim the ornamental design for a pipe joint seal with annular reinforcement ridge, as shown and described.

**DESCRIPTION**

FIG. 1 is a front left perspective view of a pipe joint seal with annular reinforcement ridge showing my new design; FIG. 2 is a front elevation view thereof, the rear view being a mirror image thereof; FIG. 3 is a top plan view thereof, the bottom view being a mirror image thereof; and, FIG. 4 is a left side elevation view thereof, the right side view being a mirror image thereof. The annular reinforcement ridge encircles the central opening of the pipe joint seal.

**1 Claim, 2 Drawing Sheets**



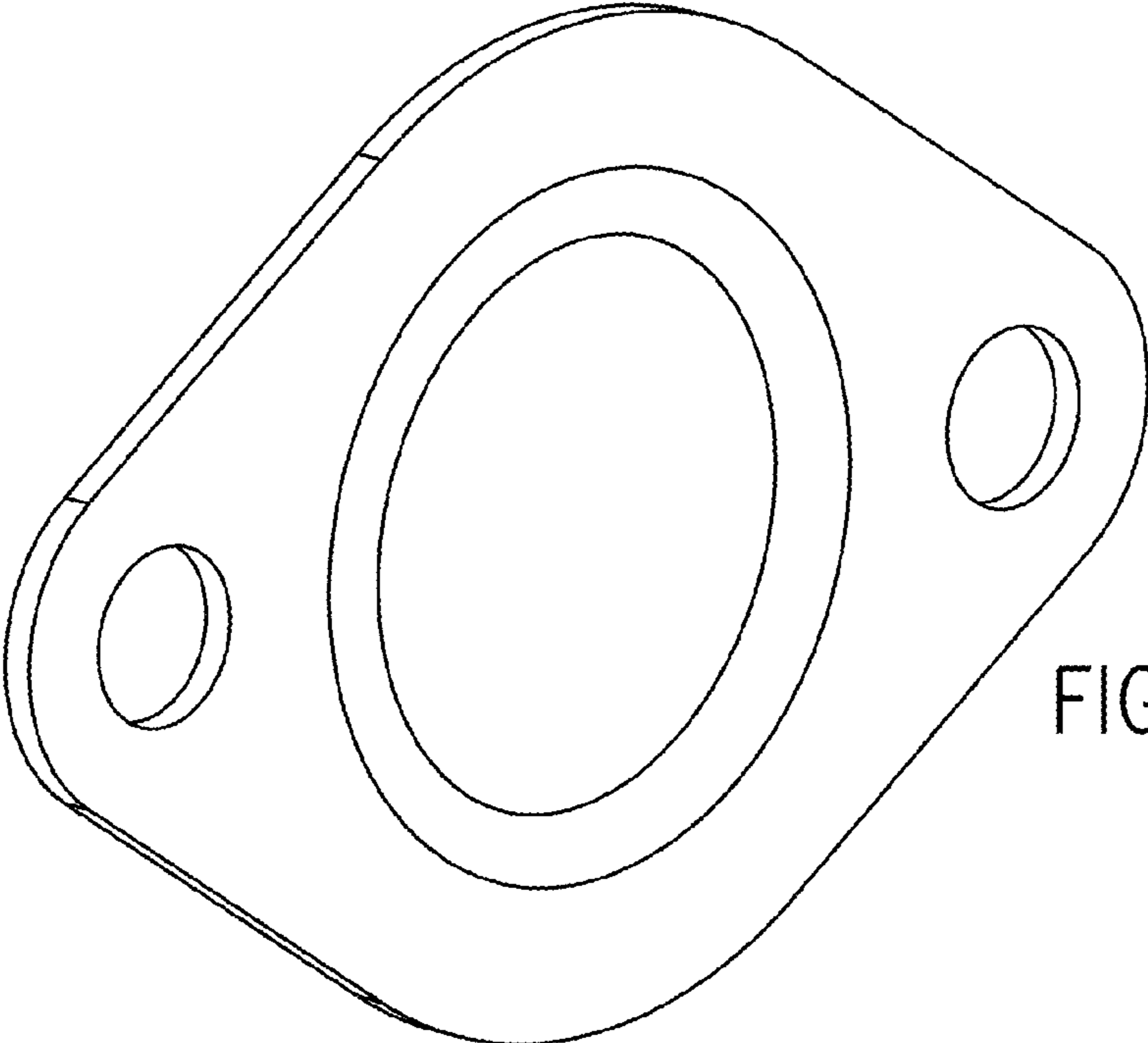


FIG. 1

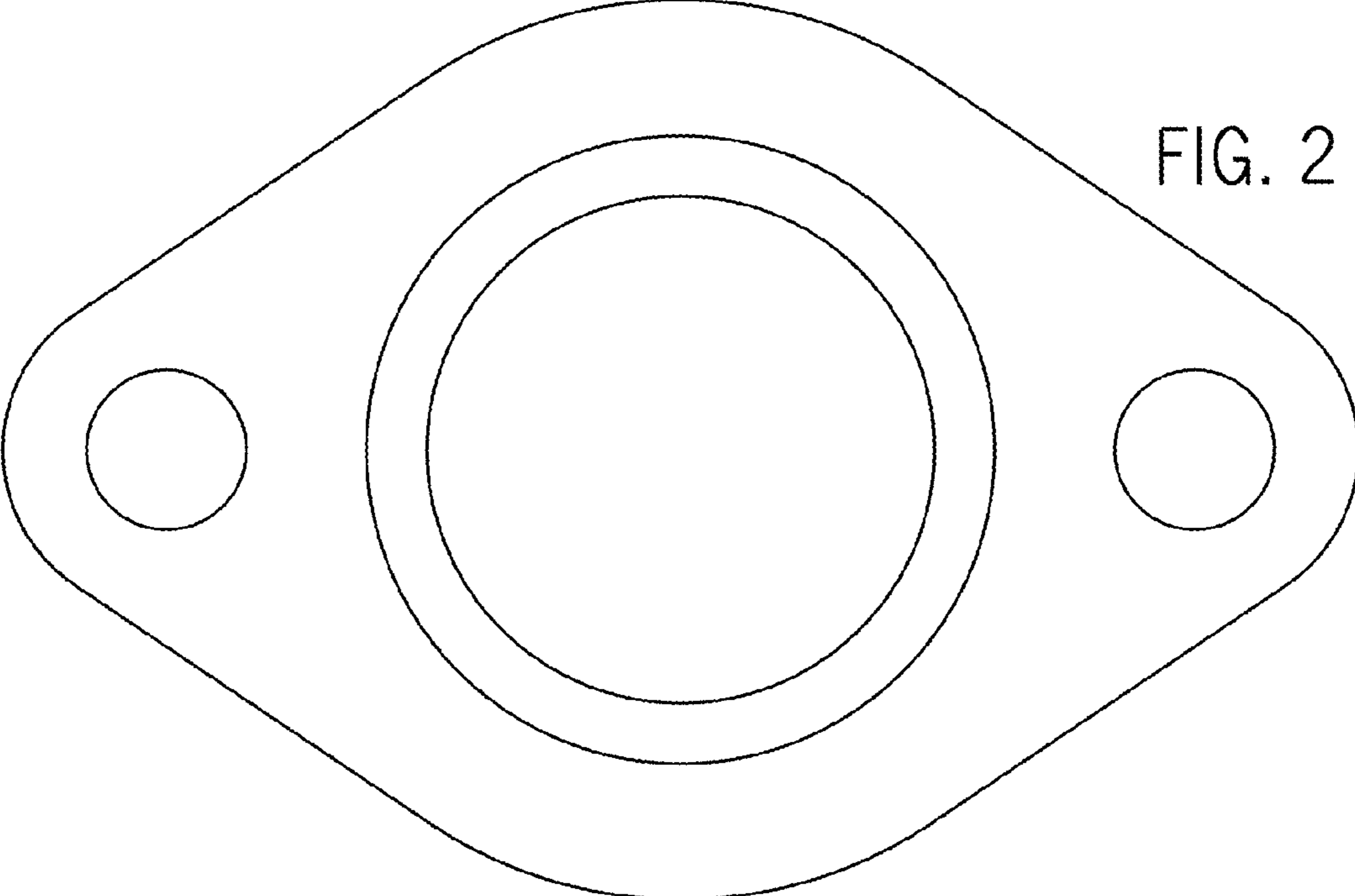


FIG. 2

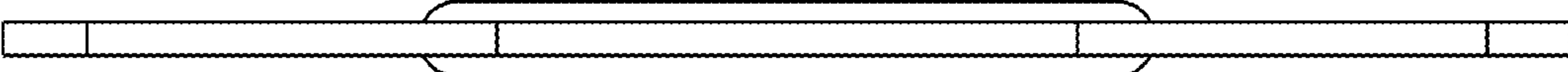


FIG. 3

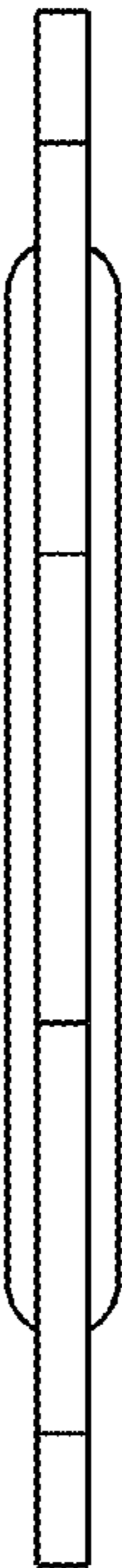


FIG. 4