



US00D749707S

(12) **United States Design Patent**  
**Kuang**

(10) **Patent No.:** **US D749,707 S**  
(45) **Date of Patent:** **\*\* Feb. 16, 2016**

(54) **FLOOR DRAIN**

(71) Applicant: **KAIPING XINMINGGUANG  
HARDWARE PRODUCTS CO., LTD.,**  
Jiangmen, Guangdong (CN)

(72) Inventor: **Woguang Kuang, Jiangmen (CN)**

(73) Assignee: **Kaiping Xinmingguang Hardware  
Products Co., Ltd., Jiangmen,**  
Guangdong (CN)

(\*\*) Term: **14 Years**

(21) Appl. No.: **29/454,198**

(22) Filed: **May 7, 2013**

(30) **Foreign Application Priority Data**

Feb. 7, 2013 (CN) ..... 2013 3 0039032

(51) **LOC (10) Cl.** ..... **23-01**

(52) **U.S. Cl.**  
USPC ..... **D23/263**

(58) **Field of Classification Search**  
USPC ..... D23/205, 209, 260, 261, 263, 266, 268;  
D24/129

CPC ..... F16L 41/08; F16L 41/12; F16L 45/00;  
F16L 57/00; F16L 57/06; E03F 5/04; E03F  
5/06; B65D 88/26; B65D 88/54

See application file for complete search history.

(56) **References Cited**

**U.S. PATENT DOCUMENTS**

1,813,687 A \* 7/1931 Stockholder ..... 210/180  
D163,487 S \* 5/1951 Schustack et al. .... D23/263  
D254,564 S \* 3/1980 Johnson ..... D23/263

D297,678 S \* 9/1988 Sisk ..... D34/28  
4,889,318 A \* 12/1989 Sisk ..... 251/356  
D323,709 S \* 2/1992 Wyatt et al. .... D24/129  
D358,202 S \* 5/1995 Sisk ..... D23/263  
D376,416 S \* 12/1996 Sisk ..... D23/263  
D623,302 S \* 9/2010 Barrett et al. .... D24/169  
D630,536 S \* 1/2011 Pettit ..... D10/96  
D644,305 S \* 8/2011 White ..... D23/266  
D654,999 S \* 2/2012 Barrett et al. .... D24/129  
D673,657 S \* 1/2013 Sisk ..... D23/262  
2002/0187013 A1 \* 12/2002 Campbell ..... 406/127  
2009/0211655 A1 \* 8/2009 Sisk ..... 137/614.06  
2009/0212555 A1 \* 8/2009 Sisk ..... 285/133.11  
2010/0176041 A1 \* 7/2010 Schlueter ..... 210/163  
2012/0192963 A1 \* 8/2012 Minich et al. .... 137/317  
2012/0193909 A1 \* 8/2012 Minich et al. .... 285/197  
2012/0266982 A1 \* 10/2012 Worth et al. .... 137/544  
2012/0273057 A1 \* 11/2012 Eriksson ..... 137/15.01

\* cited by examiner

*Primary Examiner* — Eric Goodman

*Assistant Examiner* — Daniel J Domino

(74) *Attorney, Agent, or Firm* — David W. Carstens; Jeffrey  
G. Degenfelder; Carstens & Cahoon, LLP

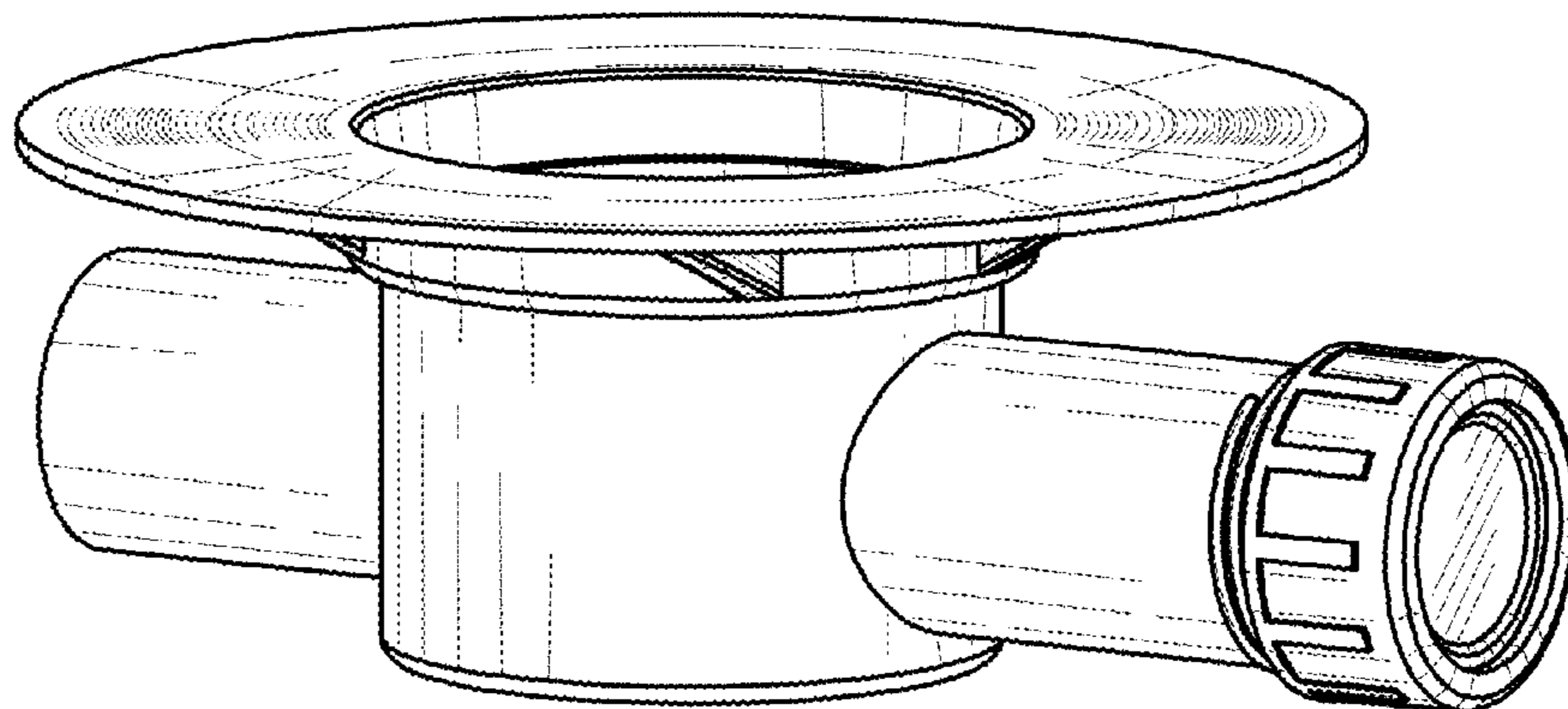
(57) **CLAIM**

The ornamental design for a floor drain, as shown and  
described.

**DESCRIPTION**

FIG. 1 is a perspective view of a floor drain;  
FIG. 2 is a top perspective view thereof;  
FIG. 3 is a front view thereof;  
FIG. 4 is a rear view thereof;  
FIG. 5 is a left view thereof;  
FIG. 6 is a right view thereof;  
FIG. 7 is a top view thereof; and,  
FIG. 8 is a bottom view thereof.

**1 Claim, 8 Drawing Sheets**



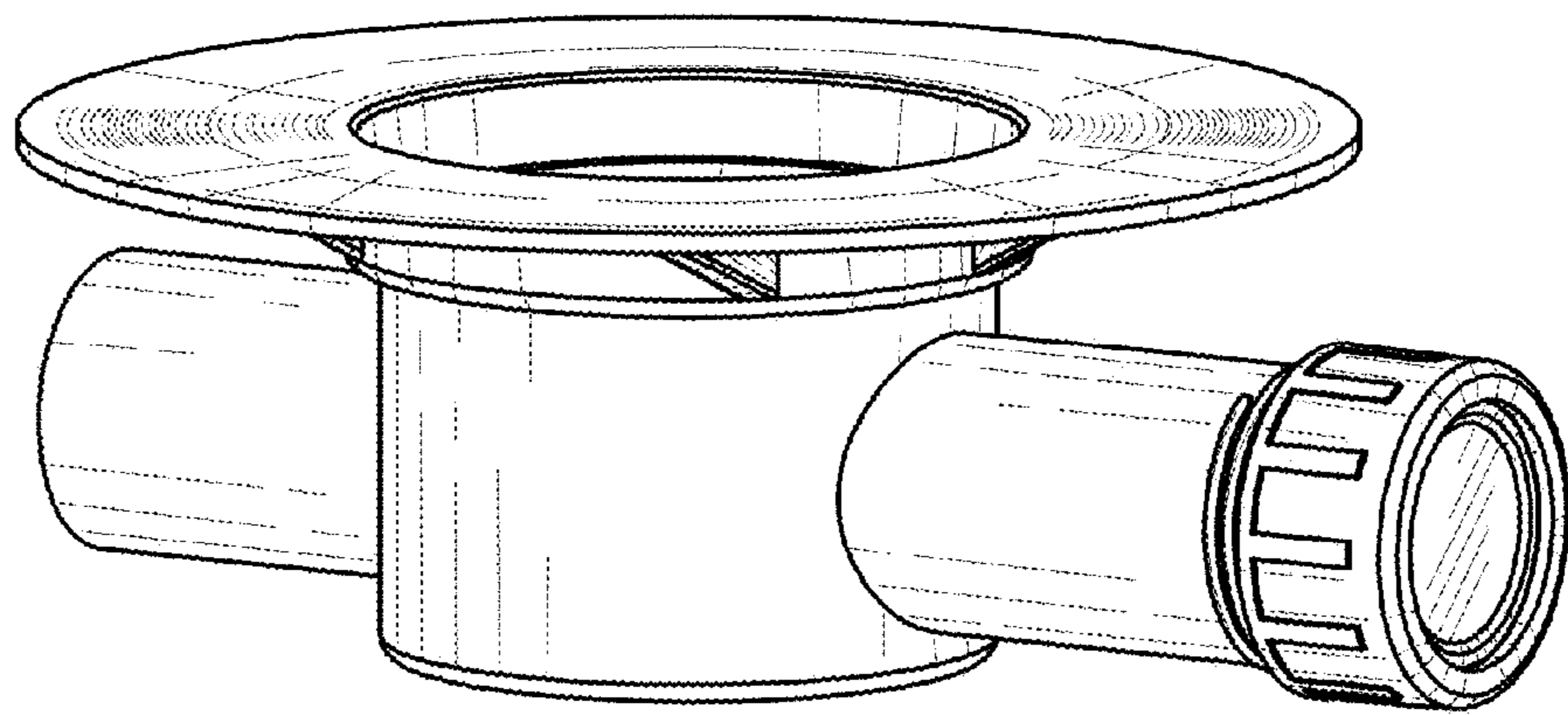


Fig. 1

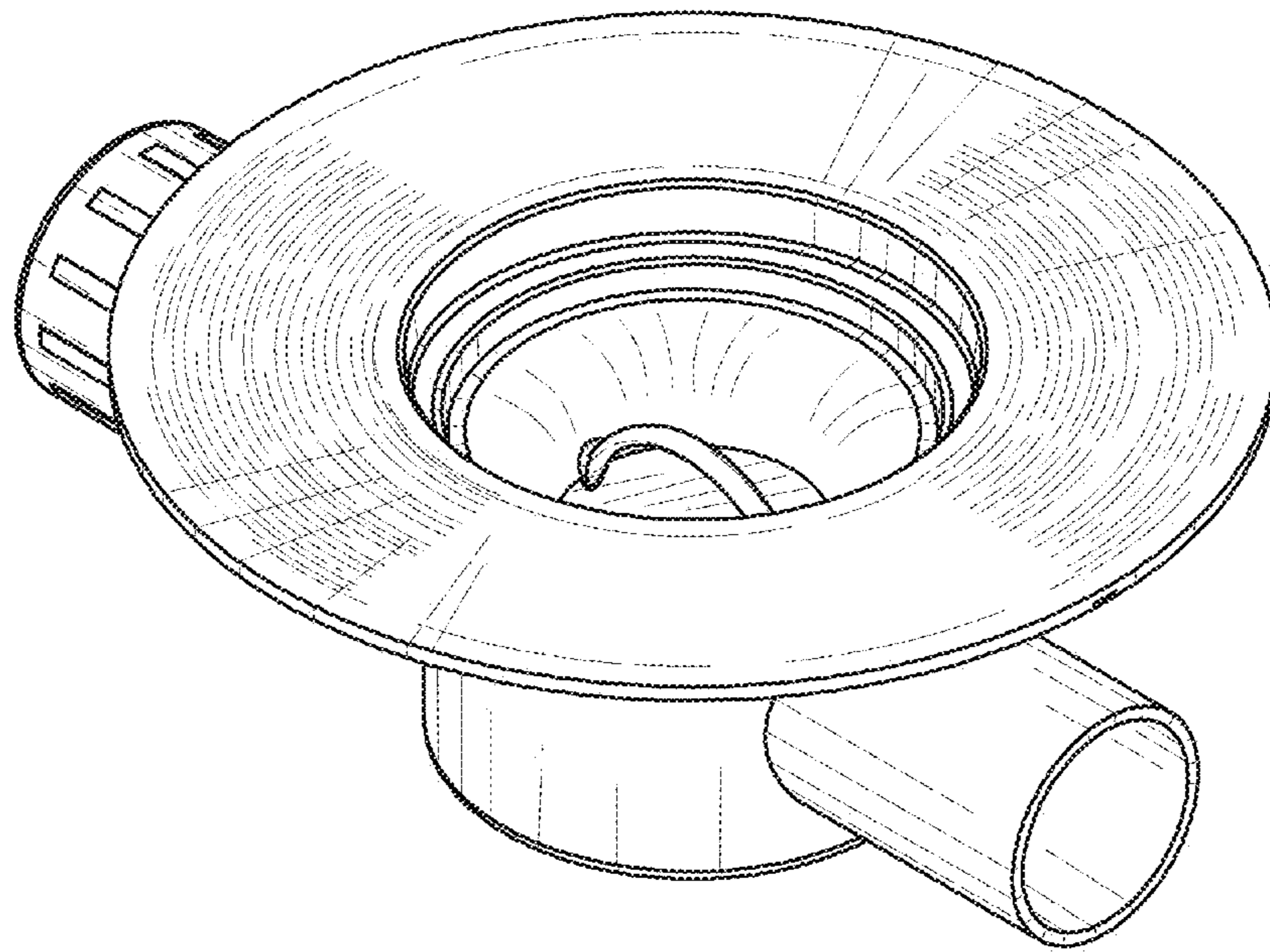


Fig.2

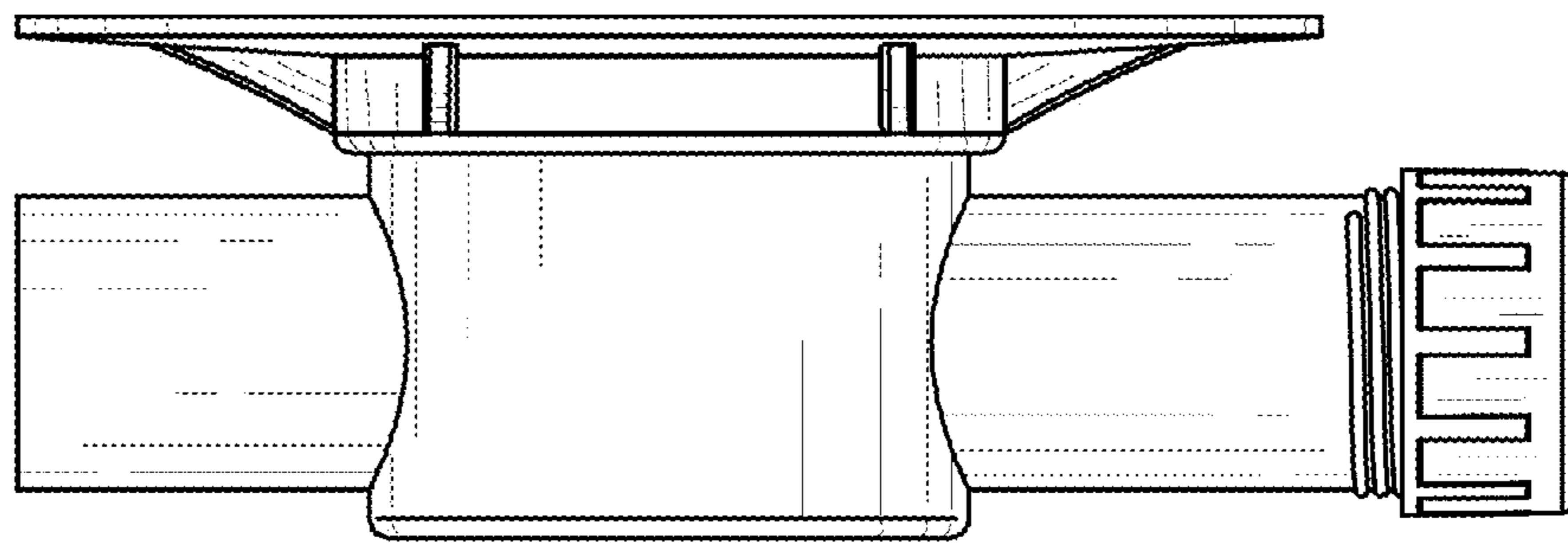


Fig.3

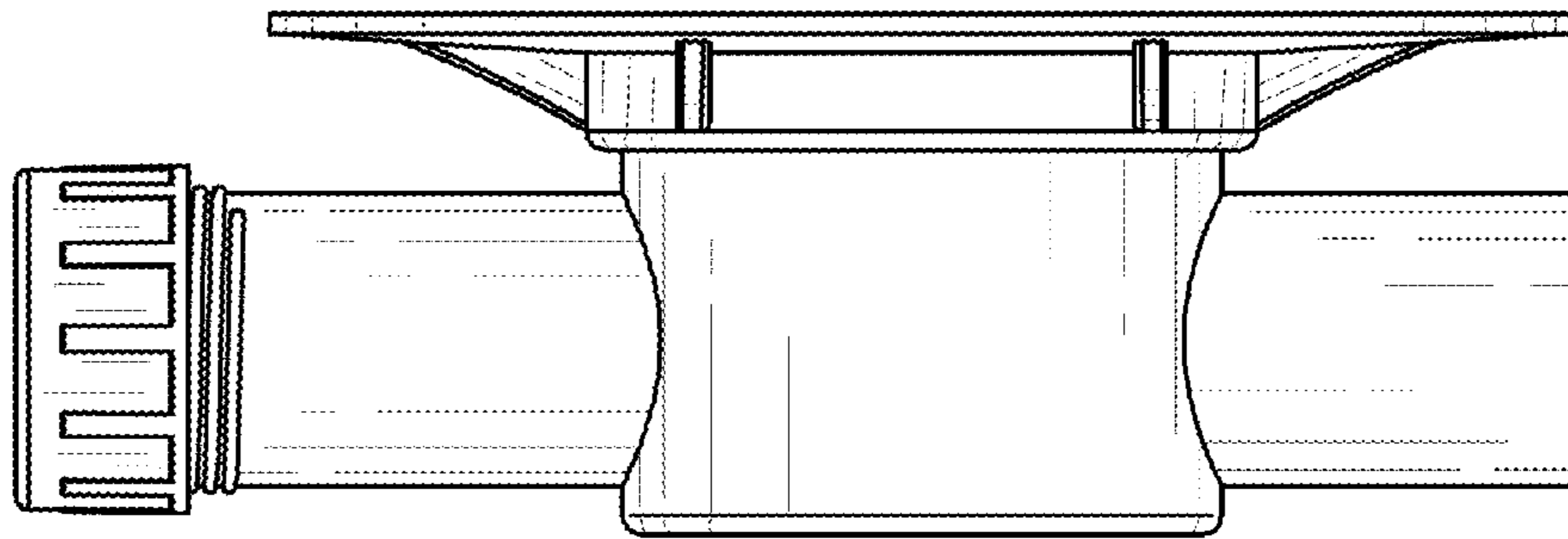


Fig.4

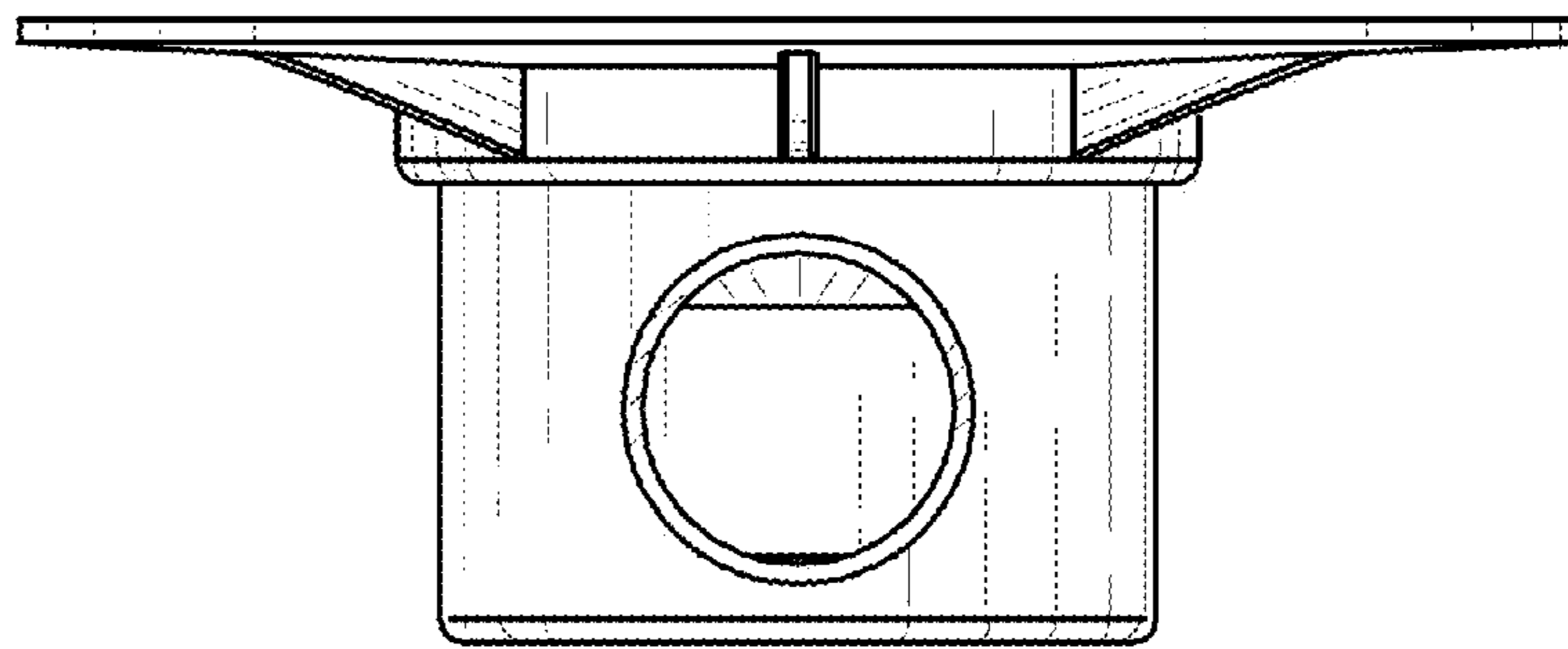


Fig.5

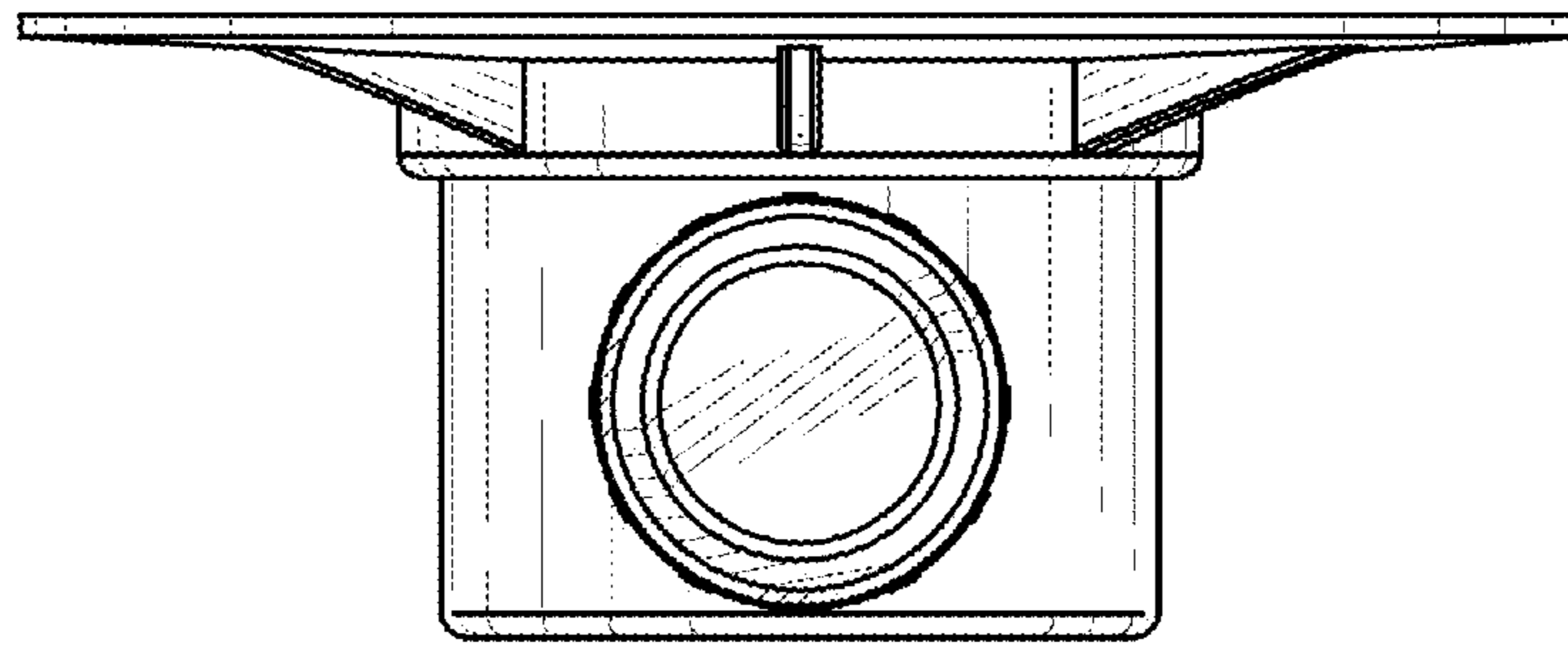


Fig.6

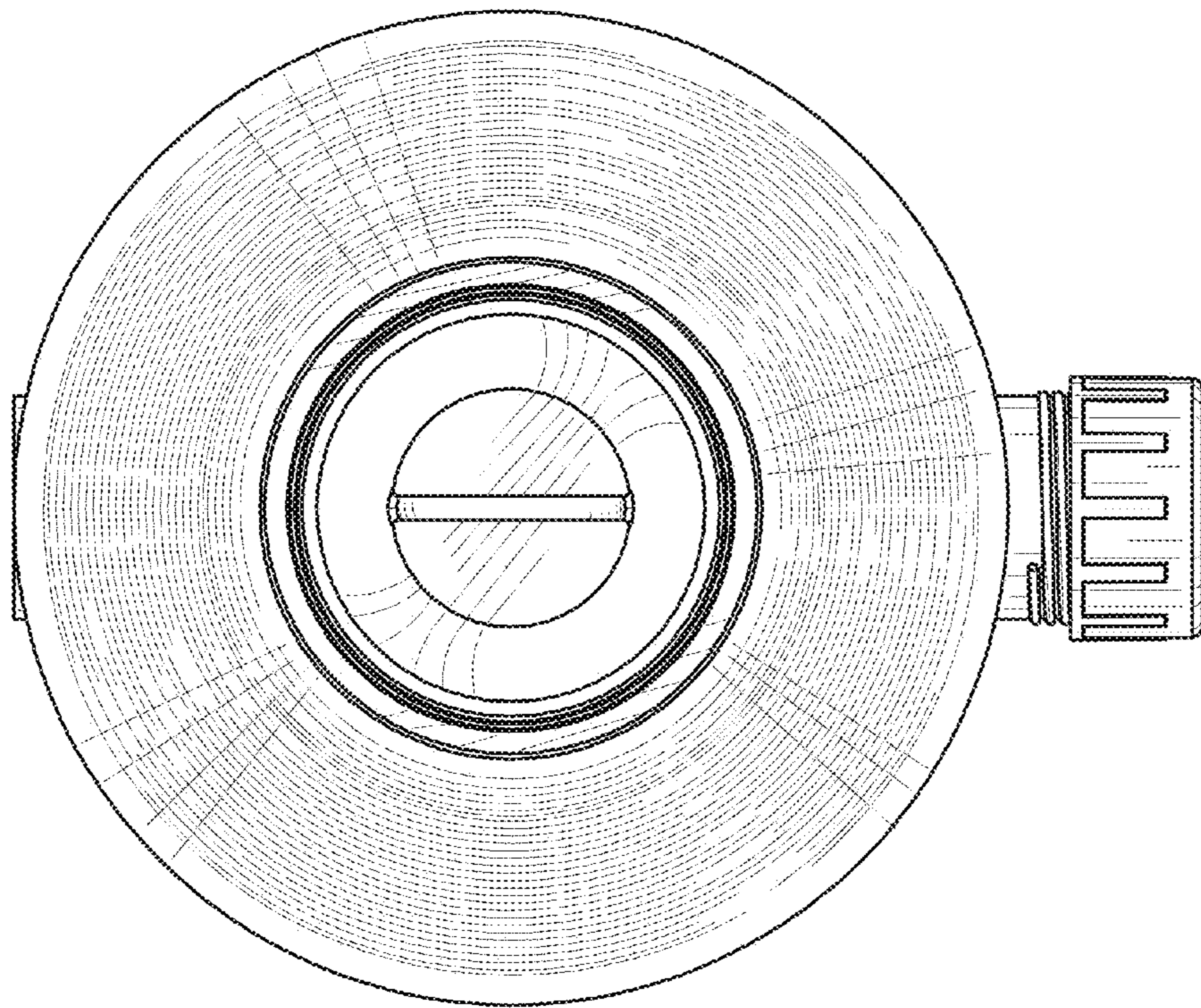


Fig. 7



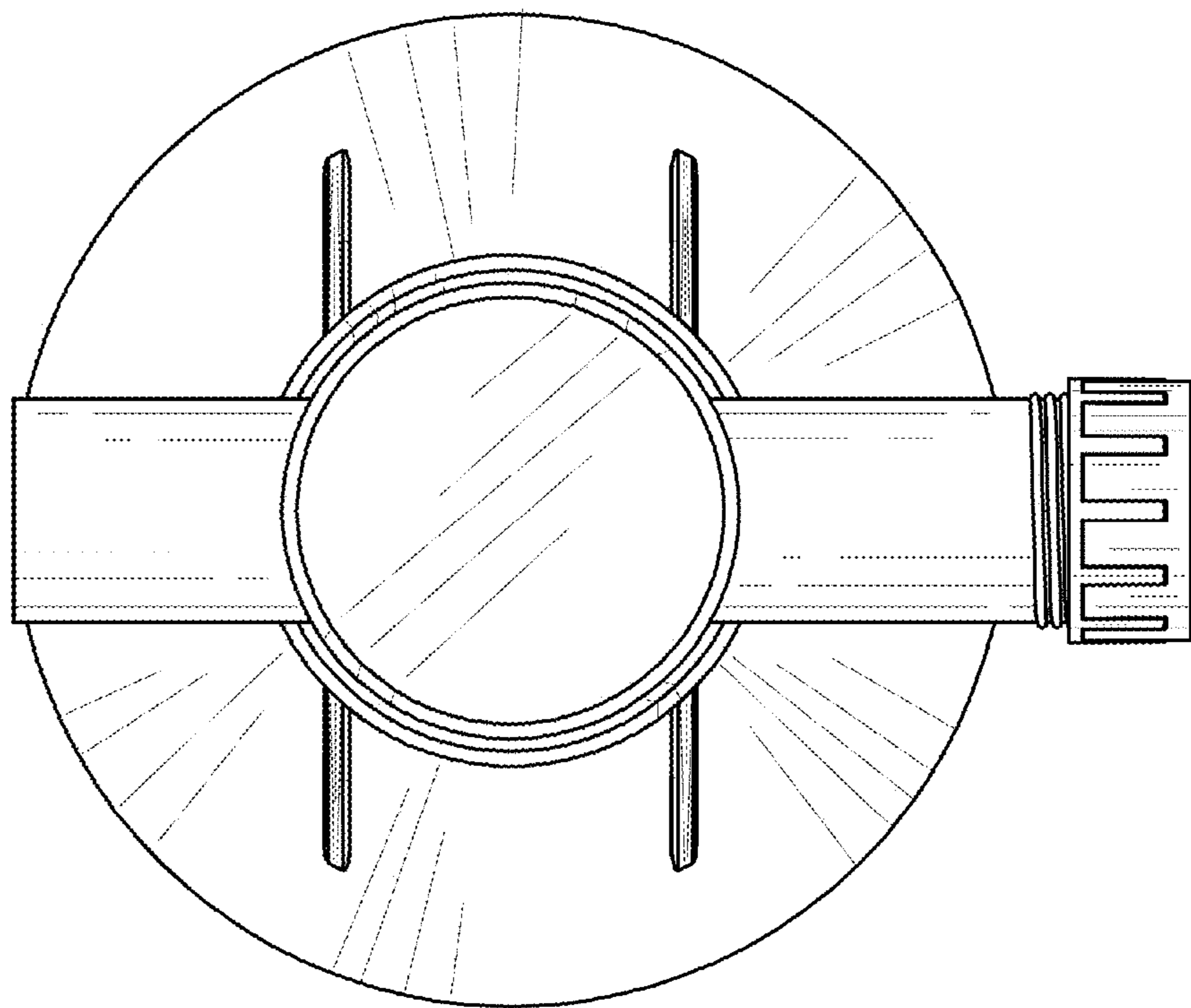


Fig.8