



US00D749706S

(12) **United States Design Patent**
Johansen

(10) **Patent No.:** **US D749,706 S**
(45) **Date of Patent:** **** Feb. 16, 2016**

(54) **FILTER BASKET FOR FLOOR DRAINS**

(71) Applicant: **BLUCHER METAL A/S, Vildbjerg**
(DK)

(72) Inventor: **Per Thanning Johansen, Silkeborg**
(DK)

(73) Assignee: **Blucher Metal A/S, Vildbjerg** (DK)

(**) Term: **14 Years**

(21) Appl. No.: **29/502,076**

(22) Filed: **Sep. 11, 2014**

(30) **Foreign Application Priority Data**

Mar. 13, 2014 (EM) 002424382

(51) **LOC (10) Cl.** **23-01**

(52) **U.S. Cl.**
USPC **D23/260**

(58) **Field of Classification Search**

USPC D23/259–263, 266–269, 233; 251/215,
251/216; 285/369, 372, 373, 417, 133.11,
285/133.3, 133.21, 133.4, 133.5, 133.6;
137/347, 347.41, 347.51
CPC F16L 11/00; F16L 37/252; F16L 41/007;
E03C 1/26; E03C 1/262; E03C 1/28; E03F
5/04; A61B 5/00; A61M 25/09016
See application file for complete search history.

(56) **References Cited**

U.S. PATENT DOCUMENTS

2,285,833 A * 6/1942 Platt E03C 1/264
210/238
D249,955 S * 10/1978 Vogelsang D23/261
4,134,162 A * 1/1979 Sharland E03C 1/264
4/292

D255,480 S * 6/1980 Zieg 210/483
D354,795 S * 1/1995 Heligman D23/209
D449,873 S * 10/2001 Bronson D23/261
D450,106 S * 11/2001 Herr D23/261
D462,422 S * 9/2002 Conner D23/261
D567,020 S * 4/2008 Bodum D7/387
7,531,092 B2 * 5/2009 Hazlehurst B01D 35/26
210/232
D599,444 S * 9/2009 Jones D23/261
D651,694 S * 1/2012 Clark D23/261
D694,851 S * 12/2013 Solakian D23/209
D702,327 S * 4/2014 Dannrup D23/261
D723,672 S * 3/2015 Larkin D23/268

* cited by examiner

Primary Examiner — Sandra Snapp

(74) *Attorney, Agent, or Firm* — Sheridan Ross P.C.

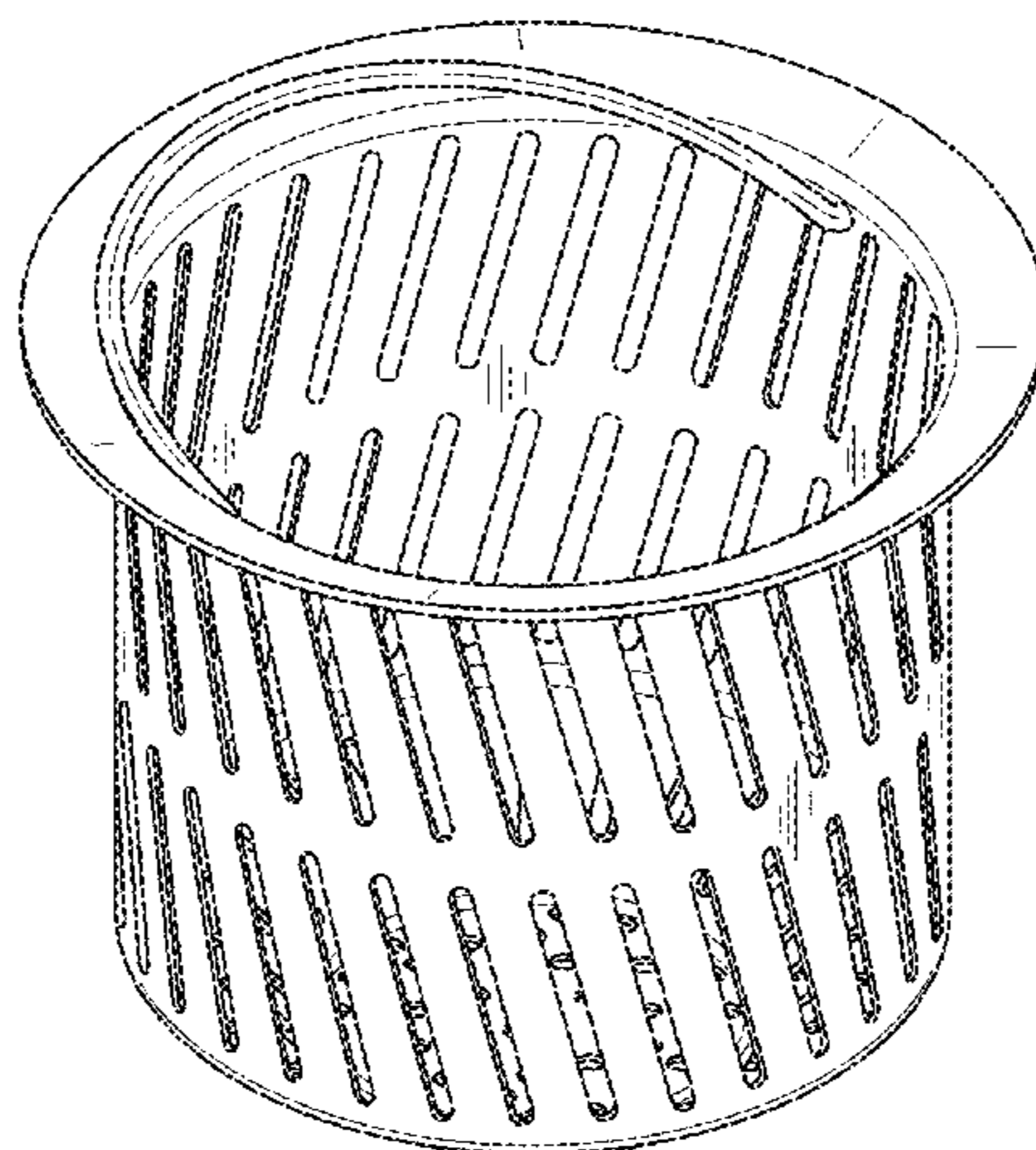
(57) **CLAIM**

The ornamental design for a filter basket for floor drains, as shown and described.

DESCRIPTION

FIG. 1 is a perspective view of the filter basket for floor drains in a first embodiment
FIG. 2 is a top plan view of the embodiment of FIG. 1;
FIG. 3 is a bottom plan view of the embodiment of FIG. 1;
FIG. 4 is a front elevation view of the embodiment of FIG. 1, a rear elevation view being the same;
FIG. 5 is a left side view of the embodiment of FIG. 1, a right side view being the same;
FIG. 6 is a perspective view of the filter basket for floor drains in a second embodiment;
FIG. 7 is a top plan view of the embodiment of FIG. 6;
FIG. 8 is a bottom plan view of the embodiment of FIG. 6;
FIG. 9 is a front elevation view of the embodiment of FIG. 6, a rear elevation view being the same; and,
FIG. 10 is a left side view of the embodiment of FIG. 6, a right side view being the same.

1 Claim, 6 Drawing Sheets



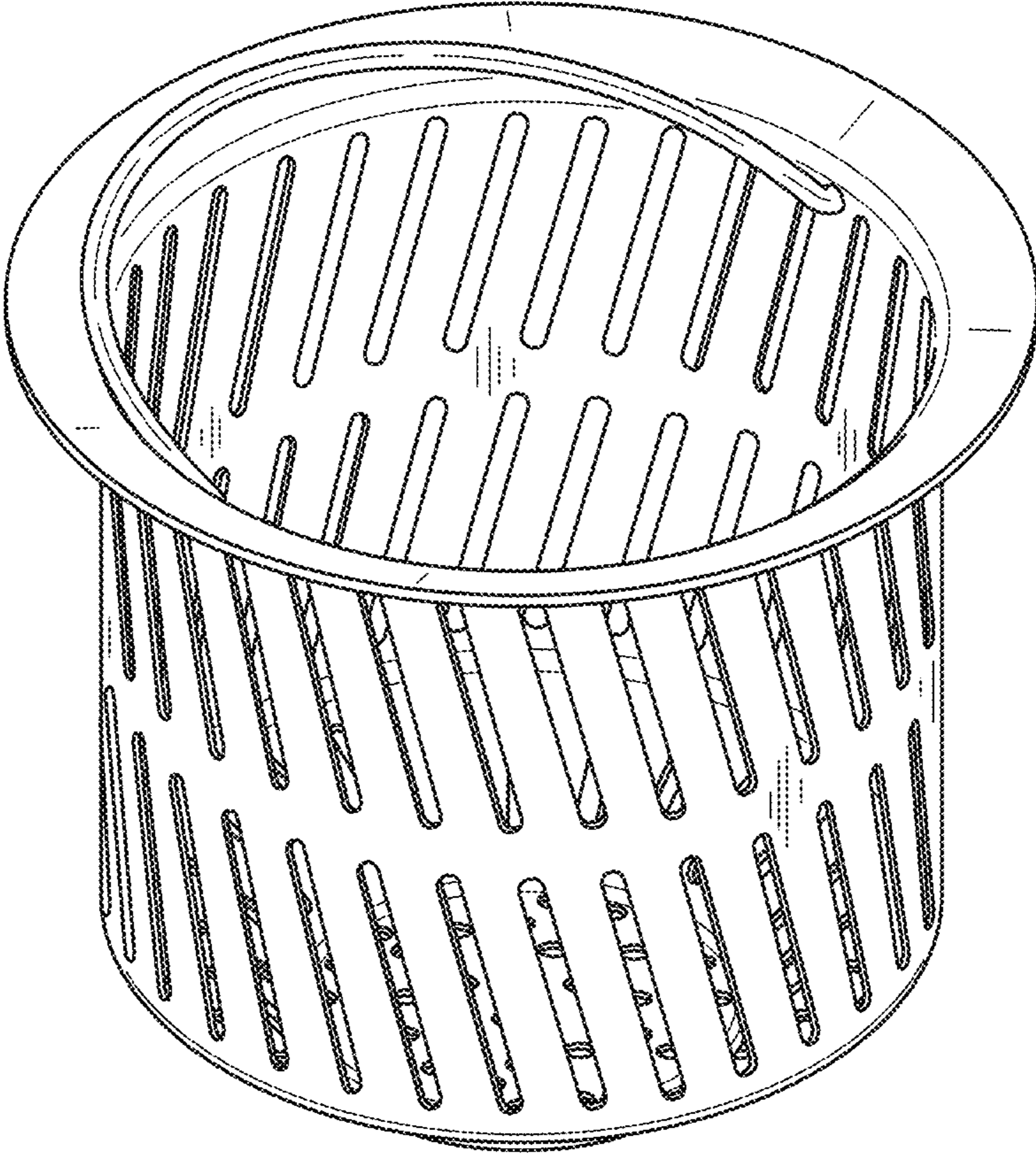


FIG.1

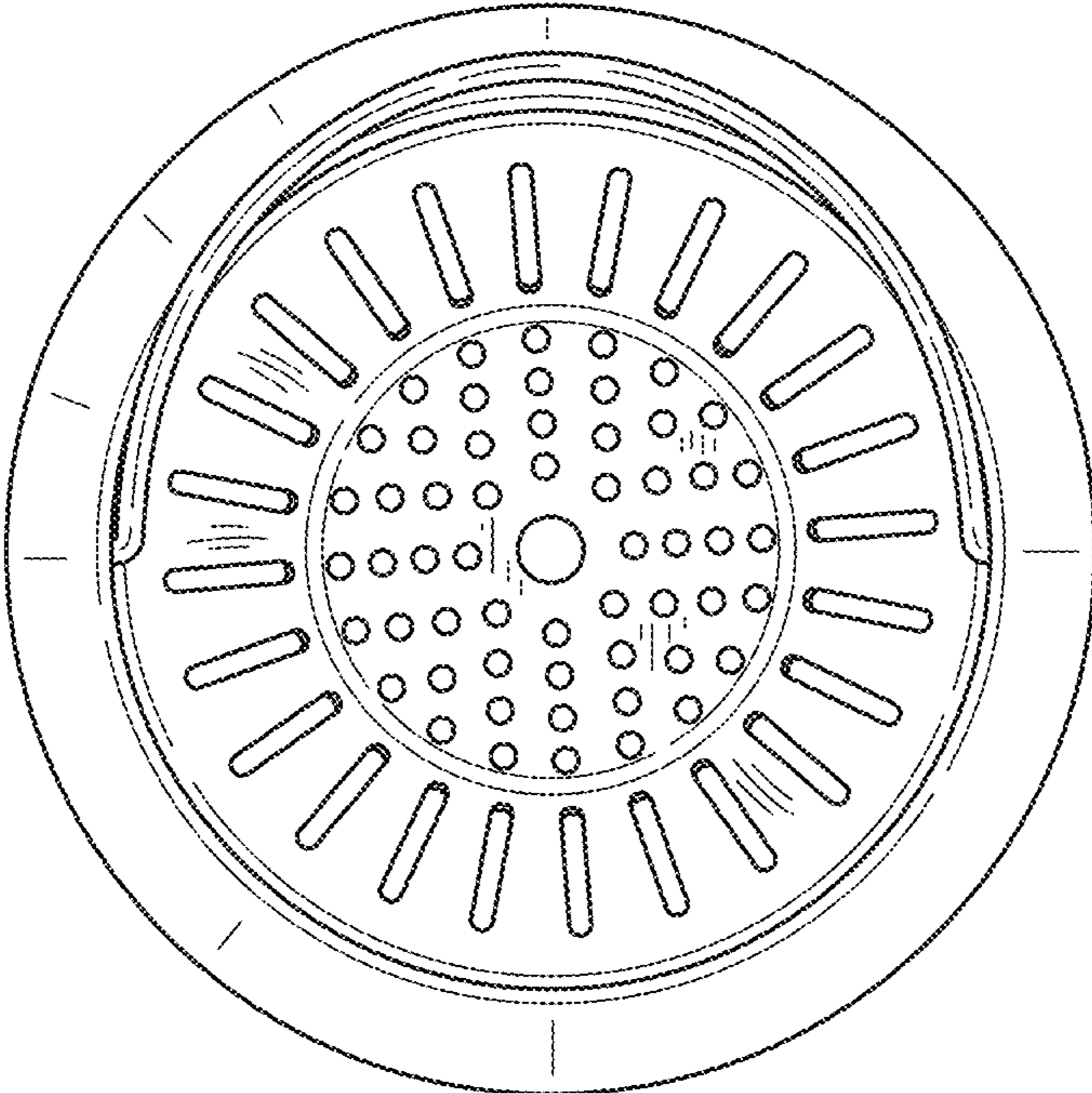


FIG. 2

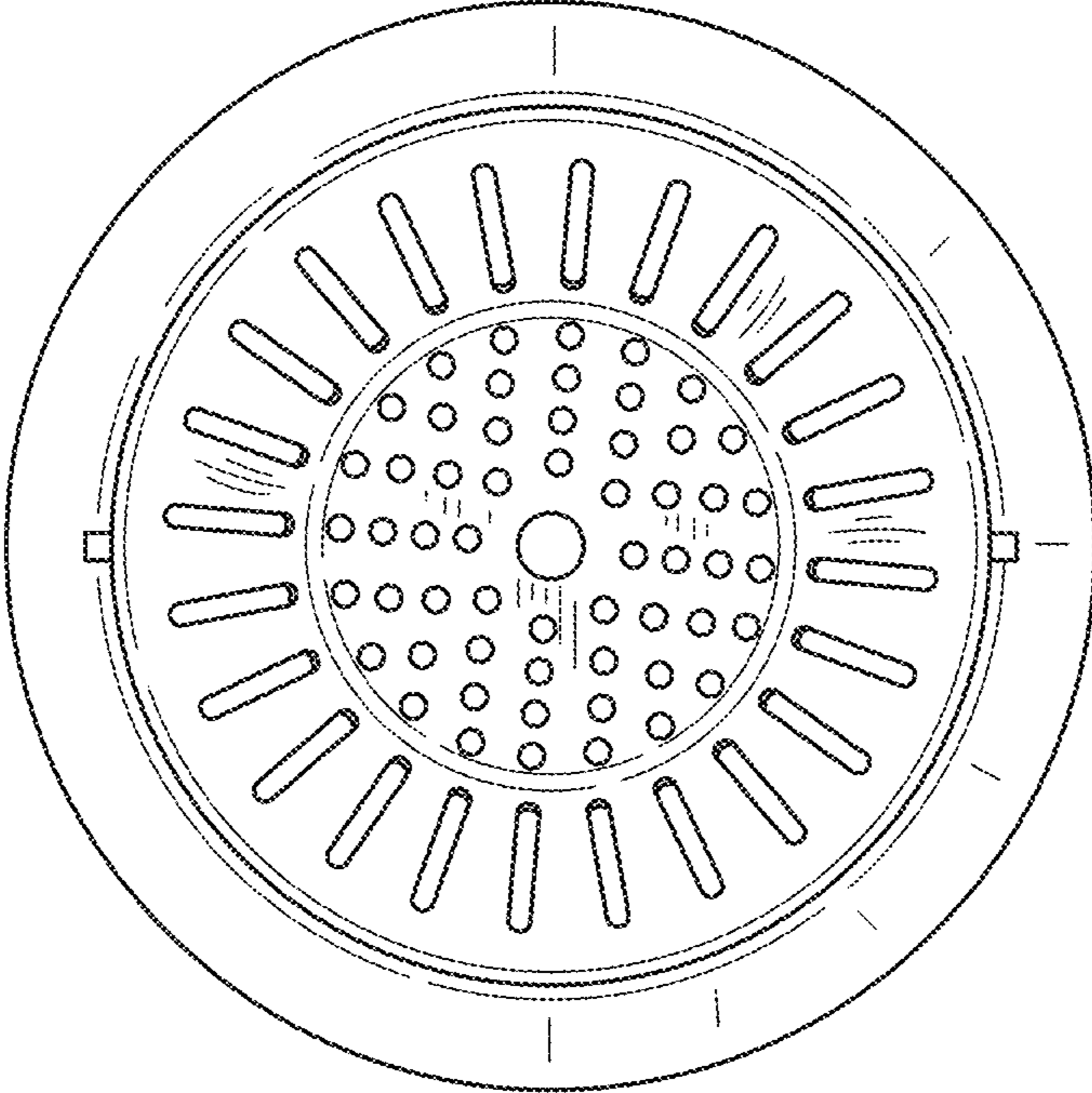


FIG. 3

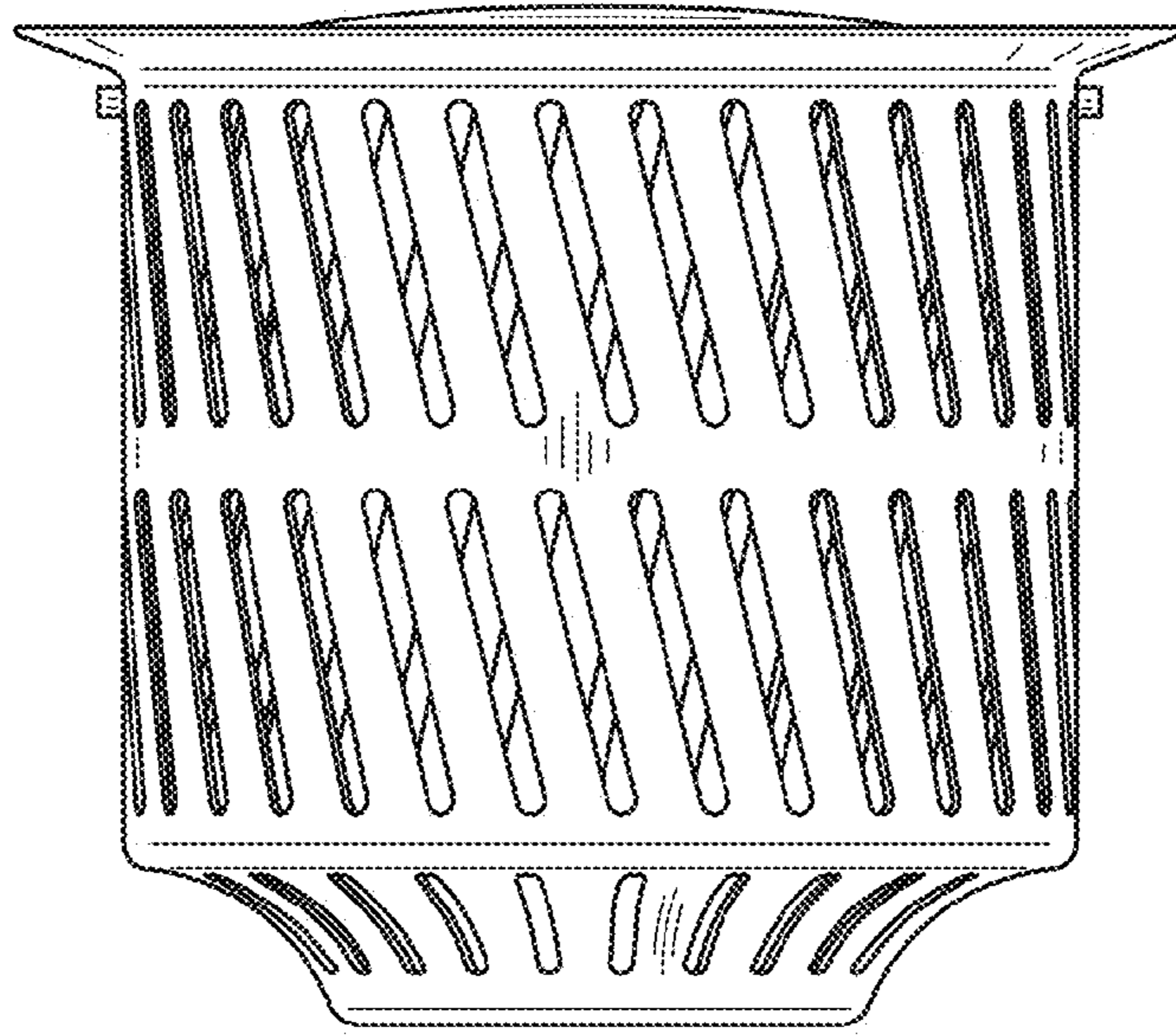


FIG. 4

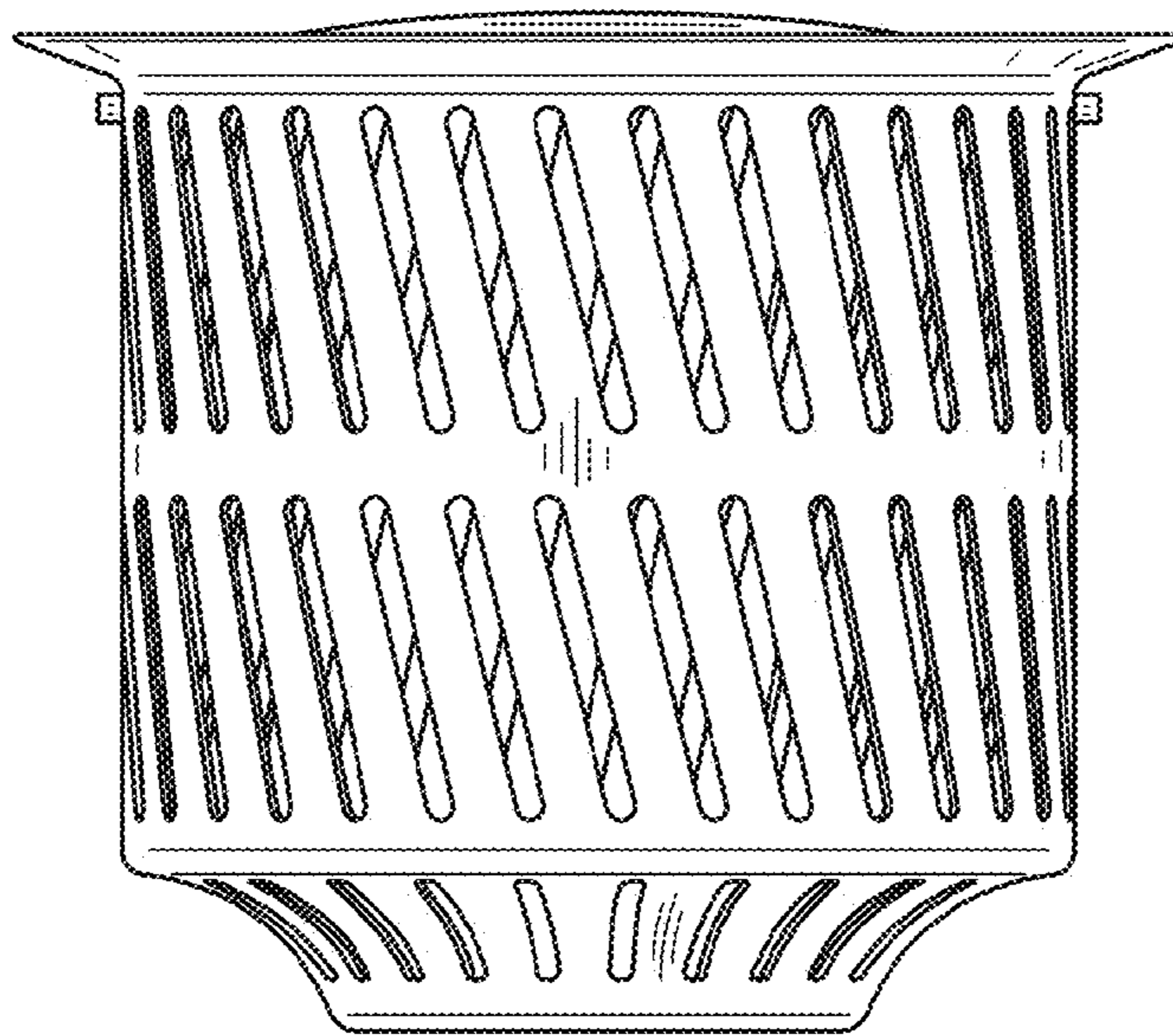


FIG. 5

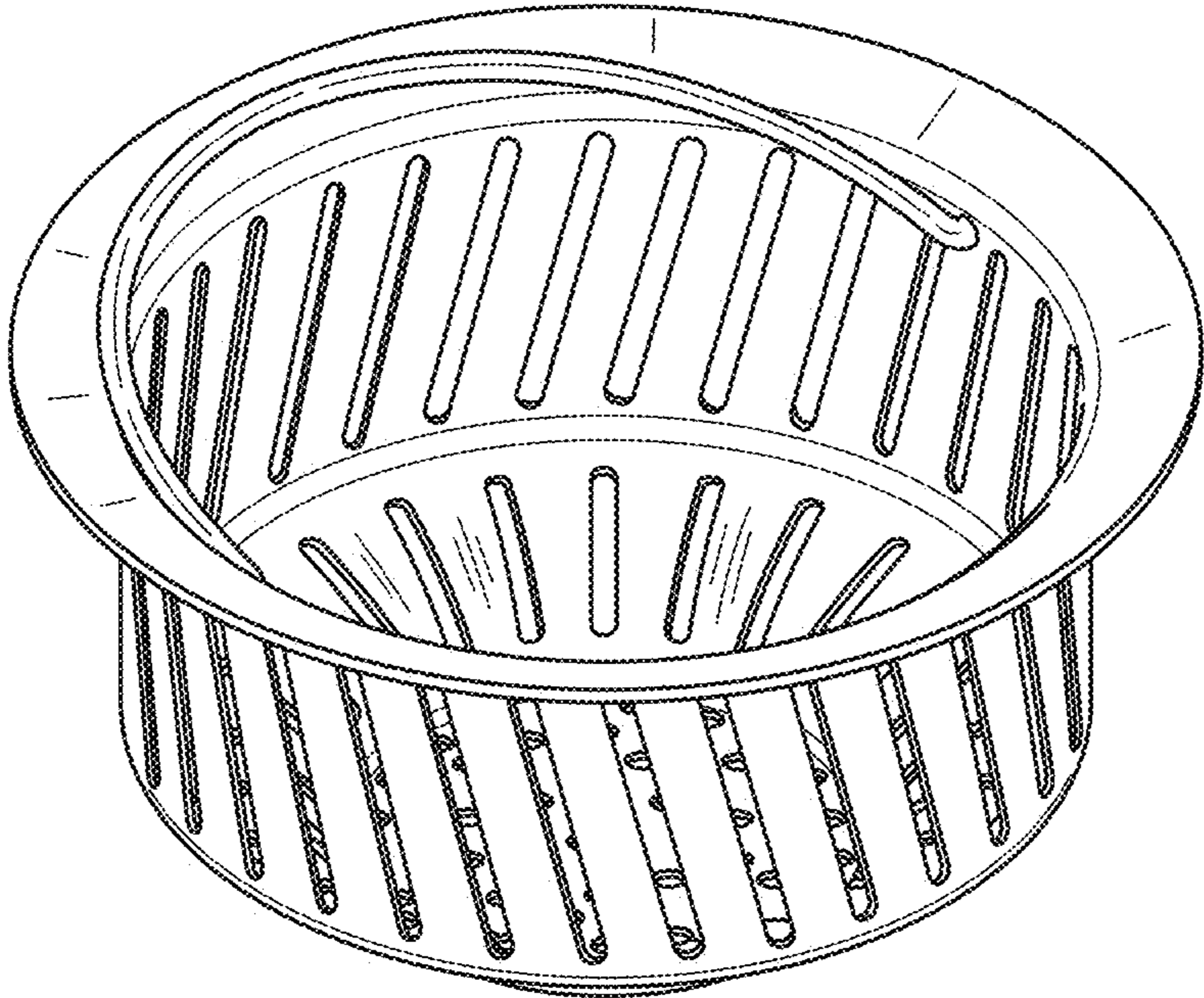


FIG.6

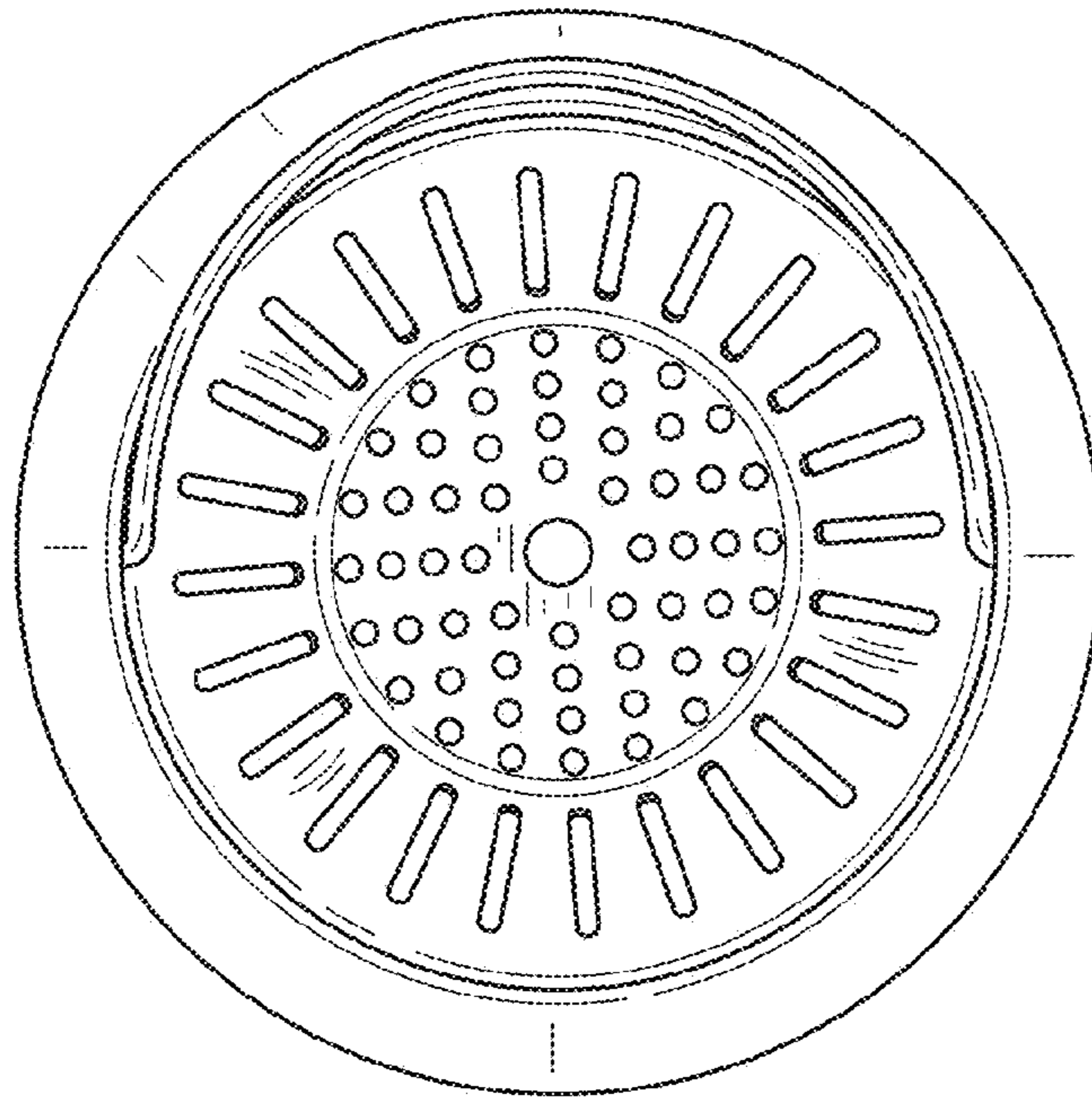


FIG. 7

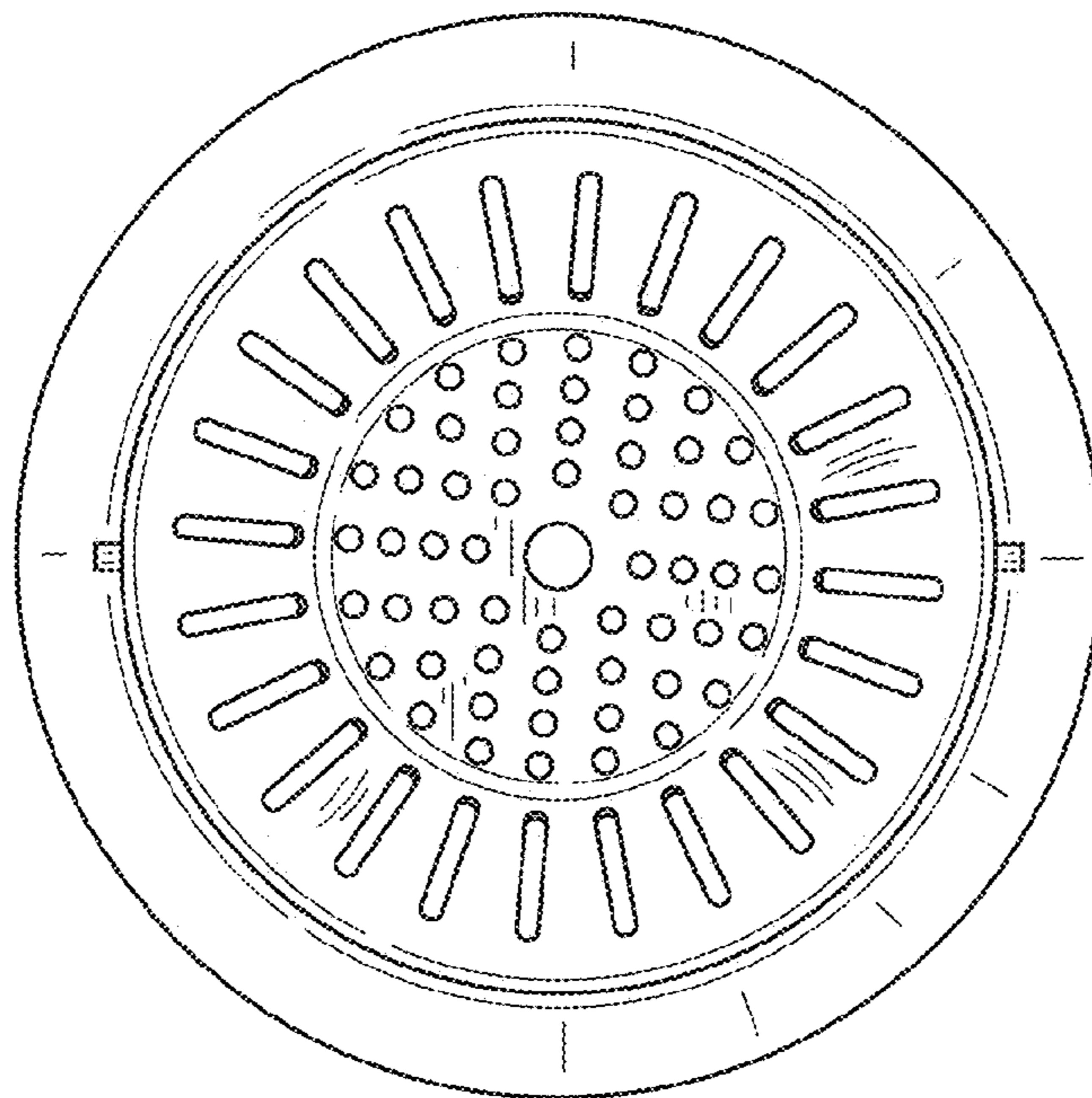


FIG. 8

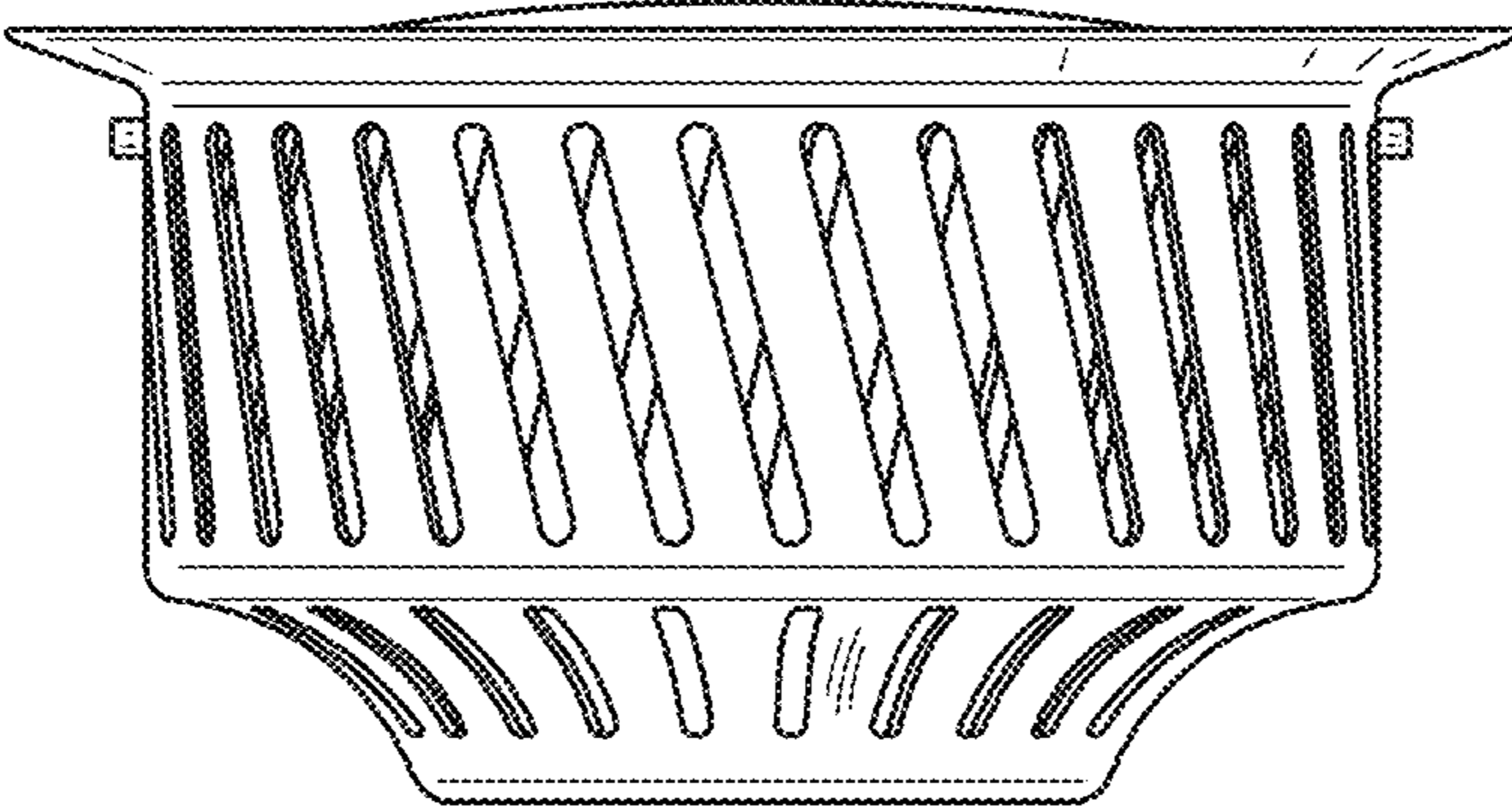


FIG. 9

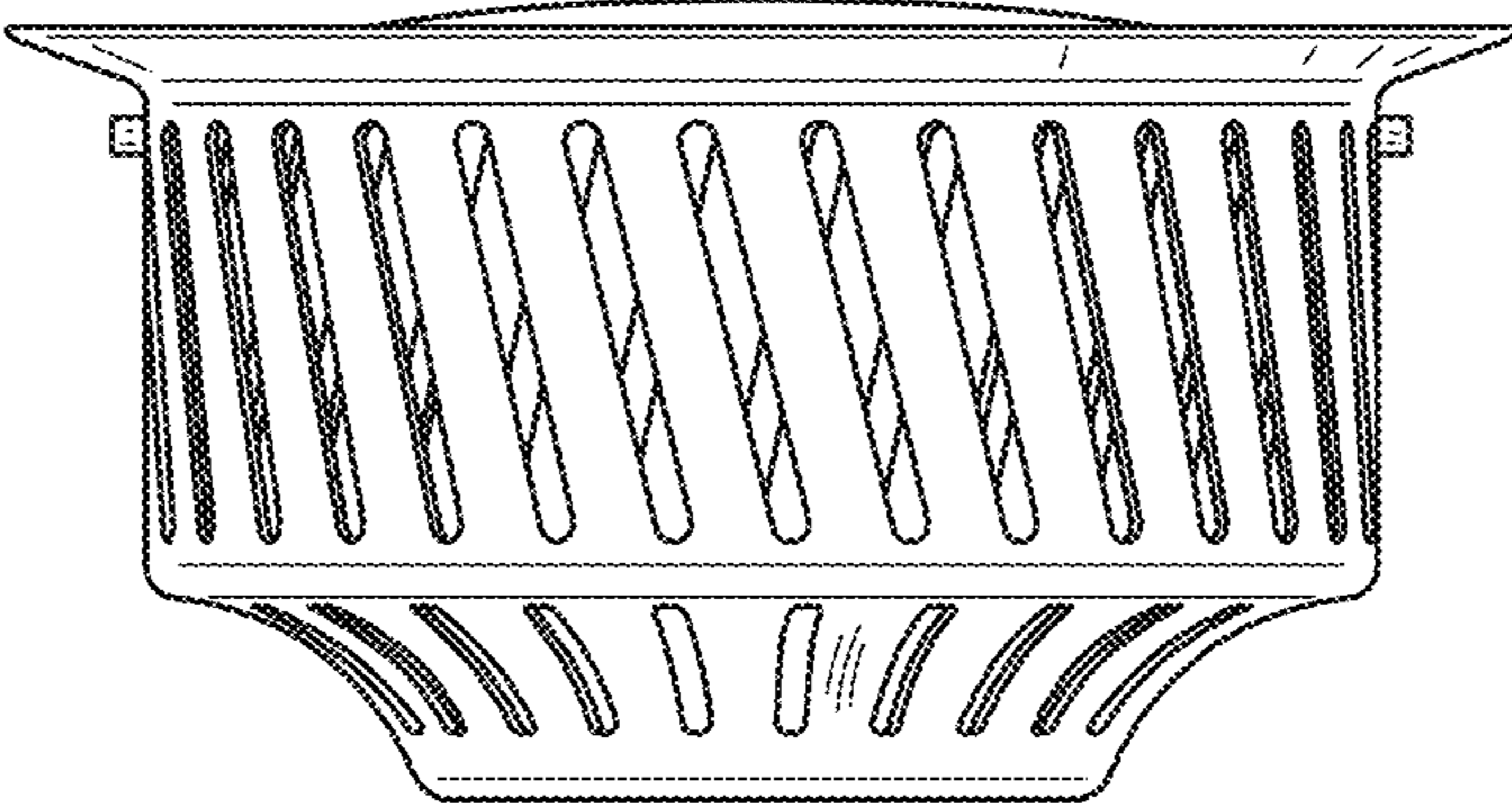


FIG. 10