



US00D749705S

(12) **United States Design Patent**  
**Krombein**

(10) **Patent No.:** **US D749,705 S**

(45) **Date of Patent:** **\*\* Feb. 16, 2016**

(54) **POOL RETURN FITTING HOUSING**

(71) Applicant: **Todd Krombein**, Phoenix, AZ (US)

(72) Inventor: **Todd Krombein**, Phoenix, AZ (US)

(\*\*) Term: **14 Years**

(21) Appl. No.: **29/513,126**

(22) Filed: **Dec. 26, 2014**

(51) **LOC (10) Cl.** ..... **23-01**

(52) **U.S. Cl.**  
USPC ..... **D23/259**

(58) **Field of Classification Search**  
USPC ..... D23/259–263, 266–269, 233; 251/215,  
251/216; 285/369, 372, 373, 417, 133.11,  
285/133.3, 133.21, 133.4, 133.5, 133.6;  
137/247, 247.41, 247.51  
CPC ..... F16L 11/00; F16L 37/252; F16L 41/007;  
E03C 1/26; E03C 1/262; E03C 1/28; E03F  
5/04; A61B 5/00; A61M 25/09016  
See application file for complete search history.

4,146,939	A *	4/1979	Izzi	.....	E03F 5/0409	4/288
4,544,188	A *	10/1985	Dugger	.....	F16L 23/032	4/286
						285/337
4,910,811	A *	3/1990	Izzi, Sr.	.....	E03F 5/0407	210/163
D336,510	S *	6/1993	Sawtelle	.....	D23/262	
D371,138	S *	6/1996	Waskiewicz	.....	384/428	
D614,267	S *	4/2010	Breda	.....	D23/261	
D614,268	S *	4/2010	Breda	.....	D23/261	
D737,406	S *	8/2015	Waggoner	.....	D23/233	
2007/0216162	A1 *	9/2007	Ennin	.....	F16L 23/0286	285/406
2008/0277324	A1 *	11/2008	Meyers	.....	E03F 5/0408	210/164

\* cited by examiner

*Primary Examiner* — Sandra Snapp

(74) *Attorney, Agent, or Firm* — Knobbe, Martens, Olson & Bear, LLP

(57) **CLAIM**

The ornamental design for the pool return fitting housing, as shown and described.

**DESCRIPTION**

FIG. 1 is a perspective view of the pool return fitting housing. FIG. 2 is a top plan view of the pool return fitting housing in FIG. 1.

FIG. 3 is a bottom plan view of the pool return fitting housing in FIG. 1; and,

FIG. 4 is a left side view of the pool return fitting housing in FIG. 1. The right side view is a mirror image of the left side view.

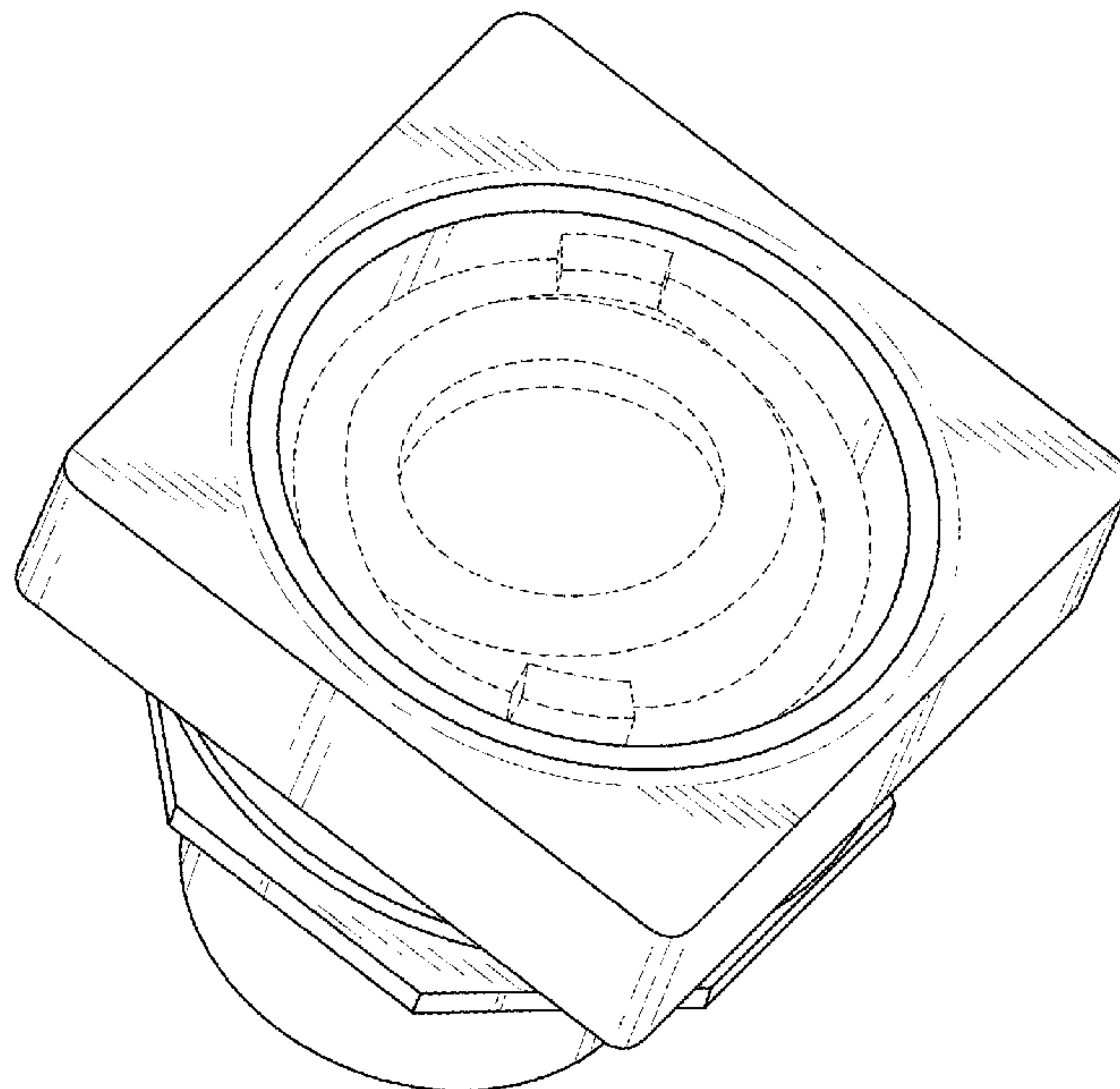
The broken lines are for illustrative purposes only and form no part of the claimed design.

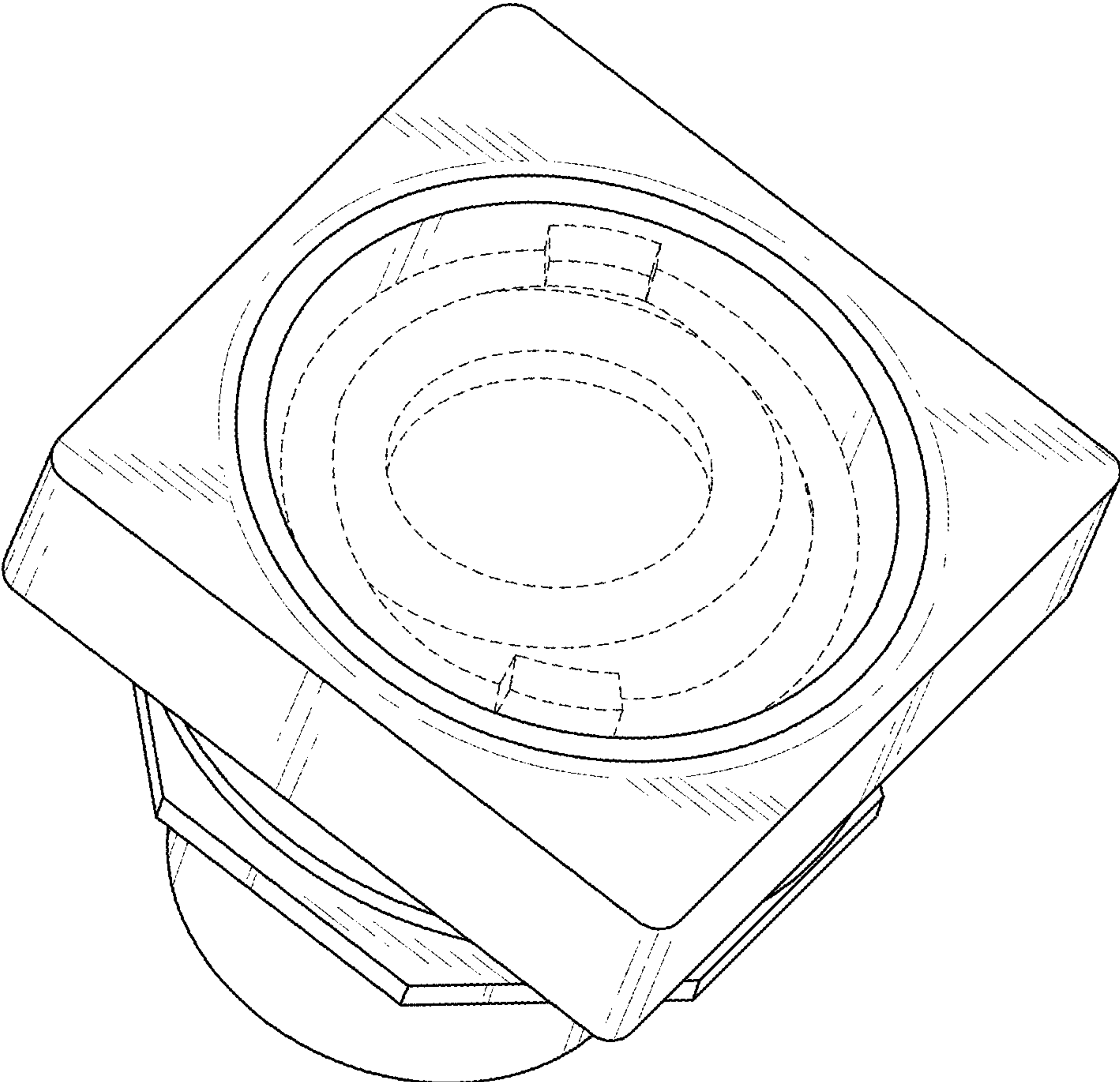
**1 Claim, 2 Drawing Sheets**

(56) **References Cited**

U.S. PATENT DOCUMENTS

2,695,677	A *	11/1954	Sisk	.....	E03F 5/0407	210/165
2,777,532	A *	1/1957	Sisk	.....	B63B 13/00	210/165
2,783,852	A *	3/1957	Sisk	.....	E03F 5/0408	210/165
3,040,895	A *	6/1962	Sisk	.....	E03F 5/0407	210/164
3,197,242	A *	7/1965	Milette	.....	F16L 37/10	277/623
3,742,525	A *	7/1973	Oropallo	.....	E03C 1/22	





*FIG. 1*

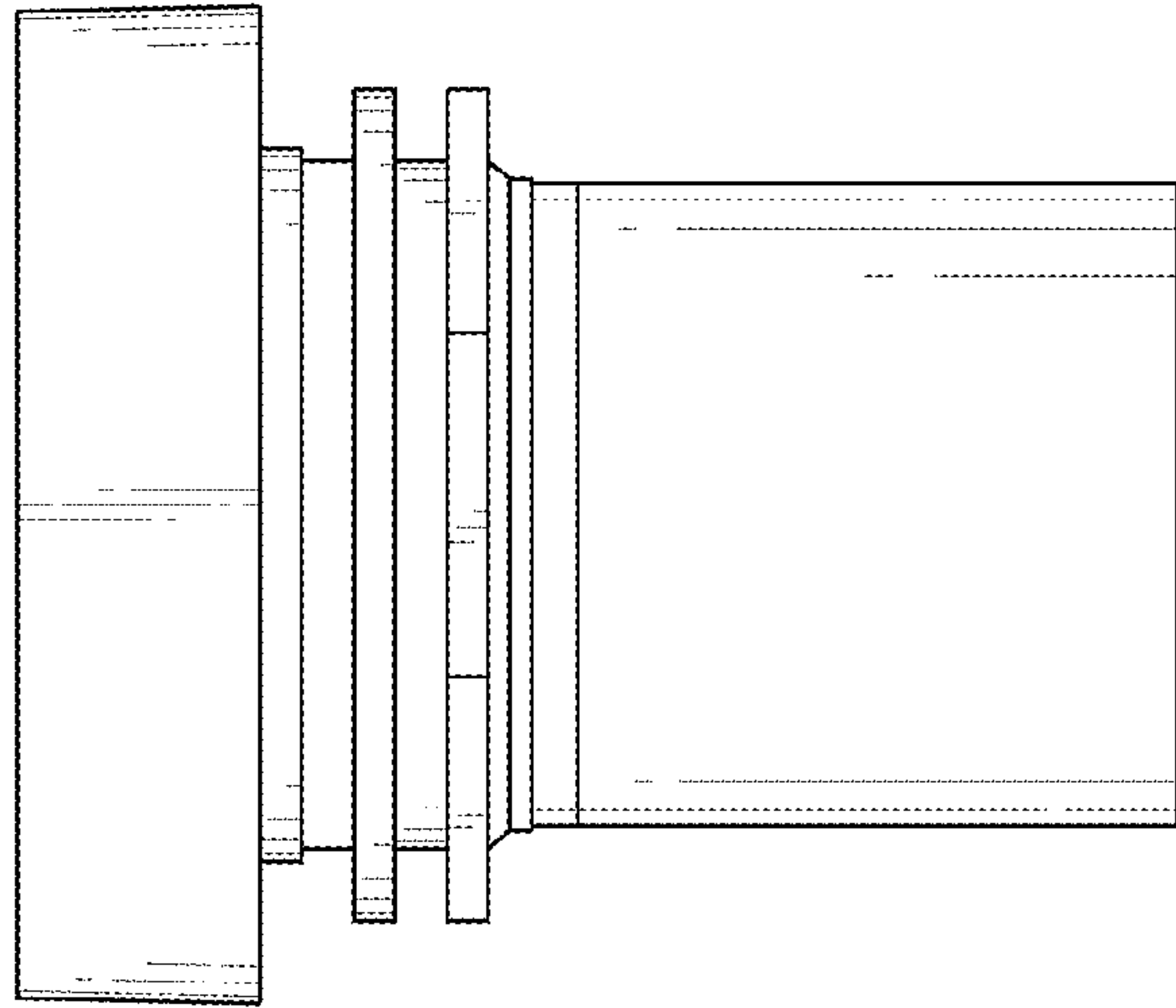


FIG. 4

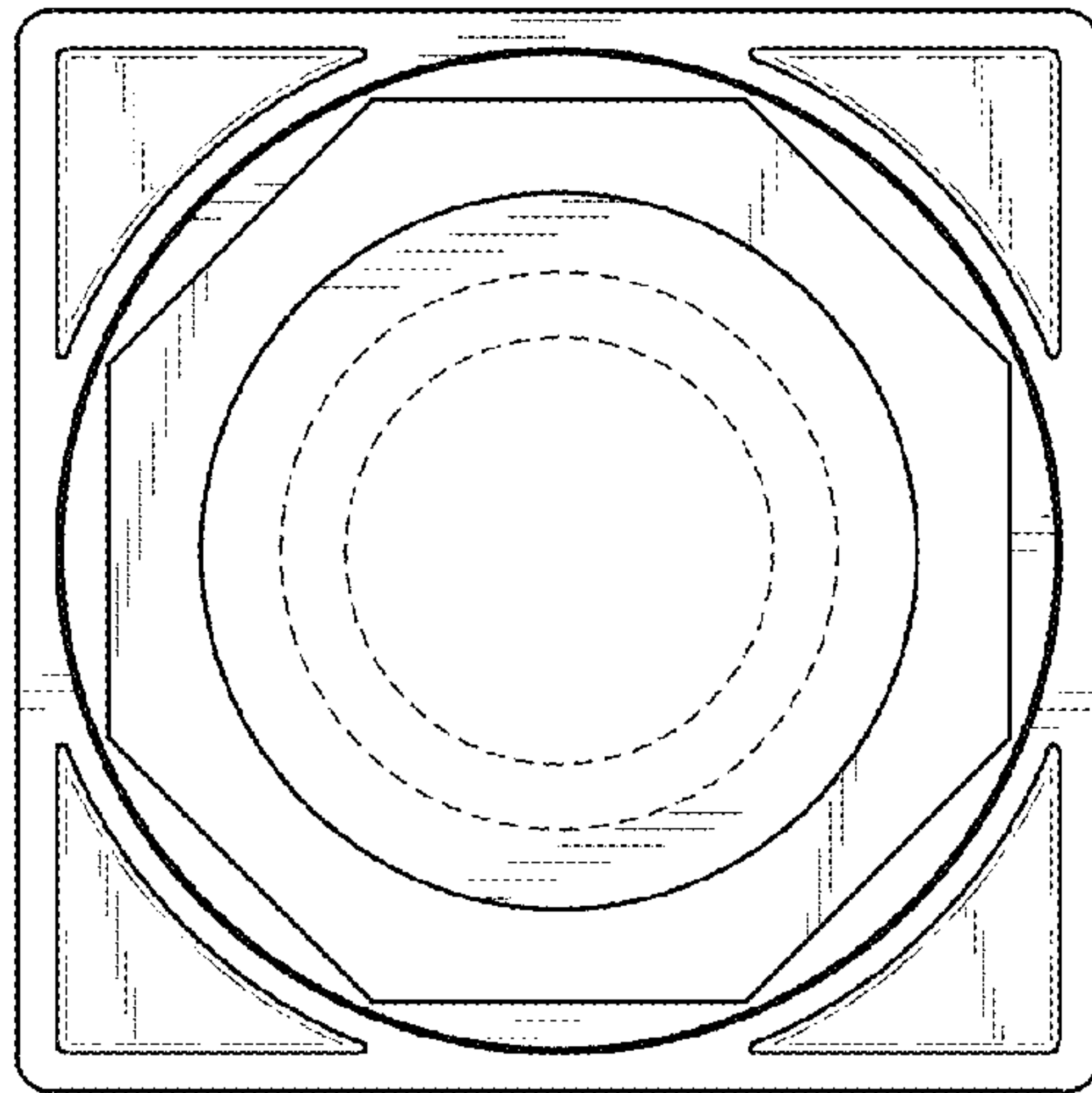


FIG. 3

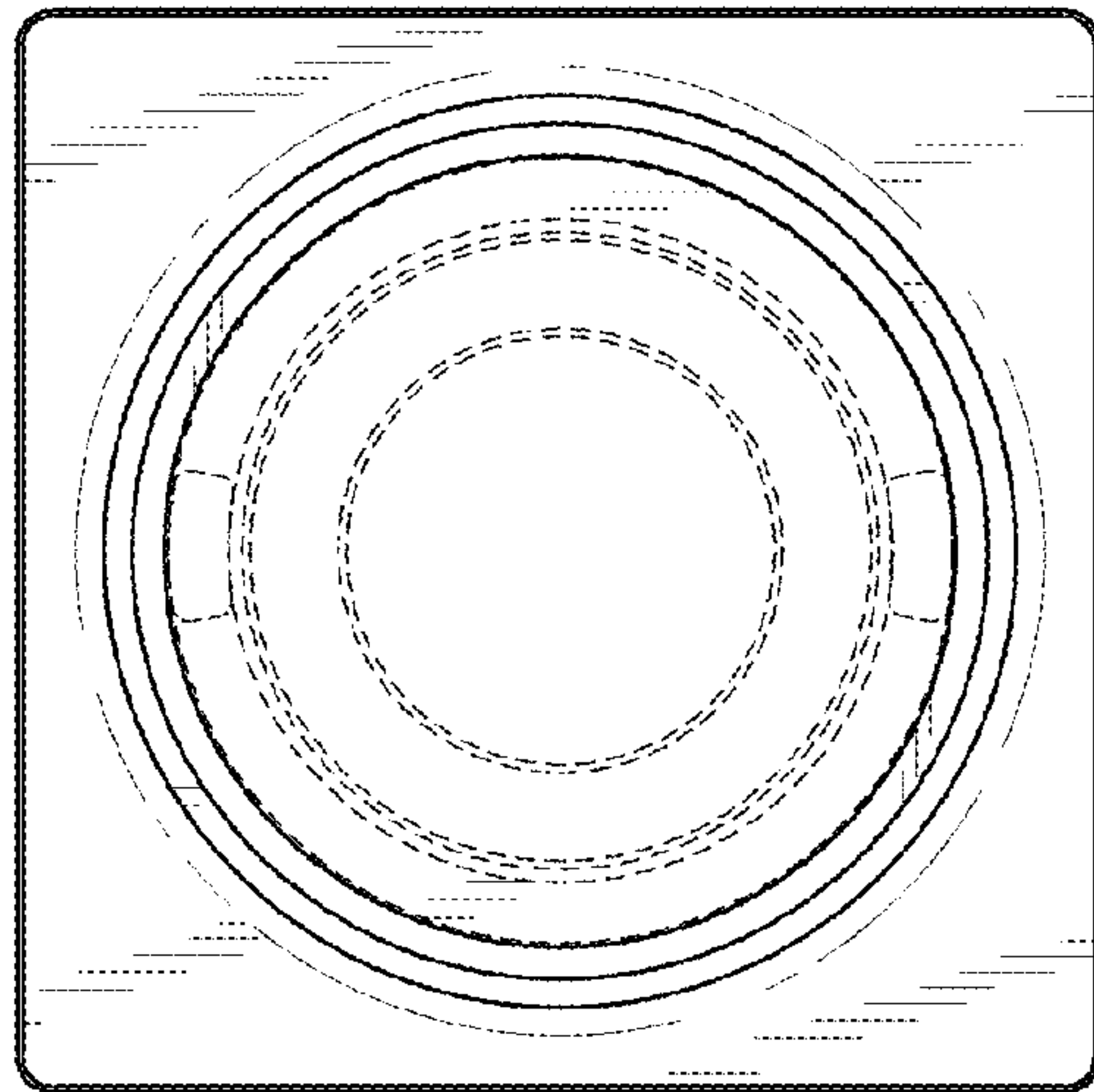


FIG. 2