



US00D749702S

(12) **United States Design Patent**
Rohn et al.

(10) **Patent No.:** **US D749,702 S**
(45) **Date of Patent:** **** Feb. 16, 2016**

(54) **DRAIN PIPE DISCHARGE CONNECTOR**
(71) Applicants: **David M. Rohn**, Hemlock, MI (US);
David T. Woods, Saginaw, MI (US)
(72) Inventors: **David M. Rohn**, Hemlock, MI (US);
David T. Woods, Saginaw, MI (US)
(**) Term: **14 Years**
(21) Appl. No.: **29/481,462**
(22) Filed: **Feb. 6, 2014**
(51) **LOC (10) Cl.** **23-01**
(52) **U.S. Cl.**
USPC **D23/259**
(58) **Field of Classification Search**
USPC D23/213, 223, 229, 259, 260, 261, 262,
D23/263, 264, 265, 266, 267, 268, 269;
D7/664; D8/83, 94, 107
CPC F16L 25/026; F16L 13/12; F16L 19/10;
F16L 25/023; F16L 23/036; F16L 21/005;
F16L 21/04; F16L 5/00; F16L 21/06; F16L
9/18; F16L 59/12; F16L 9/17; E21B 17/042;
H01R 4/20; B25D 7/00; B25D 59/06; G01F
1/42
See application file for complete search history.

D482,761 S * 11/2003 Gotoh D23/233
D524,427 S * 7/2006 Wilk, Jr. D23/262
D571,440 S * 6/2008 Kanao D23/262
D589,126 S * 3/2009 Concannon D23/262
D591,407 S * 4/2009 Youssef D23/266
D617,426 S * 6/2010 Zeyfang D23/260
D631,142 S * 1/2011 Angell D23/262
D637,697 S * 5/2011 Steiner D23/262
D649,228 S * 11/2011 Drenth D23/259
D699,822 S * 2/2014 Beaudoin D23/259
D700,682 S * 3/2014 Bayyouk D23/233
D715,412 S * 10/2014 Sgherri D23/259
D720,051 S * 12/2014 Dole D23/266
D723,667 S * 3/2015 Locke D23/266
D733,262 S * 6/2015 Kang D23/261
D737,942 S * 9/2015 Ball D23/259
D738,470 S * 9/2015 Eaton D23/259
D738,471 S * 9/2015 Melo D23/262
2003/0194269 A1 * 10/2003 Garza E01F 5/005
404/2
2004/0164549 A1 * 8/2004 McAlpine F16L 27/1017
285/235
2004/0183304 A1 * 9/2004 Hsu F16L 37/084
285/373
2008/0284162 A1 * 11/2008 Piscitelli F16L 21/005
285/236
2013/0061973 A1 * 3/2013 Zerbes F16L 9/12
138/109
2015/0020902 A1 * 1/2015 Li A47L 15/4217
137/565.01
2015/0115604 A1 * 4/2015 Delmar F16L 37/138
285/369

(56) **References Cited**

U.S. PATENT DOCUMENTS
2,547,983 A * 4/1951 Slattery F16L 21/005
285/322
3,459,445 A * 8/1969 Parkhill, Jr. F16L 21/005
264/234
4,494,780 A * 1/1985 Burnett F16L 41/12
285/148.26
4,610,470 A * 9/1986 Perrine F16L 37/0926
285/321
4,895,529 A * 1/1990 Thakrar B29C 45/1635
439/281
D314,422 S * 2/1991 Adorjan D23/262
D360,019 S * 7/1995 Sonden D23/262
D377,969 S * 2/1997 Grantham D23/262
6,037,544 A * 3/2000 Lee H02G 15/013
174/92
D464,409 S * 10/2002 Nishio D23/259
D466,652 S * 12/2002 Thurman D23/393

* cited by examiner

Primary Examiner — John Windmuller

Assistant Examiner — Steven Czyz

(74) *Attorney, Agent, or Firm* — Robert L. Farris; Farris Law, P.C.

(57) **CLAIM**

The ornamental design for a drain pipe discharge connector, shown and described.

DESCRIPTION

FIG. 1 is a perspective view of a pipe connector attached to a discharge diffuser;

FIG. 2 is a perspective view of the pipe connector;

FIG. 3 is an end view of the pipe connector; and,

FIG. 4 is a plan view of the pipe connector.

1 Claim, 2 Drawing Sheets

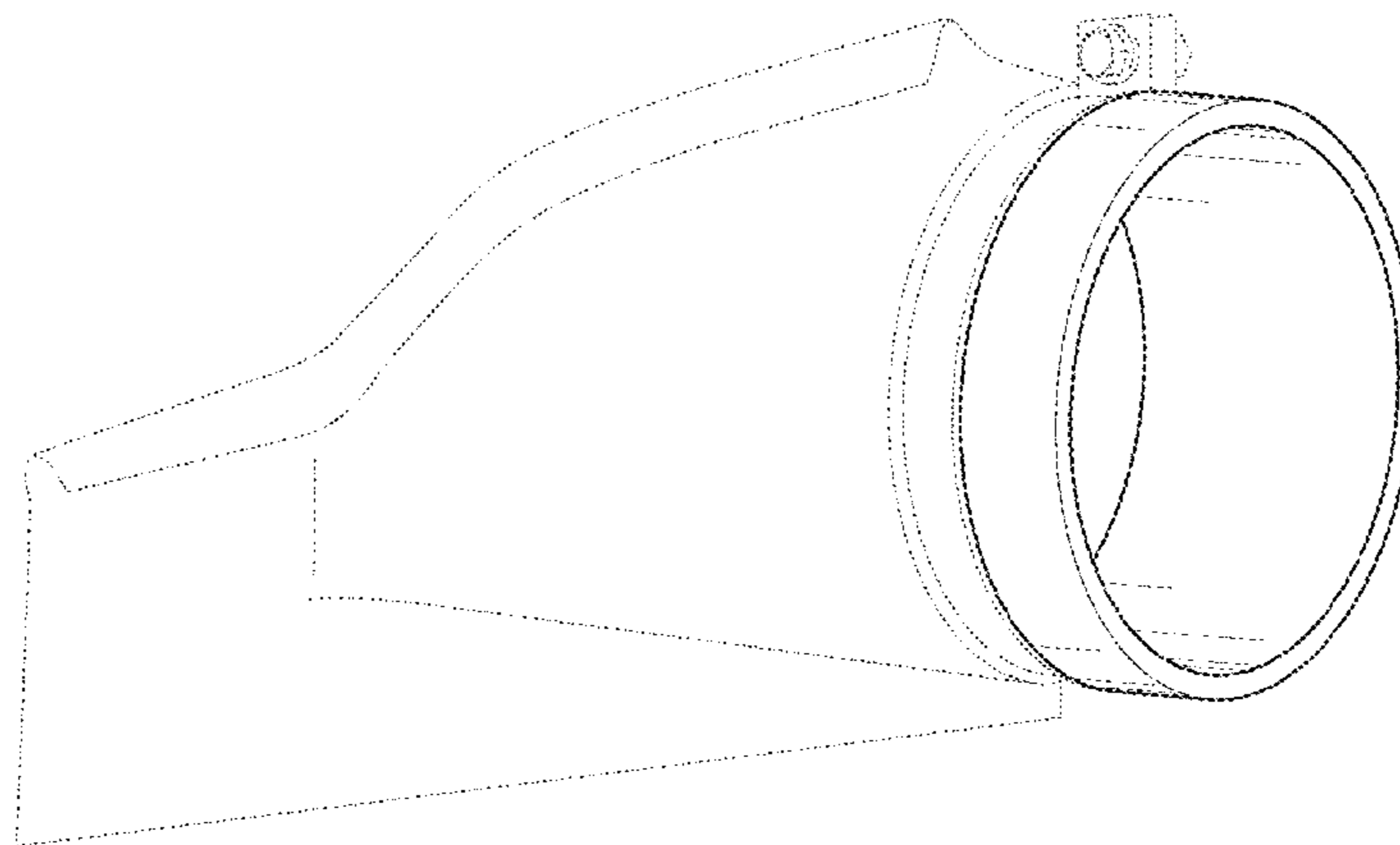


FIG. 1

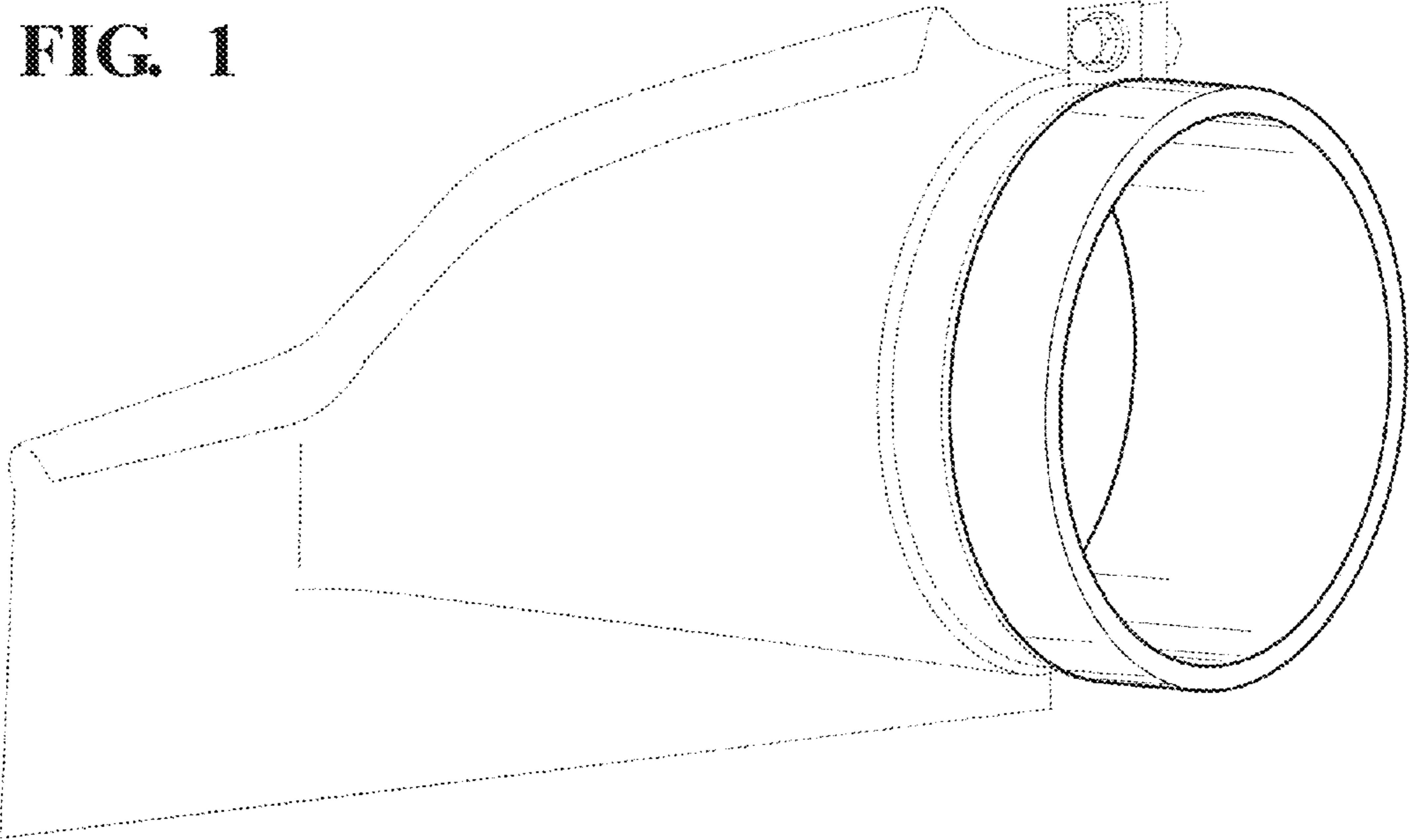


FIG. 2

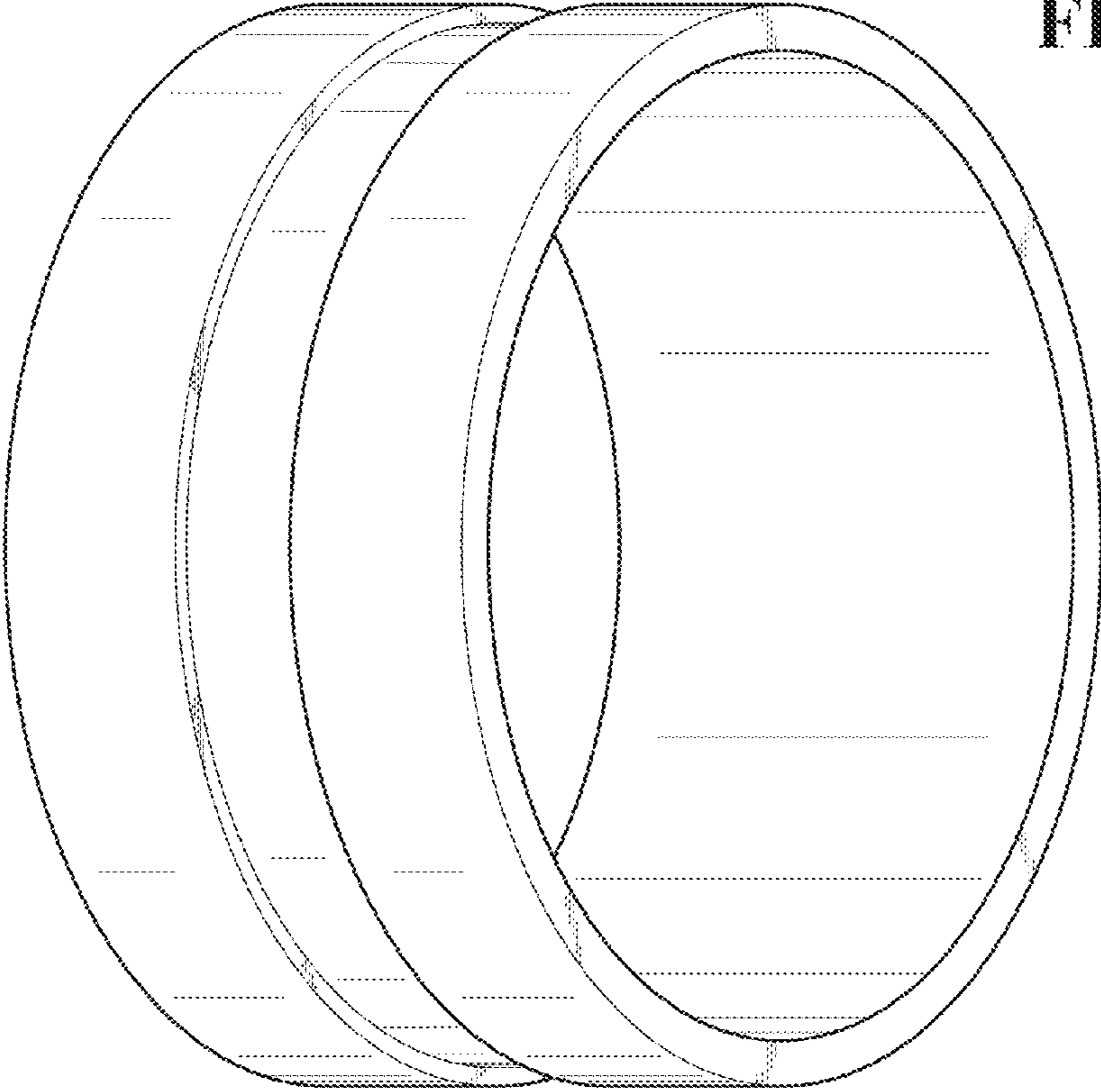


FIG. 3

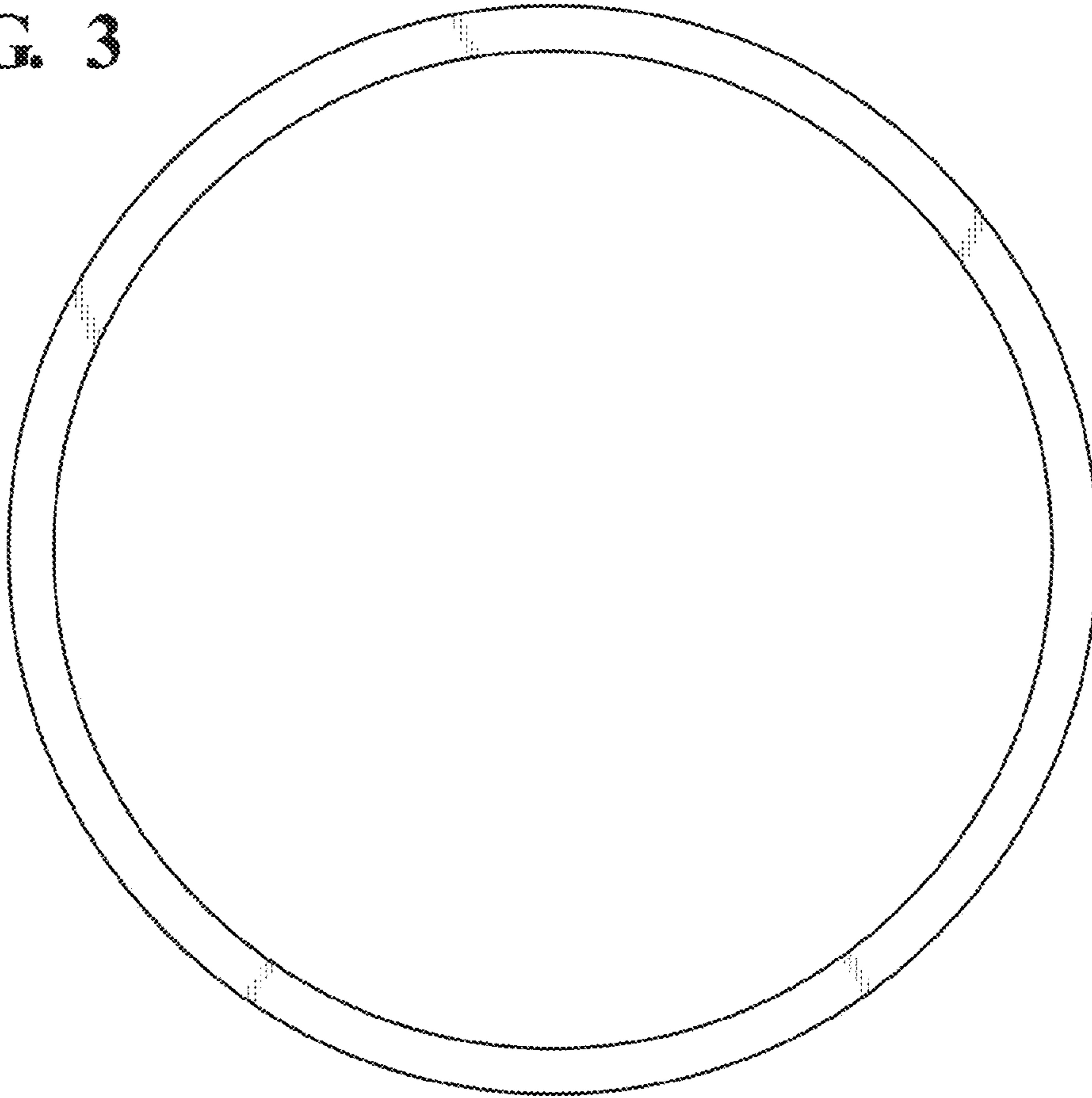


FIG. 4

