



US00D749701S

(12) **United States Design Patent**
Lo et al.

(10) **Patent No.:** **US D749,701 S**
(45) **Date of Patent:** **** Feb. 16, 2016**

- (54) **FOUR-WAY CONTROL VALVE**
- (71) Applicants: **Shun-Nan Lo**, Changhua (TW);
King-Yuan Wang, Changhua (TW)
- (72) Inventors: **Shun-Nan Lo**, Changhua (TW);
King-Yuan Wang, Changhua (TW)
- (73) Assignee: **Yuan Mei Corp.**, Changhua (TW)
- (**) Term: **14 Years**
- (21) Appl. No.: **29/511,456**
- (22) Filed: **Dec. 10, 2014**
- (51) **LOC (10) Cl.** **23-01**
- (52) **U.S. Cl.**
USPC **D23/245**
- (58) **Field of Classification Search**
USPC D23/233-237, 244-249; 251/309, 310,
251/315, 315.4, 335.5; 137/170-174, 219,
137/625.22
CPC F16K 5/0478; F16K 5/0407; F16K 1/32;
F16K 27/067; F16K 27/065; F16K 27/062
See application file for complete search history.

- D422,680 S * 4/2000 Guo D23/213
- 6,463,955 B2 * 10/2002 Hasak F16K 7/16
137/553
- D466,190 S * 11/2002 Chan D23/233
- D495,030 S * 8/2004 Lillback D23/233
- D498,819 S * 11/2004 Goetz D23/245
- D499,174 S * 11/2004 Goetz D23/245
- D621,003 S * 8/2010 Gramegna D23/233
- D643,316 S * 8/2011 Nies D10/40
- D736,896 S * 8/2015 Nishimura D23/233

* cited by examiner

Primary Examiner — Cynthia Ramirez

(74) *Attorney, Agent, or Firm* — Che-Yang Chen; Law Office of Michael Chen

(57) **CLAIM**

The ornamental design for a four-way control valve, as shown and described.

DESCRIPTION

FIG. 1 is a perspective view of a four-way control valve showing my new design;
 FIG. 2 is a front elevational view thereof;
 FIG. 3 is a rear elevational view thereof;
 FIG. 4 is a left side elevational view thereof;
 FIG. 5 is a right side elevational view thereof;
 FIG. 6 is a top plan view thereof; and,
 FIG. 7 is a bottom plan view thereof.

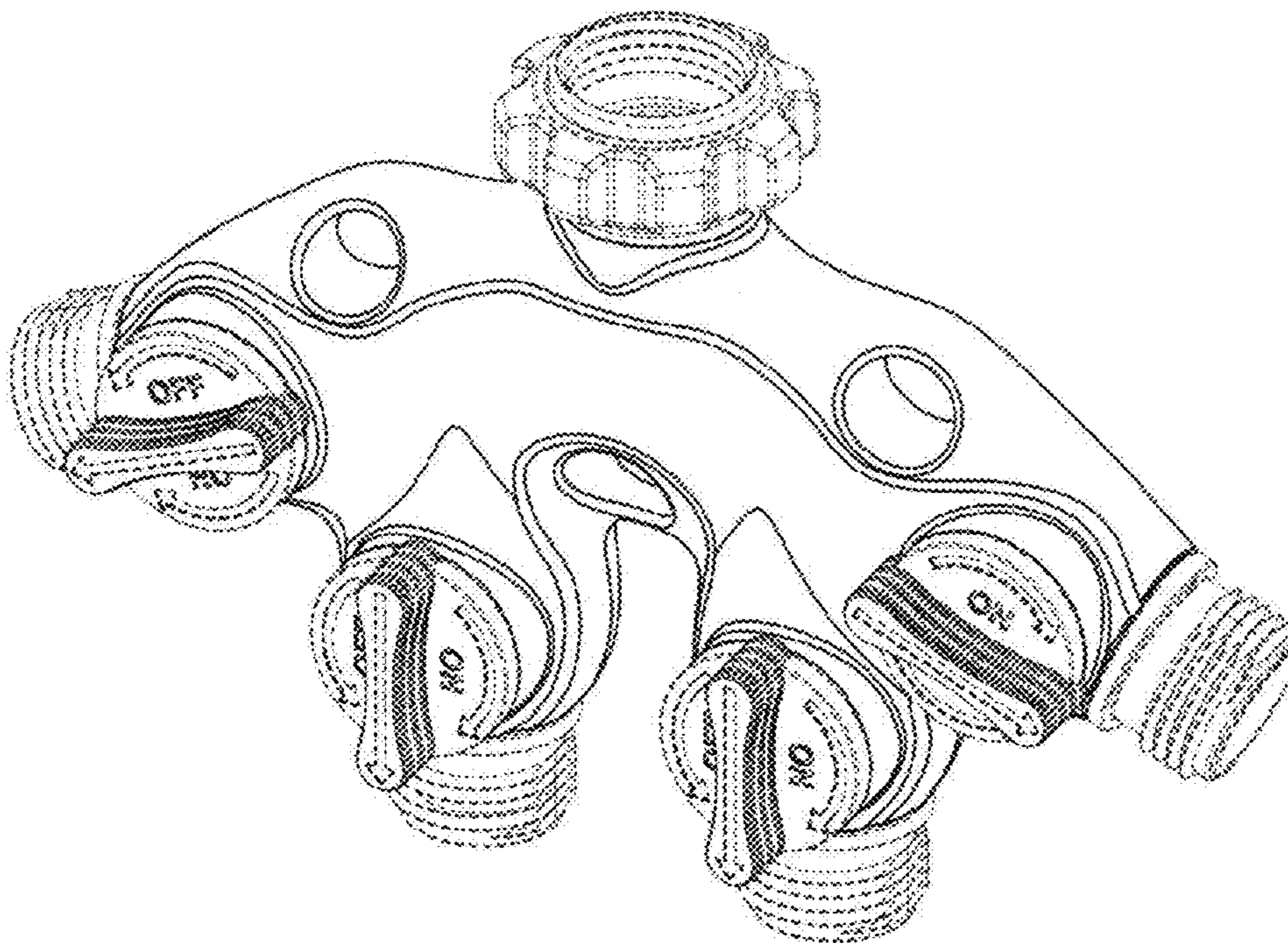
The broken lines shown in the figures are included for the purpose of illustrating environment and forms no part of the claimed design.

1 Claim, 7 Drawing Sheets

(56) **References Cited**

U.S. PATENT DOCUMENTS

- 3,697,001 A * 10/1972 Skodak B24B 55/02
239/521
- 3,826,431 A * 7/1974 Telge A01M 7/005
239/170



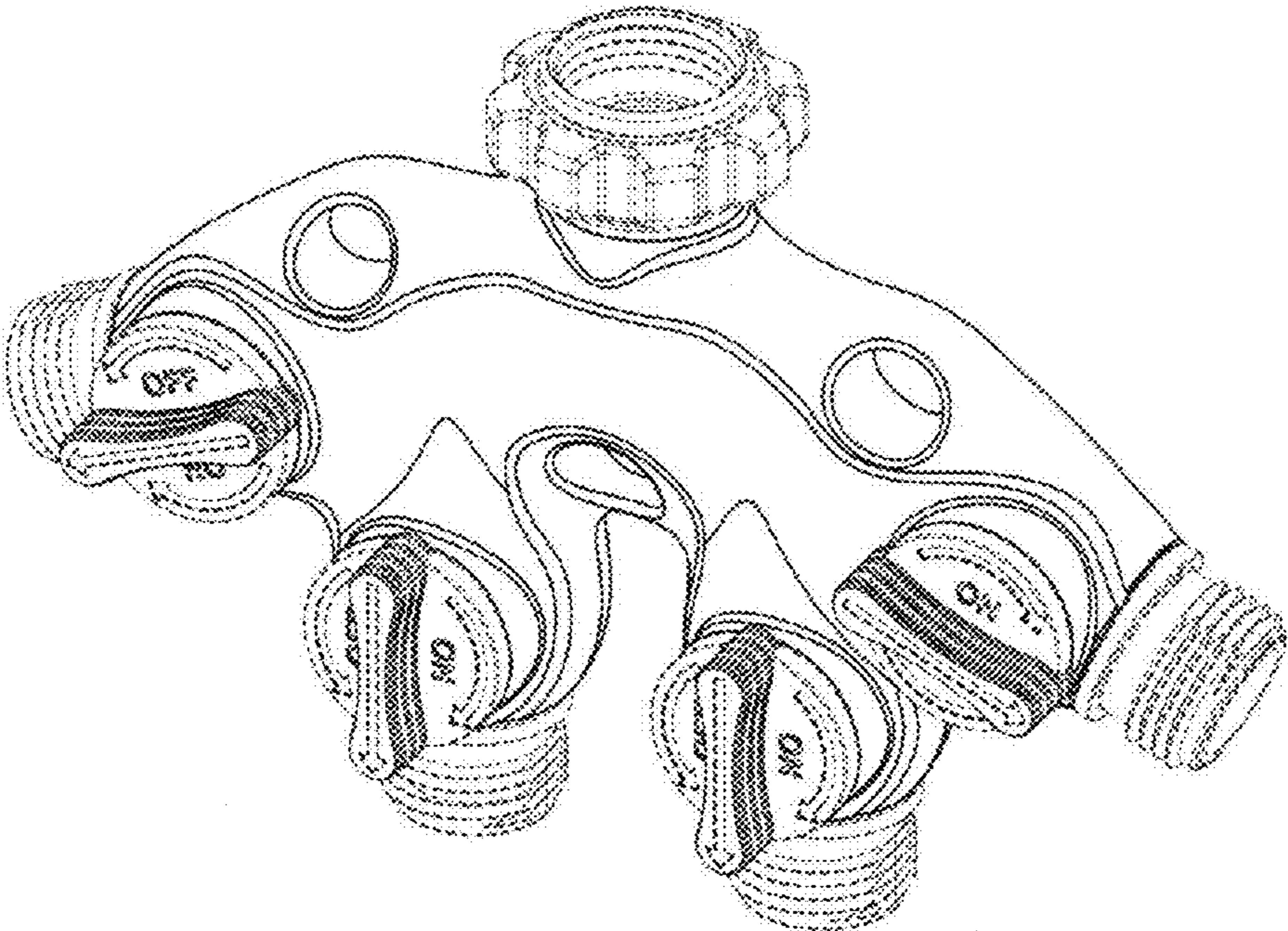


FIG. 1

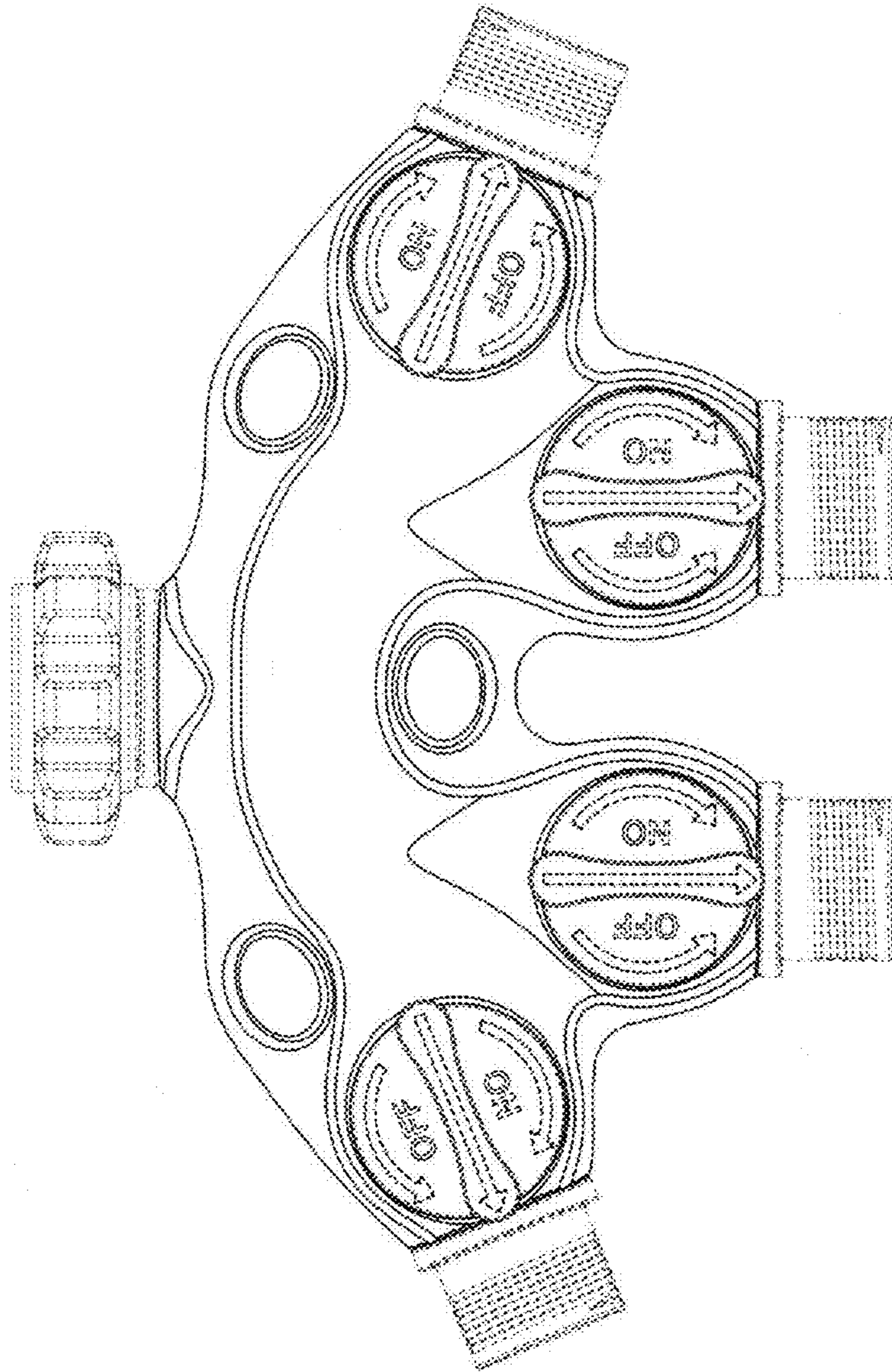


FIG. 2

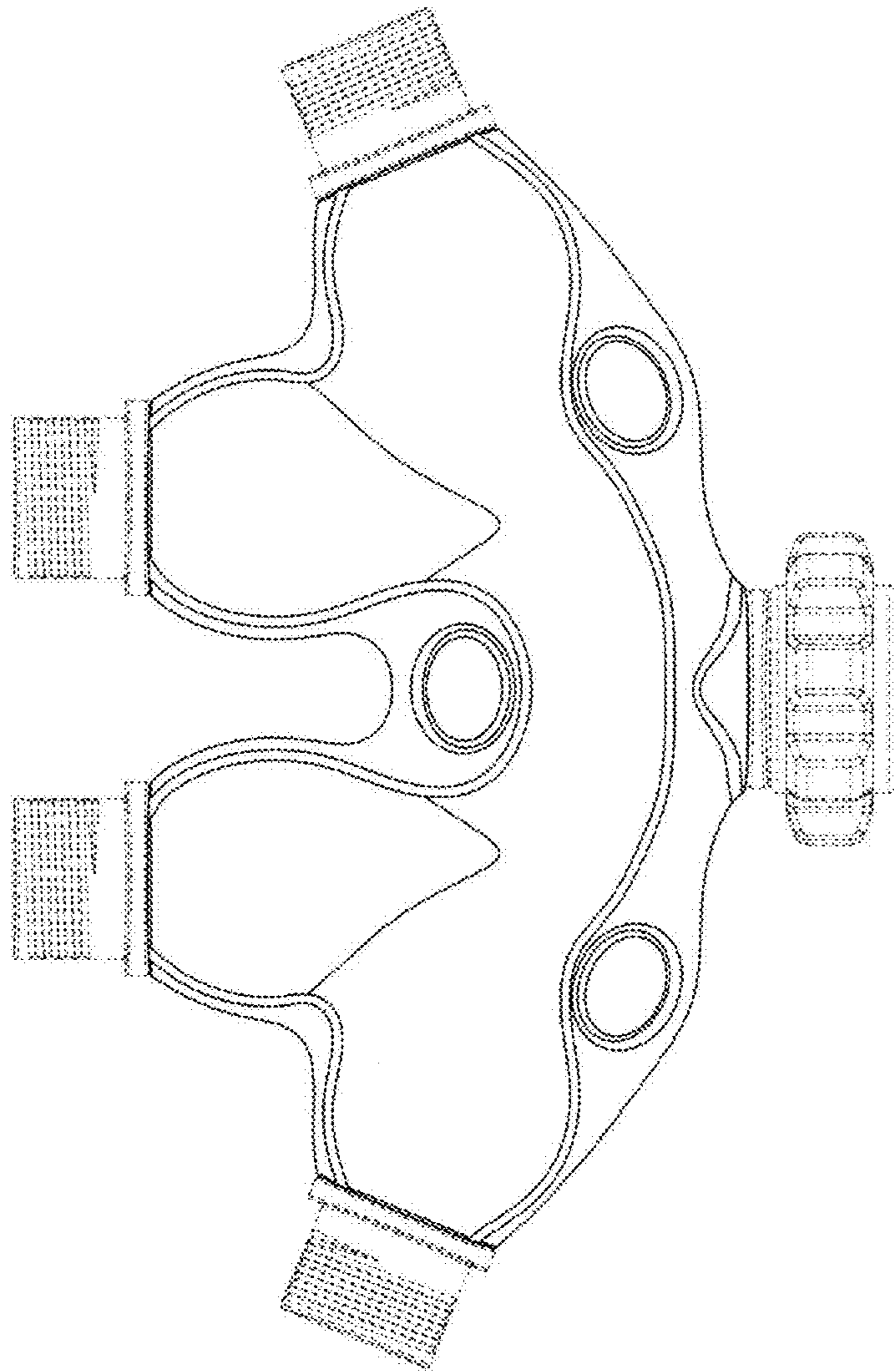


FIG. 3

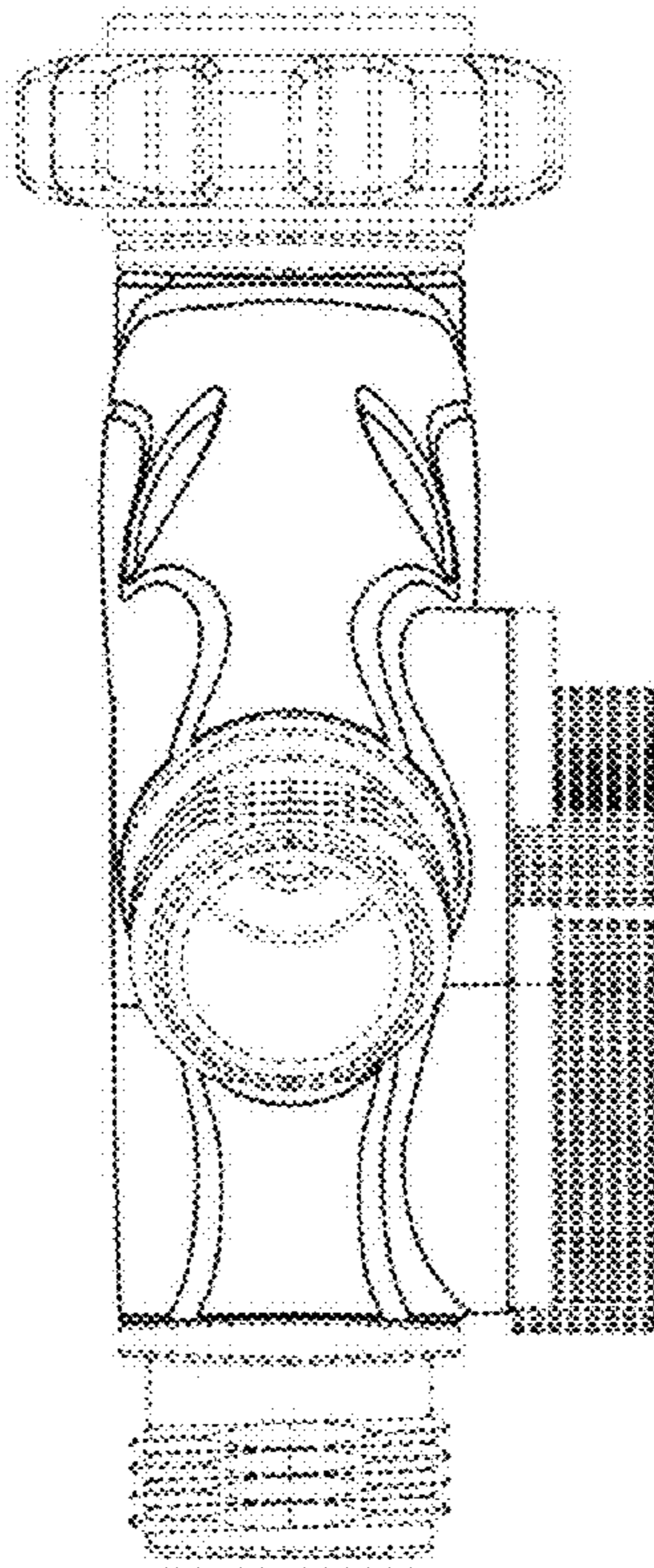


FIG. 4

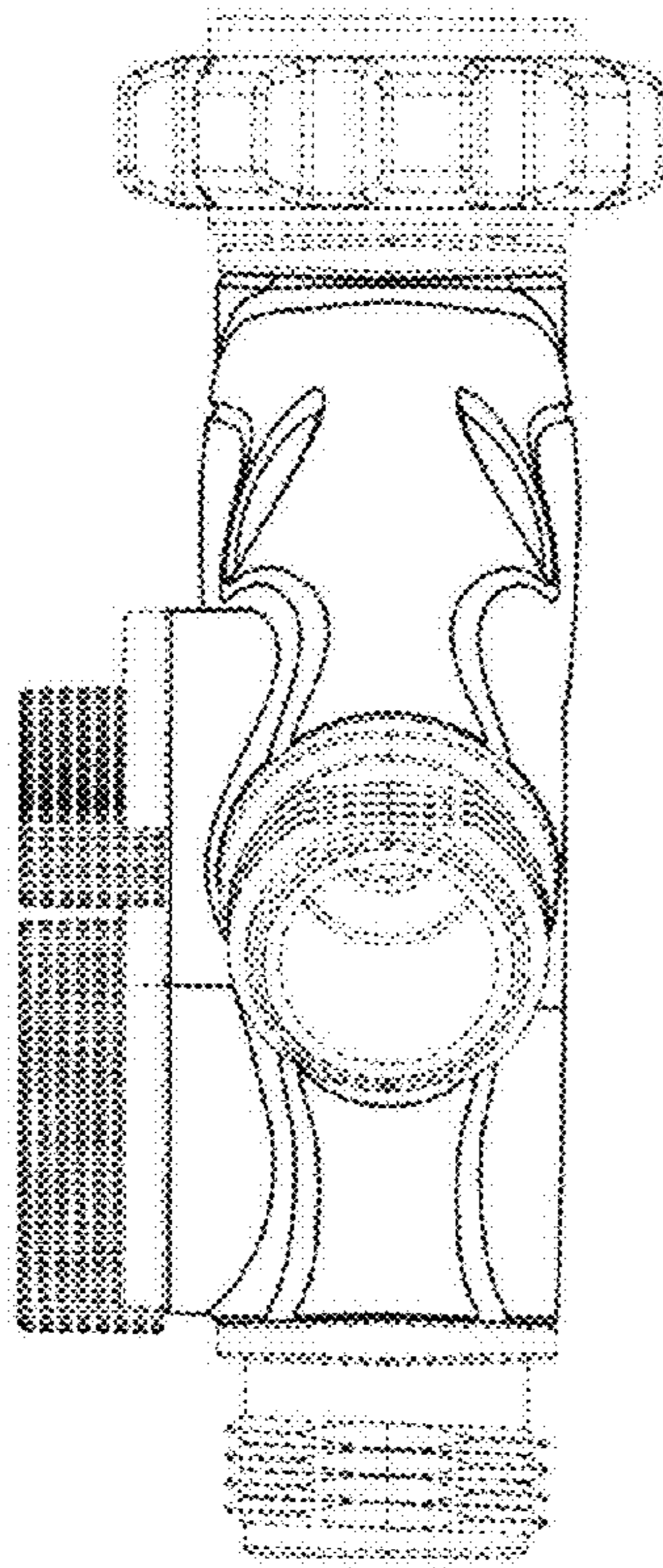


FIG. 5

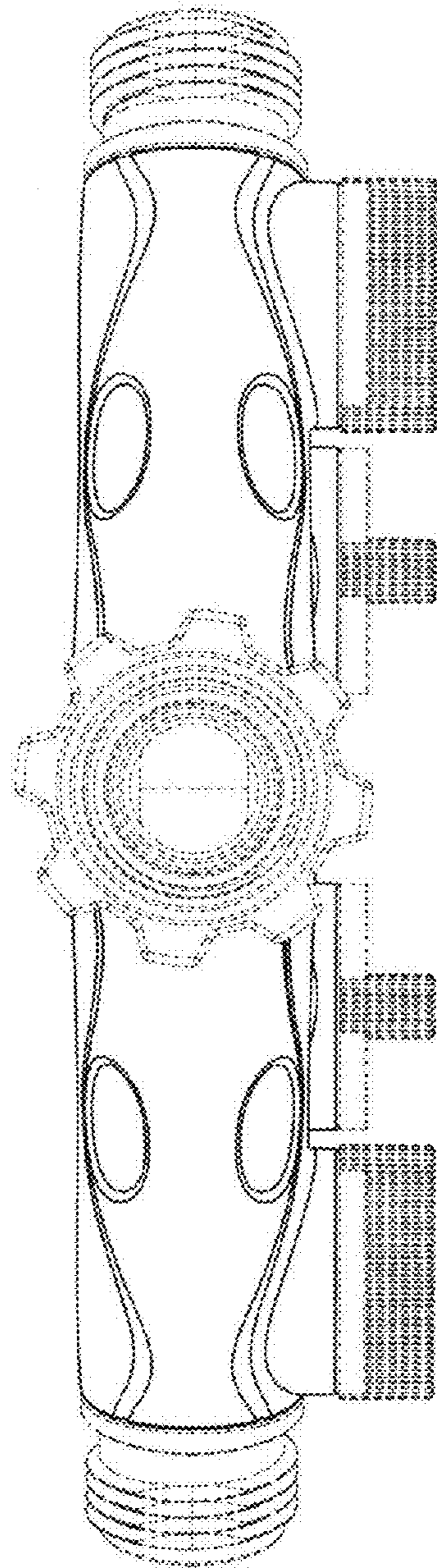


FIG. 6

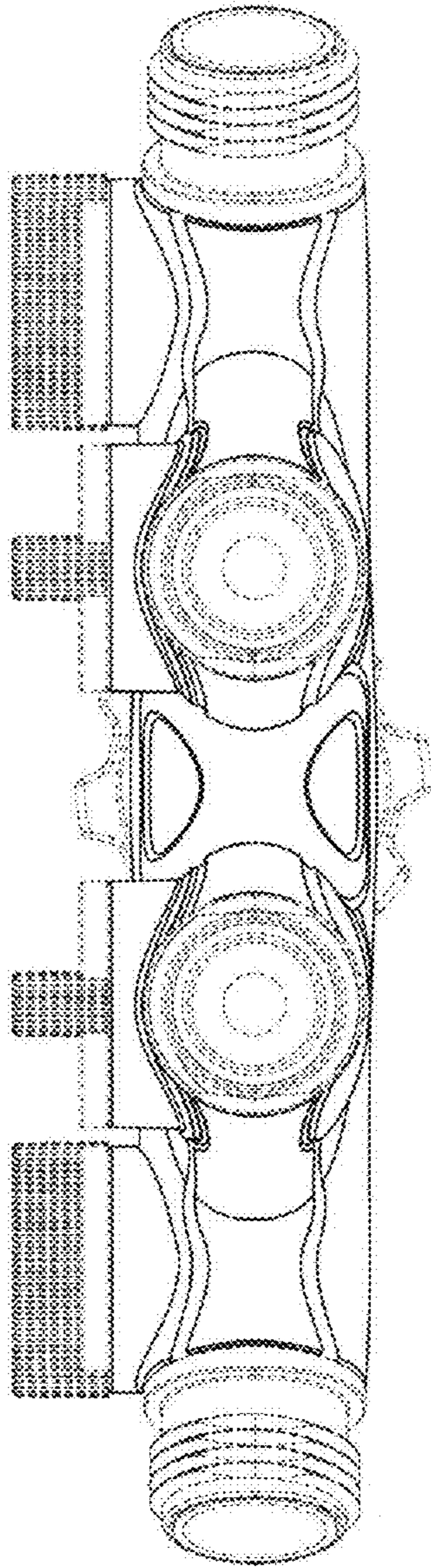


FIG. 7