



US00D749700S

(12) **United States Design Patent**
Miyazoe et al.

(10) **Patent No.:** **US D749,700 S**
(45) **Date of Patent:** **** Feb. 16, 2016**

(54) **ELECTROMAGNETIC VALVE**
(71) Applicants: **Shinji Miyazoe**, Tsukubamirai (JP);
Shinichi Yoshimura, Tsukubamirai (JP);
Takashi Murakami, Tsukubamirai (JP)
(72) Inventors: **Shinji Miyazoe**, Tsukubamirai (JP);
Shinichi Yoshimura, Tsukubamirai (JP);
Takashi Murakami, Tsukubamirai (JP)
(73) Assignee: **SMC Corporation**, Chiyoda-ku, Tokyo
(JP)
(**) Term: **14 Years**

D563,522 S * 3/2008 Miyazoe D23/233
D564,630 S * 3/2008 Miyazoe D23/233
D638,101 S * 5/2011 Kato D23/233
D720,043 S * 12/2014 Nishiyama D23/233
D720,046 S * 12/2014 Morodomi D23/233
D725,231 S * 3/2015 Doi D23/233
D725,232 S * 3/2015 Doi D23/233

* cited by examiner

Primary Examiner — Cynthia Ramirez
Assistant Examiner — Gino Colan

(74) *Attorney, Agent, or Firm* — Yokoi & Co., U.S.A.;
Toshiyuki Yokoi

(21) Appl. No.: **29/513,927**
(22) Filed: **Jan. 7, 2015**

(57) **CLAIM**

The ornamental design for an electromagnetic valve, as shown and described.

(30) **Foreign Application Priority Data**

Sep. 11, 2014 (JP) 2014-020170

(51) **LOC (10) Cl.** **23-01**

(52) **U.S. Cl.**
USPC **D23/233**

(58) **Field of Classification Search**
USPC D23/233-250; 137/554, 487.5, 599,
137/557, 560, 882, 884, 343, 625.64, 269,
137/599.07; 251/129.15, 129.01
CPC ... F16K 31/0675; F16K 27/029; F16K 31/02;
F16K 31/082; F16K 27/048; F16K 11/24
See application file for complete search history.

DESCRIPTION

FIG. 1 shows a front view of an electromagnetic valve showing our new design;
FIG. 2 shows a rear view thereof;
FIG. 3 shows a right side view thereof;
FIG. 4 shows a left side view thereof;
FIG. 5 shows a top view thereof;
FIG. 6 shows a bottom view thereof;
FIG. 7 shows a top, front and left side perspective view thereof; and,
FIG. 8 shows a bottom, rear and right side perspective view thereof.

The portions of the design shown in broken lines in FIGS. 1-8 are for the purpose of illustrating the environment only and form no part of the claimed design.

(56) **References Cited**

U.S. PATENT DOCUMENTS

D427,284 S * 6/2000 Sato D23/233
D545,945 S * 7/2007 Miyazoe D23/233

1 Claim, 7 Drawing Sheets

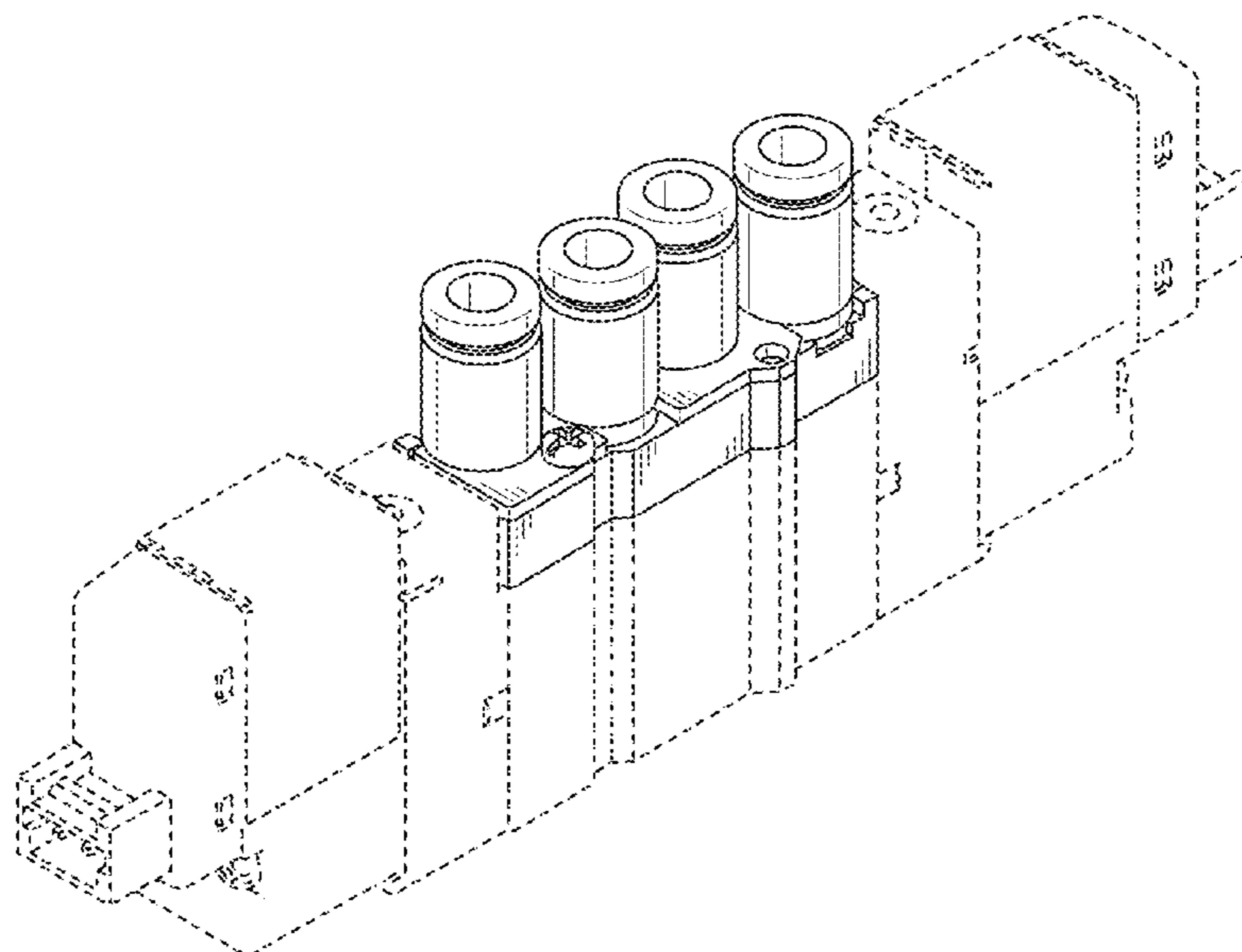


FIG. 1

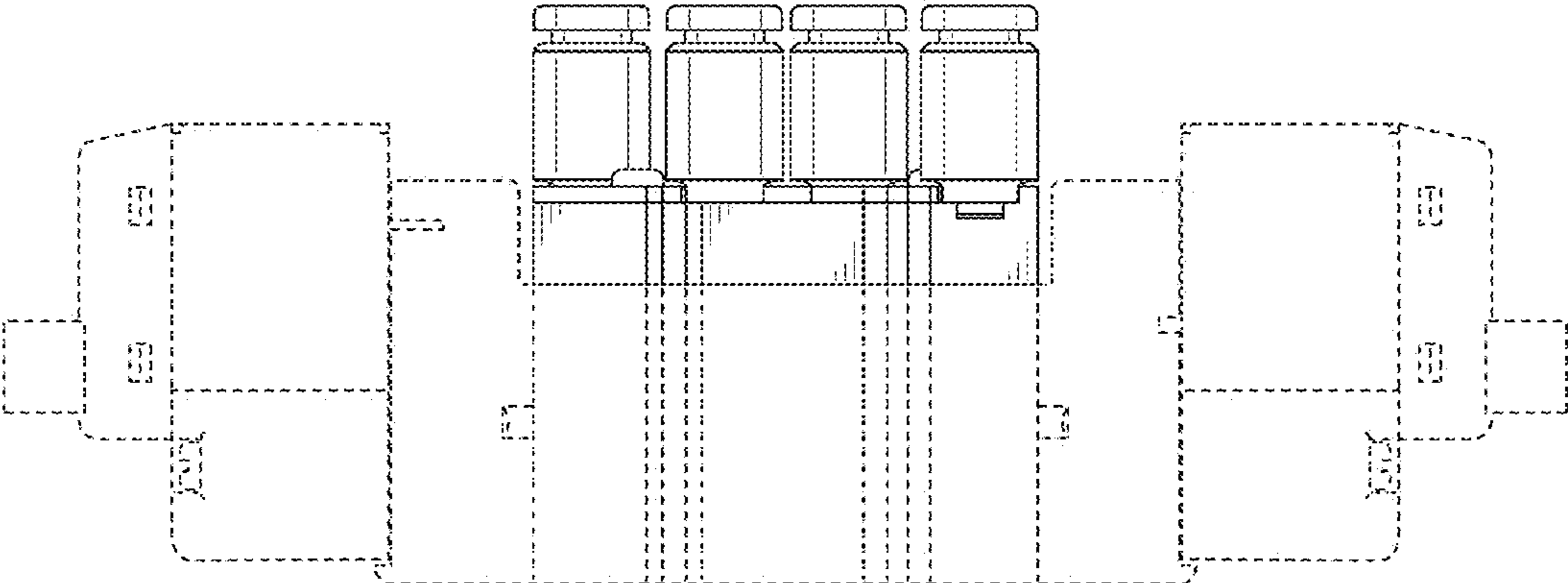


FIG. 2

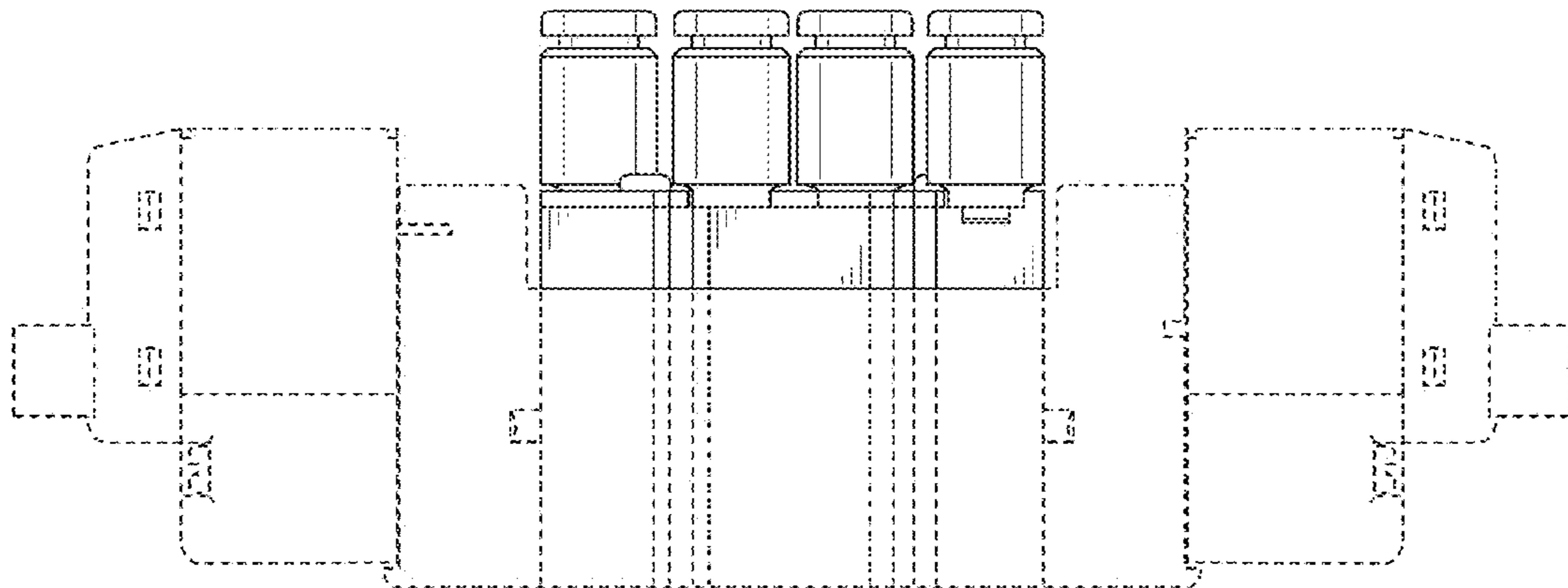


FIG. 3

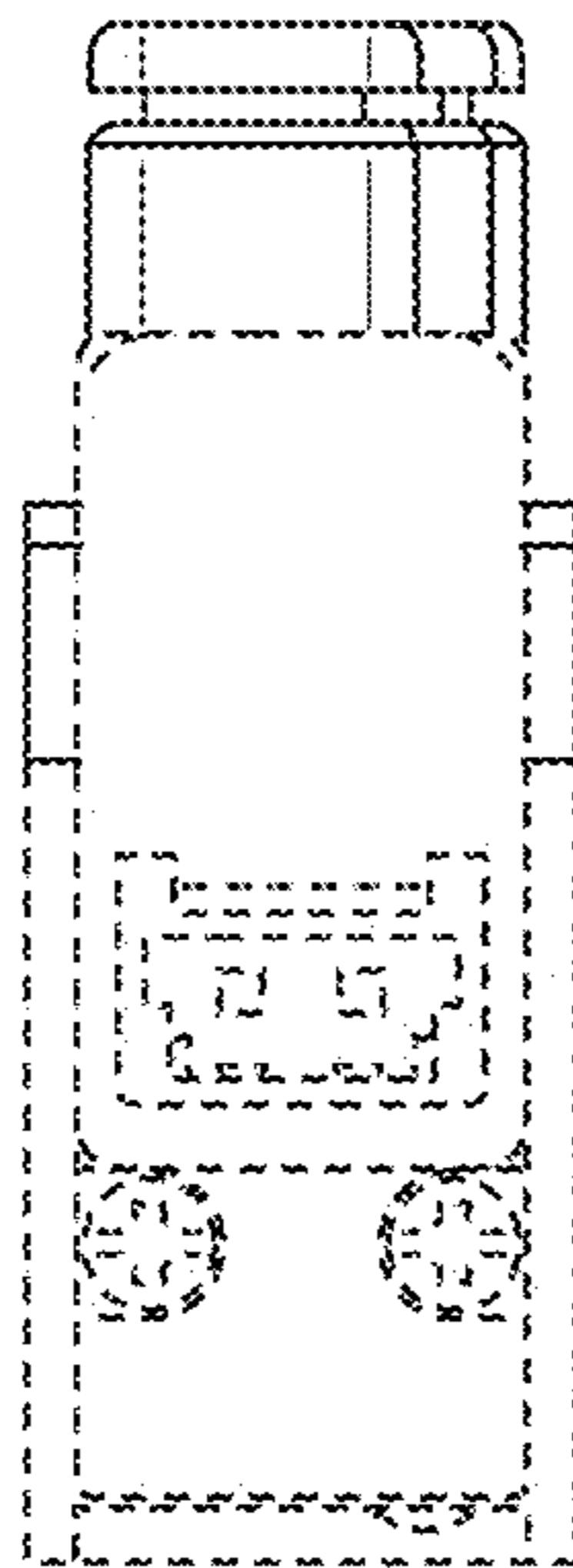


FIG. 4

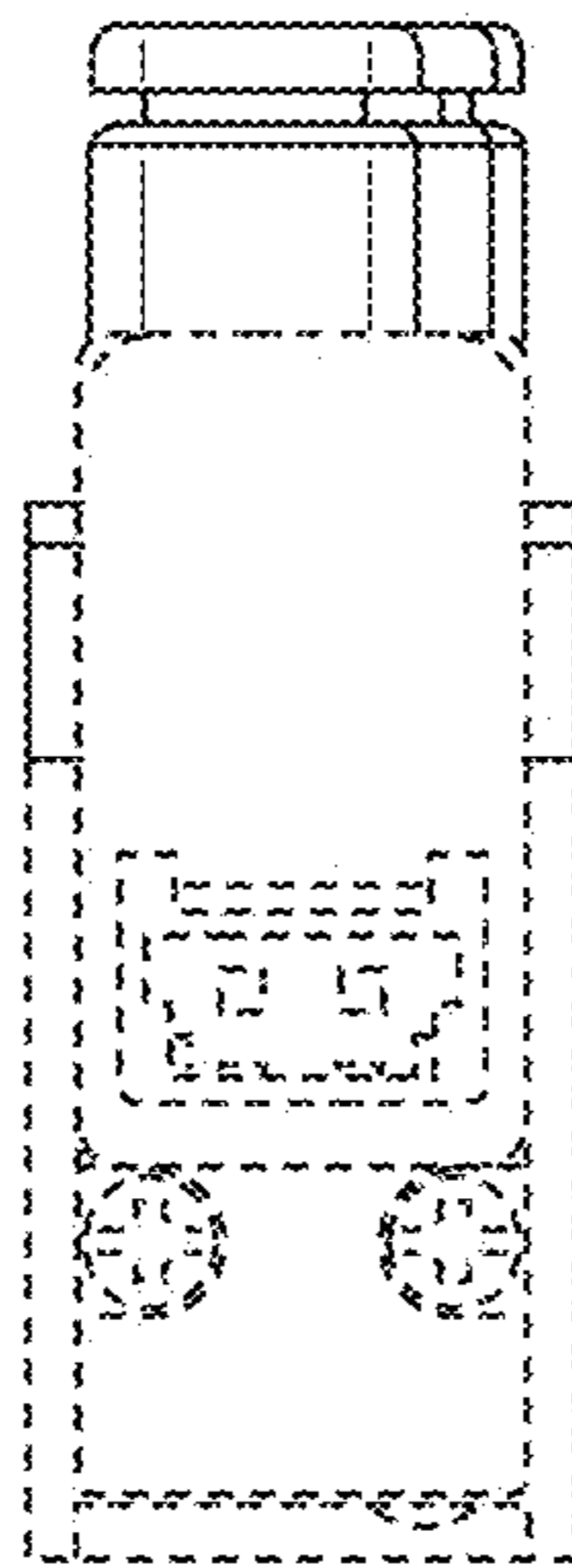


FIG. 5

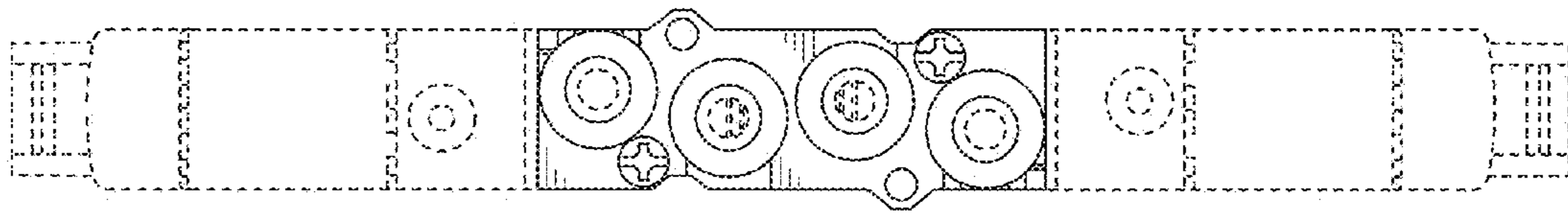


FIG. 6

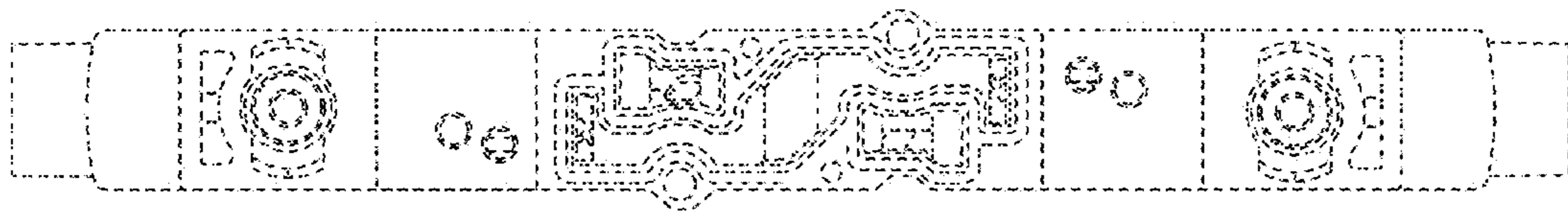


FIG. 7

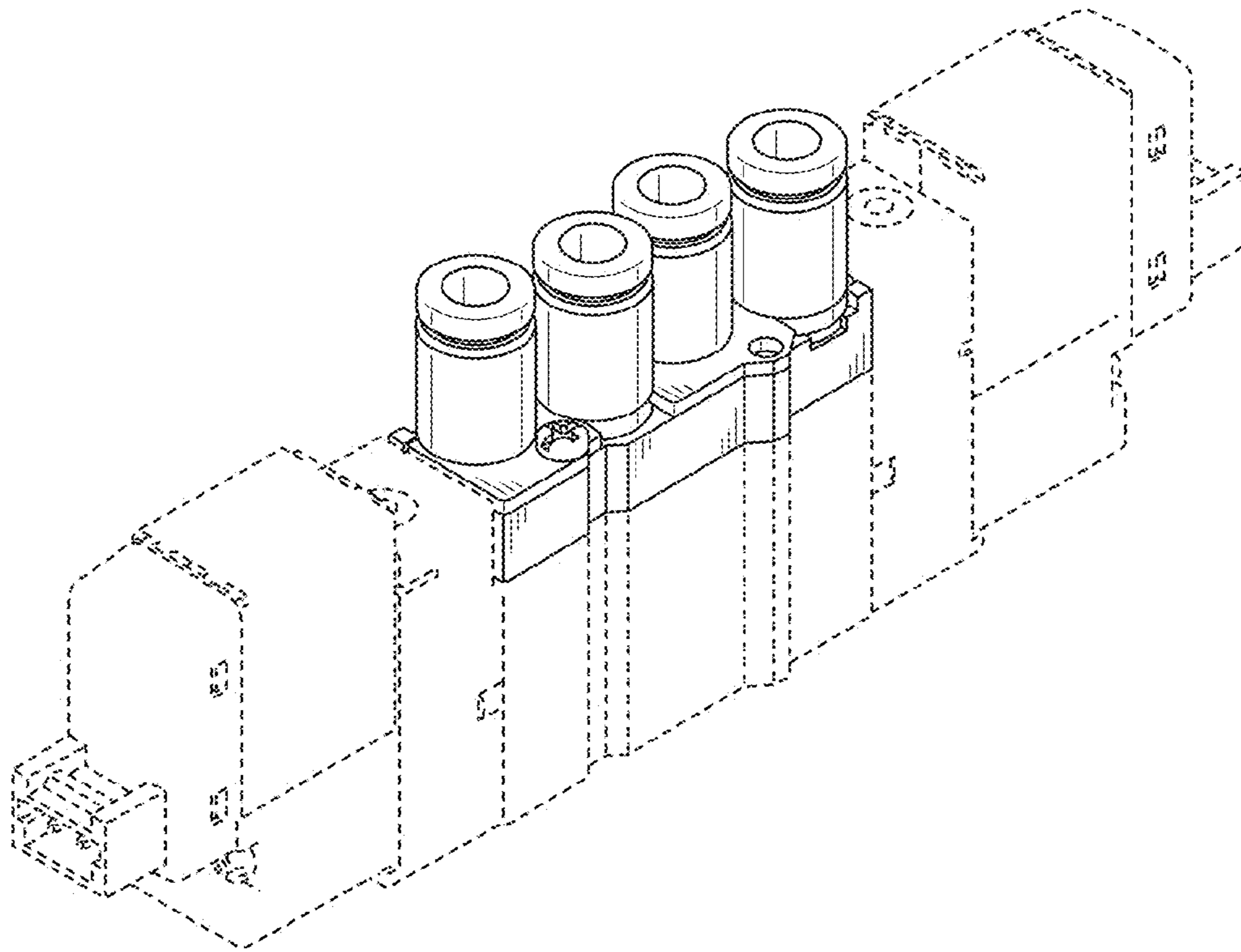


FIG. 8

