



US00D749698S

(12) **United States Design Patent**
Pereira Dos Reis

(10) **Patent No.:** **US D749,698 S**
(45) **Date of Patent:** **** Feb. 16, 2016**

(54) **PORTABLE SPRAYER**

(56) **References Cited**

(71) Applicant: **MAQUINAS AGRICOLAS JACTO,**
S.A., Pompeia (BR)

(72) Inventor: **Fabio Aparecido Pereira Dos Reis,**
Pompeia (BR)

(73) Assignee: **MANQUINAS AGRICOLAS JACTO**
S.A., Pompeia (BR)

(**) Term: **14 Years**

(21) Appl. No.: **29/503,654**

(22) Filed: **Sep. 29, 2014**

(30) **Foreign Application Priority Data**

May 8, 2014 (BR) 30 2014 00 2046 3

(51) **LOC (10) Cl.** **23-01**

(52) **U.S. Cl.**
USPC **D23/225**

(58) **Field of Classification Search**
USPC D23/202, 225; 222/465.1, 400.8;
239/152-154, 337, 373
CPC B05B 9/08; B05B 7/2408; B65D 83/20
See application file for complete search history.

U.S. PATENT DOCUMENTS

D212,089	S	*	8/1968	Peifer	D23/202
7,007,826	B2	*	3/2006	Shapanus	B05B 9/0861 222/175
D616,959	S	*	6/2010	Wu	D23/202
7,854,396	B2	*	12/2010	Wu	B05B 9/0877 239/152
D633,984	S	*	3/2011	Plantz	D23/202
D670,788	S	*	11/2012	Plantz	D23/225
D719,639	S	*	12/2014	Pagliai	D23/225
D720,039	S	*	12/2014	Tinius	D23/225
D720,429	S	*	12/2014	Tinius	D23/225
D721,161	S	*	1/2015	Yam	D23/225

* cited by examiner

Primary Examiner — Robin V Webster

(74) *Attorney, Agent, or Firm* — Michael J. Striker

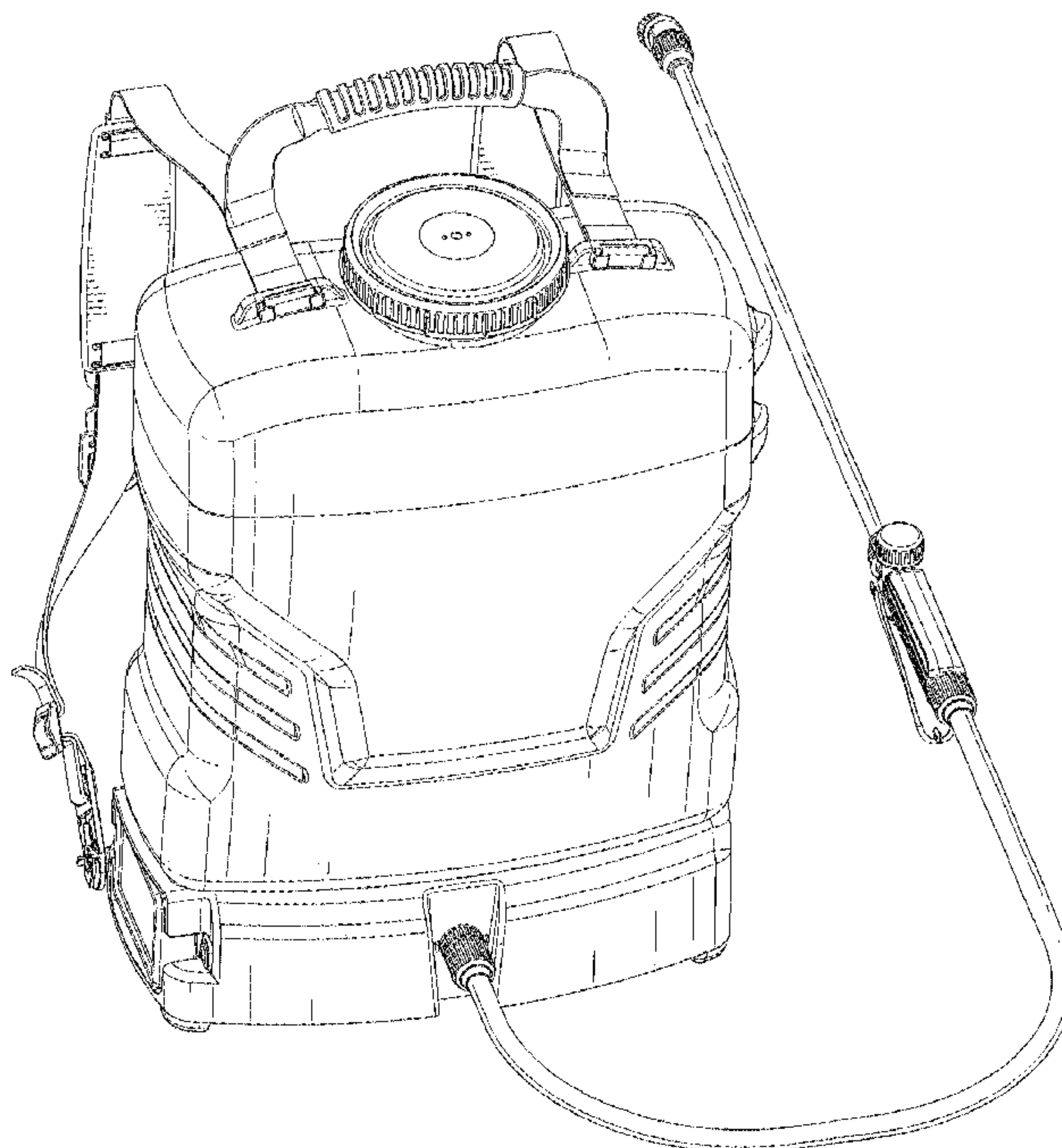
(57) **CLAIM**

The ornamental design for a portable sprayer, as shown and described.

DESCRIPTION

FIG. 1 is a 3/4 perspective view of a portable sprayer showing my new design;
FIG. 2 is a front view thereof;
FIG. 3 is a 3/4 side perspective view thereof;
FIG. 4 is a 3/4 side perspective view of the opposite side of FIG. 3 thereof; and,
FIG. 5 is a bottom side perspective view thereof.
The broken line showing in FIG. 5 is included for the purpose of illustrating and forms no part of the claimed design.

1 Claim, 5 Drawing Sheets



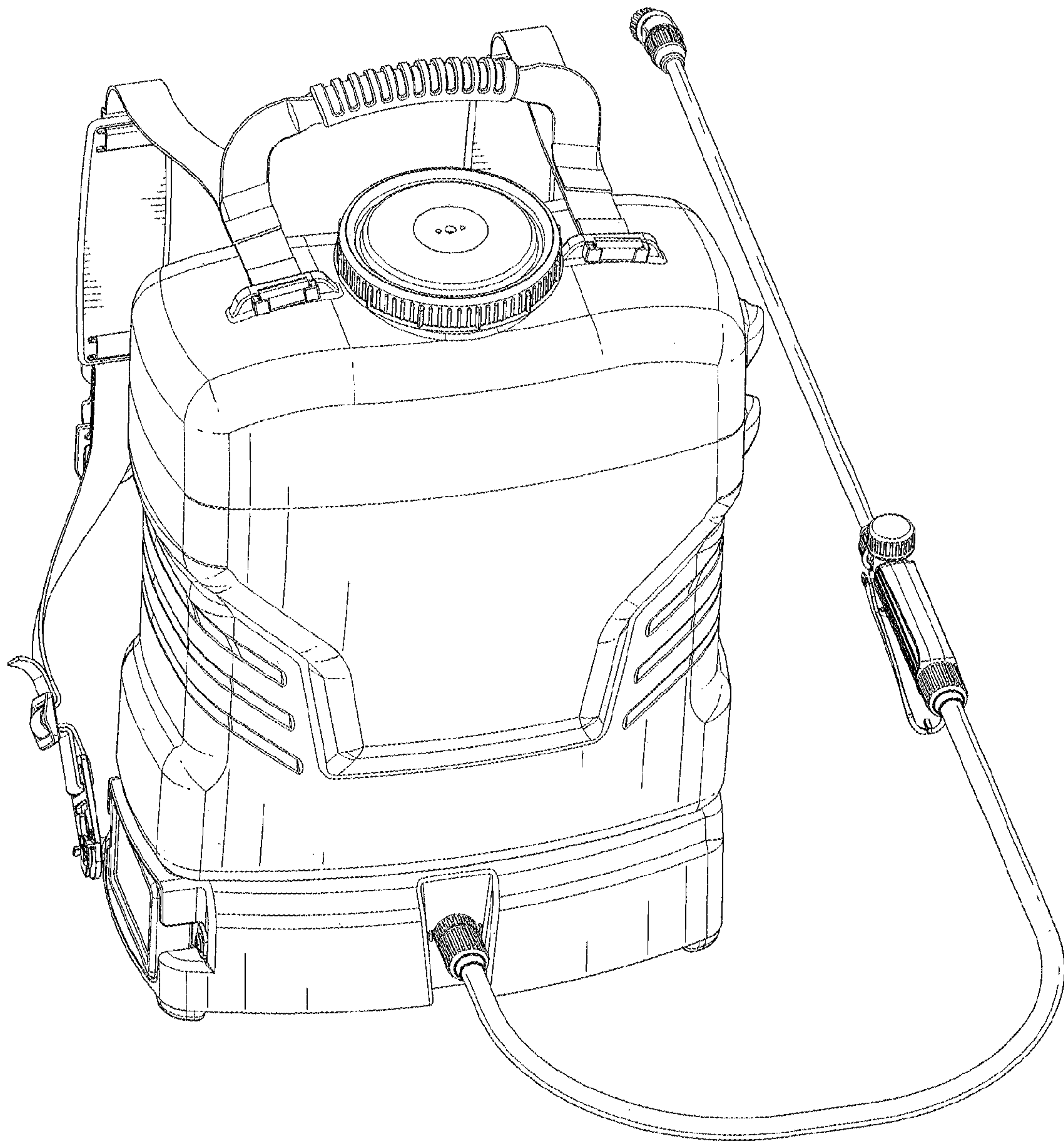


FIG. 1

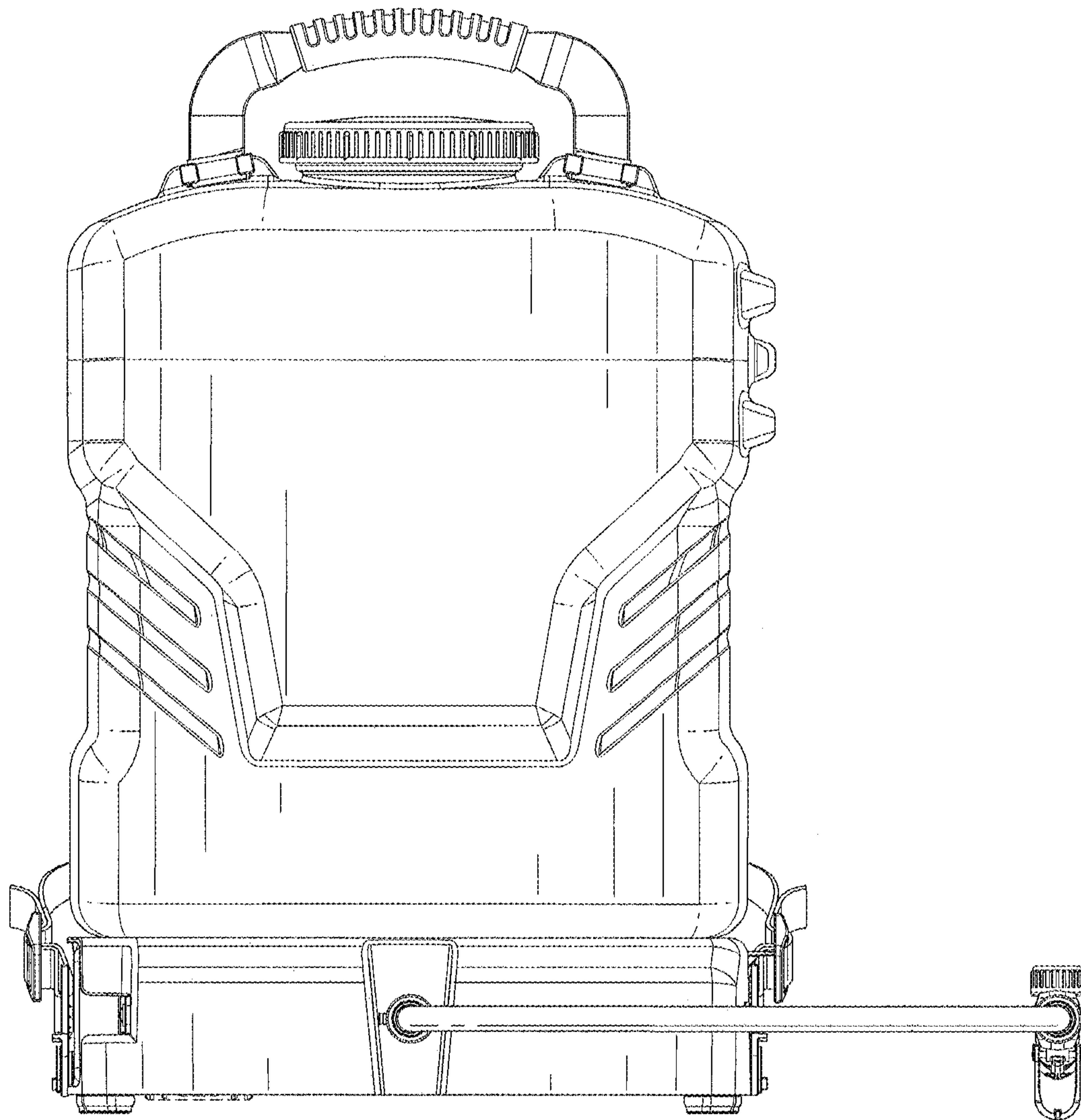


FIG. 2

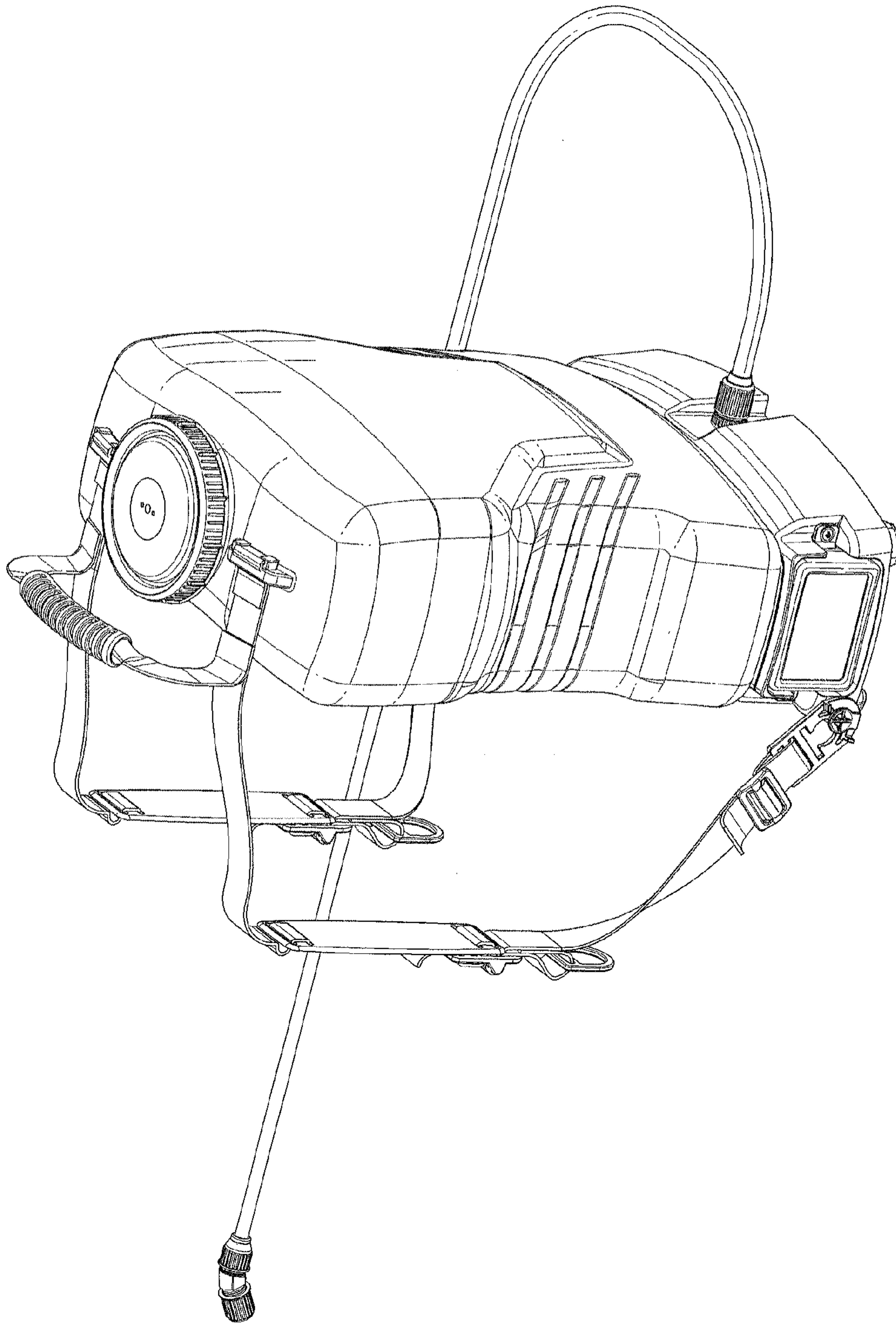


FIG.3

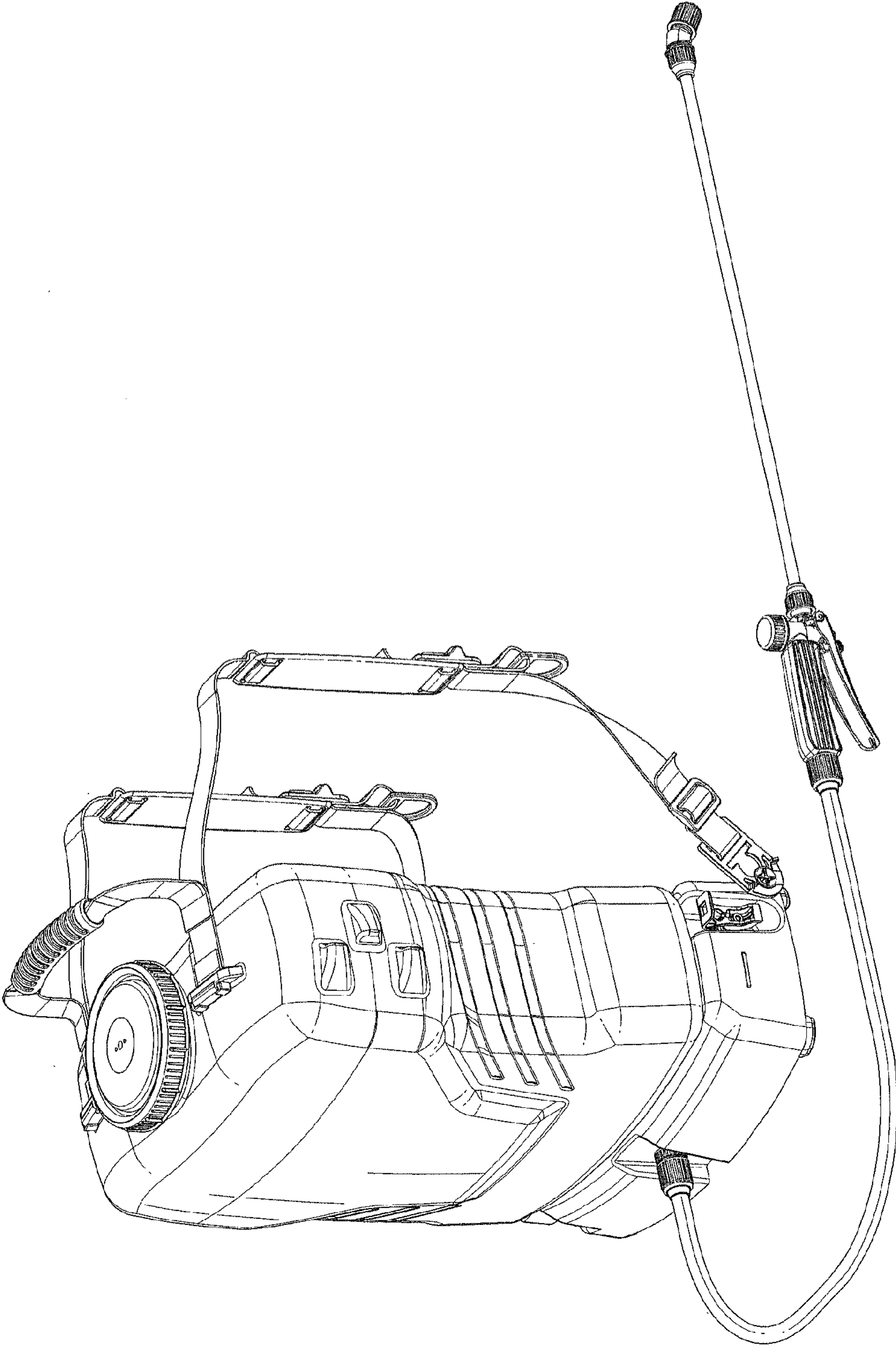


FIG.4

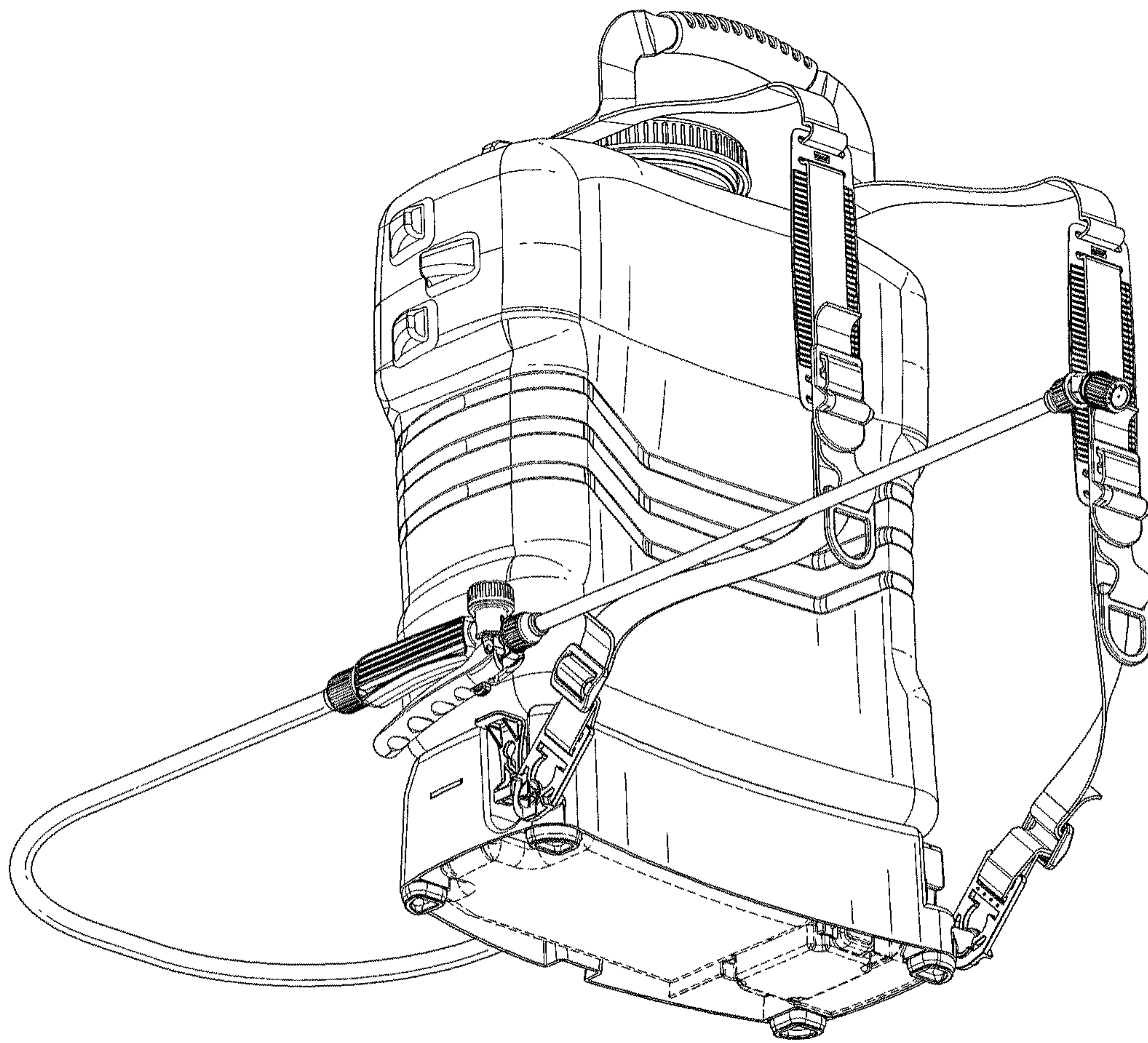


FIG. 5