



US00D749697S

(12) **United States Design Patent**
Wojan

(10) **Patent No.:** **US D749,697 S**

(45) **Date of Patent:** **** Feb. 16, 2016**

(54) **HOSE NOZZLE**

(71) Applicant: **Professional Tool Products, LLC**,
Travelers Rest, SC (US)

(72) Inventor: **Richard Glenn Wojan**, Campobello, SC
(US)

(73) Assignee: **PROFESSIONAL TOOL
PRODUCTS, LLC**, Greenville, SC (US)

(**) Term: **15 Years**

(21) Appl. No.: **29/534,505**

(22) Filed: **Jul. 29, 2015**

Related U.S. Application Data

(62) Division of application No. 29/489,753, filed on May
2, 2014, now Pat. No. Des. 736,349.

(51) **LOC (10) Cl.** **23-01**

(52) **U.S. Cl.**
USPC **D23/223**

(58) **Field of Classification Search**
USPC D23/213, 223, 226; 239/456, 459,
239/525-6

See application file for complete search history.

(56) **References Cited**

U.S. PATENT DOCUMENTS

3,093,318 A 6/1963 Chow
3,387,791 A 6/1968 Allenbaugh, Jr.
4,469,279 A 9/1984 Allenbaugh, Jr.

D456,488 S 4/2002 Bonzer
D469,503 S 1/2003 Liang
D472,300 S * 3/2003 Chen D23/213
D473,284 S 4/2003 Pong
D473,286 S 4/2003 Bonzer
D479,573 S 9/2003 Chen
D482,428 S 11/2003 Fulwider
D501,913 S * 2/2005 Chen D23/213
7,240,858 B2 7/2007 Wang
D658,268 S 4/2012 Bonzer
D677,362 S 3/2013 Christopher
D690,798 S 10/2013 Bonzer
8,794,546 B2 8/2014 Eley et al.

* cited by examiner

Primary Examiner — Robin V Webster

(74) *Attorney, Agent, or Firm* — J. Bennet Mullinax, LLC

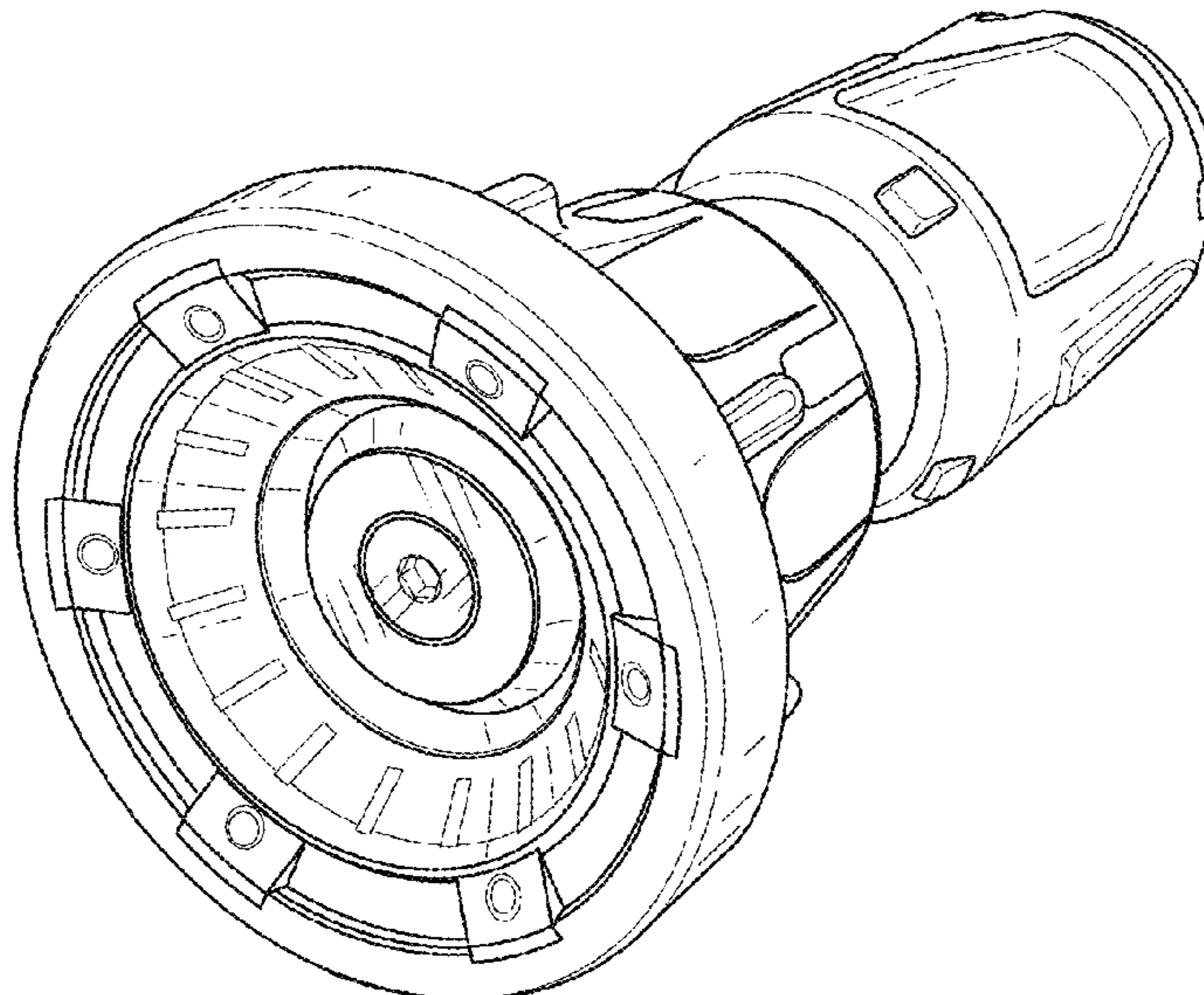
(57) **CLAIM**

The ornamental design for a hose nozzle, as shown and
described.

DESCRIPTION

FIG. 1 is front perspective view of the hose nozzle showing
my new design;
FIG. 2 is a front view of the hose nozzle as shown in FIG. 1;
FIG. 3 is a rear view of the hose nozzle as shown in FIG. 1;
FIG. 4 is a left side view of the hose nozzle as shown in FIG.
1;
FIG. 5 is a right side view of the hose nozzle as shown in FIG.
1;
FIG. 6 is a bottom view of the hose nozzle as shown in FIG.
1; and,
FIG. 7 is a top view of the hose nozzle as shown in FIG. 1.

1 Claim, 4 Drawing Sheets



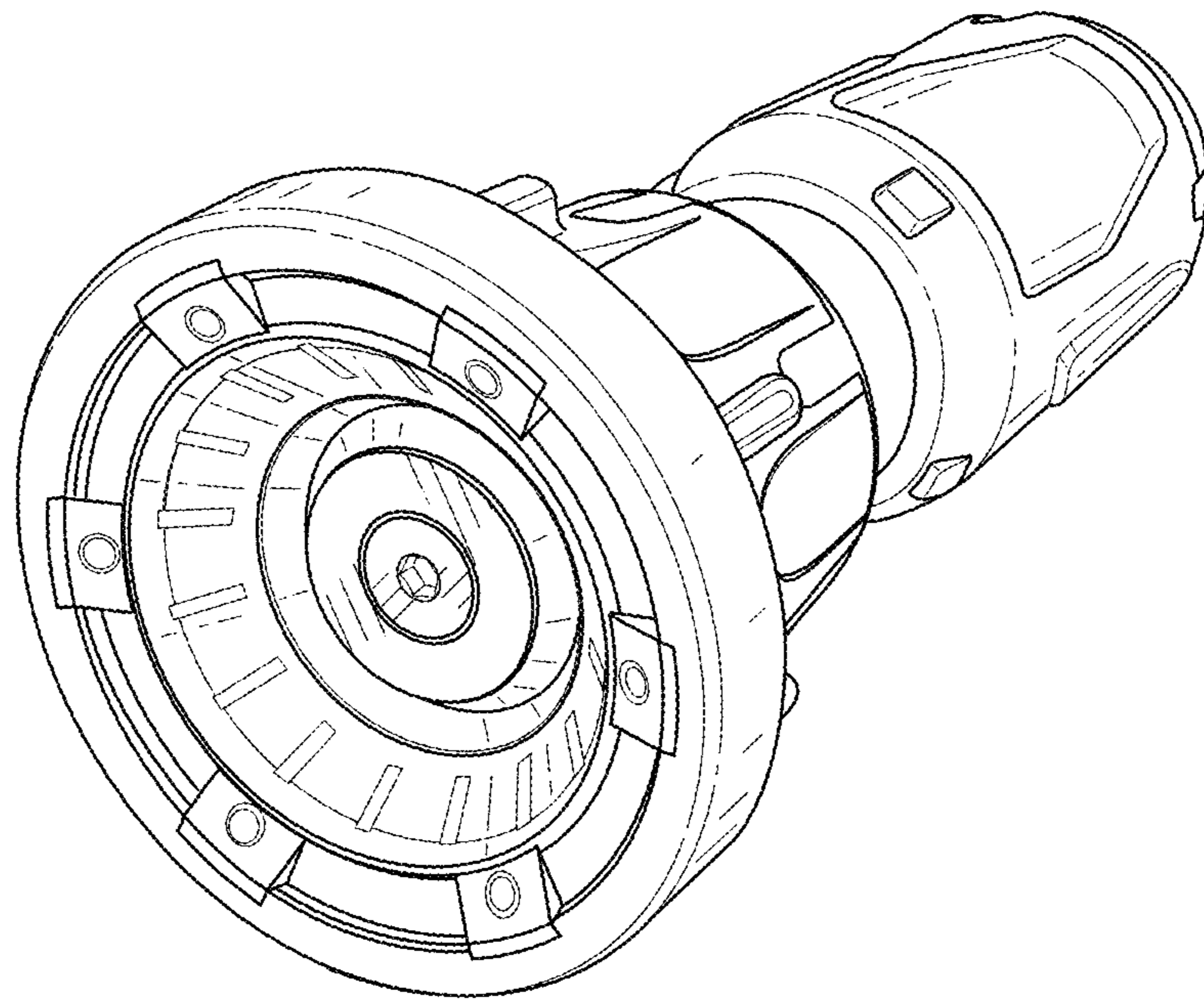


FIG. 1

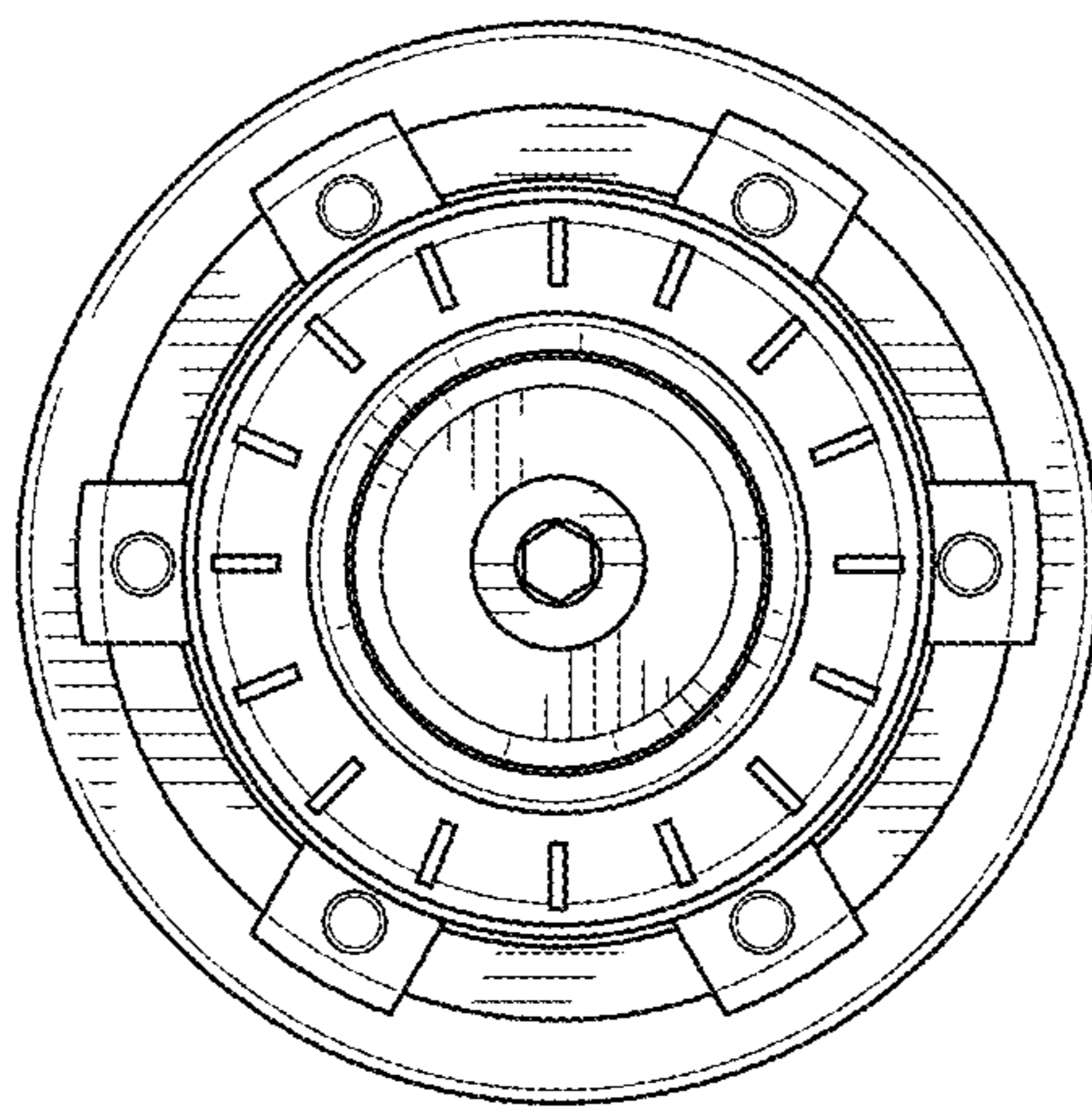


FIG. 2

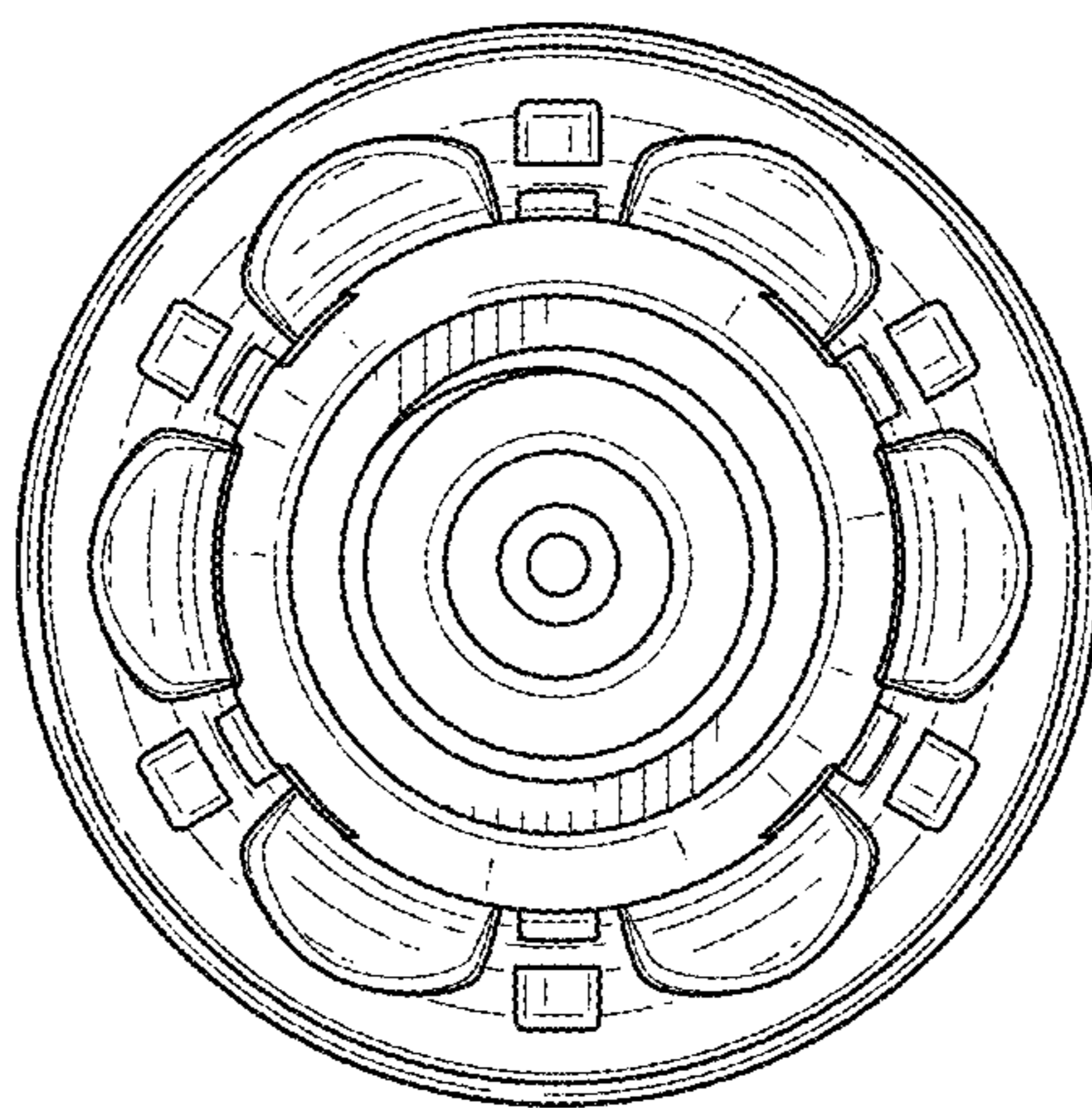


FIG. 3

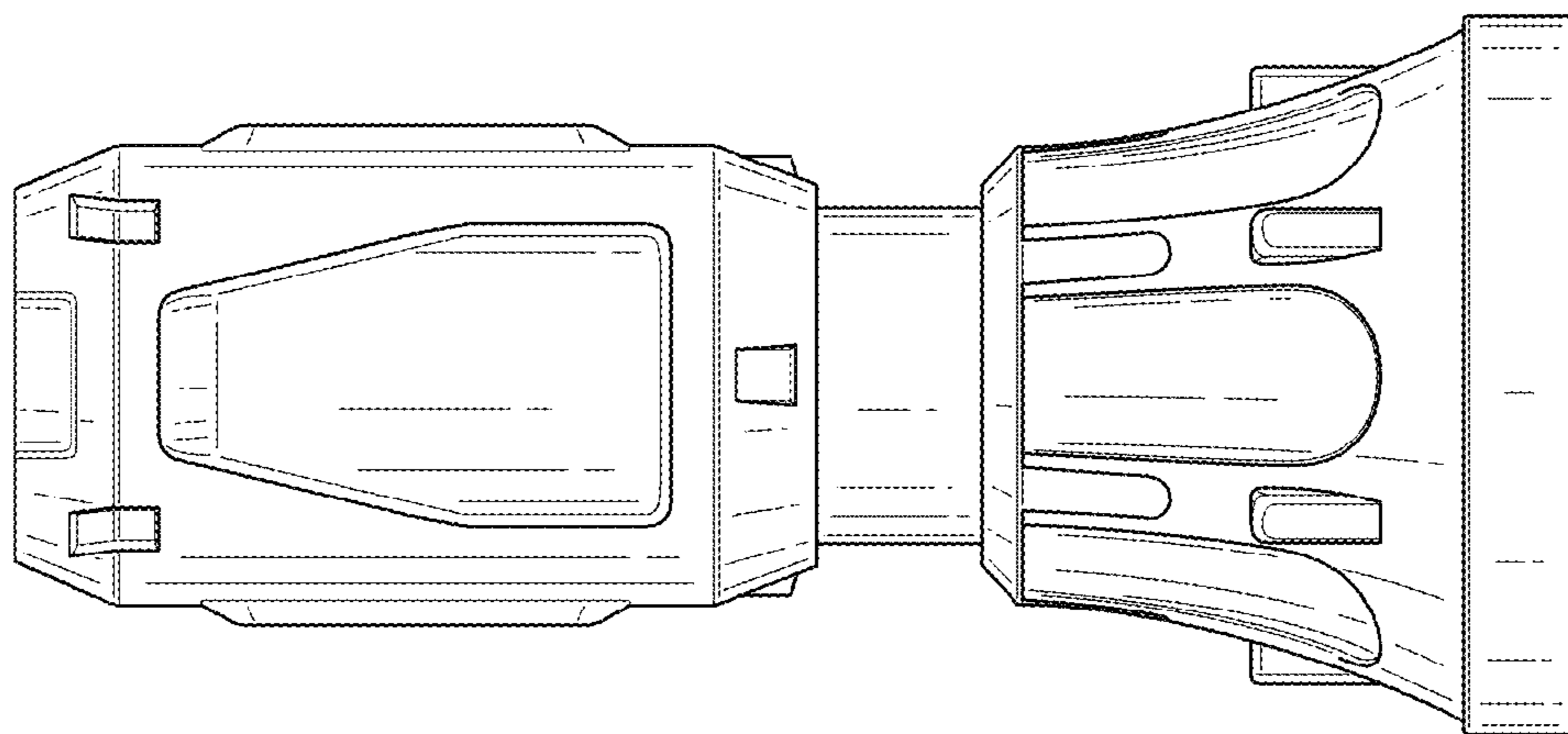


FIG. 4

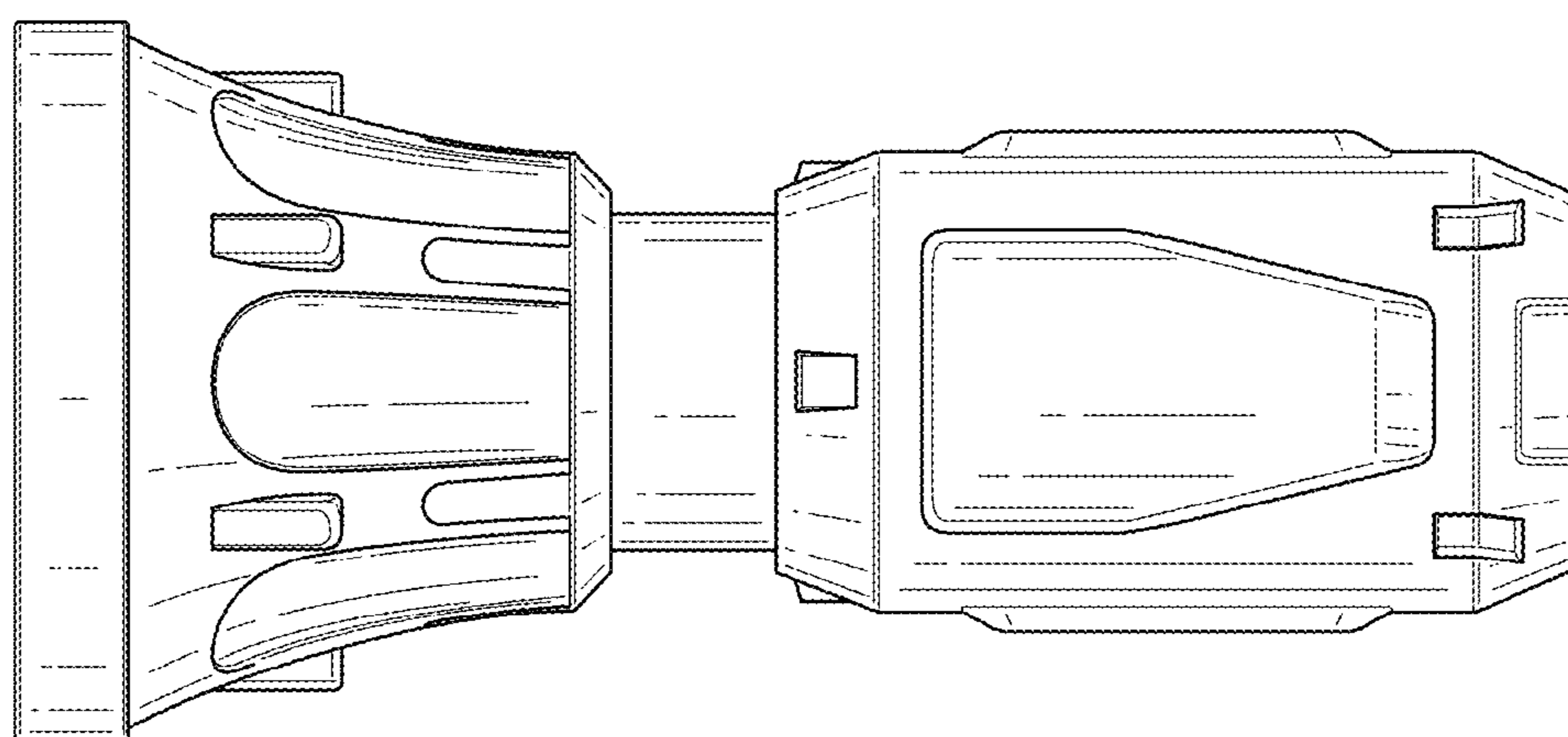


FIG. 5

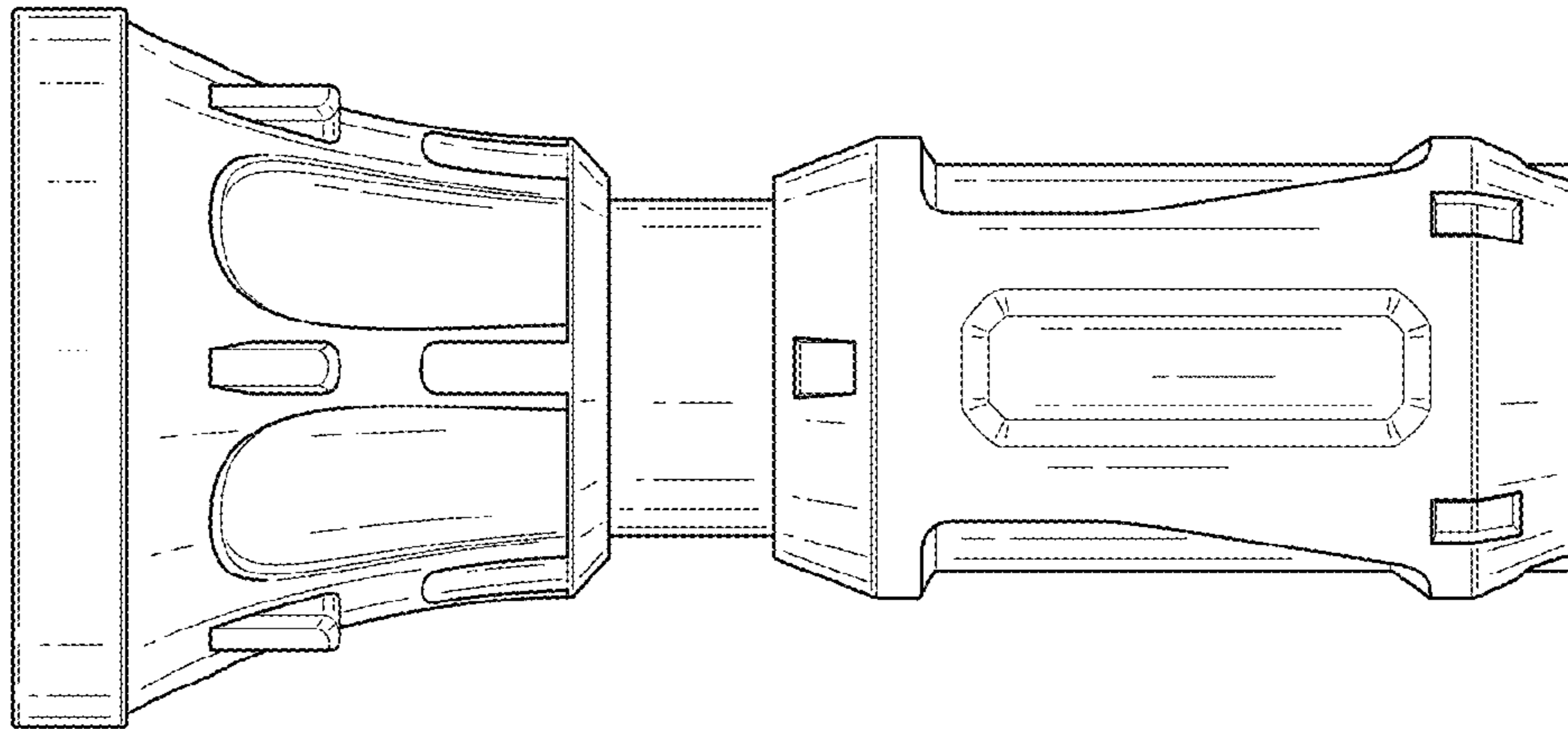


FIG. 6

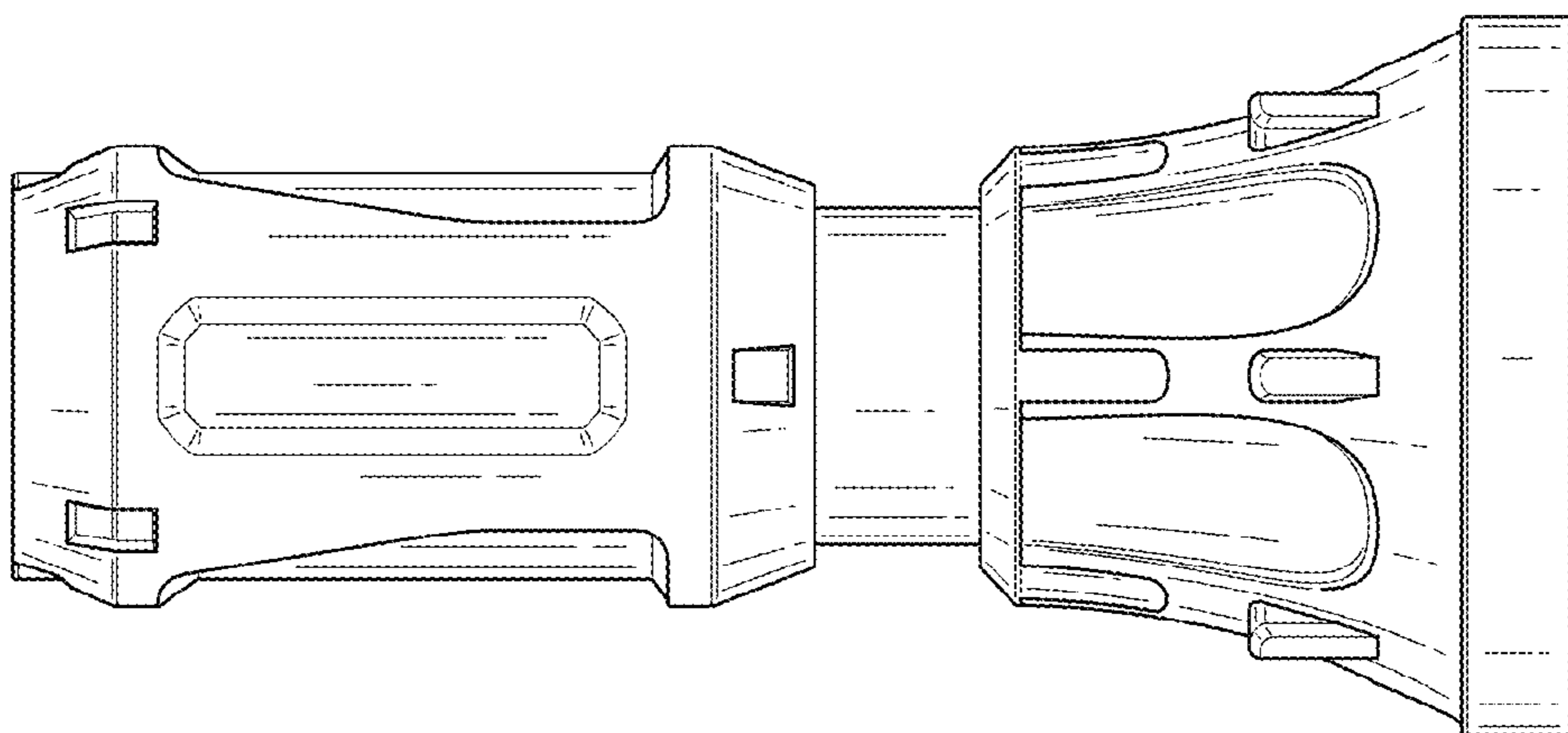


FIG. 7