



US00D749696S

(12) **United States Design Patent**
Thurgood et al.

(10) **Patent No.:** **US D749,696 S**

(45) **Date of Patent:** **** Feb. 16, 2016**

(54) **HOSE NOZZLE**

(71) Applicant: **Orbit Irrigation Products, Inc.**, North Salt Lake, UT (US)

(72) Inventors: **Jeffrey C. Thurgood**, Severance, UT (US); **Andrew M. Urry**, Herriman, UT (US)

(73) Assignee: **Orbit Irrigation Products, Inc.**, North Salt Lake, UT (US)

(**) Term: **14 Years**

(21) Appl. No.: **29/520,433**

(22) Filed: **Mar. 13, 2015**

Related U.S. Application Data

(63) Continuation of application No. 29/482,999, filed on Feb. 24, 2014, now Pat. No. Des. 726,872.

(51) **LOC (10) Cl.** **23-01**

(52) **U.S. Cl.**
USPC **D23/223**

(58) **Field of Classification Search**
USPC D23/213, 223, 226; 239/525-527, 459, 239/558, 548

See application file for complete search history.

(56) **References Cited**

U.S. PATENT DOCUMENTS

D369,207 S	4/1996	Wang
D373,813 S	9/1996	Guo
D422,339 S	4/2000	Ericksen
D422,682 S	4/2000	Ericksen
D432,628 S	10/2000	Chao

(Continued)

OTHER PUBLICATIONS

Ray Padula (The product(s) shown in Attachment A hereto were disclosed, sold or offered for sale on or before May of 2008.).
Orbit Irrigation Products, Inc. (The product(s) shown in Attachment B hereto were disclosed, sold or offered for sale on or before November of 2008).

(Continued)

Primary Examiner — Robin V Webster

(74) *Attorney, Agent, or Firm* — Austin Rapp & Hardman

(57) **CLAIM**

The ornamental design for a hose nozzle, as shown and described.

DESCRIPTION

FIG. 1 is an elevated perspective view of an embodiment of a hose nozzle, according to our new design;

FIG. 2 is a front view of the embodiment of the hose nozzle shown in FIG. 1;

FIG. 3 is a rear view of the embodiment of the hose nozzle shown in FIG. 1;

FIG. 4 is a top view of the embodiment of the hose nozzle shown in FIG. 1;

FIG. 5 is a bottom view of the embodiment of the hose nozzle shown in FIG. 1;

FIG. 6 is a first side view of the embodiment of the hose nozzle shown in FIG. 1; and

FIG. 7 is a second side view of the embodiment of the hose nozzle shown in FIG. 1;

FIG. 8 is an elevated perspective view of another embodiment of a hose nozzle, according to our new design;

FIG. 9 is a front view of the embodiment of the hose nozzle shown in FIG. 8;

FIG. 10 is a rear view of the embodiment of the hose nozzle shown in FIG. 8;

FIG. 11 is a top view of the embodiment of the hose nozzle shown in FIG. 8;

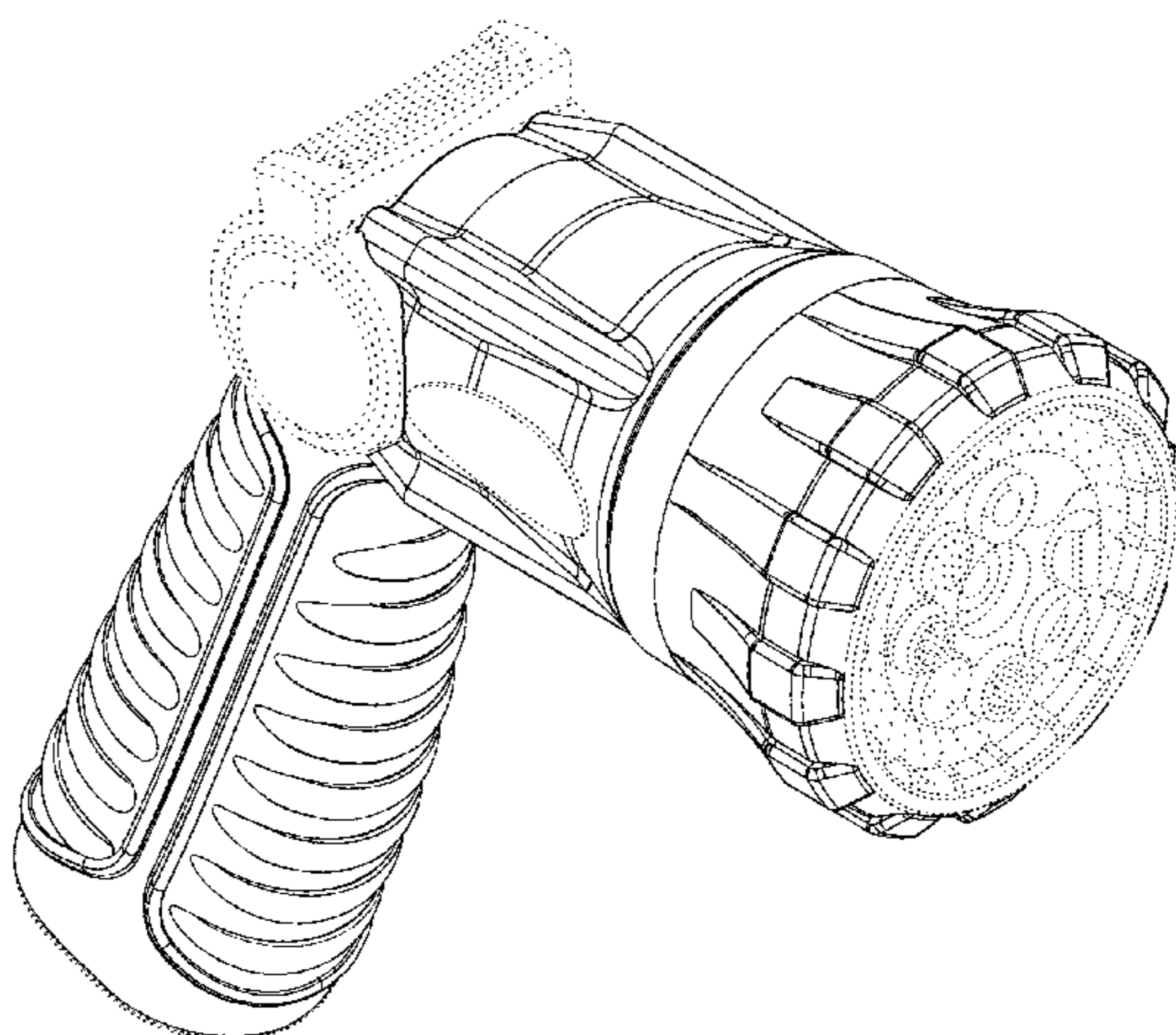
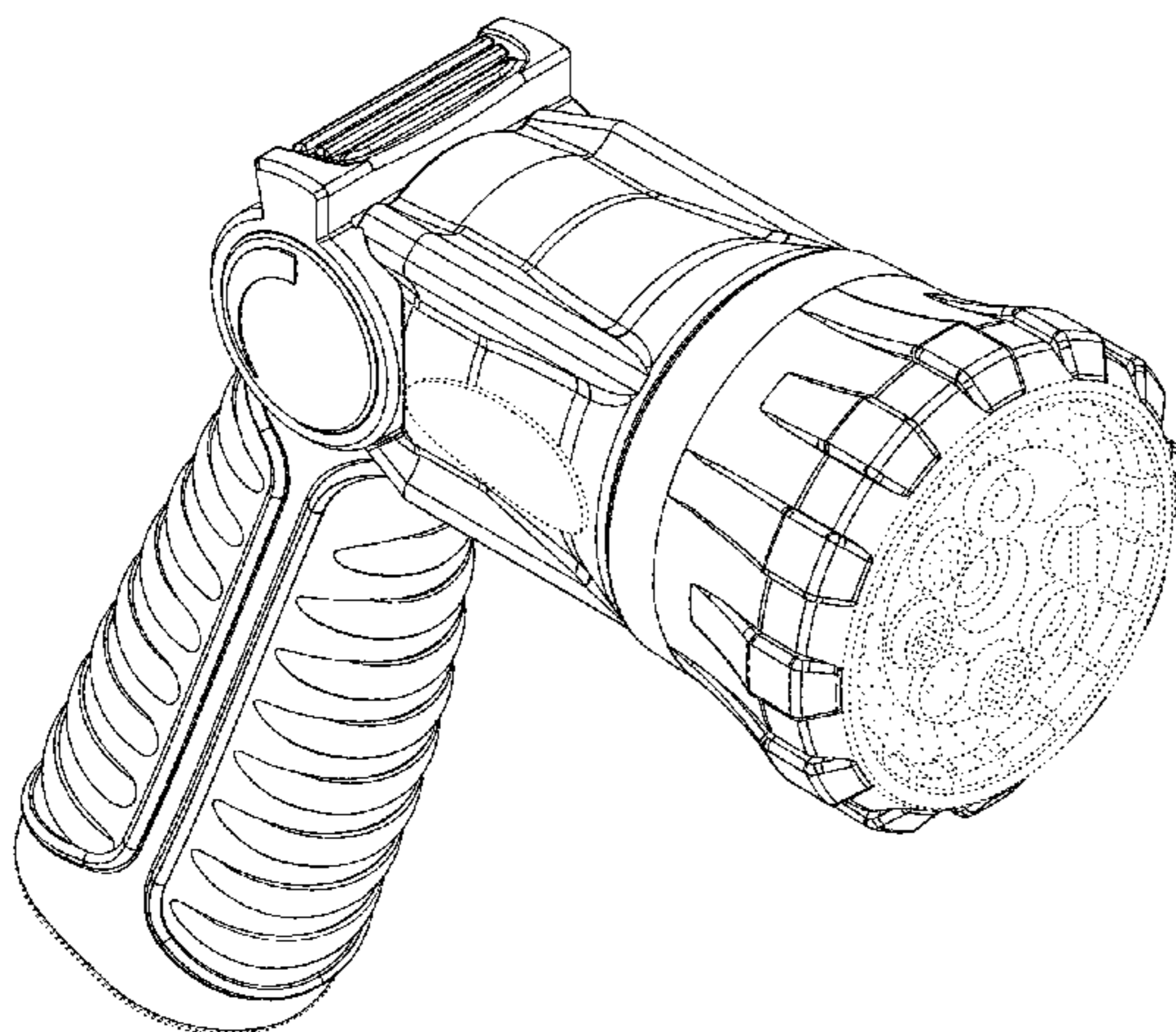
FIG. 12 is a bottom view of the embodiment of the hose nozzle shown in FIG. 8;

FIG. 13 is a first side view of the embodiment of the hose nozzle shown in FIG. 8; and,

FIG. 14 is a second side view of the embodiment of the hose nozzle shown in FIG. 8.

The portions shown in broken lines form no part of the claimed design. Regions surrounded by broken lines are also unclaimed.

1 Claim, 10 Drawing Sheets



(56)

References Cited

U.S. PATENT DOCUMENTS

6,216,965	B1	4/2001	Chao
6,260,774	B1	7/2001	Erickson
D451,981	S	12/2001	Ericksen
D455,817	S	4/2002	Huang
D461,228	S	8/2002	Huang
6,592,057	B1	7/2003	Ericksen
D482,428	S	11/2003	Fulwider
D494,656	S	8/2004	Hudman
D495,026	S	8/2004	Fulwider
D498,515	S	11/2004	Wilson
D677,362	S	3/2013	Christopher
D726,872	S	4/2015	Thurgood et al.

OTHER PUBLICATIONS

Orbit Irrigation Products, Inc. (The product(s) shown in Attachment C hereto were disclosed, sold or offered for sale on or before December of 2009).

Flexon Industries (The product(s) shown in Attachment D hereto were disclosed, sold or offered for sale on or before June of 2011).

Melnor, Inc. (The product(s) shown in Attachment E hereto were disclosed, sold or offered for sale on or before April of 2013).

Melnor, Inc. (The product(s) shown in Attachment F hereto were disclosed, sold or offered for sale on or before before April of 2013).

Gilmour Ltd. (The product(s) shown in Attachment G hereto were disclosed, sold or offered for sale on or before April of 2013).

Gilmour Ltd. (The product(s) shown in Attachment H hereto were disclosed, sold or offered for sale on or before April of 2013).

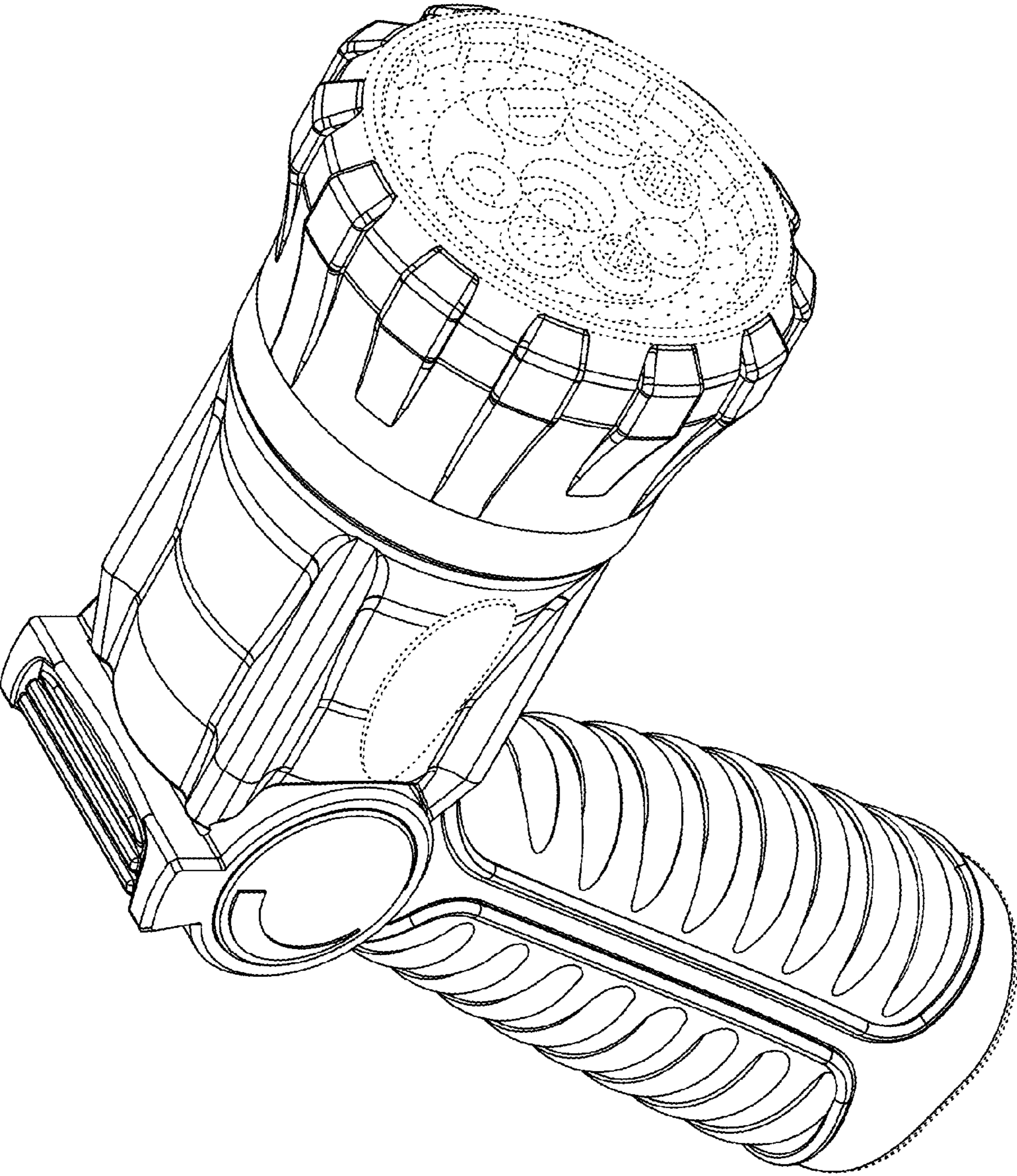


FIG. 1

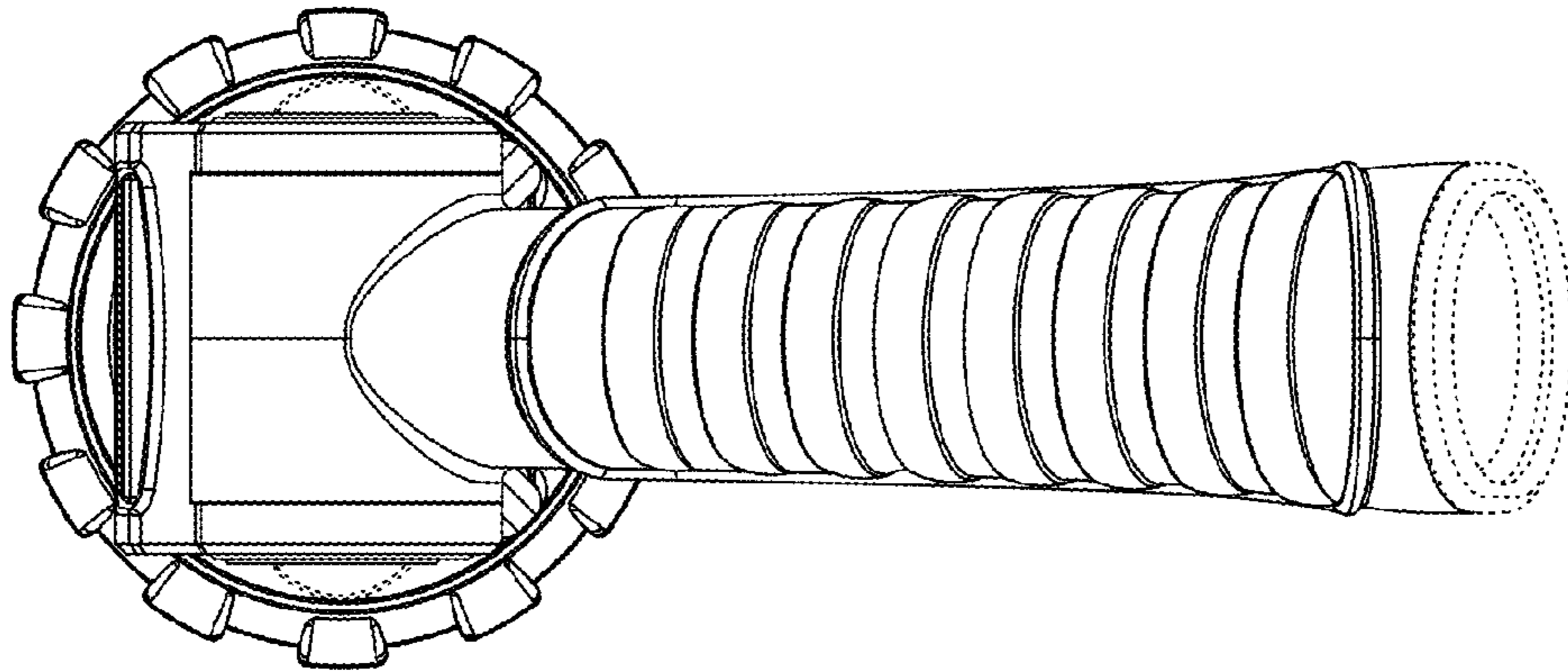


FIG. 3

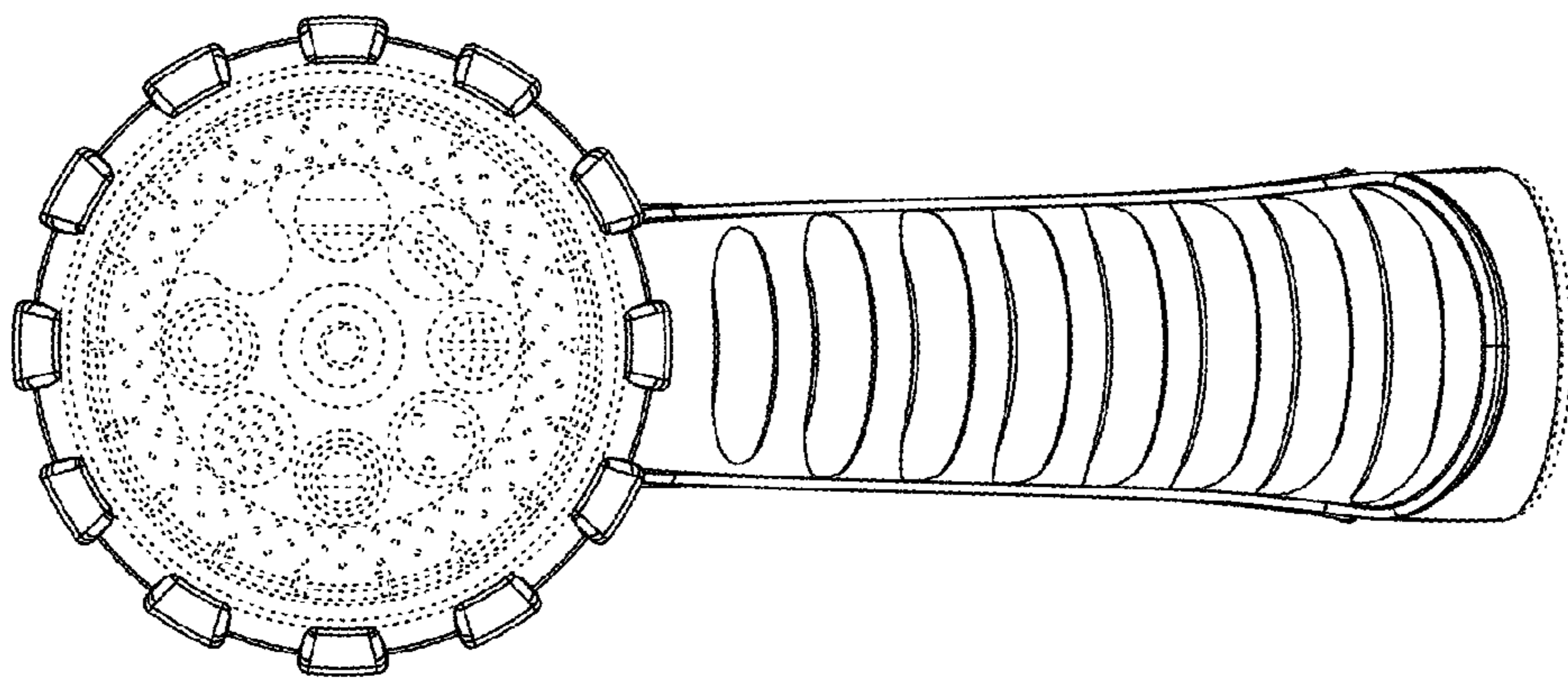


FIG. 2

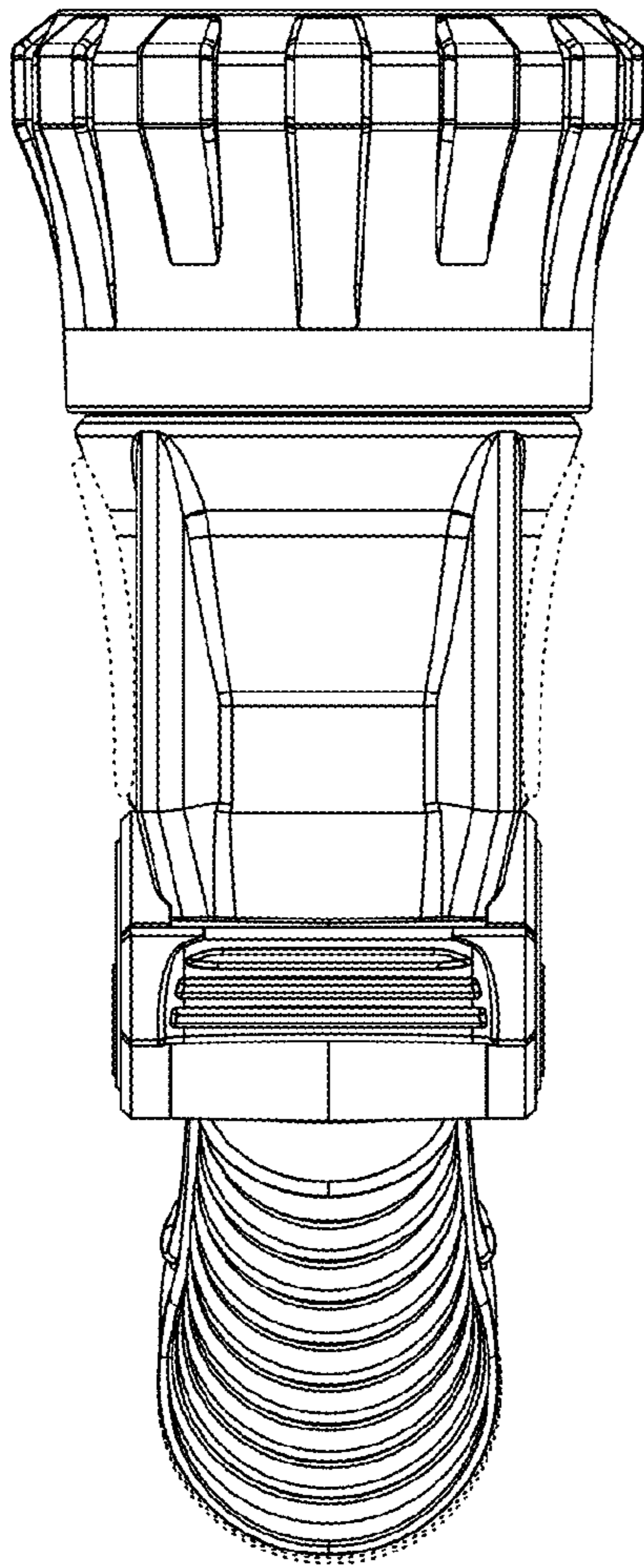


FIG. 4

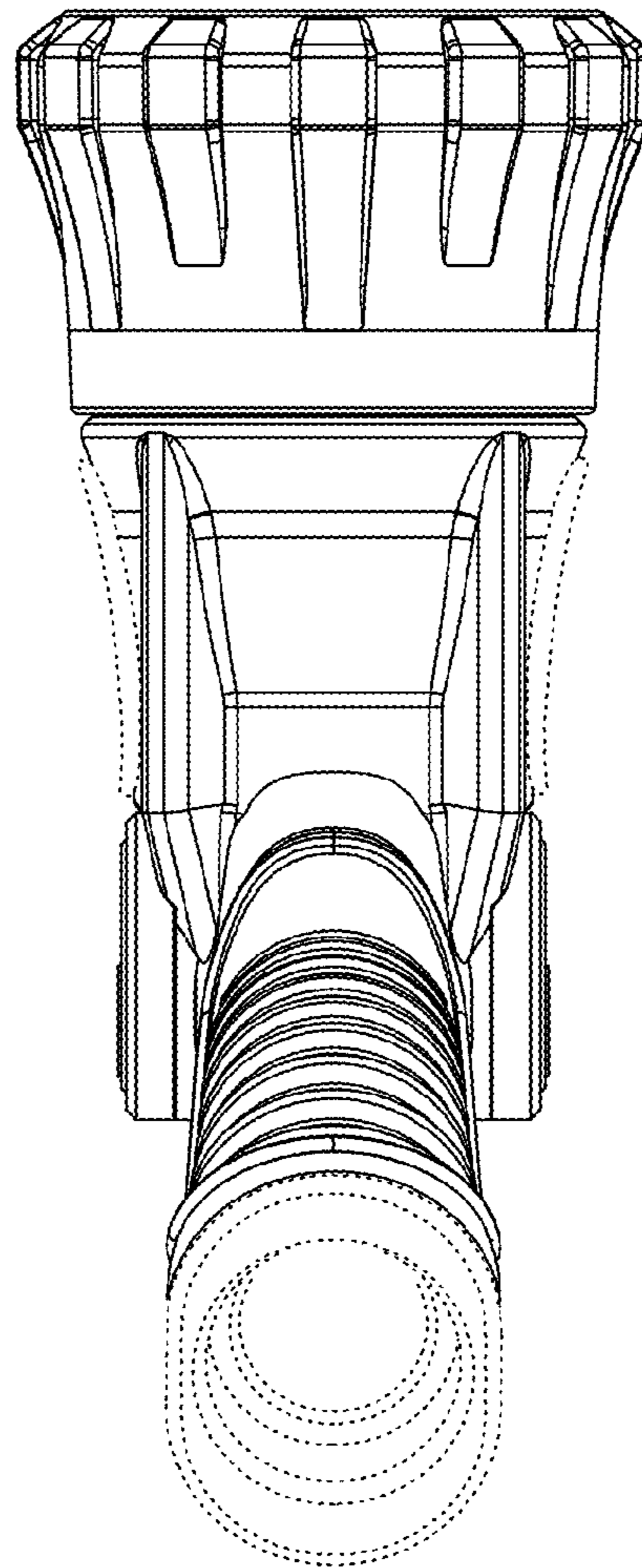


FIG. 5

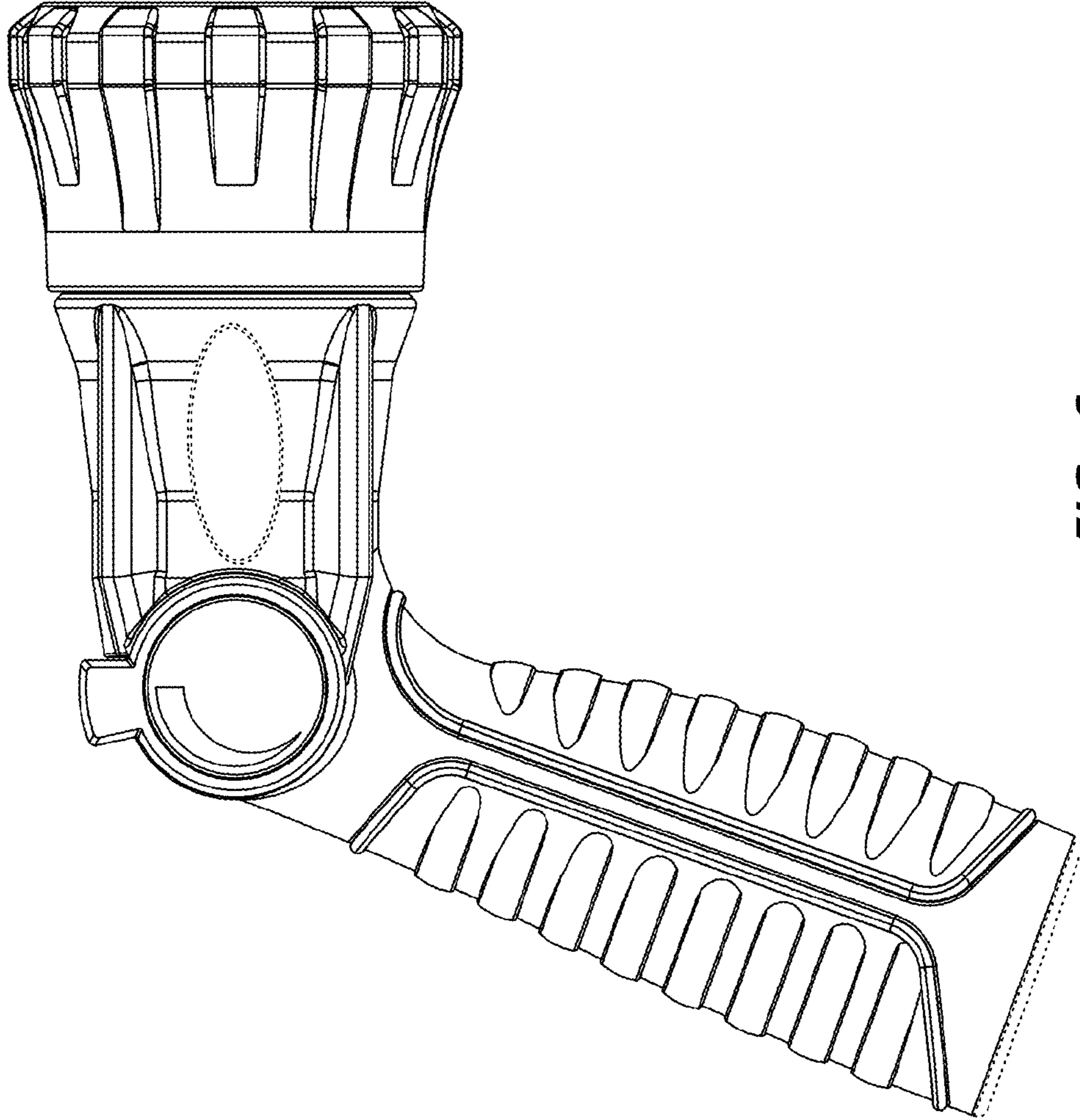


FIG. 6

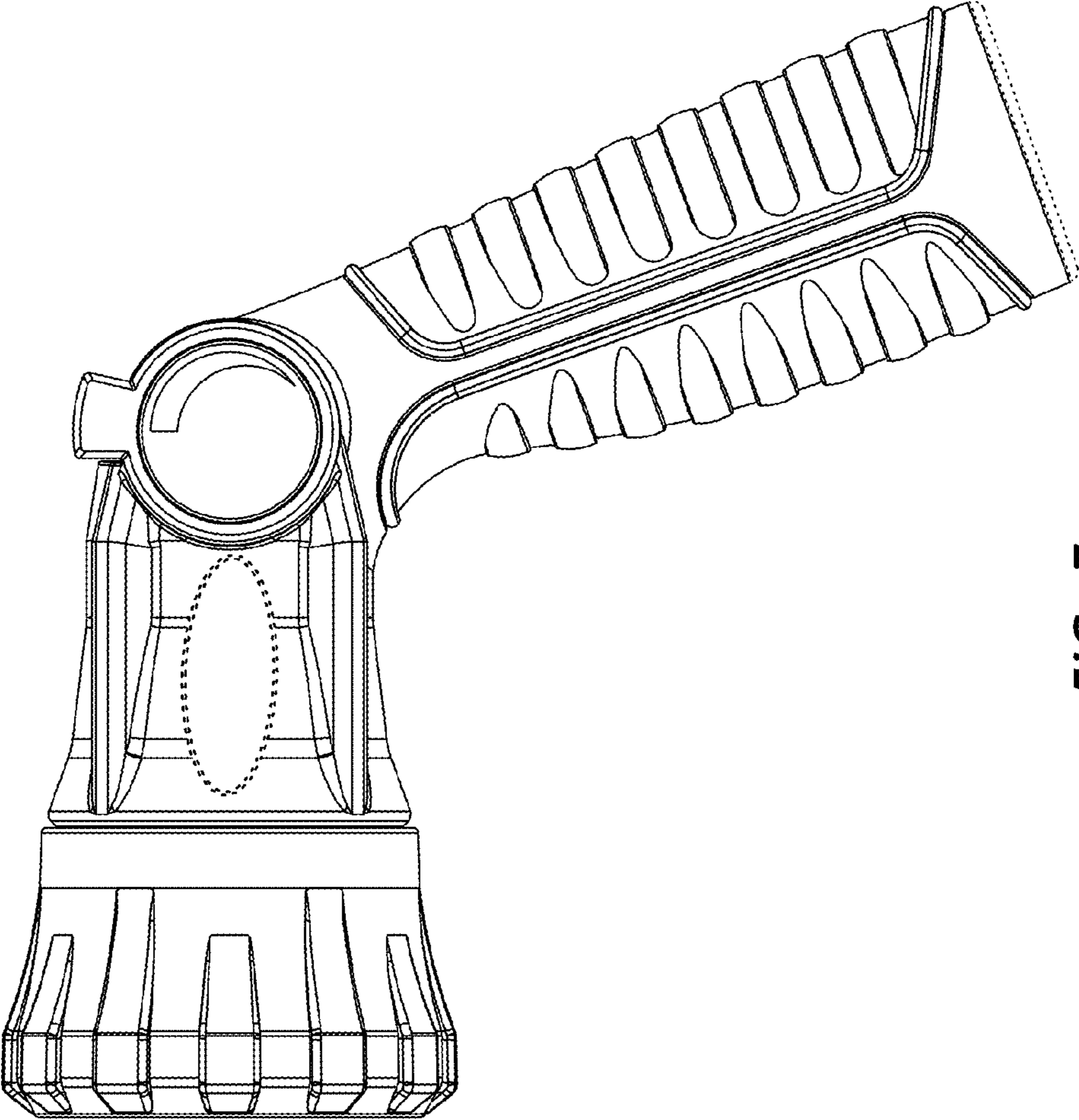


FIG. 7

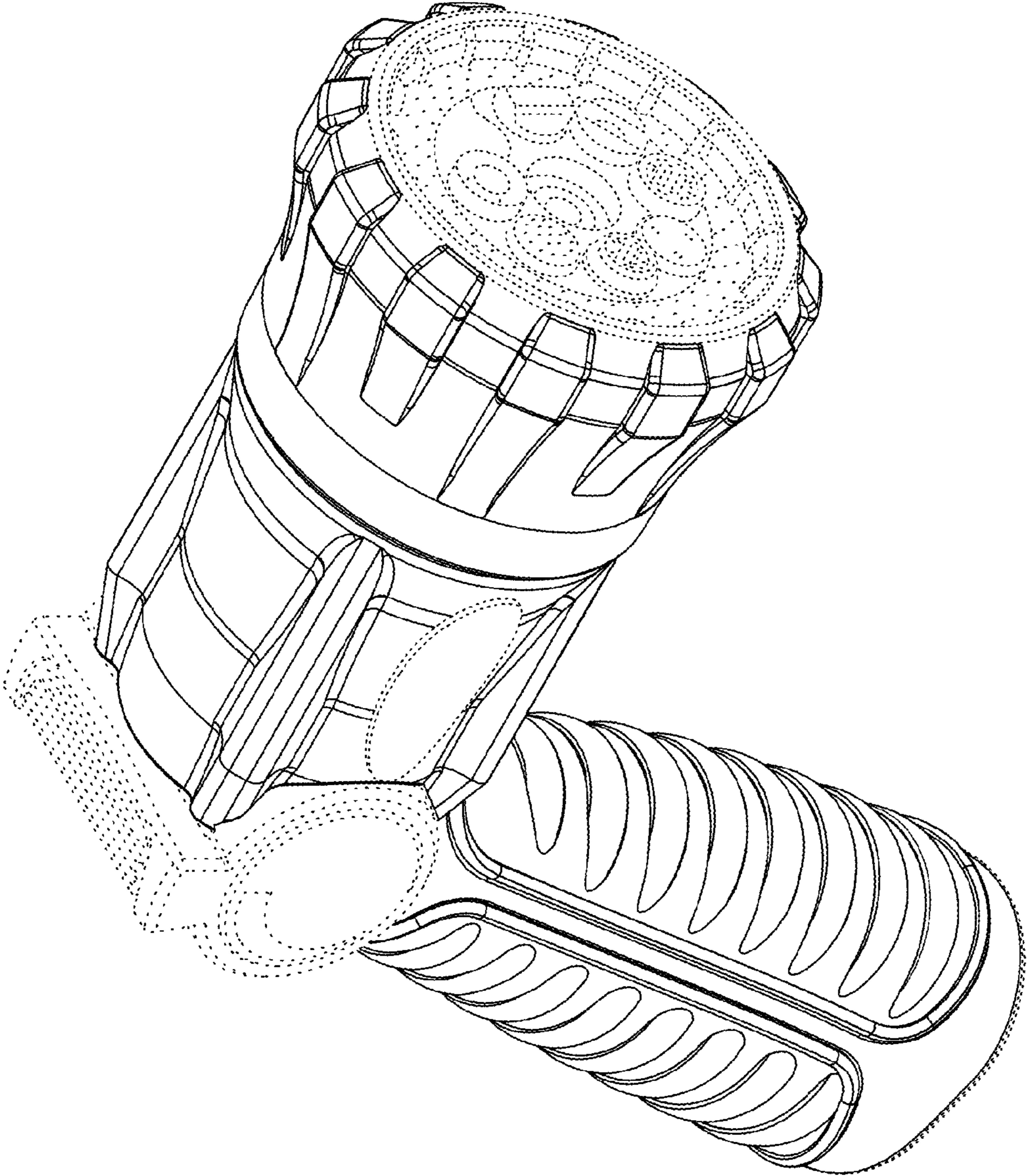


FIG. 8

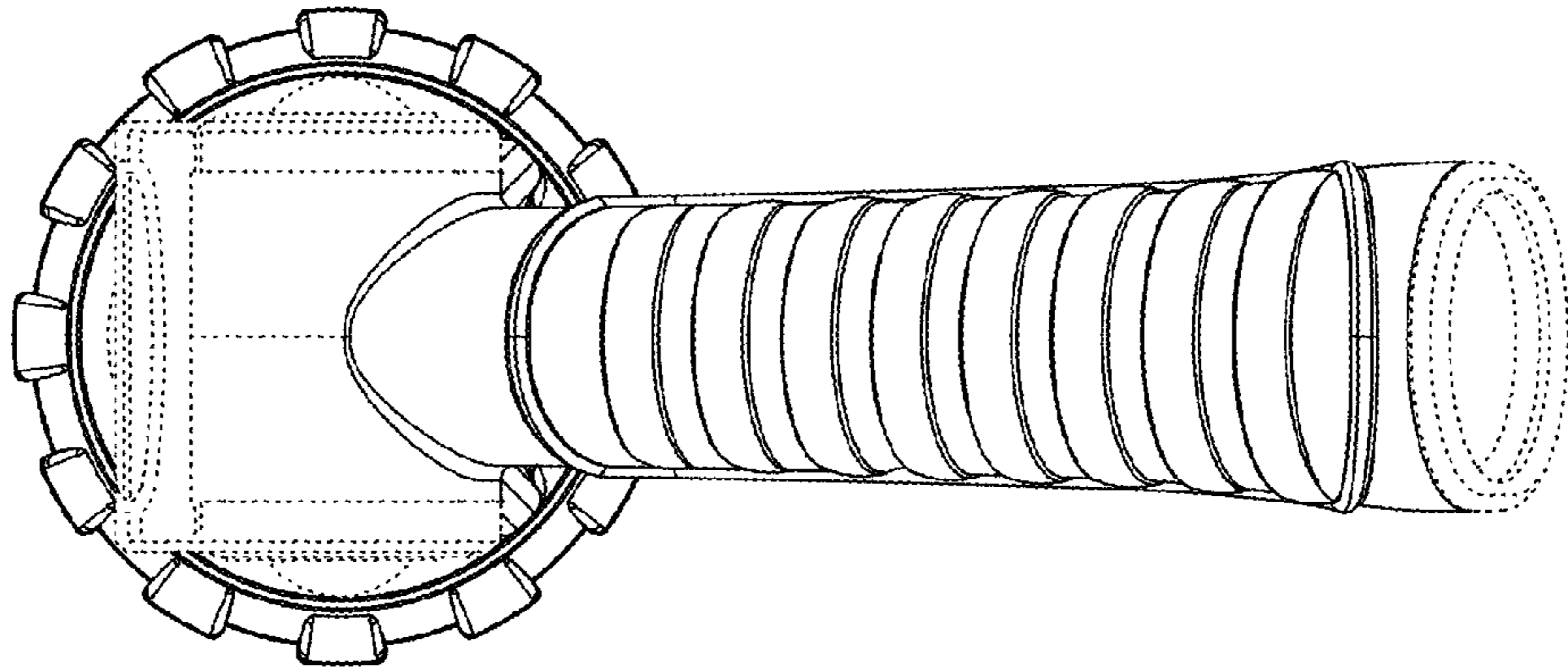


FIG. 10

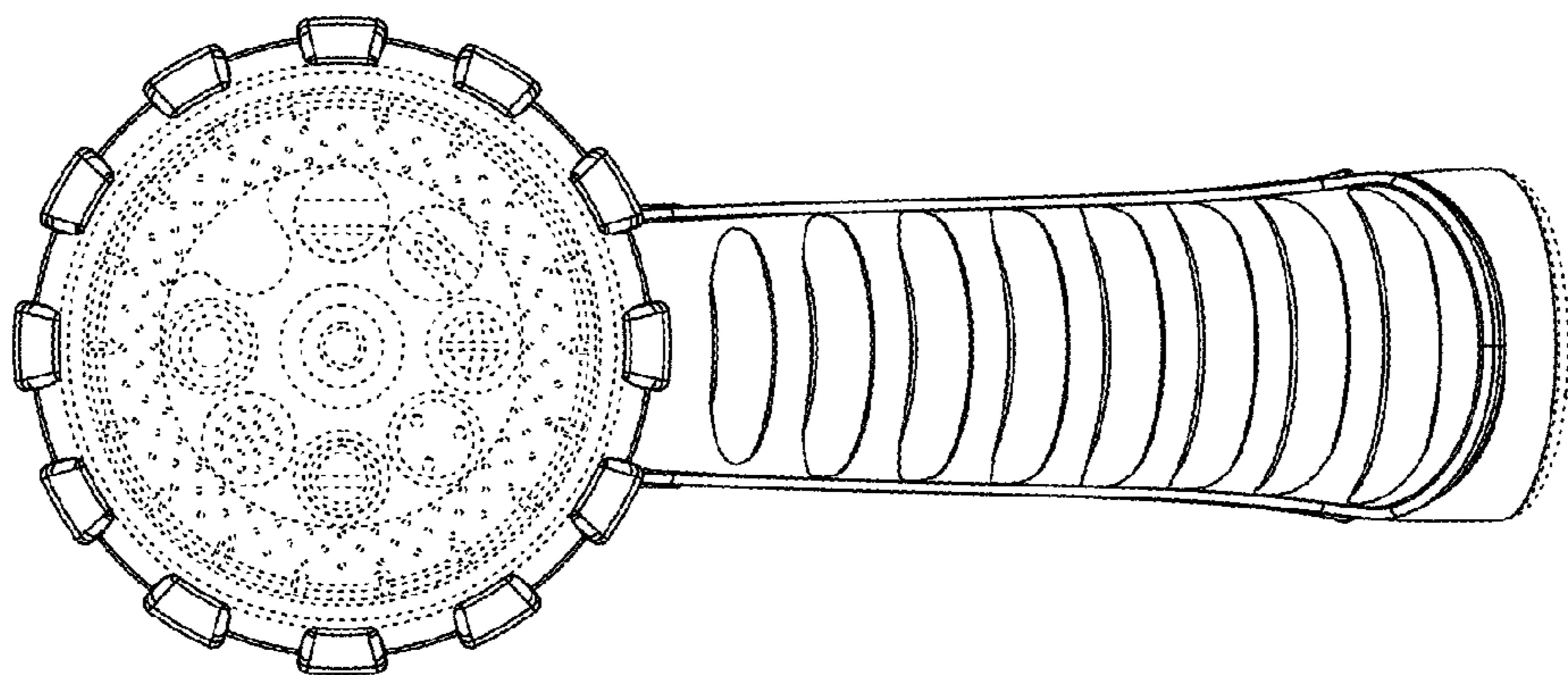


FIG. 9

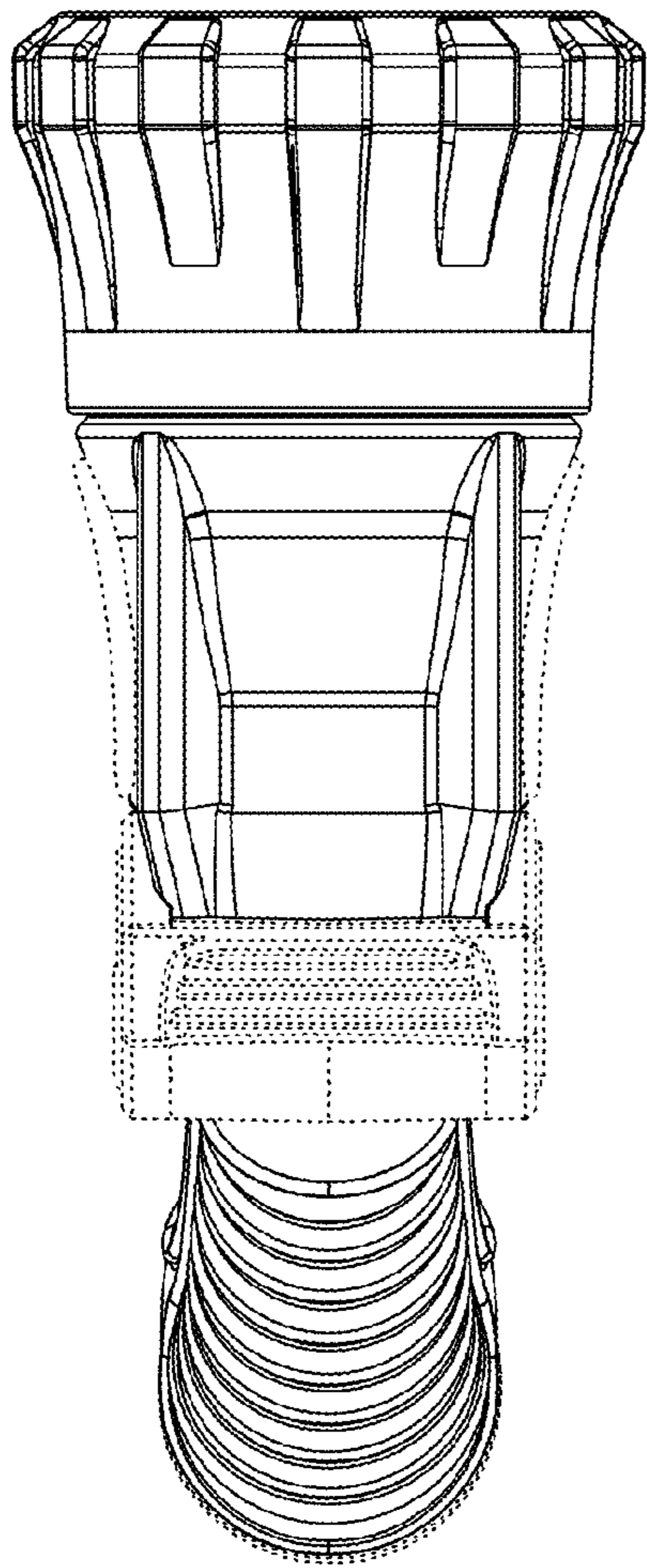


FIG. 11

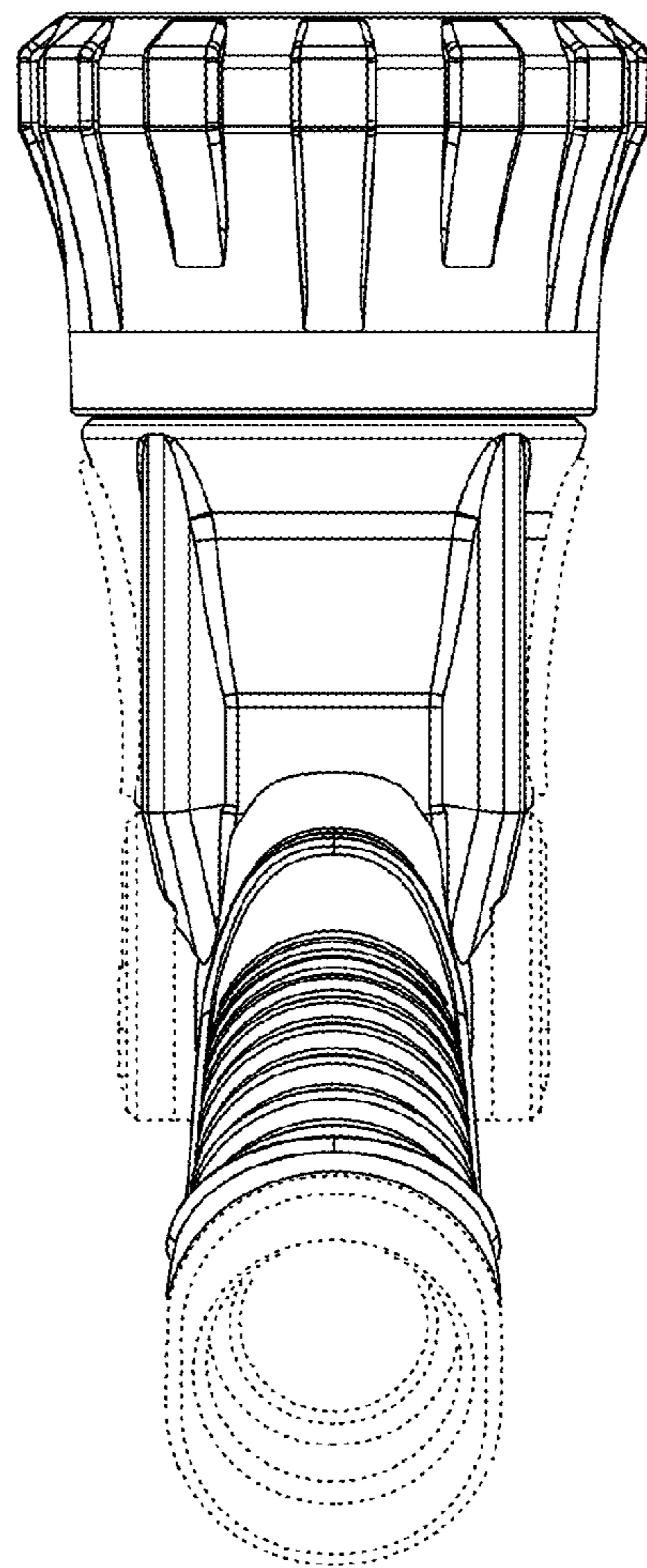


FIG. 12

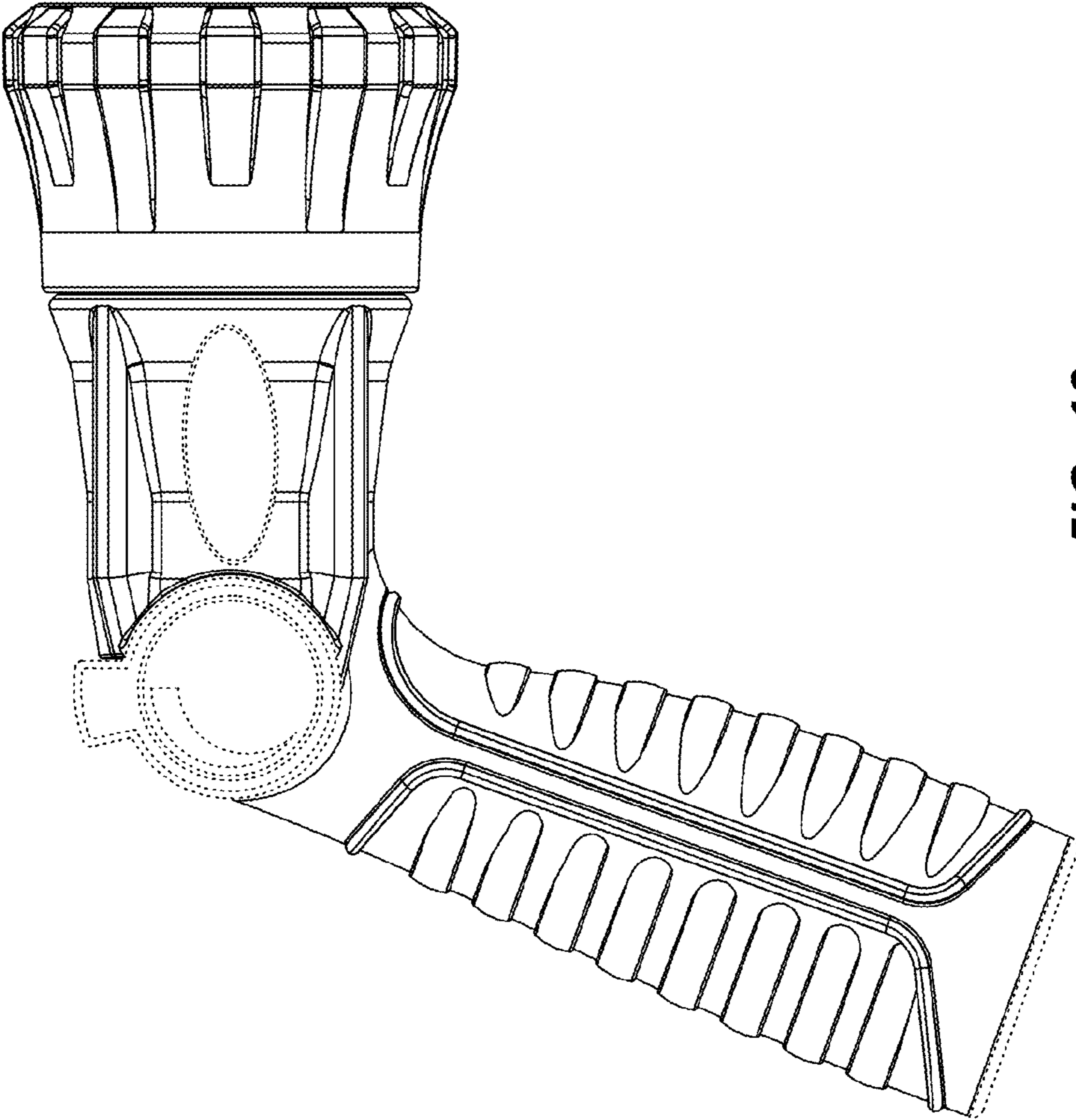


FIG. 13

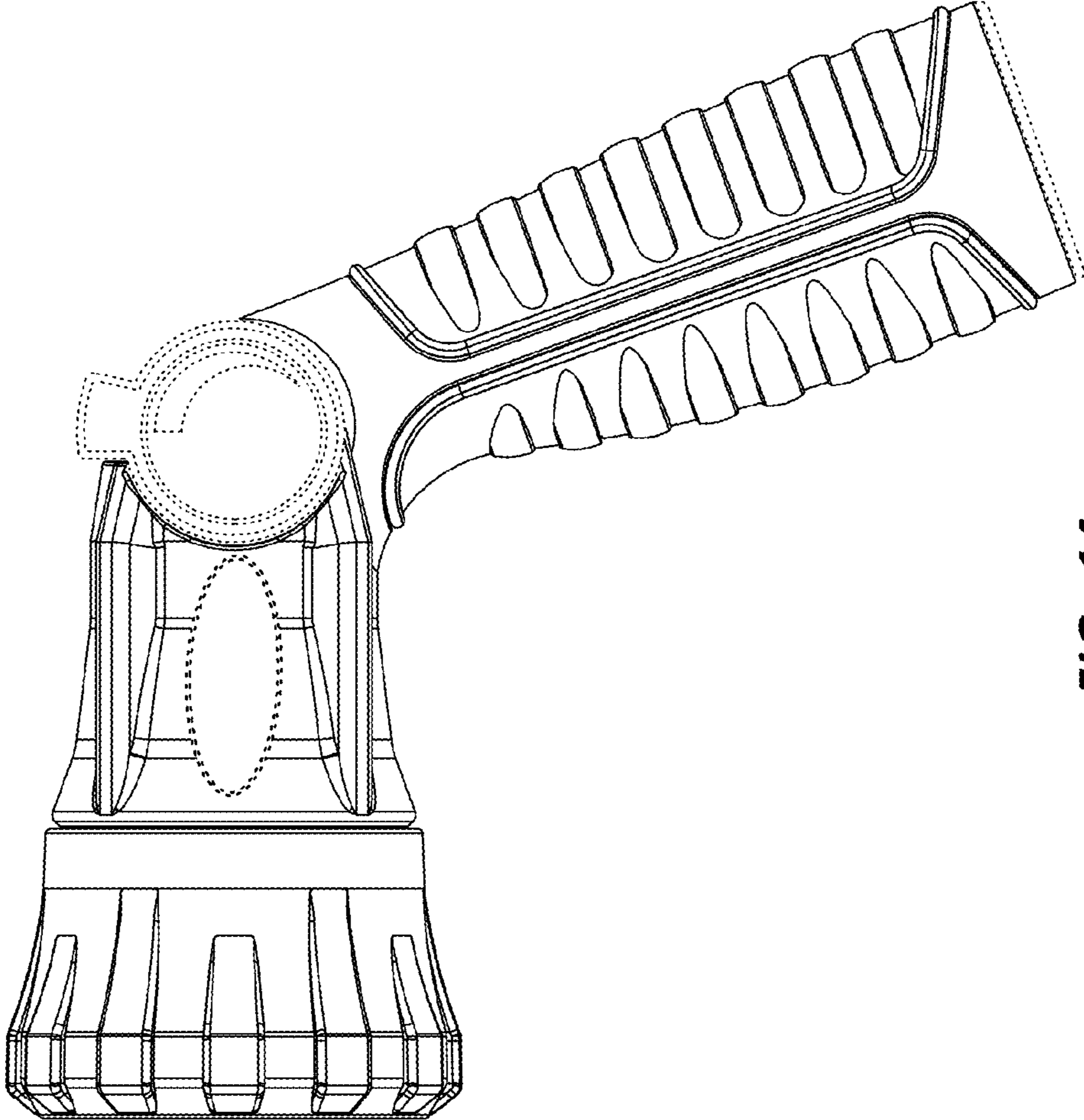


FIG. 14