



US00D749694S

(12) **United States Design Patent**  
**Madsen**

(10) **Patent No.:** **US D749,694 S**  
(45) **Date of Patent:** **\*\* Feb. 16, 2016**

(54) **SHOWER HEAD**  
(71) Applicant: **VOLA A/S**, Horsens (DK)  
(72) Inventor: **Torben Madsen**, Aarhus C (DK)  
(73) Assignee: **VOLA A/S**, Horsens (DK)  
(\*\*) Term: **14 Years**  
(21) Appl. No.: **29/514,696**  
(22) Filed: **Jan. 15, 2015**

(30) **Foreign Application Priority Data**

Jul. 17, 2014 (EM) ..... 002503862-0001

(51) **LOC (10) Cl.** ..... **23-01**

(52) **U.S. Cl.**  
USPC ..... **D23/213**

(58) **Field of Classification Search**  
USPC ..... D23/213, 229, 230, 201; 239/282, 283,  
239/211, 587.1-587.5, 566; 4/615  
CPC ..... B05B 1/18; B05B 1/00; B05B 15/08;  
B05B 3/00  
See application file for complete search history.

(56) **References Cited**

**U.S. PATENT DOCUMENTS**

D471,953 S 3/2003 Colligan et al.  
D475,433 S 6/2003 Citterio

D512,120 S 11/2005 Haug et al.  
D524,406 S 7/2006 Hoernig  
D524,904 S 7/2006 Hoernig  
D549,302 S 8/2007 Haug et al.  
D556,855 S 12/2007 Müllenmeister et al.  
D559,952 S 1/2008 Bickler et al.  
D559,953 S 1/2008 Bickler et al.  
D565,155 S 3/2008 Müenmeister et al.  
D630,706 S 1/2011 Giggs et al.  
8,240,583 B2 8/2012 Cristina  
D672,010 S 12/2012 Verdeflor et al.  
D694,856 S 12/2013 Madsen  
D710,973 S \* 8/2014 Madsen ..... D23/229

\* cited by examiner

*Primary Examiner* — Robin V Webster

(74) *Attorney, Agent, or Firm* — Buchanan Ingersoll & Rooney PC

(57) **CLAIM**

The ornamental design for a shower head, as shown and described.

**DESCRIPTION**

FIG. 1 is a bottom perspective view of a shower head showing my new design.

FIG. 2 is a top perspective view thereof.

FIG. 3 is a bottom plan view thereof.

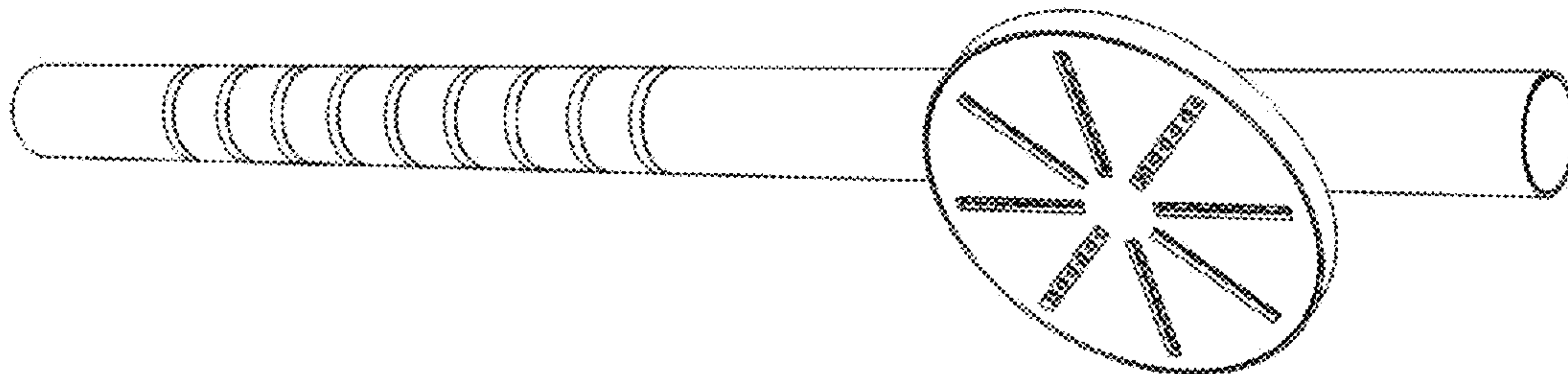
FIG. 4 is a side elevational view thereof.

FIG. 5 is a top plan view thereof.

FIG. 6 is a rear elevational view thereof; and,

FIG. 7 is a front elevational view thereof.

**1 Claim, 4 Drawing Sheets**



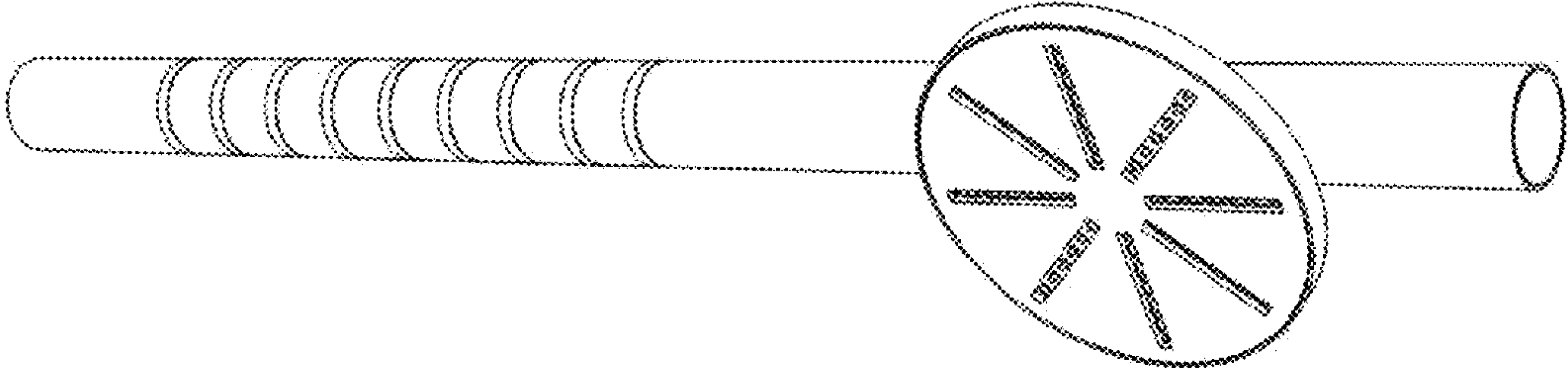


FIG. 1

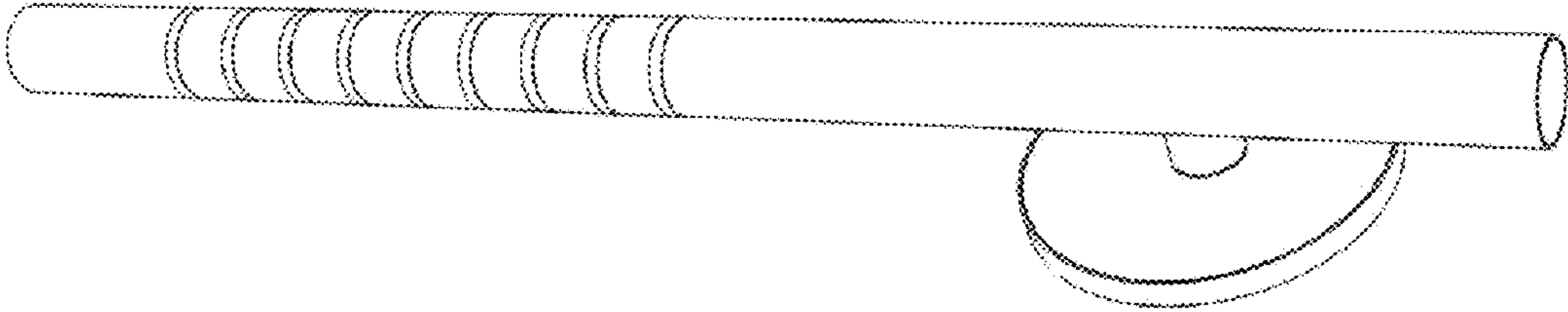


FIG. 2

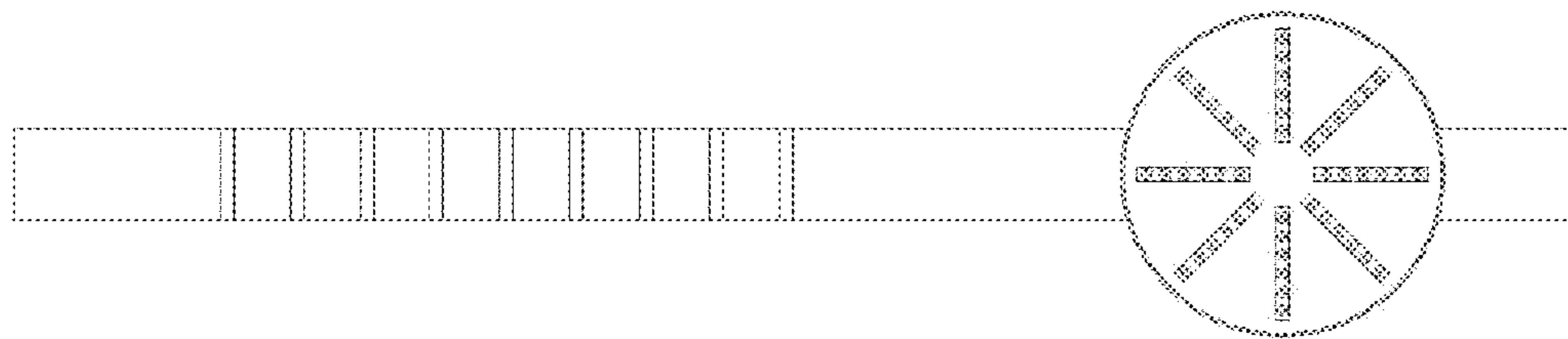


FIG. 3

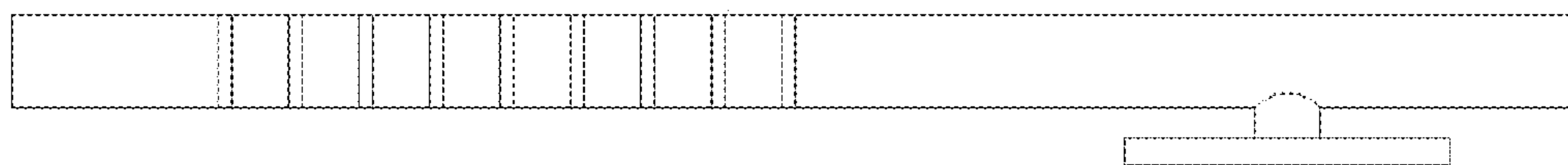


FIG. 4

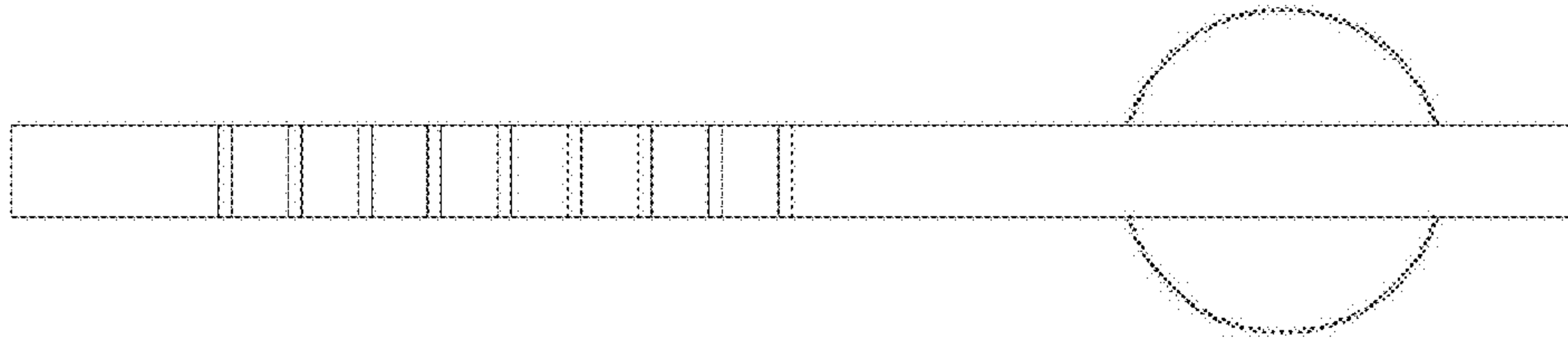


FIG. 5

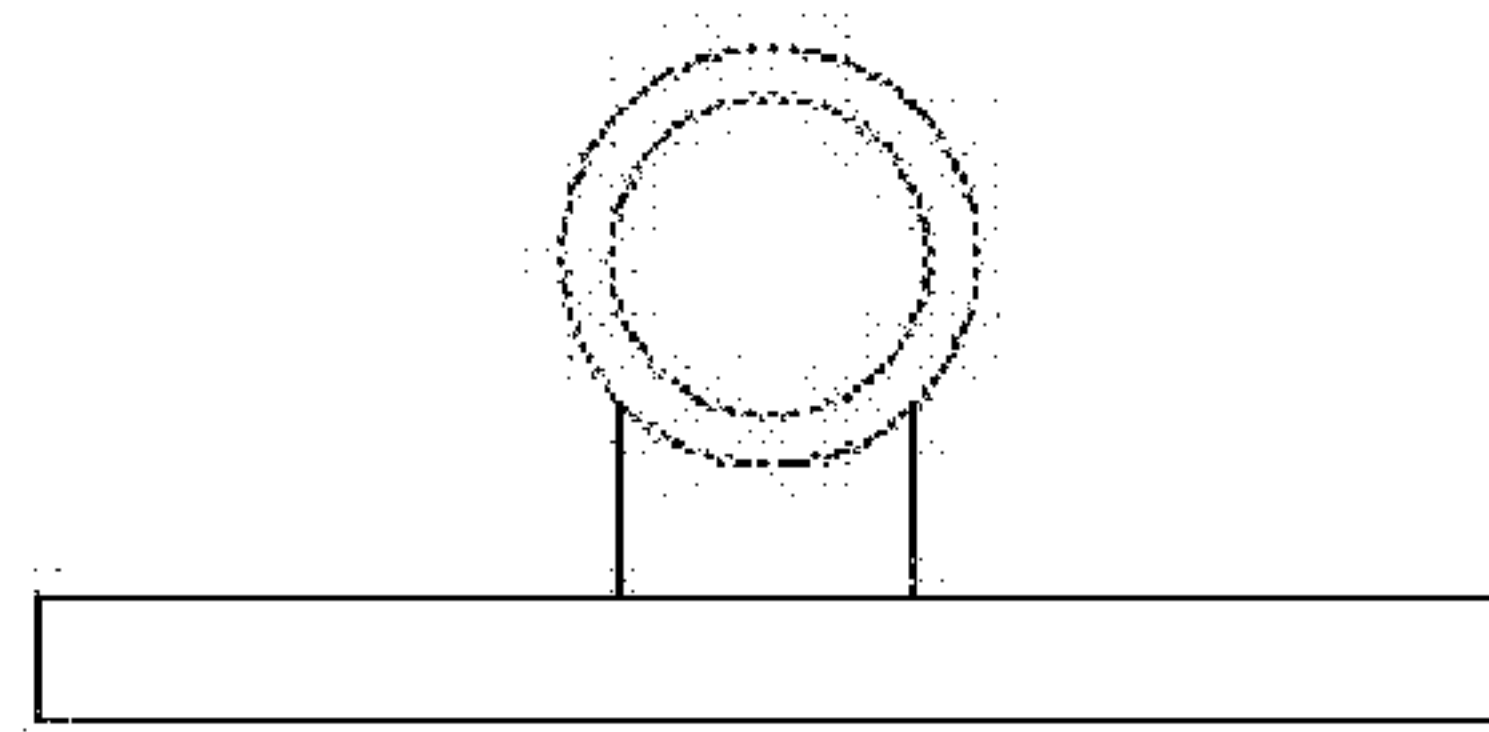
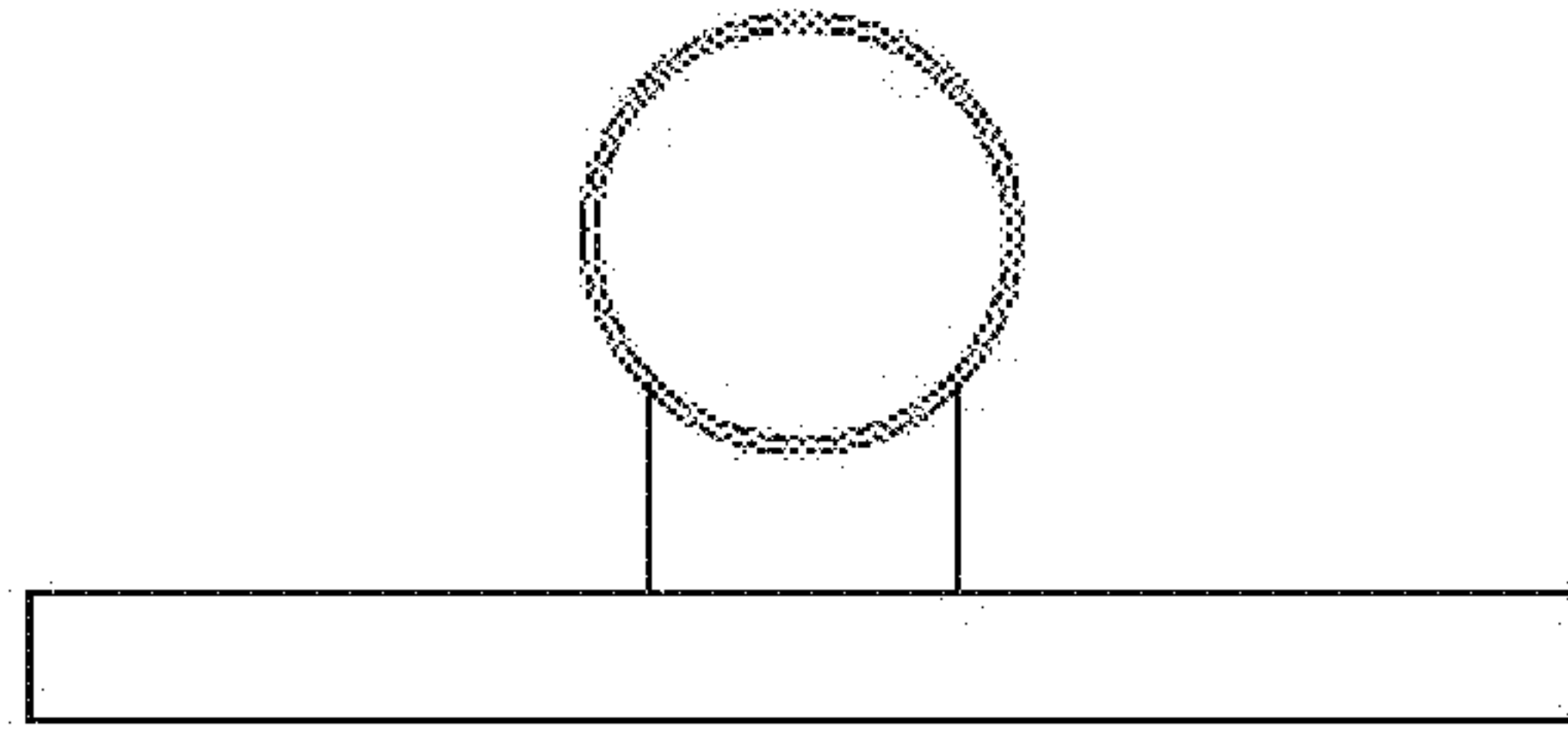


FIG. 6



**FIG. 7**