



US00D749693S

(12) **United States Design Patent**  
**Evans et al.**

(10) **Patent No.:** **US D749,693 S**  
(45) **Date of Patent:** **\*\* Feb. 16, 2016**

- (54) **SPRAY DEVICE NOZZLE**
- (71) Applicant: **Talley Group Limited**, Romsey (GB)
- (72) Inventors: **Christopher Peter Evans**, Romsey (GB); **John James Henry Evans**, Romsey (GB)
- (73) Assignee: **TALLEY GROUP LIMITED**, Romsey (GB)
- (\*\*) Term: **14 Years**
- (21) Appl. No.: **29/513,408**
- (22) Filed: **Dec. 30, 2014**

D307,112	S	4/1990	Huck	
D337,368	S	7/1993	Berfield et al.	
6,000,633	A *	12/1999	Lund	B05B 1/00 222/108
6,089,477	A	7/2000	Dillon	
6,729,558	B1	5/2004	Seenauth	
7,128,283	B1 *	10/2006	Shahin	B05B 1/042 239/591
D532,863	S *	11/2006	Mather	D23/213
D532,864	S *	11/2006	Mather	D23/213
D547,416	S	7/2007	Hillhouse	
D567,897	S	4/2008	Hillhouse	
D568,439	S *	5/2008	Fulkerson	D23/213
D569,477	S *	5/2008	Fulkerson	D23/213
7,367,518	B2 *	5/2008	Tanigaki	B05B 1/042 239/592
D570,447	S	6/2008	Hillhouse	
7,648,087	B2 *	1/2010	Horn	B05B 1/02 239/594
7,757,964	B2 *	7/2010	Hansson	B05B 7/025 138/104
D639,903	S *	6/2011	Plotzitzka	D23/213
8,079,534	B2 *	12/2011	Fecht	B05B 1/042 239/590.5
D670,356	S *	11/2012	Sanwald	D23/213
D705,894	S *	5/2014	Williams	D23/213

**Related U.S. Application Data**

- (62) Division of application No. 29/453,206, filed on Apr. 26, 2013, now Pat. No. Des. 728,067.

**Foreign Application Priority Data**

- Oct. 31, 2012 (EP) ..... 001349930

- (51) **LOC (10) Cl.** ..... **23-01**
- (52) **U.S. Cl.**  
USPC ..... **D23/213**
- (58) **Field of Classification Search**  
USPC ..... D23/213, 223, 226, 225; 239/290, 291,  
239/526, 690, 691, 597, 601; 361/227, 228  
CPC ..... B05B 1/00  
See application file for complete search history.

**References Cited**

**U.S. PATENT DOCUMENTS**

1,875,992	A	9/1932	Clifford
2,162,057	A	6/1939	Brandt et al.
4,801,088	A	1/1989	Baker

\* cited by examiner

*Primary Examiner* — Robin V Webster

(74) *Attorney, Agent, or Firm* — Westman, Champlin & Koehler, P.A.; Z. Peter Sawicki

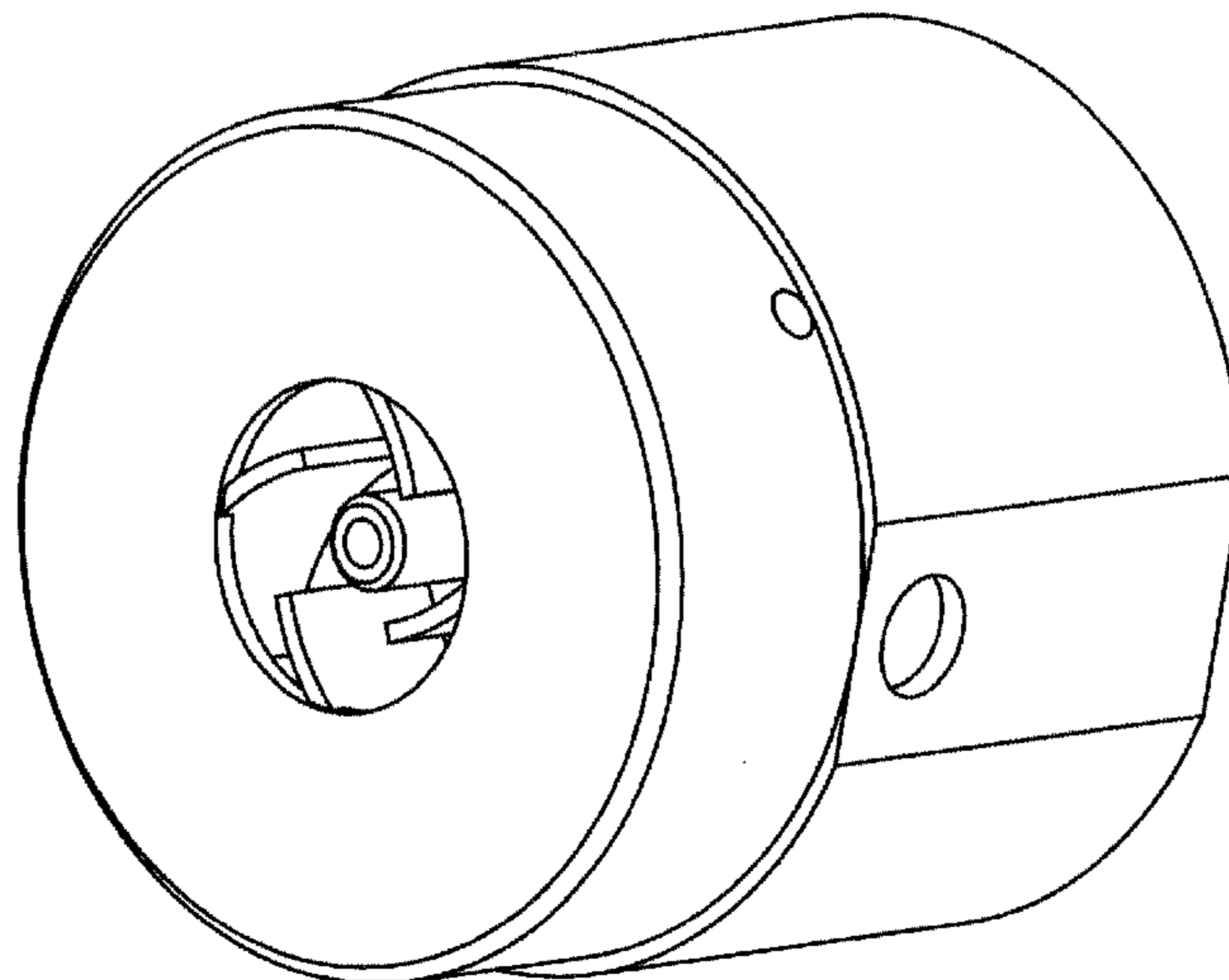
(57) **CLAIM**

The ornamental design for a spray device nozzle, as shown and described.

**DESCRIPTION**

FIG. 1 is perspective view of a spray device nozzle; FIG. 2 is a front view of the nozzle; FIG. 3 is a side view of the nozzle; and, FIG. 4 is an opposite side view of the nozzle.

**1 Claim, 3 Drawing Sheets**



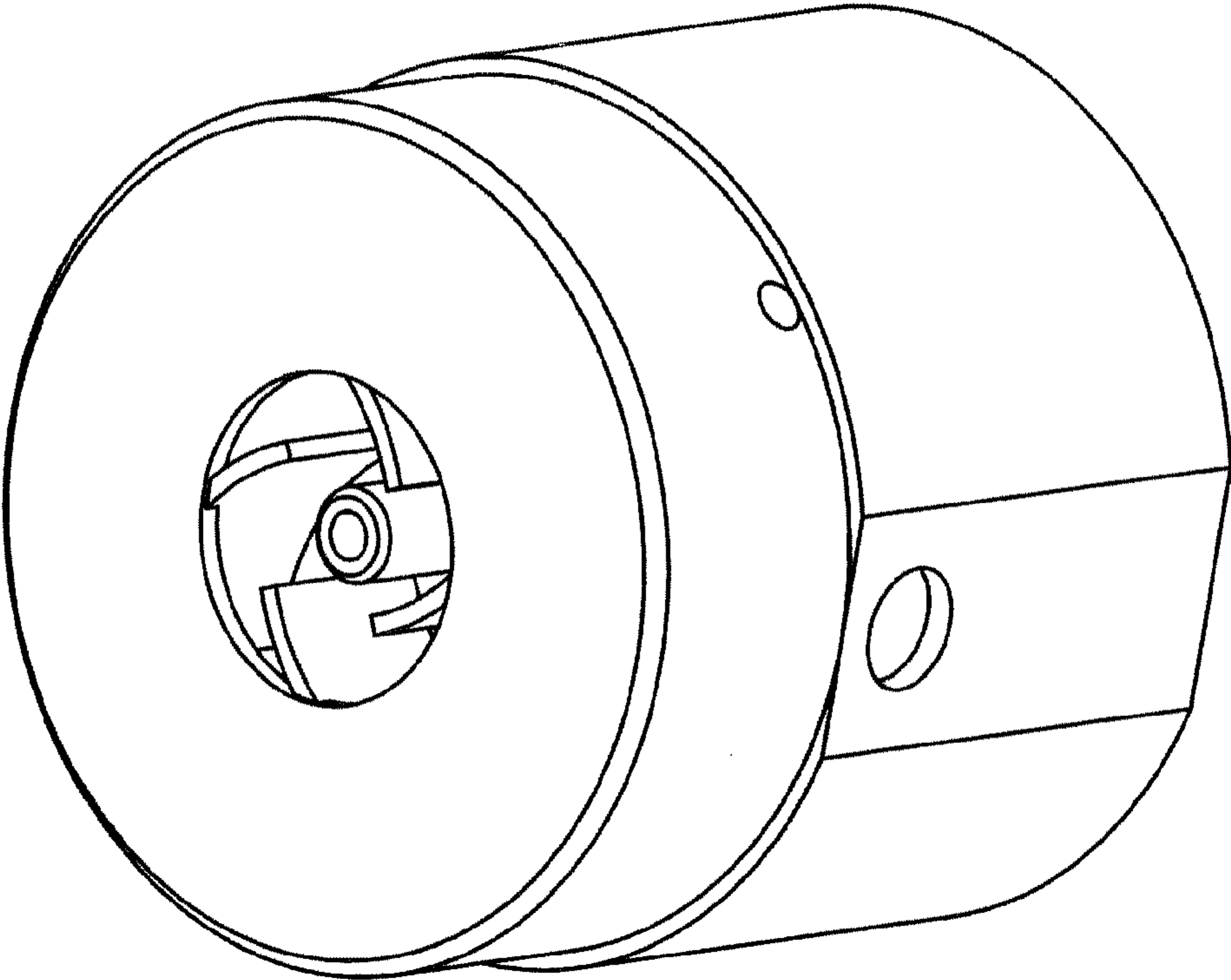


FIG. 1

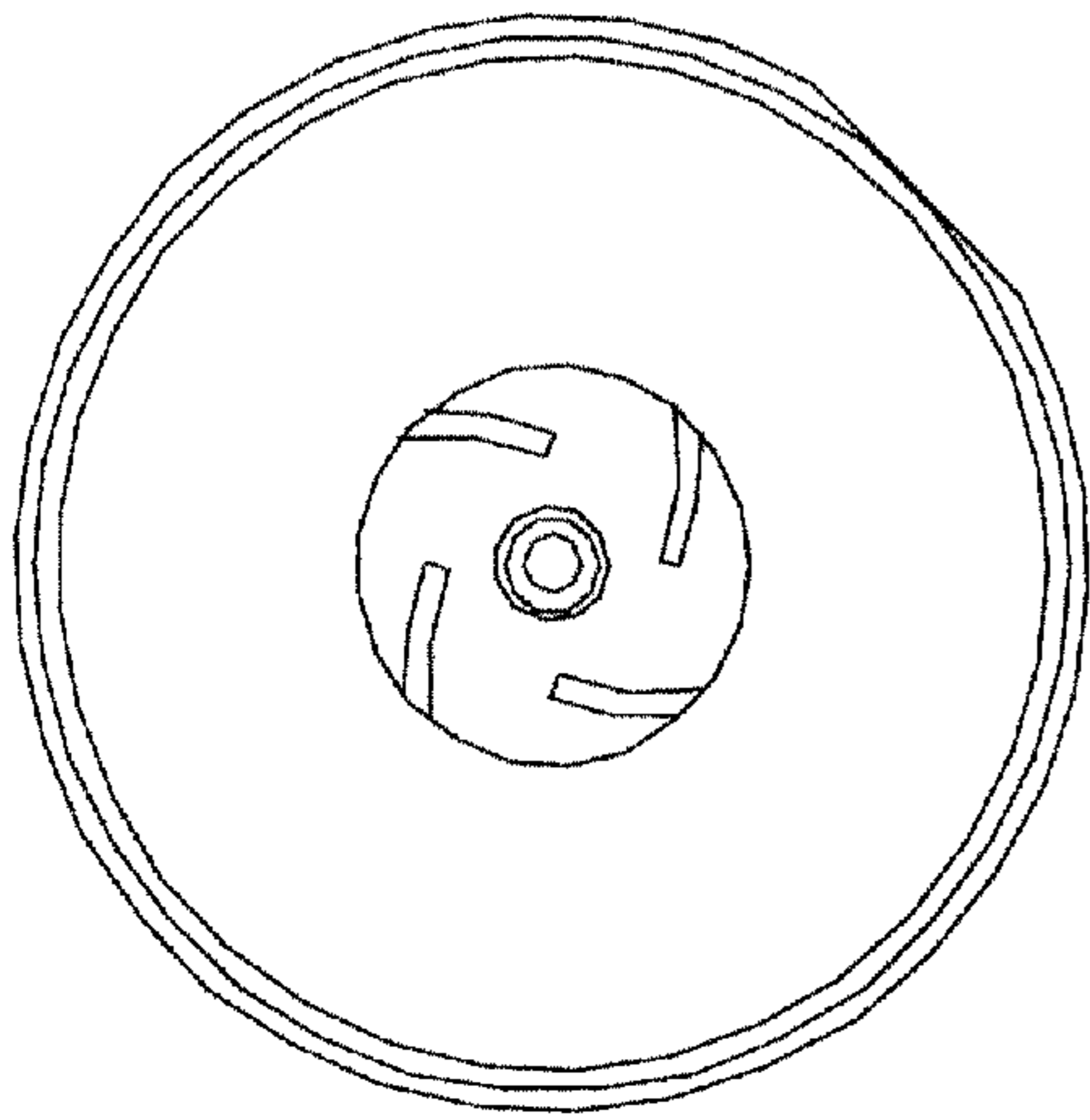


FIG. 2

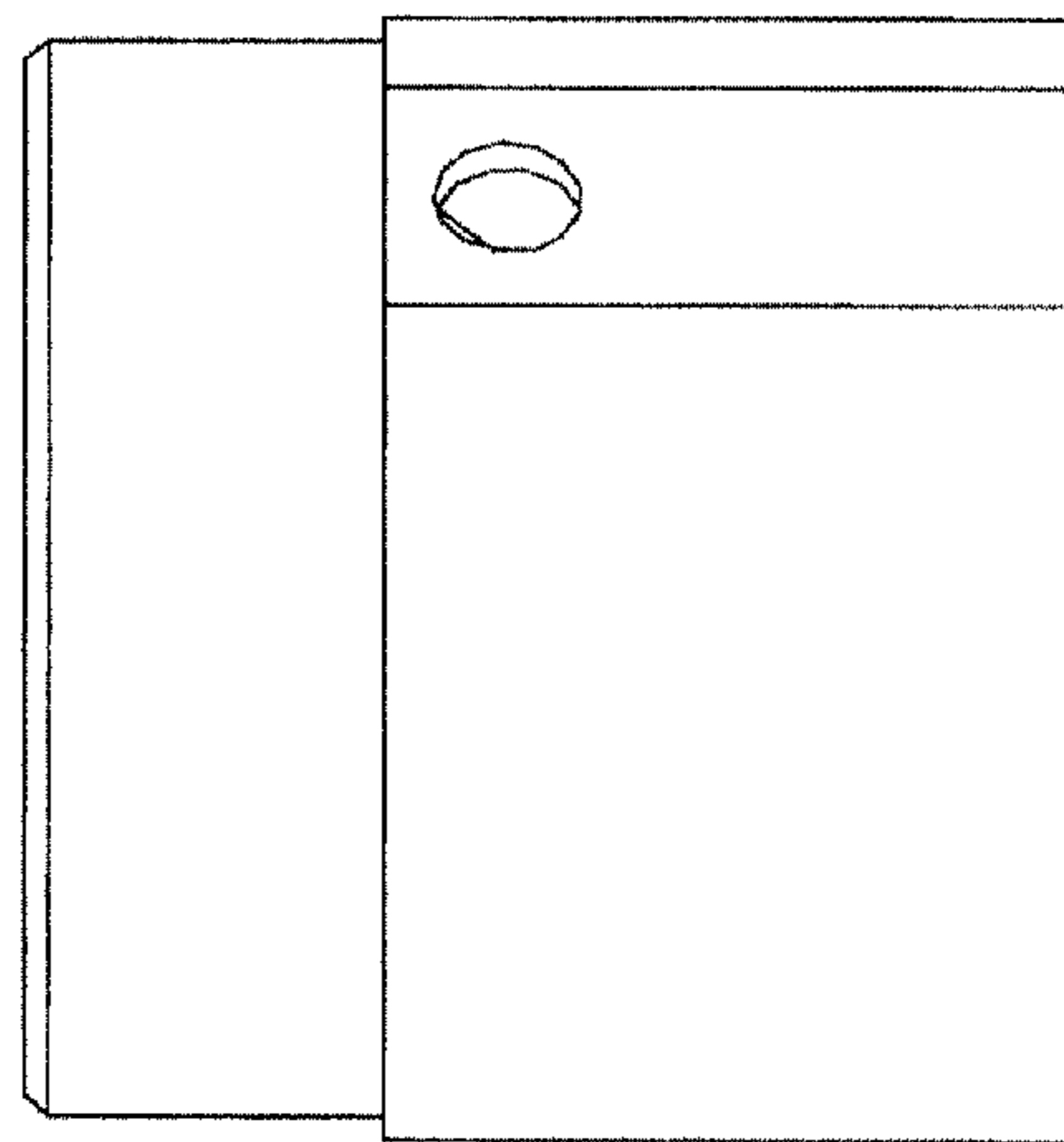


FIG. 3

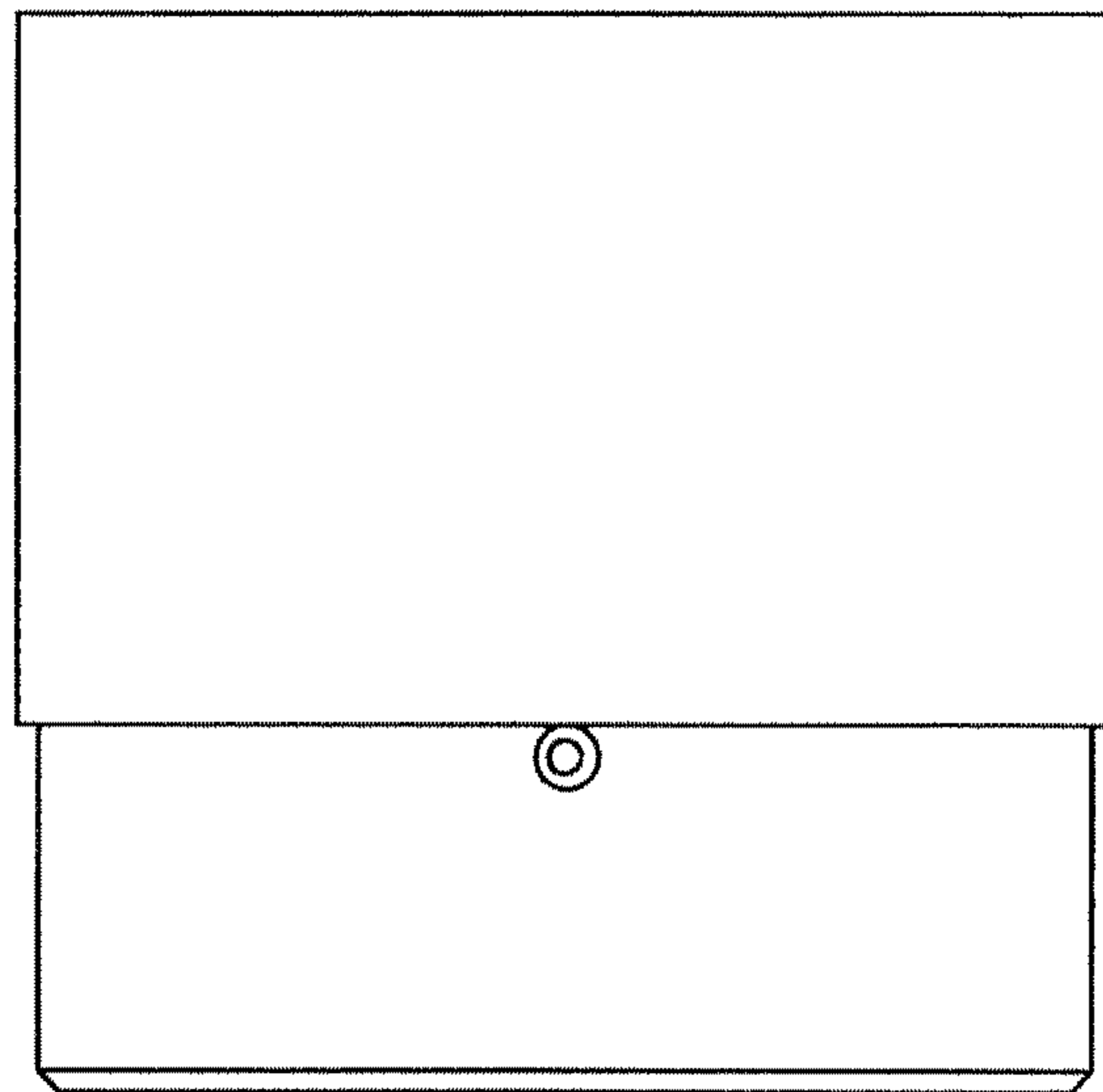


FIG. 4