



US00D749689S

(12) **United States Design Patent**
Cheng et al.

(10) **Patent No.:** **US D749,689 S**
(45) **Date of Patent:** **** Feb. 16, 2016**

- (54) **LASER MODULE FOR FIREARM**
- (71) Applicants: **Carson Cheng**, City of Industry, CA (US); **Richard Thomas**, City of Industry, CA (US)
- (72) Inventors: **Carson Cheng**, City of Industry, CA (US); **Richard Thomas**, City of Industry, CA (US)
- (73) Assignee: **NcStAR, Inc.**, City of Industry, CA (US)
- (**) Term: **14 Years**
- (21) Appl. No.: **29/499,339**
- (22) Filed: **Aug. 14, 2014**
- (51) **LOC (10) Cl.** **22-01**
- (52) **U.S. Cl.**
USPC **D22/109**
- (58) **Field of Classification Search**
USPC D22/109
CPC F41G 11/003; F41G 1/00; F41G 1/345
See application file for complete search history.

					362/114
6,363,648	B1 *	4/2002	Kranich	G02B 27/20
					42/114
6,385,893	B1 *	5/2002	Cheng	F41G 11/001
					42/124
7,188,978	B2 *	3/2007	Sharrah	F21S 9/02
					248/216.4
D578,599	S *	10/2008	Cheng	D16/130
2015/0241170	A1 *	8/2015	Hartley	F41G 11/001
					42/115

* cited by examiner

Primary Examiner — Michael A Pratt

(74) *Attorney, Agent, or Firm* — Raymond Y. Chan; David and Raymond Patent Firm

(57) **CLAIM**

The ornamental design for a laser module for firearm, as shown and described.

DESCRIPTION

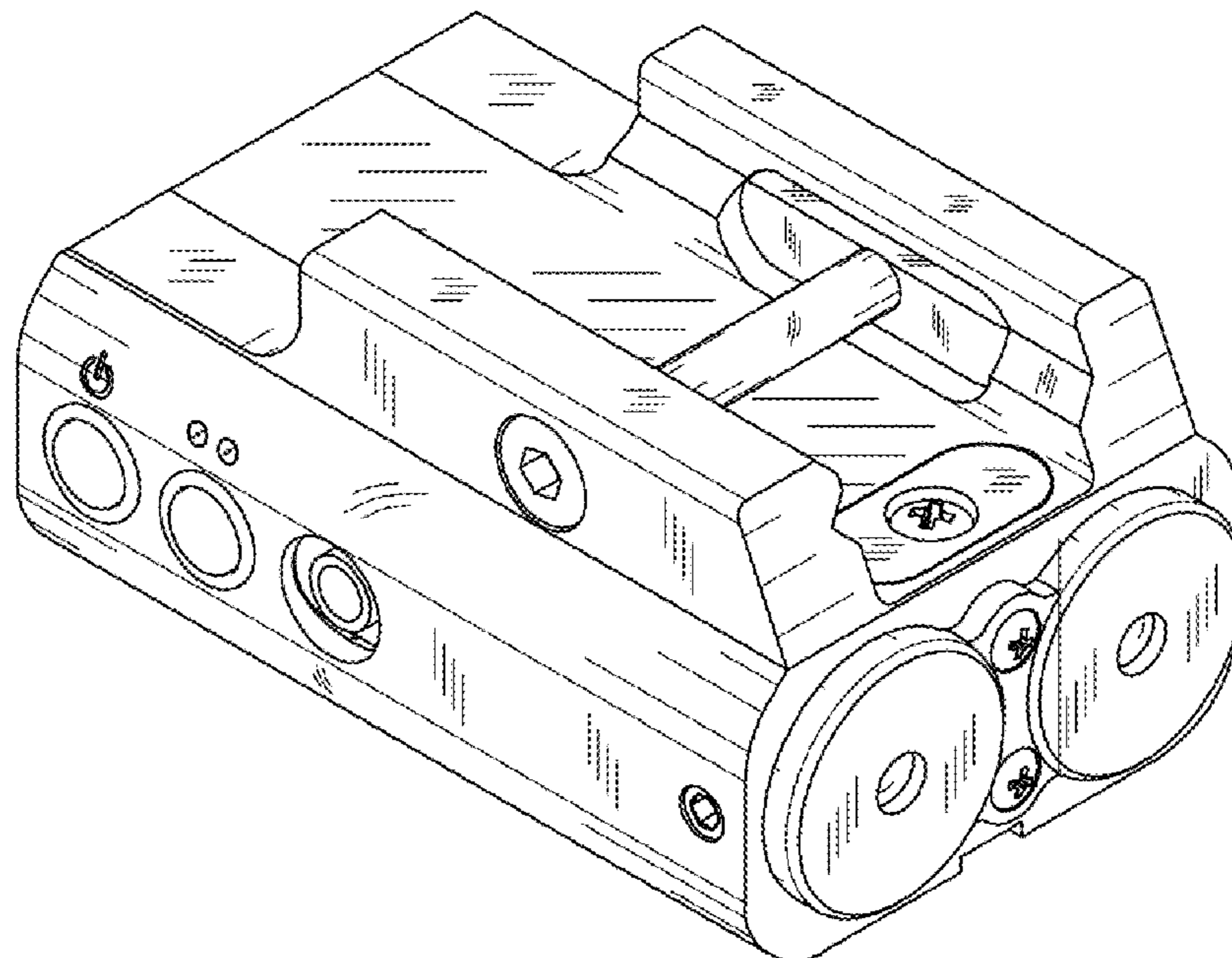
FIG. 1 is a perspective view of a laser module for a firearm showing my new design.
 FIG. 2 is a front view of the laser module.
 FIG. 3 is a rear view of the laser module.
 FIG. 4 is a left view of the laser module.
 FIG. 5 is a right view of the laser module.
 FIG. 6 is a top view of the laser module.
 FIG. 7 is a bottom view of the laser module; and,
 FIG. 8 is a perspective view of the laser module, showing of the laser module attached to the firearm.
 The broken line portion of the figure drawings is included to show unclaimed subject matter only and forms no part of the claimed design.

1 Claim, 5 Drawing Sheets

(56) **References Cited**

U.S. PATENT DOCUMENTS

5,282,594	A *	2/1994	Huang	F41G 1/35
					248/205.1
5,621,999	A *	4/1997	Moore	F41G 1/35
					362/110
5,784,823	A *	7/1998	Chen	F41G 11/001
					362/110
6,230,431	B1 *	5/2001	Bear	F41G 1/35



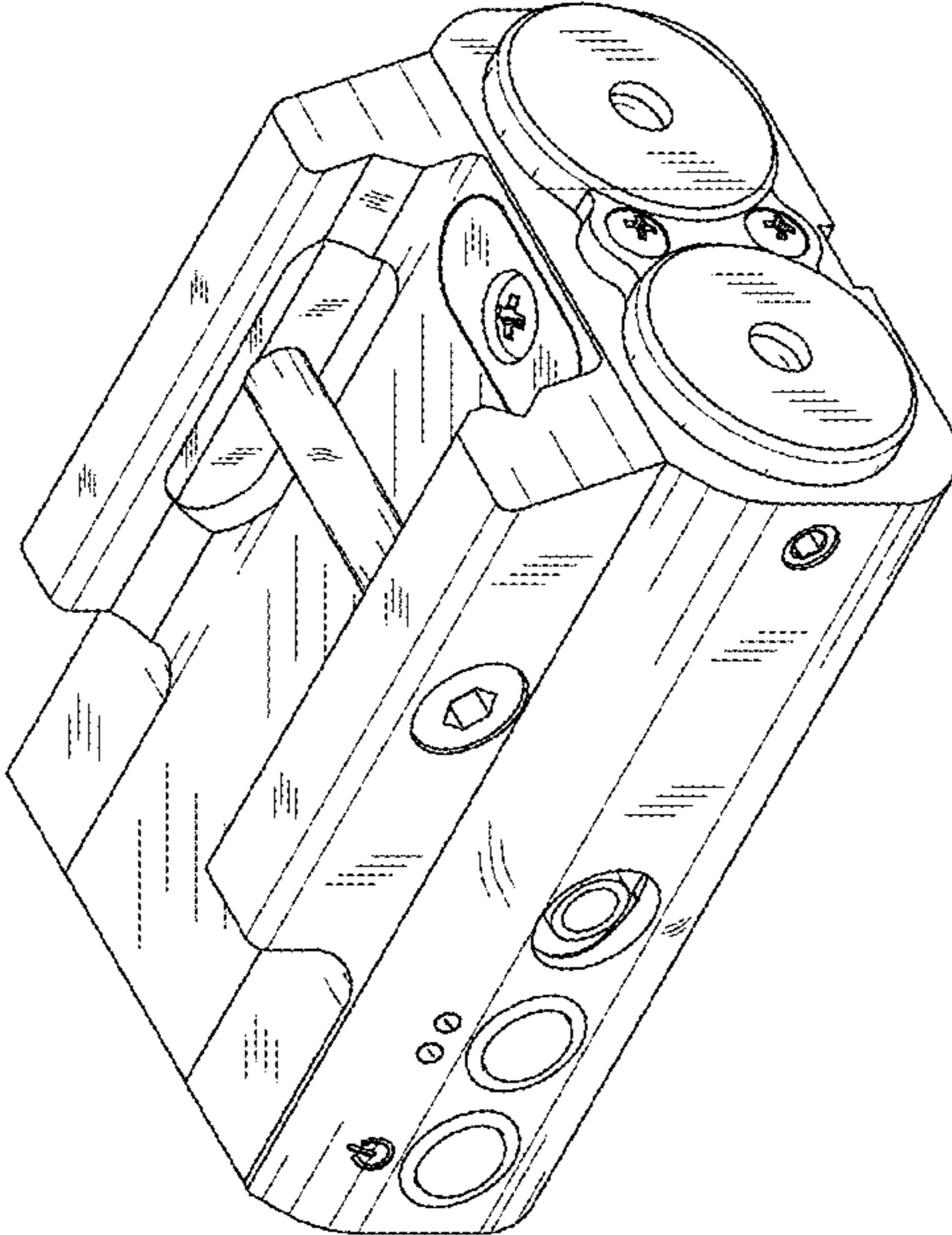


FIG.1

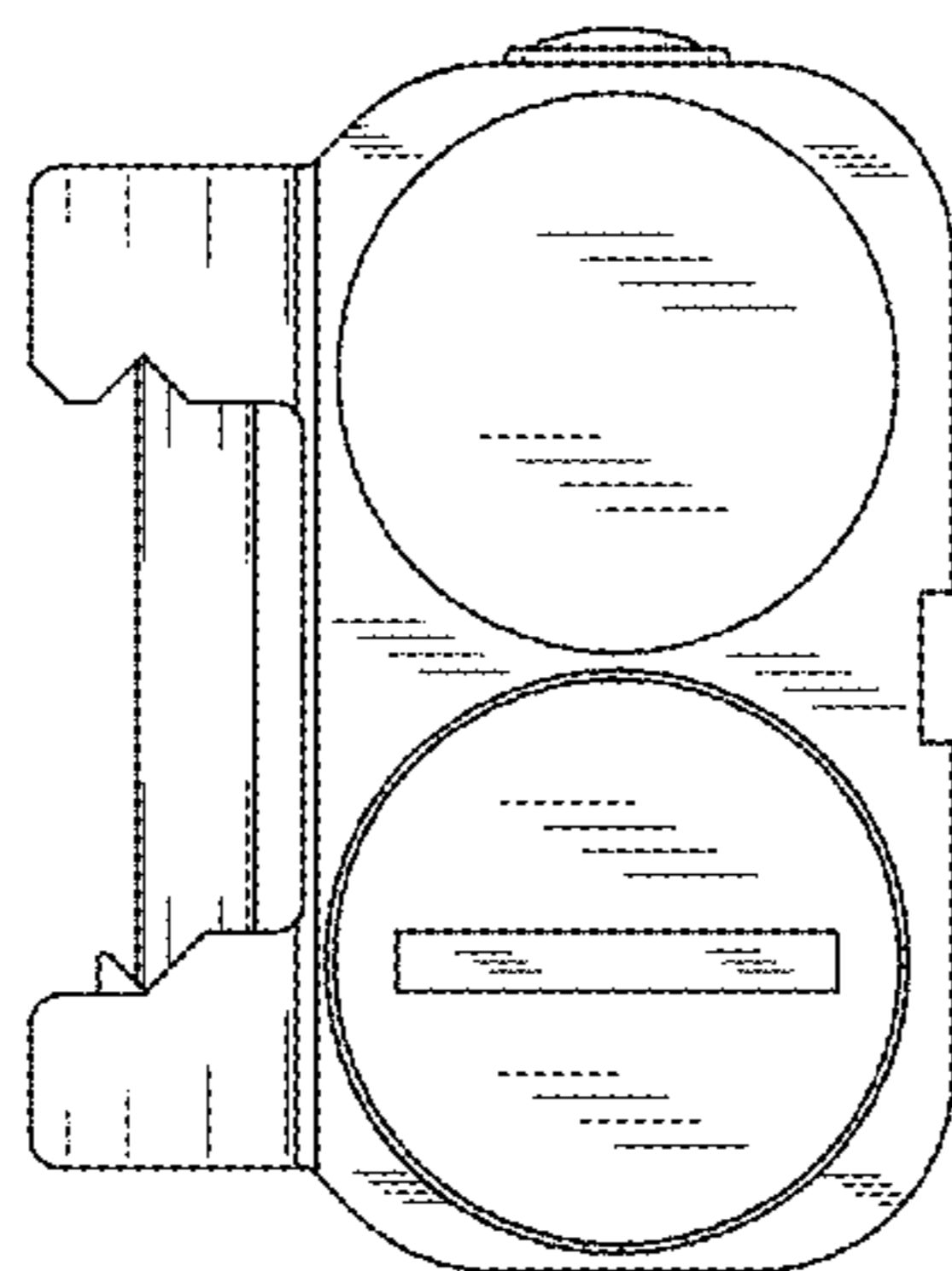


FIG.3

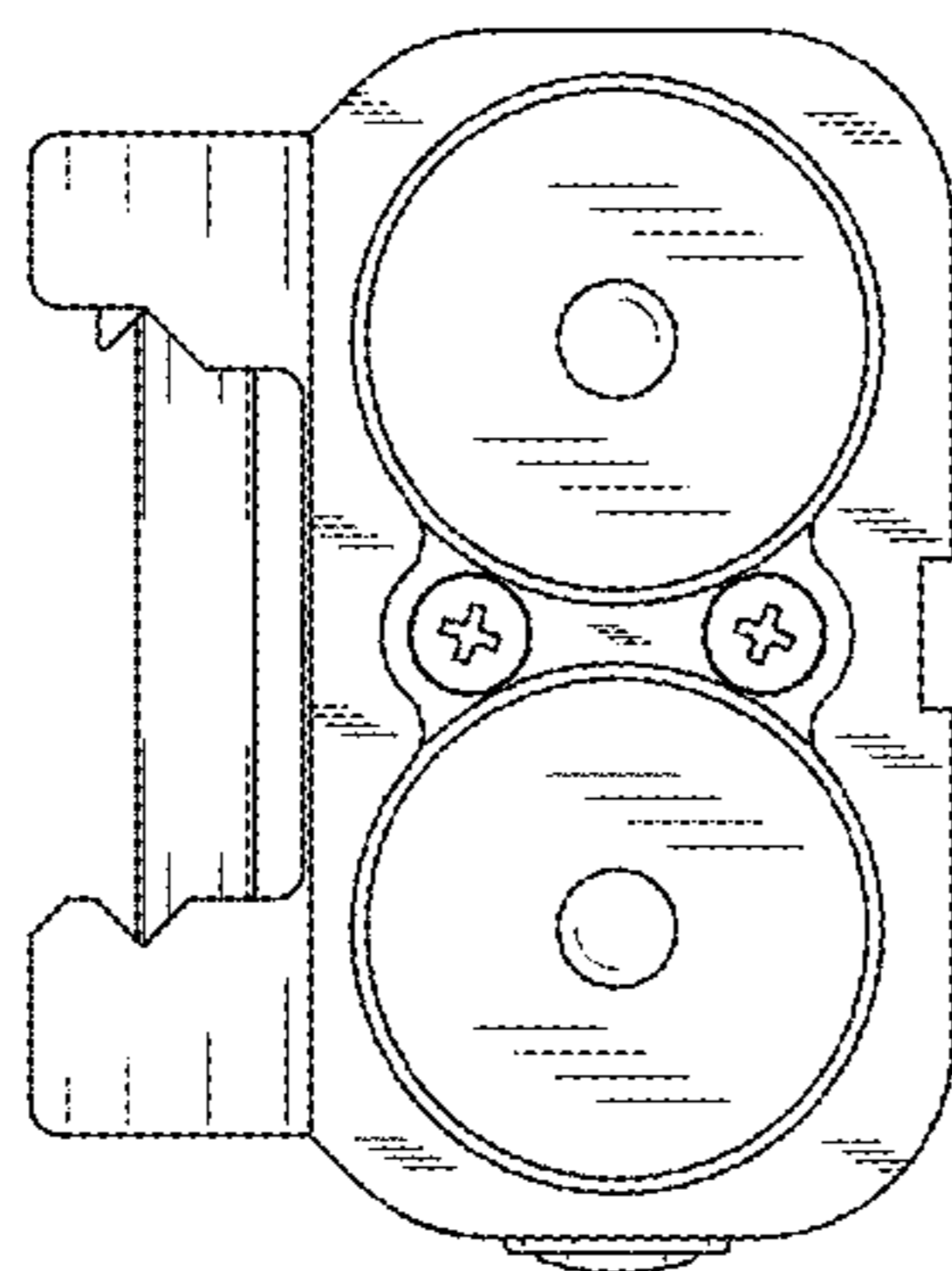


FIG.2

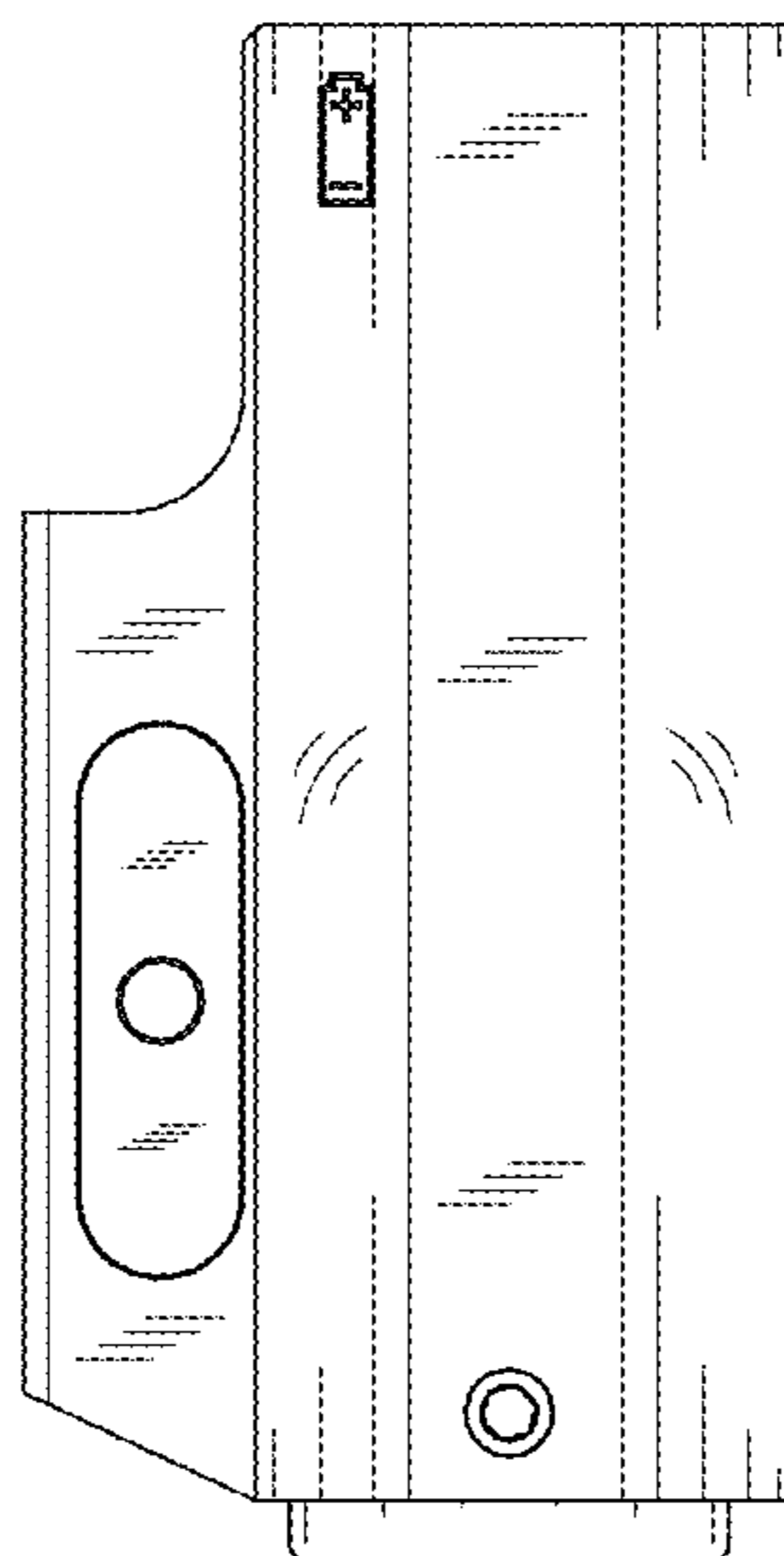


FIG. 5

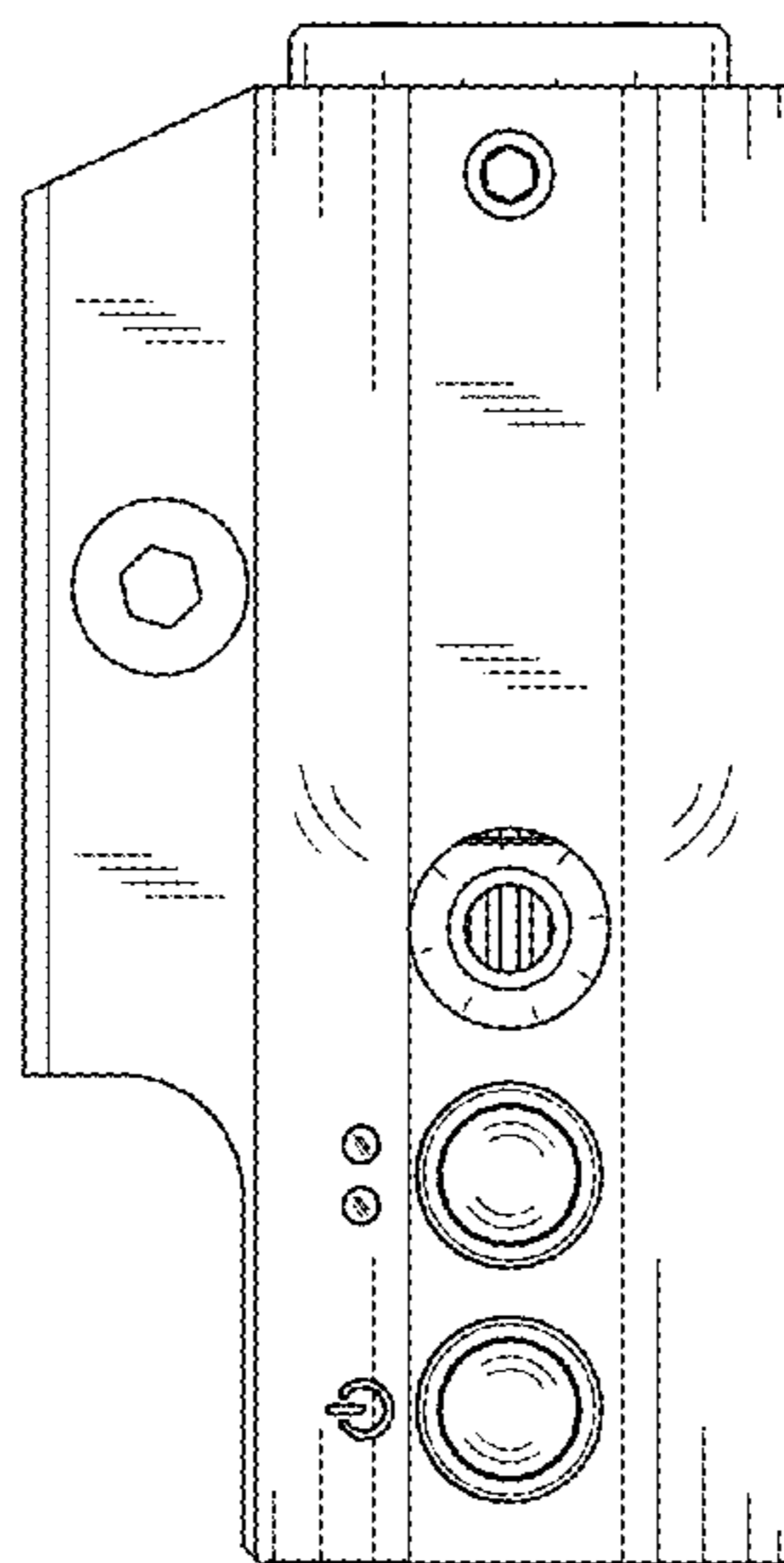


FIG. 4

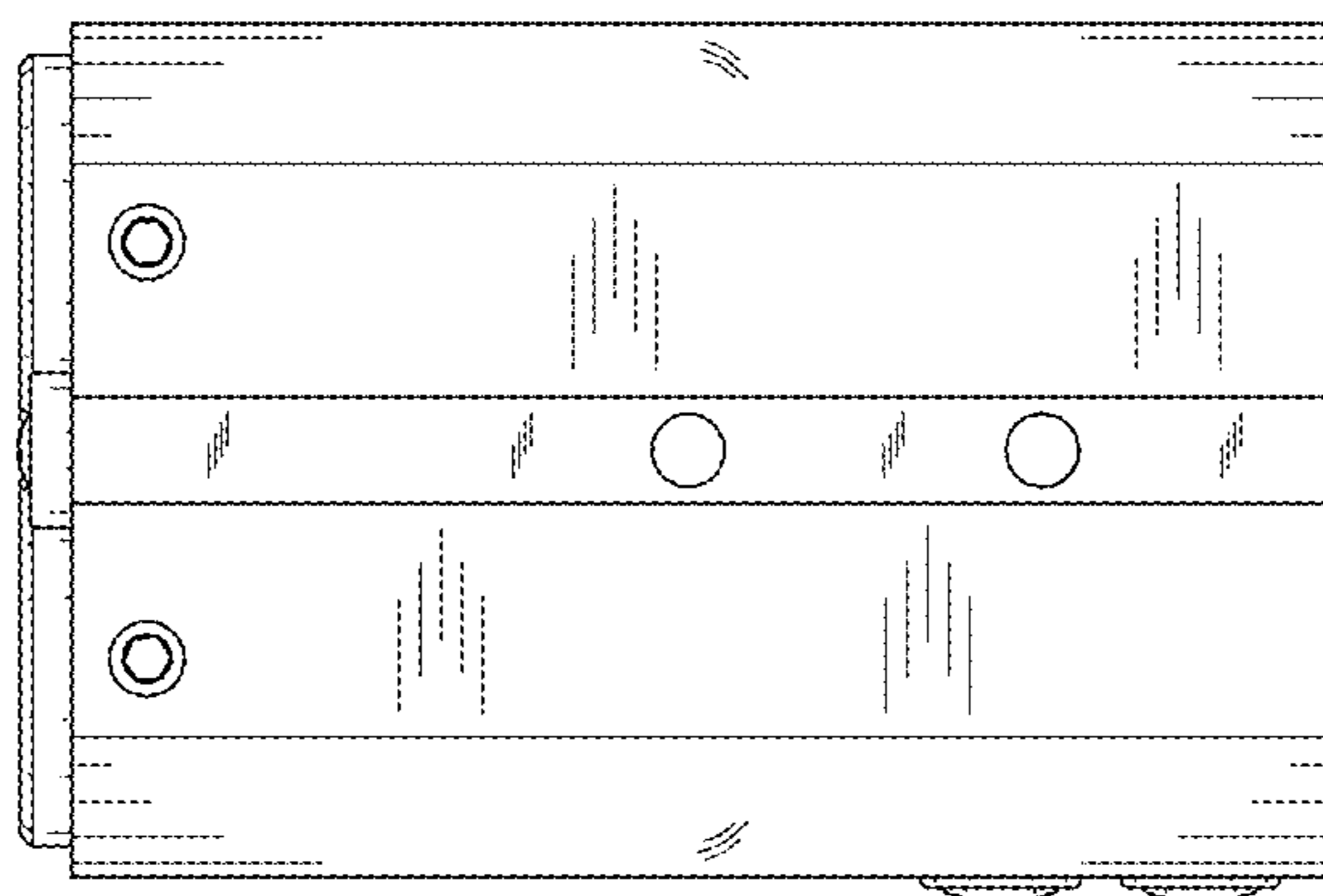


FIG. 7

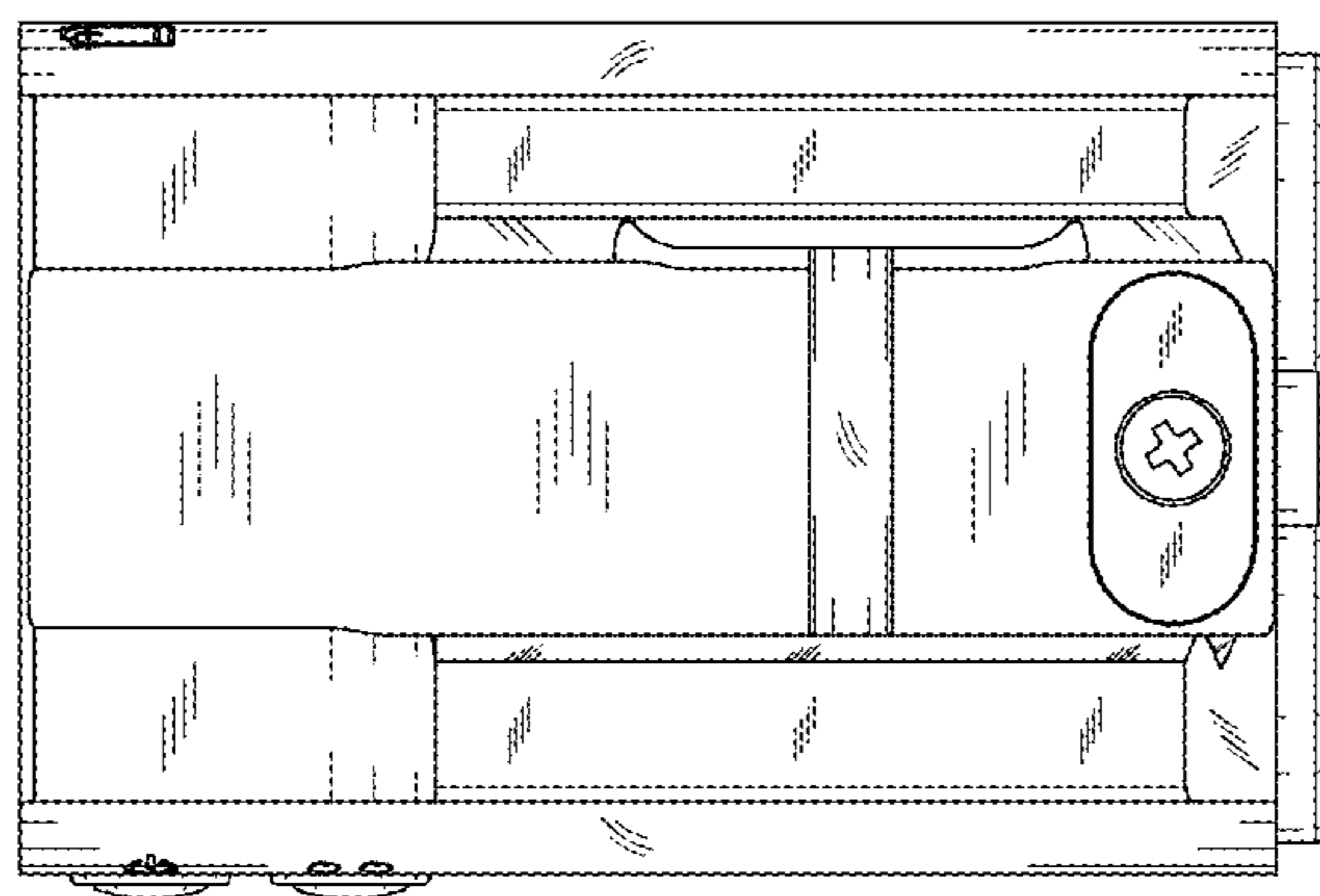


FIG. 6

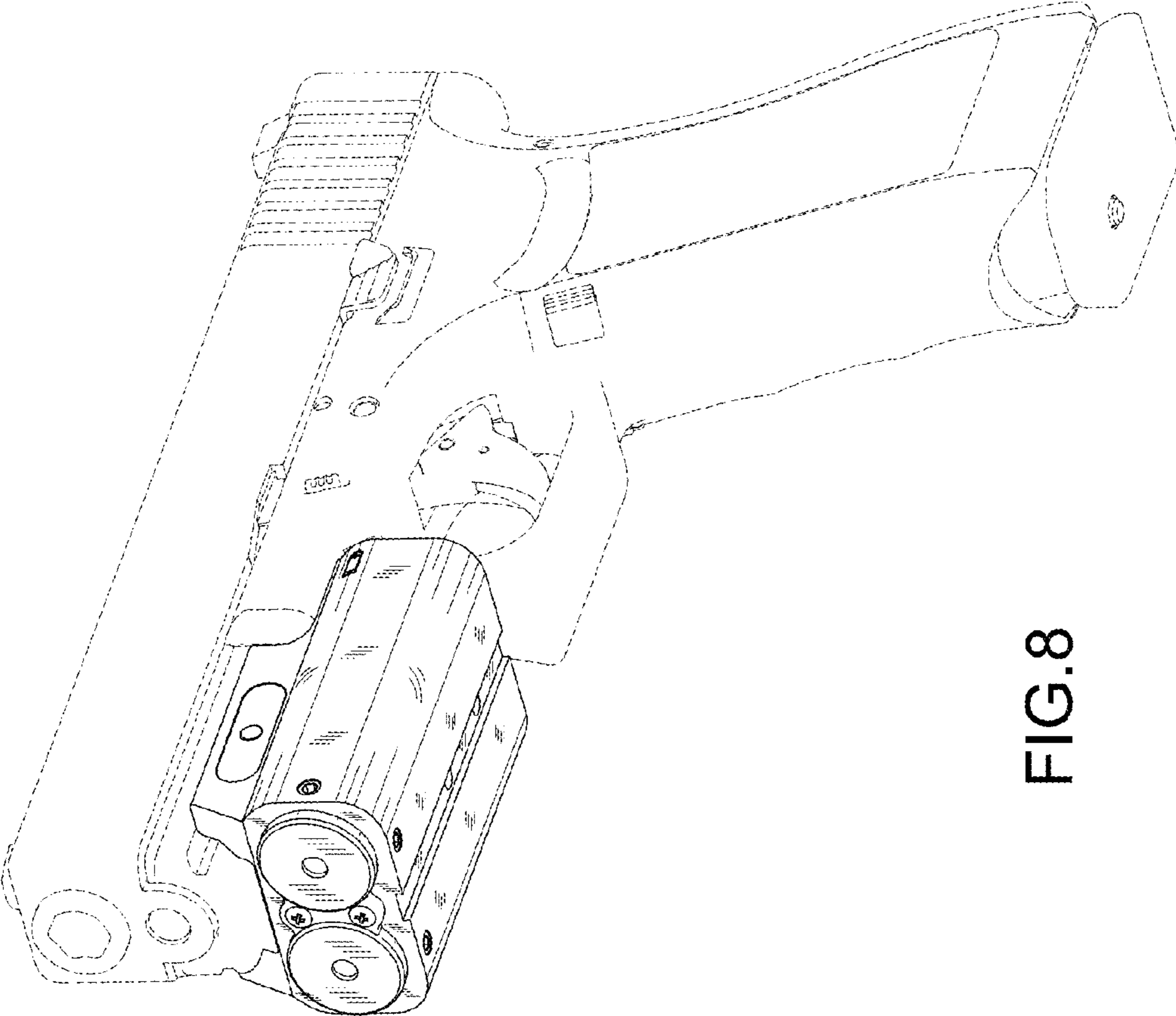


FIG.8