



US00D749688S

(12) **United States Design Patent**  
**Harris**

(10) **Patent No.:** **US D749,688 S**

(45) **Date of Patent:** **\*\* Feb. 16, 2016**

- (54) **OPTICAL SIGHT RETICLE**
- (71) Applicant: **Joel D. Harris**, Grand Blanc, MI (US)
- (72) Inventor: **Joel D. Harris**, Grand Blanc, MI (US)
- (73) Assignee: **Carl Zeiss SBE, LLC**, Thornwood, NY (US)
- (\*\*) Term: **14 Years**

4,789,231	A	12/1988	Shimizu
D306,173	S	2/1990	Reese
5,491,546	A	2/1996	Wascher et al.
D397,704	S	9/1998	Reese
D403,686	S	1/1999	Reese
5,920,995	A	7/1999	Sammut
6,032,374	A	3/2000	Sammut
6,357,158	B1	3/2002	Smith, III
D475,758	S	6/2003	Ishikawa
6,591,537	B2	7/2003	Smith
D517,153	S	3/2006	Timm et al.
D522,030	S	5/2006	Jenkinson
D530,775	S	10/2006	LaCorte
D530,776	S	10/2006	LaCorte

(21) Appl. No.: **29/491,952**

(22) Filed: **May 27, 2014**

(51) **LOC (10) Cl.** ..... **22-01**

(52) **U.S. Cl.**  
USPC ..... **D22/109**

(58) **Field of Classification Search**  
 USPC ..... D22/109; 33/227, 297, 298;  
                                   D16/130-134; 42/111, 113, 130, 122,  
                                   42/124, 134-145; 235/414; 356/21,  
                                   356/139.02, 250, 251, 252, 29; 89/41, 19,  
                                   89/161, 200-204; 359/424, 428; D14/404  
 CPC ..... F41G 1/00; F41G 1/01; F41G 1/02;  
                                   F41G 1/06; F41G 1/065; F41G 1/08; F41G  
                                   1/10; F41G 1/12; F41G 1/14; F41G 1/30;  
                                   F41G 1/32; F41G 1/38; F41G 1/40; F41G  
                                   1/42; F41G 1/44; F41G 1/46; F41G 1/383;  
                                   F41G 1/387; F41G 1/393; F41G 3/00; F41G  
                                   3/005; F41G 3/02; F41G 3/04; F41G 3/06;  
                                   F41G 3/14; F41G 11/002; F41G 11/003;  
                                   F41G 11/004; F41G 11/005

See application file for complete search history.

(56) **References Cited**

**U.S. PATENT DOCUMENTS**

3,190,003	A	6/1965	O'Brien
4,285,137	A	8/1981	Jennie
4,584,776	A	4/1986	Shepherd
D285,540	S	9/1986	Allen

(Continued)

**OTHER PUBLICATIONS**

Leupold reticles, downloaded from [http://www.opticstalk.com/vxiii-258x36-reticle-choice\\_topic1982.html](http://www.opticstalk.com/vxiii-258x36-reticle-choice_topic1982.html) on May 9, 2014.

(Continued)

*Primary Examiner* — Michael A Pratt

(74) *Attorney, Agent, or Firm* — Warner Norcross & Judd LLP

(57) **CLAIM**

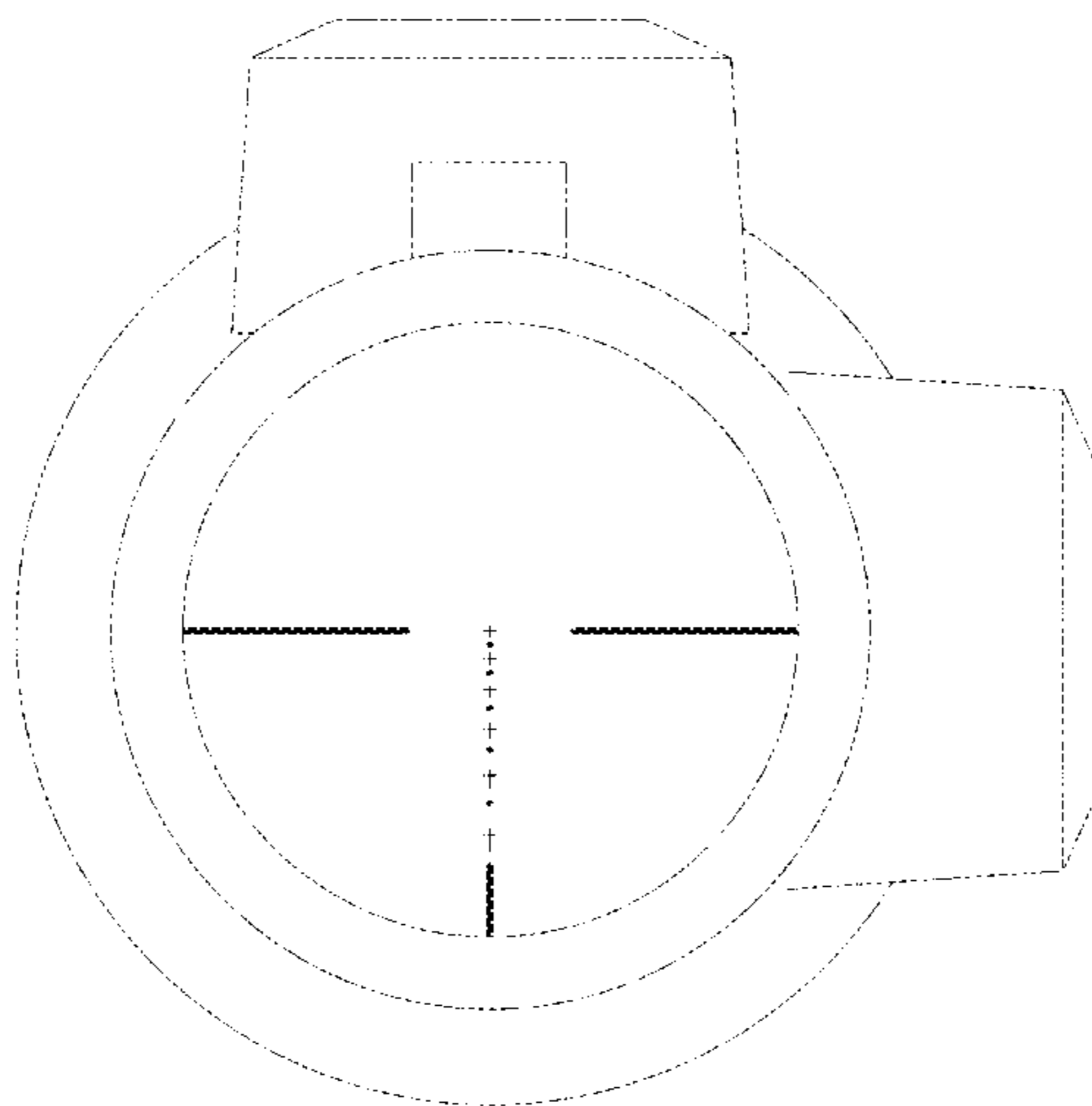
The ornamental design for optical sight reticle, as shown and described.

**DESCRIPTION**

FIG. 1 is a view of an optical sight reticle for an aiming device, as viewed through an eyepiece end of the aiming device; and, FIG. 2 is a perspective view showing an environment of use for the reticle of FIG. 1.

FIGS. 1-2 show features of a treestand in phantom lines. These features are shown for environmental purposes and do not form any part of the claimed design. Further, the phantom lines immediately adjacent the solid-line portions of the design form the boundary of the design, with the phantom lines forming no part of the claimed design.

**1 Claim, 2 Drawing Sheets**



(56)

**References Cited**

U.S. PATENT DOCUMENTS

D544,511 S 6/2007 Geurts  
D567,324 S 4/2008 Pride et al.  
D567,325 S 4/2008 Pride et al.  
D567,326 S 4/2008 Pride et al.  
D567,896 S 4/2008 Pride et al.  
D570,441 S 6/2008 Pride et al.  
D587,333 S 2/2009 Peters et al.  
7,603,804 B2 10/2009 Zaderey et al.  
D609,769 S 2/2010 Lacorte  
D613,362 S 4/2010 Huber  
D613,363 S 4/2010 Huber  
D651,682 S 1/2012 Beckett et al.  
8,405,904 B2 3/2013 Dobschal et al.  
D679,776 S \* 4/2013 Bracken et al. .... D22/109

D679,777 S \* 4/2013 Bracken et al. .... D22/109  
D680,187 S \* 4/2013 Bracken et al. .... D22/109  
D703,784 S \* 4/2014 Smith ..... D22/109  
2004/0016168 A1 1/2004 Thomas et al.  
2005/0005495 A1 1/2005 Smith  
2005/0229468 A1 10/2005 Zaderey et al.  
2007/0044364 A1 3/2007 Sammut et al.  
2008/0098640 A1 5/2008 Sammut et al.  
2012/0144720 A1 6/2012 Lacorte

OTHER PUBLICATIONS

Hawke Sport HD IR 3-9x40, downloaded from <http://www.hawkeoptics.com/hawke-sport-hd-ir-3-9x40-rimfire-sr.html> on May 9, 2014.

\* cited by examiner

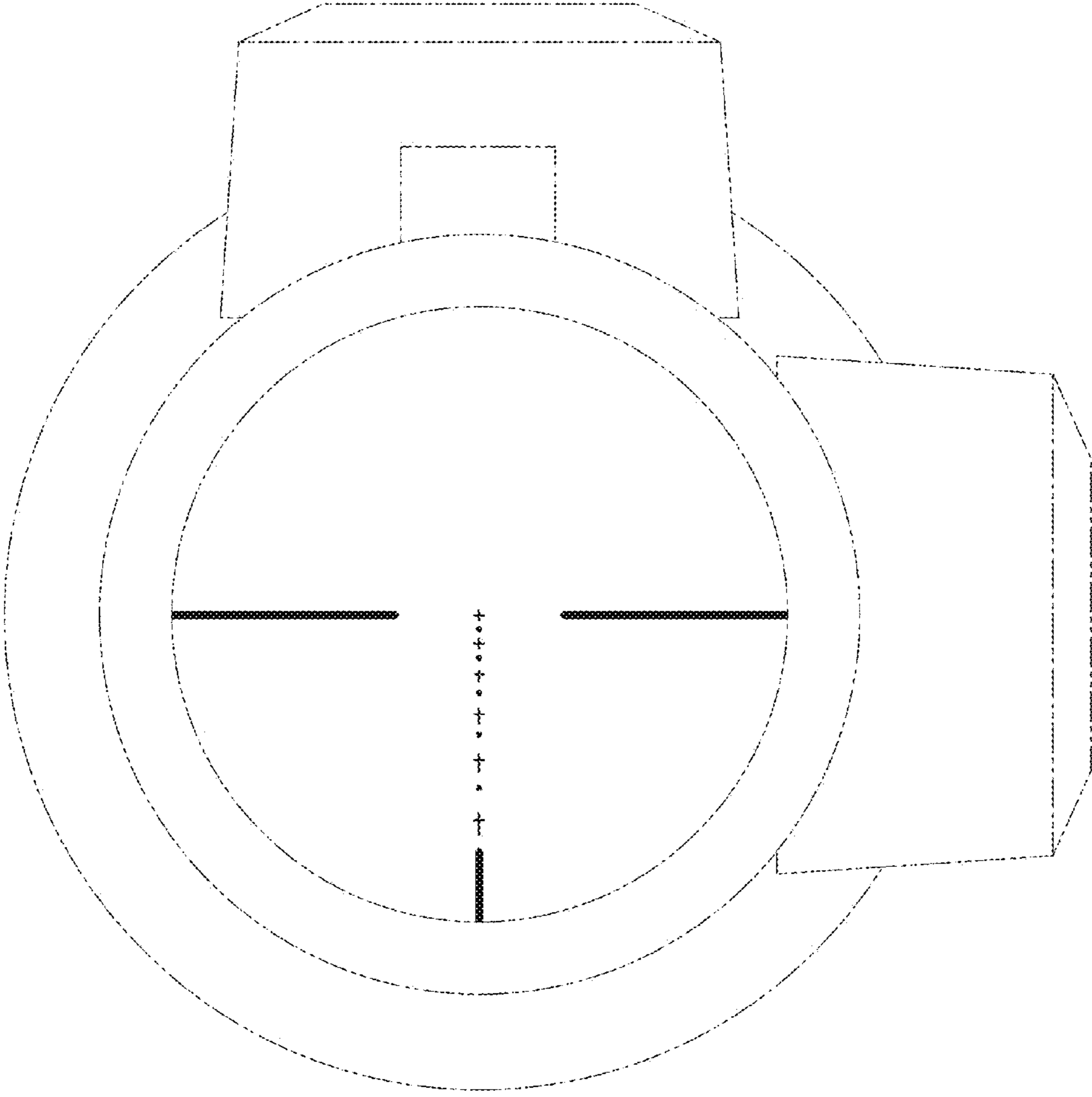


Fig. 1

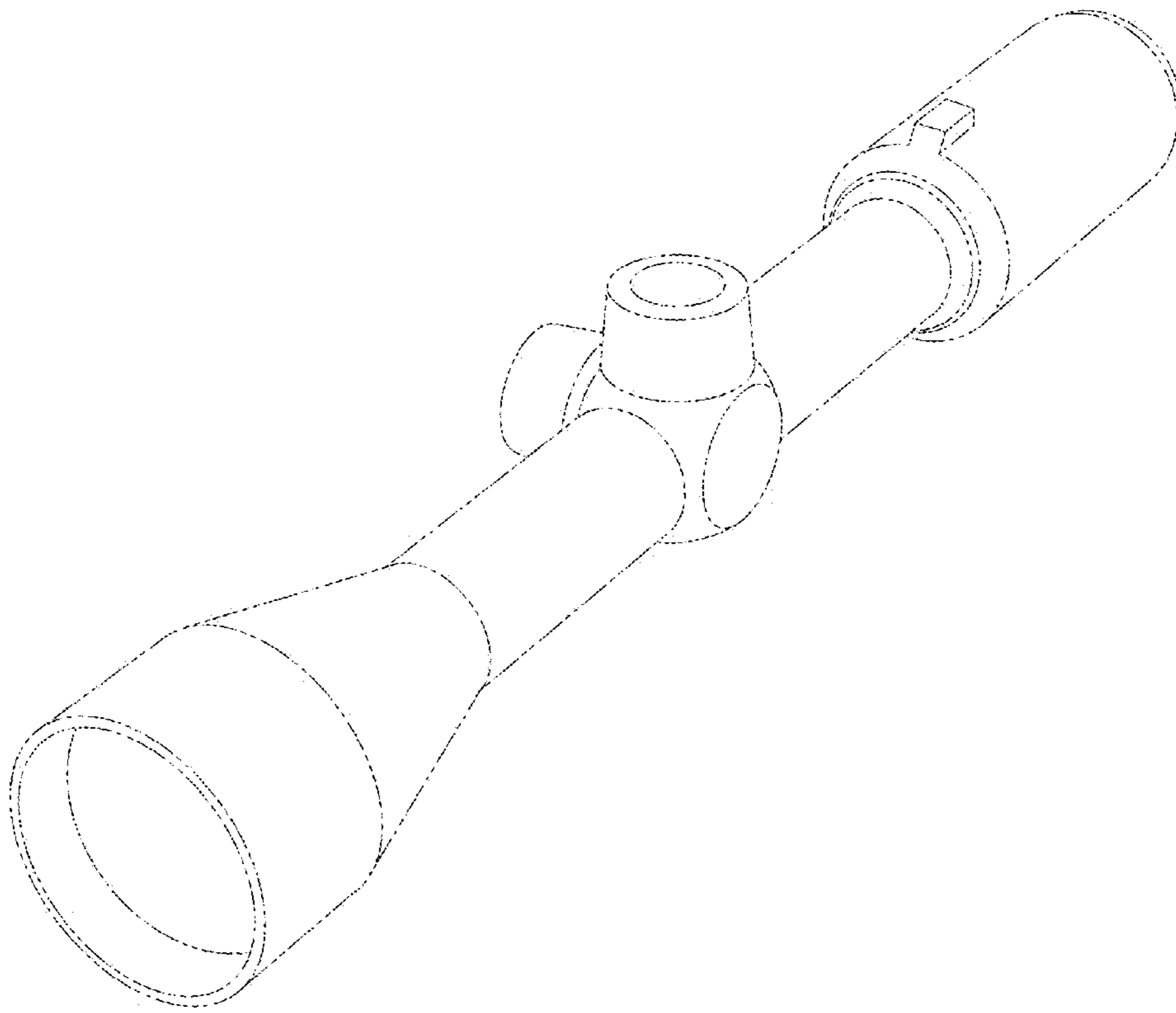


Fig. 2