



US00D749687S

(12) **United States Design Patent**
Warensford

(10) **Patent No.:** **US D749,687 S**
(45) **Date of Patent:** **** Feb. 16, 2016**

- (54) **FIREARM CHARGING HANDLE**
- (71) Applicant: **Spike's Tactical, LLC**, Apopka, FL (US)
- (72) Inventor: **Wayne Richard Warensford**, Deland, FL (US)
- (73) Assignee: **Spike's Tactical, LLC**, Apopka, FL (US)
- (**) Term: **14 Years**
- (21) Appl. No.: **29/501,572**
- (22) Filed: **Sep. 5, 2014**
- (51) **LOC (10) Cl.** **22-01**
- (52) **U.S. Cl.**
USPC **D22/108**
- (58) **Field of Classification Search**
USPC D22/108
CPC F41A 3/72; F41A 3/26; F41A 7/00;
F41A 7/02; F41A 9/38; F41A 3/18
See application file for complete search history.
- (56) **References Cited**

U.S. PATENT DOCUMENTS

- 3,225,653 A * 12/1965 Packard F41A 3/72
42/16
- 6,311,603 B1 * 11/2001 Dunlap F41A 3/72
42/2
- 7,231,861 B1 * 6/2007 Gauny F41A 3/72
42/16
- 7,240,600 B1 7/2007 Bordson
- D614,718 S * 4/2010 Hoel D22/108
- 7,707,921 B1 * 5/2010 Hoel F41A 35/06
42/16
- 7,753,679 B1 * 7/2010 Schuetz F41A 33/00
42/49.02
- 7,798,045 B1 * 9/2010 Fitzpatrick F41A 21/481
42/69.02
- 7,832,322 B1 * 11/2010 Hoel F41A 3/20
42/16
- 7,900,546 B2 3/2011 Bordson
- 8,104,393 B2 * 1/2012 Kincel F41A 3/72
42/16
- 8,261,649 B2 * 9/2012 Fitzpatrick F41A 19/47
89/1.4
- 8,356,537 B2 * 1/2013 Kincel F41A 3/72
42/16
- 8,567,301 B1 * 10/2013 Sharron F41A 3/72
89/1.4

- D694,354 S * 11/2013 Underwood D22/108
- D705,383 S * 5/2014 Montes D22/108
- D705,384 S * 5/2014 Underwood D22/108
- 8,820,210 B2 * 9/2014 Melville F41A 3/72
42/69.01
- 8,863,632 B1 * 10/2014 O'Malley F41A 3/72
42/16
- D726,860 S * 4/2015 Underwood D22/108
- 2005/0188827 A1 * 9/2005 McNulty, Jr. F41B 15/04
89/1.11
- 2009/0126249 A1 * 5/2009 Crommett F41A 11/02
42/71.01
- 2010/0236395 A1 * 9/2010 Akhavan F41A 15/16
89/179
- 2011/0056107 A1 3/2011 Underwood
- 2011/0214558 A1 * 9/2011 Kincel F41A 9/00
89/1.4
- 2012/0151813 A1 * 6/2012 Brown F41C 7/00
42/73
- 2012/0291612 A1 * 11/2012 Kincel F41A 35/06
89/1.4
- 2013/0092014 A1 * 4/2013 Kincel F41A 3/72
89/1.4
- 2013/0152442 A1 6/2013 Underwood
- 2013/0174457 A1 * 7/2013 Gangl F41A 3/72
42/16
- 2014/0060293 A1 * 3/2014 Gomez F41A 3/72
89/1.4

(Continued)

Primary Examiner — Michael A Pratt
(74) *Attorney, Agent, or Firm* — Wood, Herron & Evans, LLP

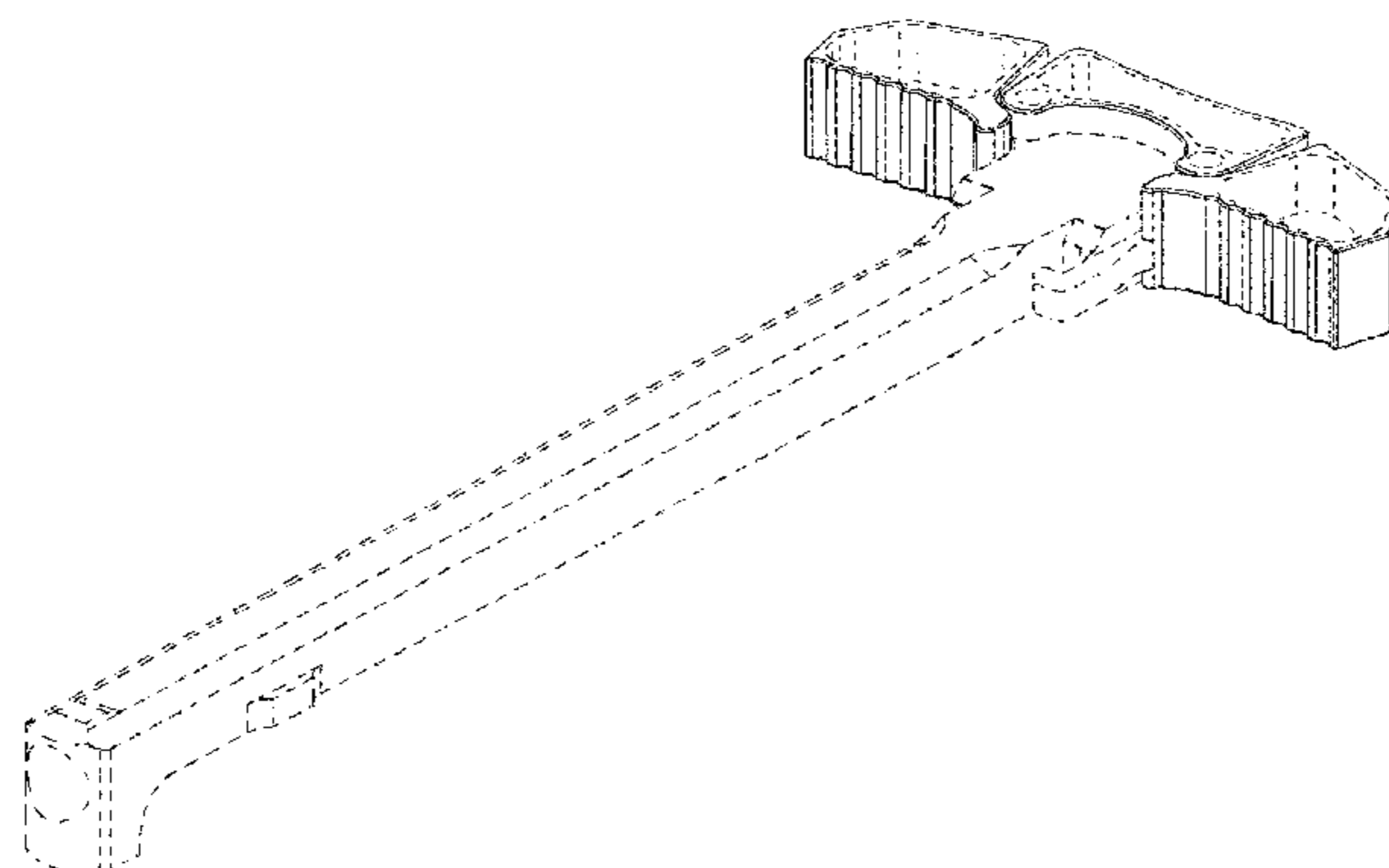
CLAIM

(57) The ornamental design for a firearm charging handle, as shown and described.

DESCRIPTION

FIG. 1 is an isometric view of the firearm charging handle; FIG. 2 is an enlarged isometric view thereof; FIG. 3 is a top plan view thereof; FIG. 4 is a bottom plan view thereof; FIG. 5 is a right plan view thereof; FIG. 6 is a left side plan view thereof; FIG. 7 is a rear plan view thereof; and, FIG. 8 is a front plan view thereof. The broken line showing is included for the purpose of illustrating portions of the article that form no part of the claimed invention.

1 Claim, 5 Drawing Sheets



(56)

References Cited

2014/0318356 A1* 10/2014 Cupps F41A 3/72
89/1.4

U.S. PATENT DOCUMENTS

2014/0150639 A1* 6/2014 Sugg F41A 3/68
89/193

* cited by examiner

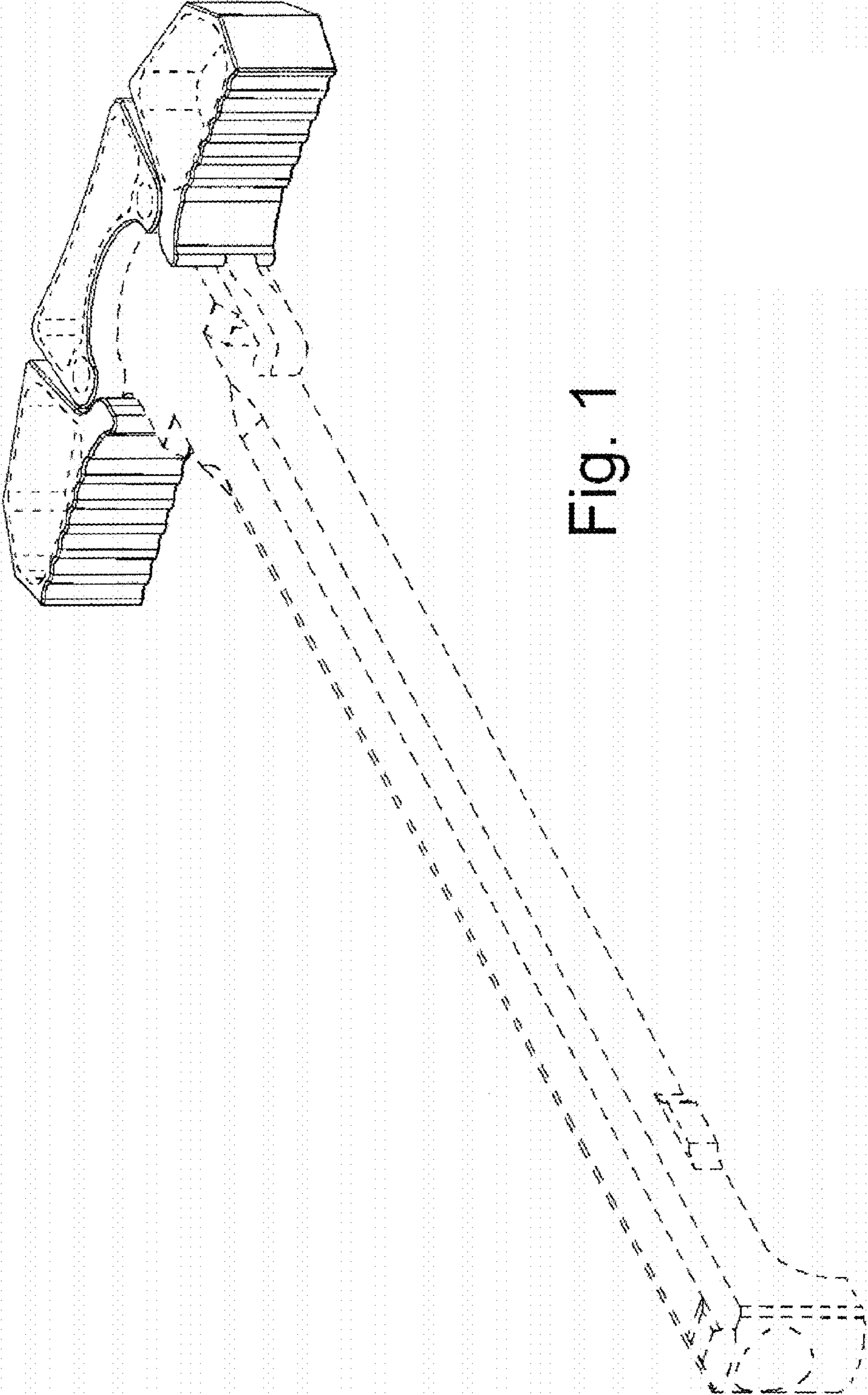


Fig. 1

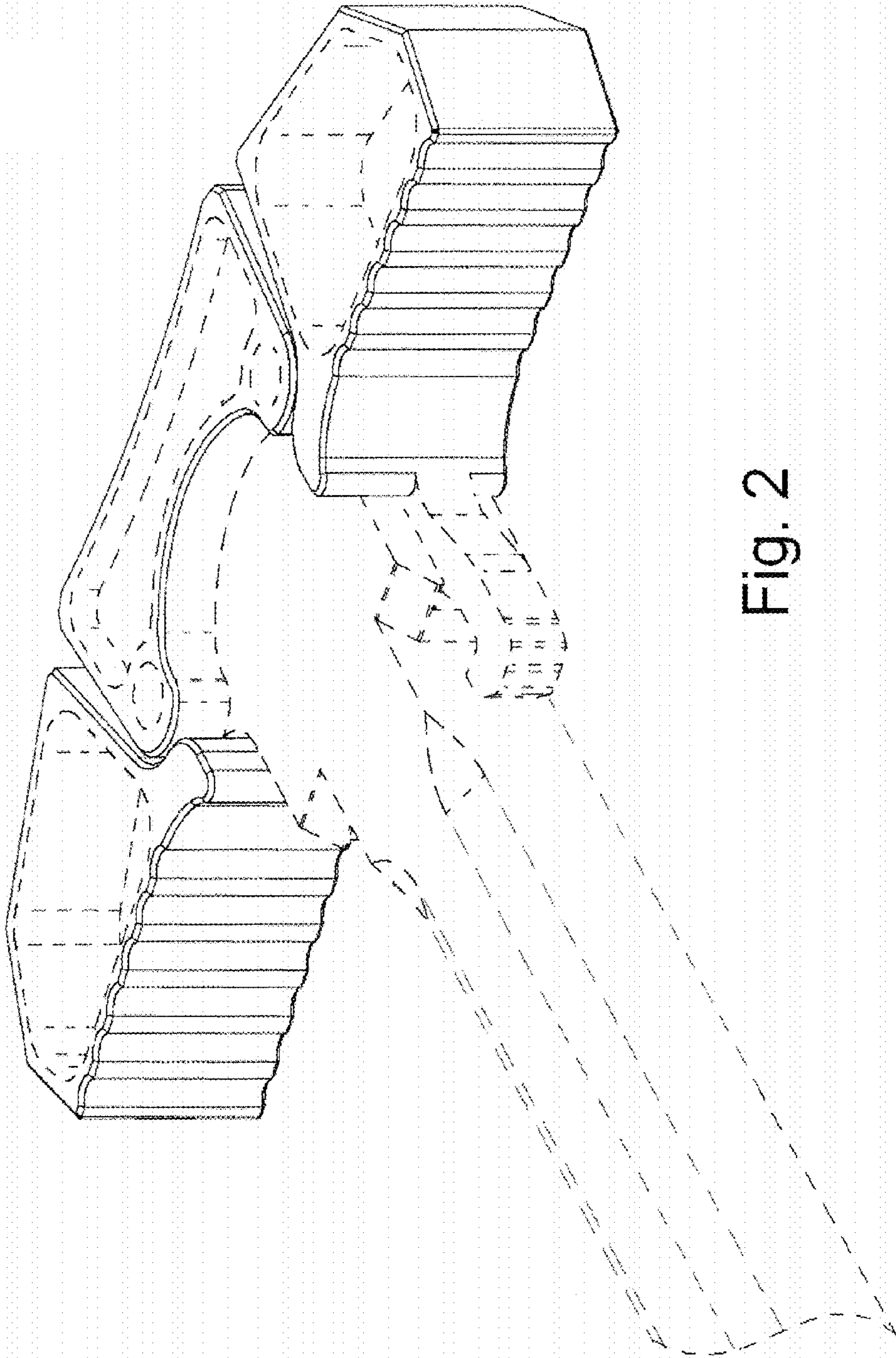


Fig. 2

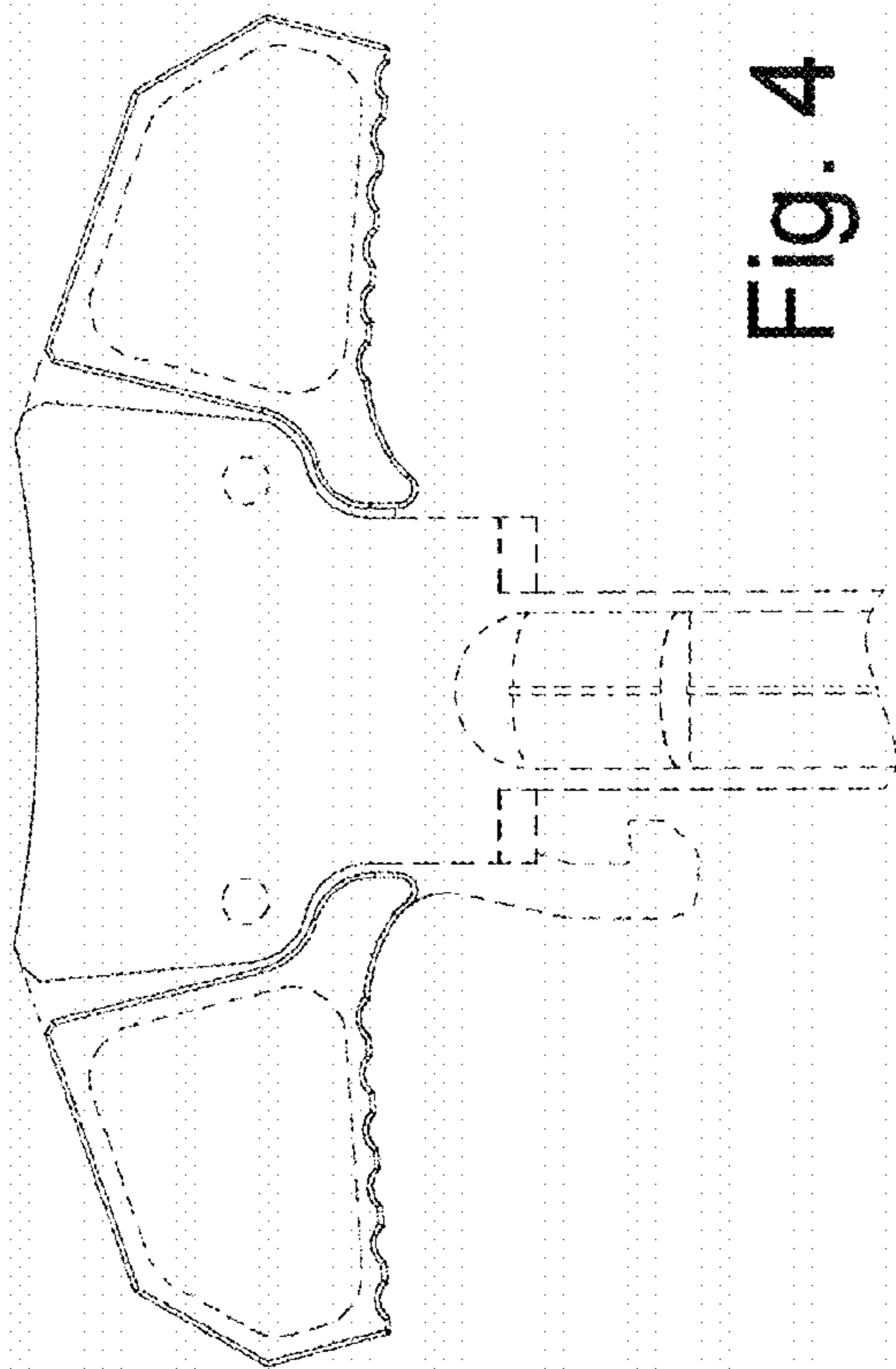


Fig. 4

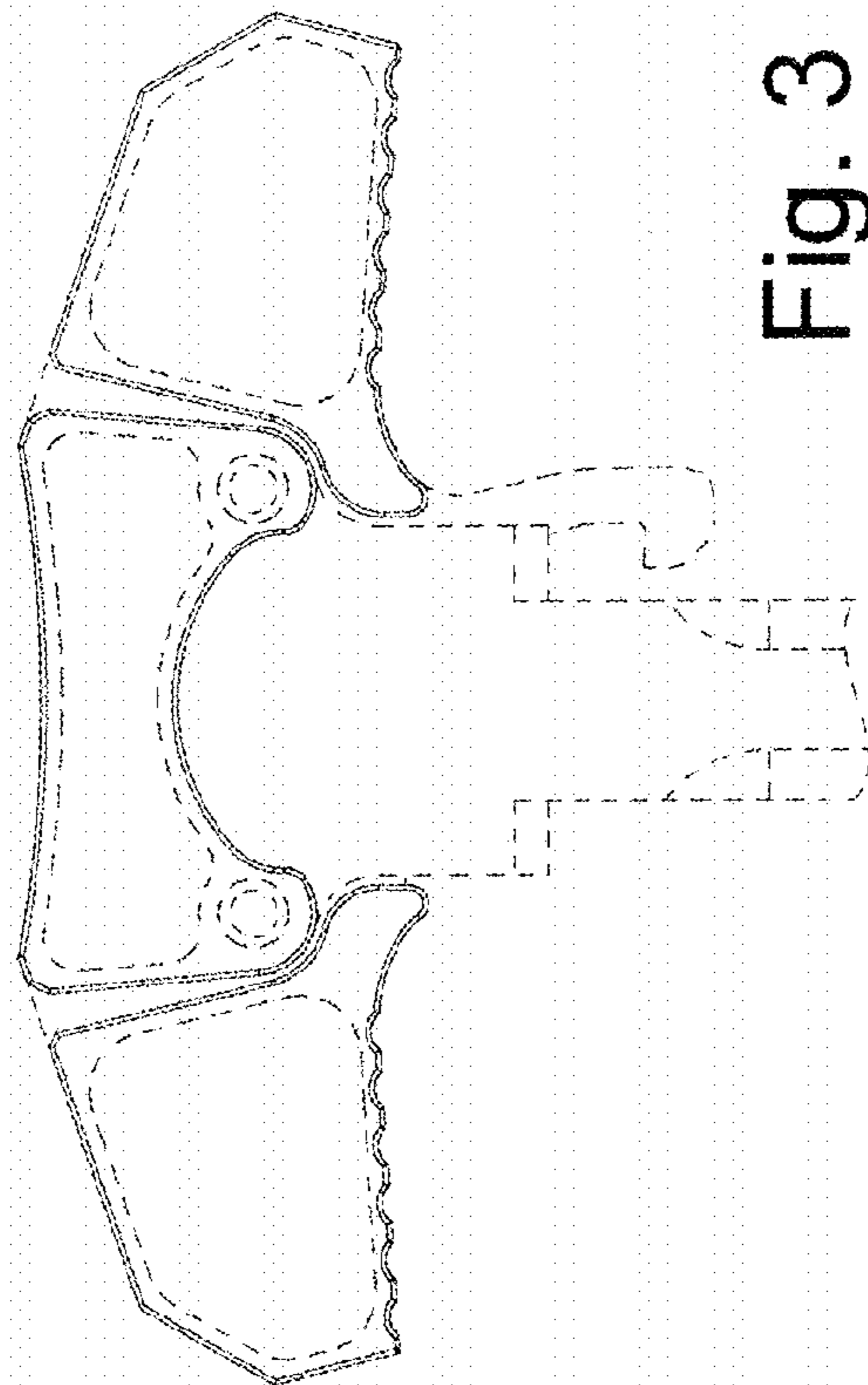


Fig. 3

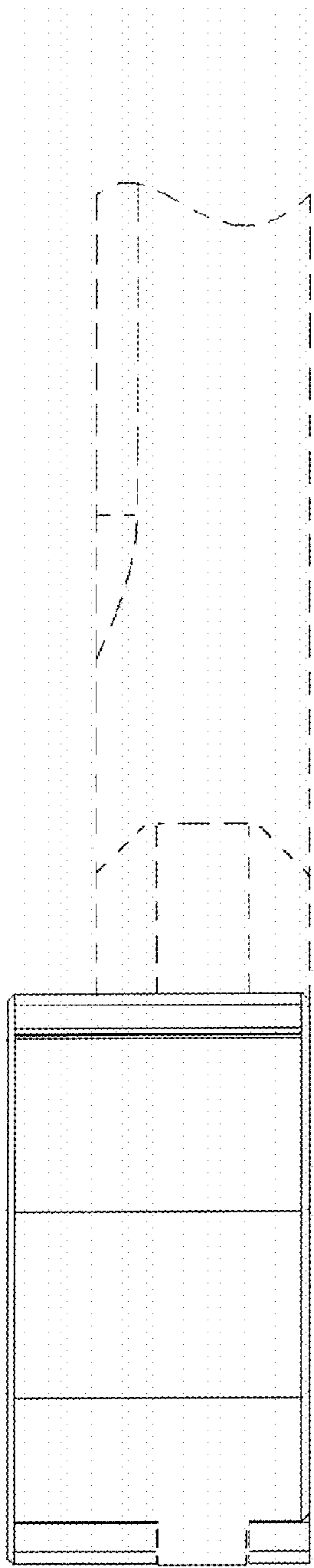


Fig. 5

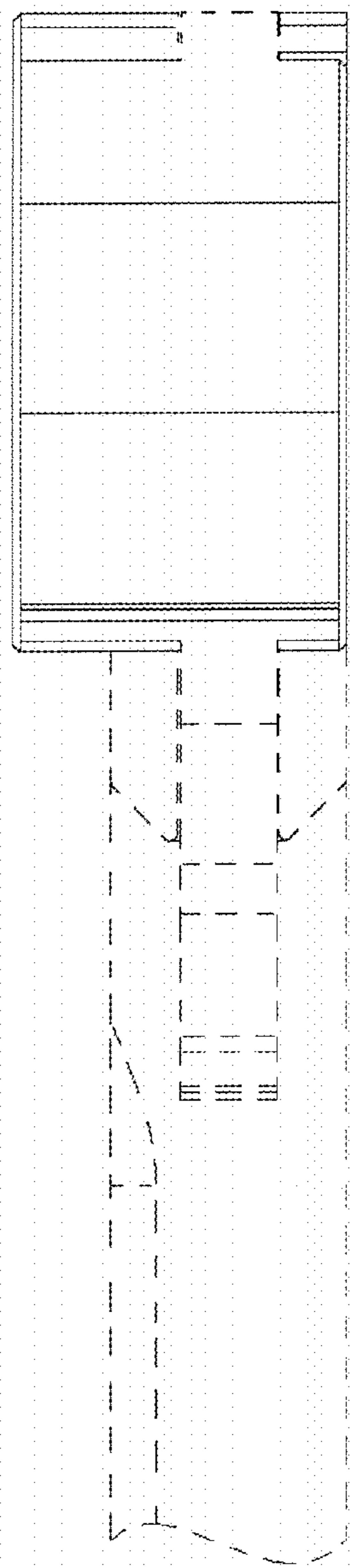


Fig. 6

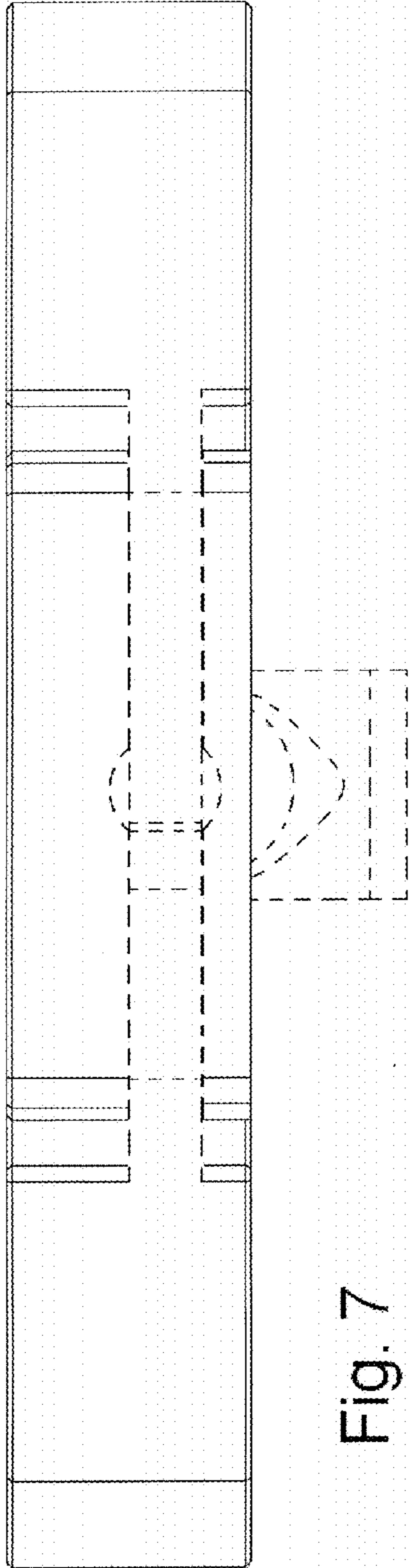


Fig. 7

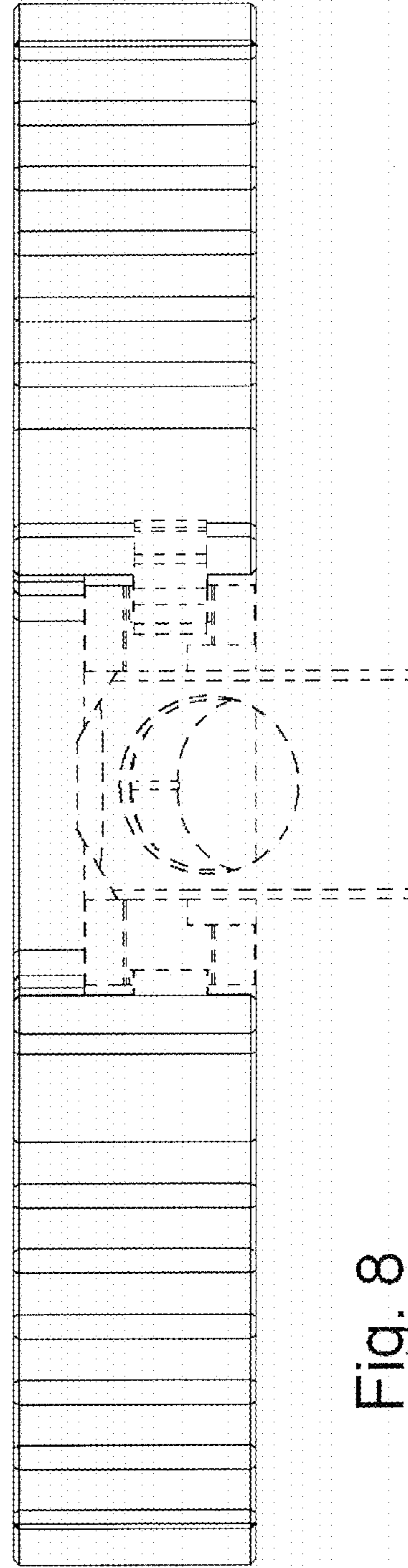


Fig. 8