



US00D749686S

(12) **United States Design Patent**
Gilmore

(10) **Patent No.:** **US D749,686 S**

(45) **Date of Patent:** **** Feb. 16, 2016**

(54) **COLLAPSIBLE TENT FOR USE ON A BED**

(71) Applicant: **Sean H. Gilmore**, Houston, TX (US)

(72) Inventor: **Sean H. Gilmore**, Houston, TX (US)

(**) Term: **14 Years**

(21) Appl. No.: **29/497,117**

(22) Filed: **Jul. 21, 2014**

(51) **LOC (10) Cl.** **21-04**

(52) **U.S. Cl.**
USPC **D21/834**

(58) **Field of Classification Search**

USPC D21/834, 838, 839; D6/389, 382, 602,
D6/606, 610, 616; 135/90, 96, 124-126,
135/137; 5/414, 424
CPC E04H 15/20; E04H 15/32; E04H 15/324;
E04H 15/40; A47C 21/00; A47C 21/08;
A47C 29/00

See application file for complete search history.

(56) **References Cited**

U.S. PATENT DOCUMENTS

4,590,956 A * 5/1986 Griesenbeck 135/116
D285,880 S * 9/1986 Griesenbeck D21/838
4,641,387 A * 2/1987 Bondy et al. 5/658
5,502,927 A * 4/1996 Hammerton 52/218
D469,496 S * 1/2003 Schur D21/834
D546,914 S * 7/2007 Yoder D21/835

7,430,770 B2 * 10/2008 Ramirez 5/424
7,735,167 B2 * 6/2010 Kline et al. 5/414
8,087,110 B1 * 1/2012 Park et al. 5/414
D681,146 S * 4/2013 Sperry et al. D21/838

* cited by examiner

Primary Examiner — Cynthia M Chin

(74) *Attorney, Agent, or Firm* — Osha Liang LLP

(57) **CLAIM**

The ornamental design for a collapsible tent for use on a bed, as shown and described.

DESCRIPTION

FIG. 1 shows a perspective view of the collapsible tent according to new design, shown with some of the windows and doors open.

FIG. 2 shows a front view of the collapsible tent of FIG. 1.

FIG. 3 shows a front view of the collapsible tent of FIG. 1.

FIG. 4 shows a perspective view of the collapsible tent according to new design, shown with all the windows and doors closed.

FIG. 5 shows an end view of the collapsible tent of FIG. 1.

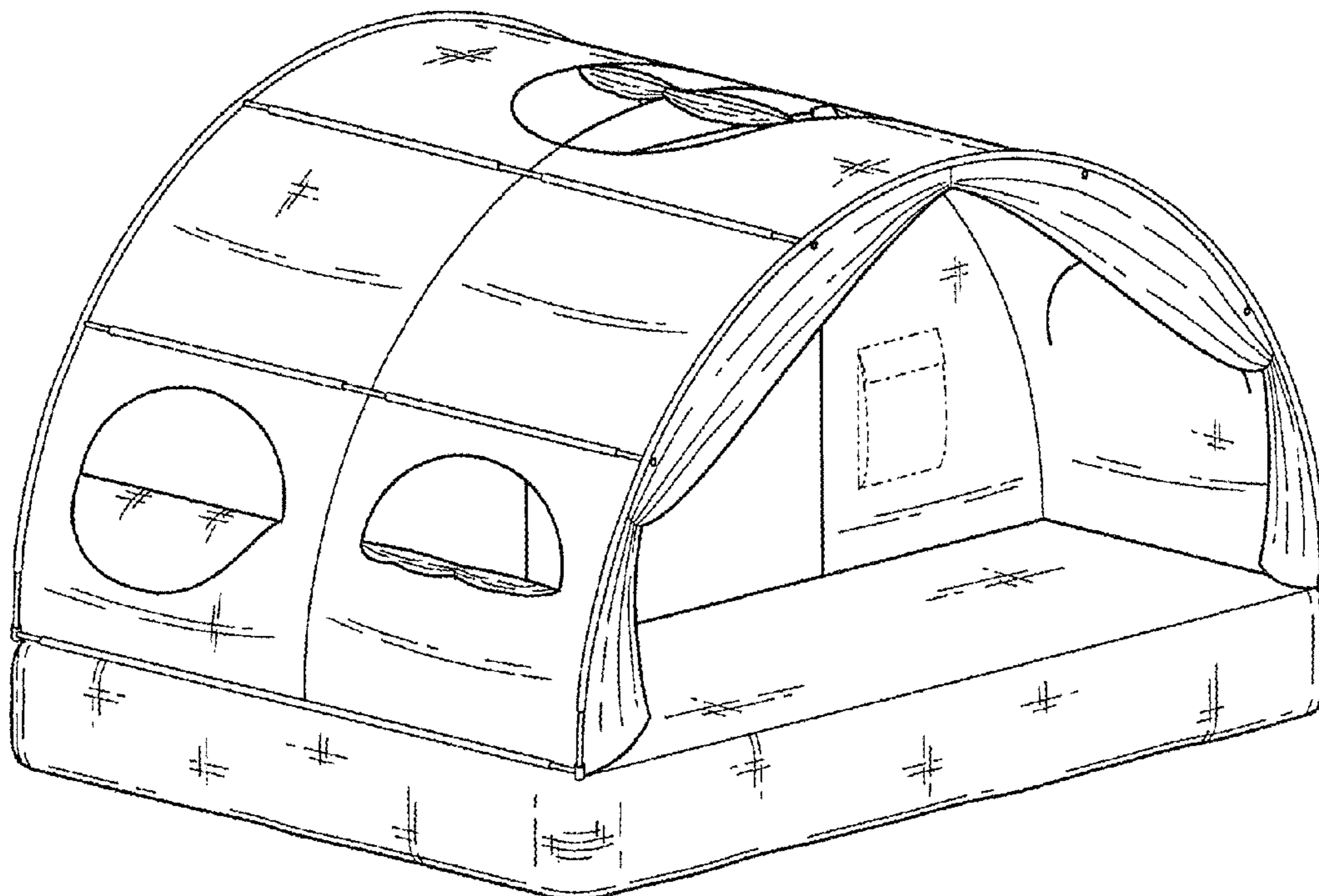
FIG. 6 shows a side view of the collapsible tent of FIG. 1.

FIG. 7 shows a top view of the collapsible tent of FIG. 1; and,

FIG. 8 shows a bottom view of the collapsible tent of FIG. 1.

The broken lines shown are included for the purpose of illustrating the unclaimed portions of the article and form no part of the claimed design.

1 Claim, 5 Drawing Sheets



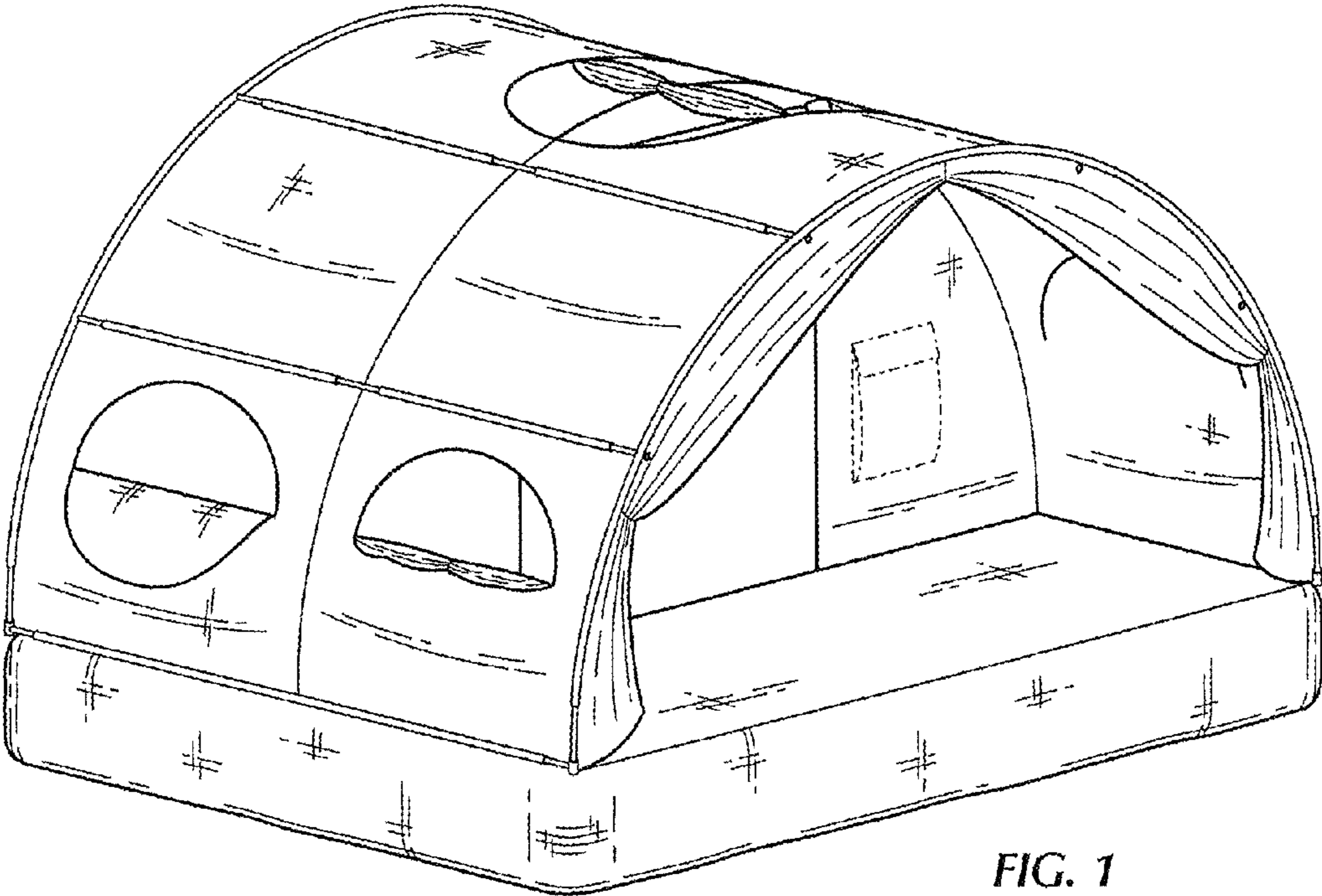


FIG. 1

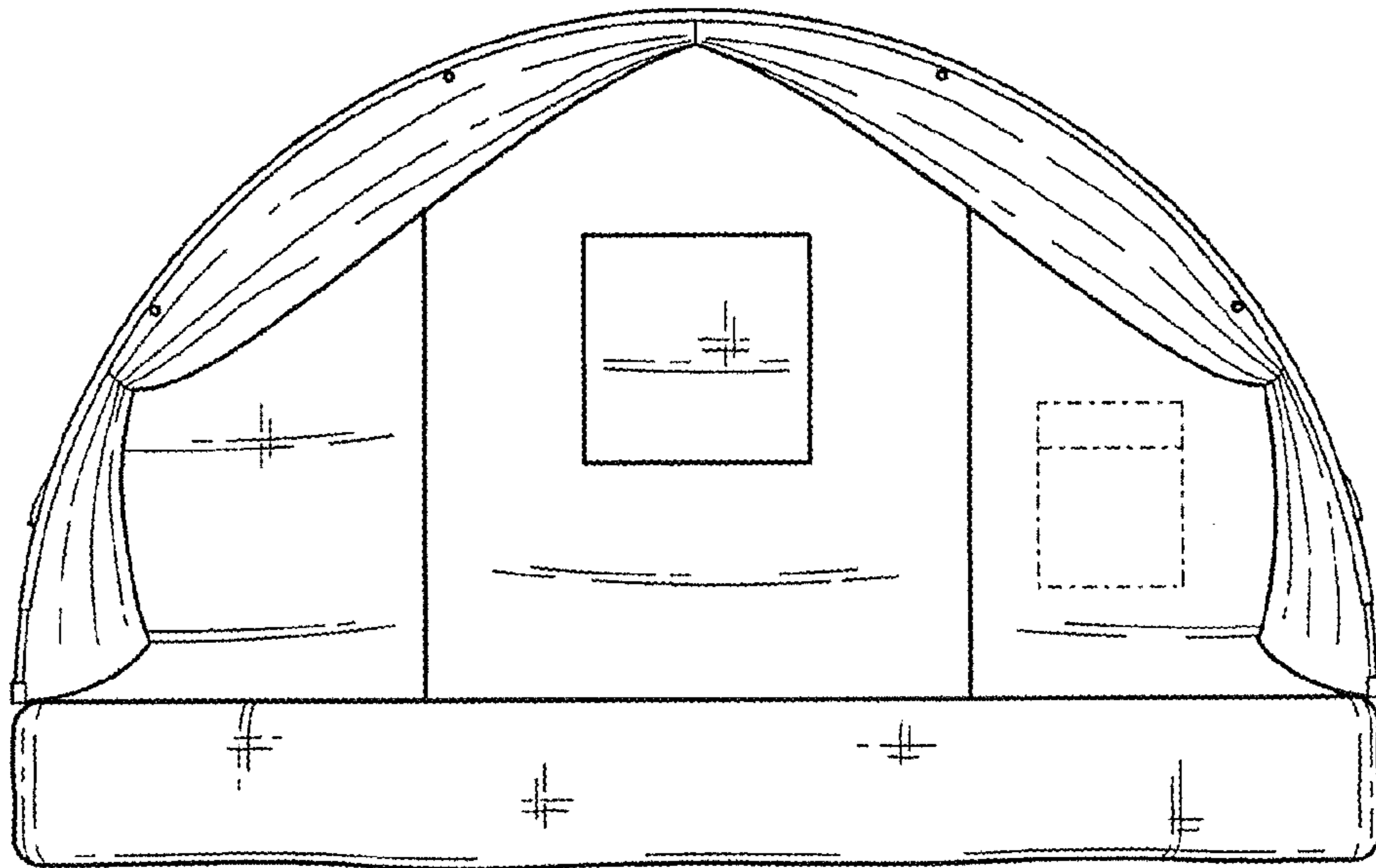


FIG. 2

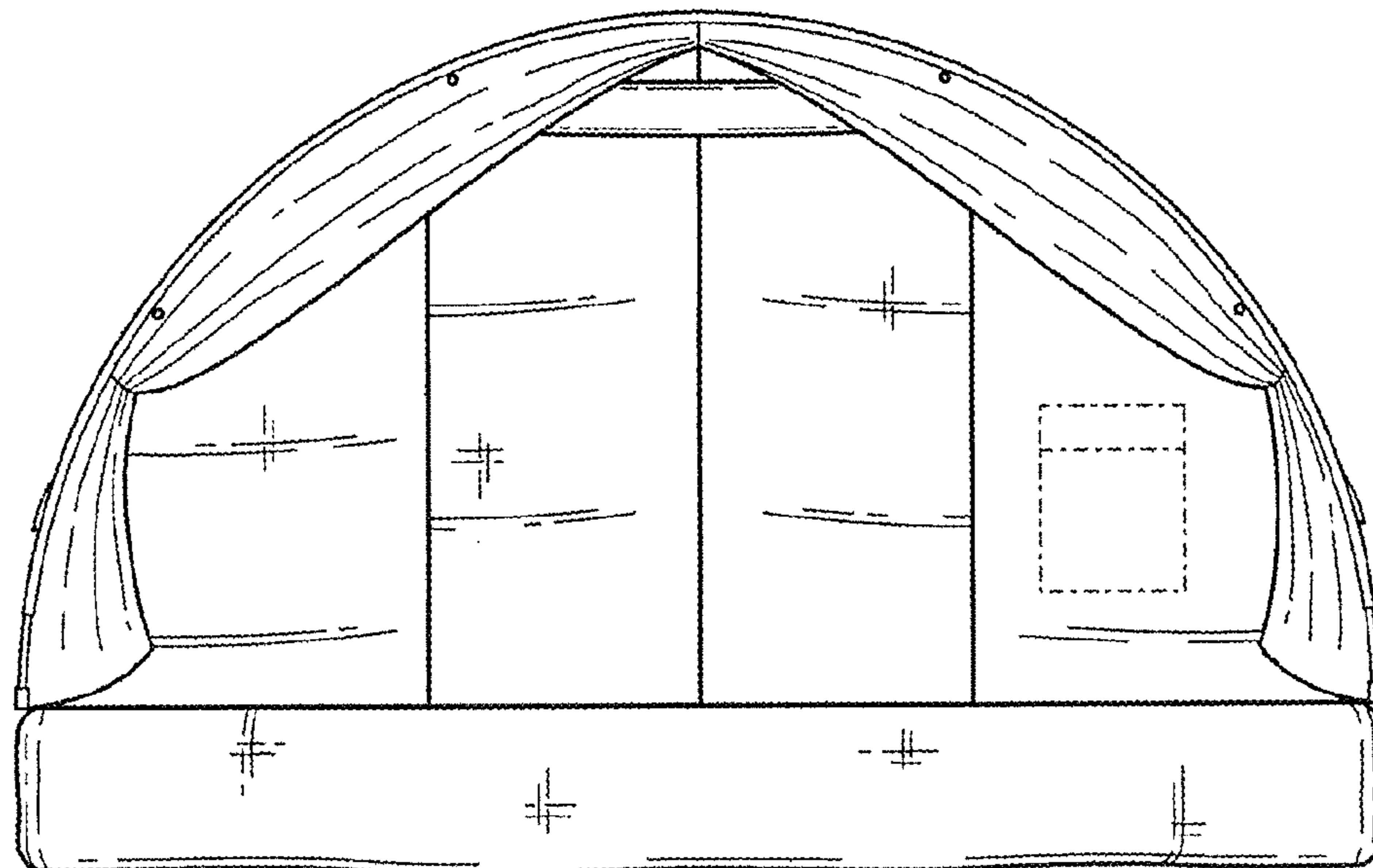


FIG. 3

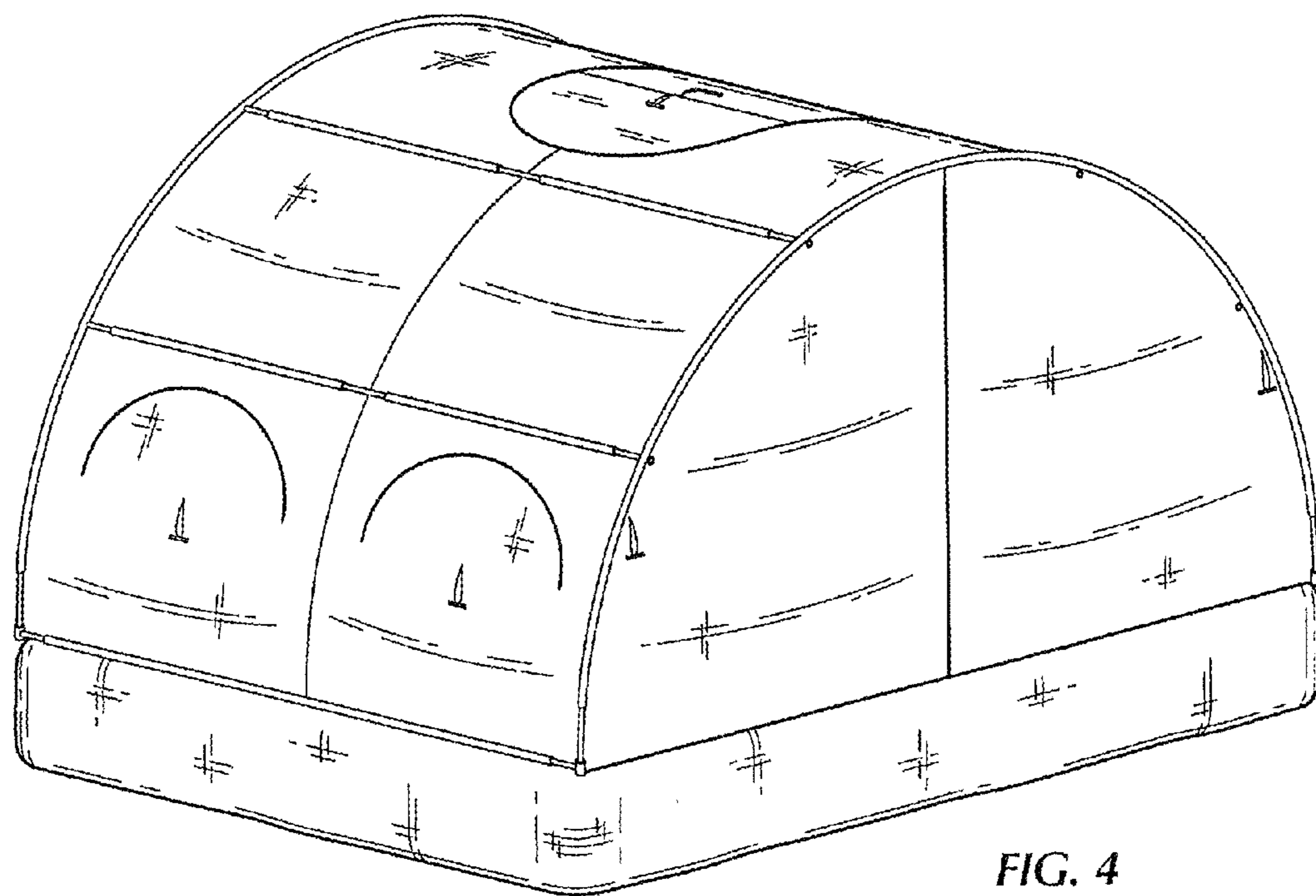


FIG. 4

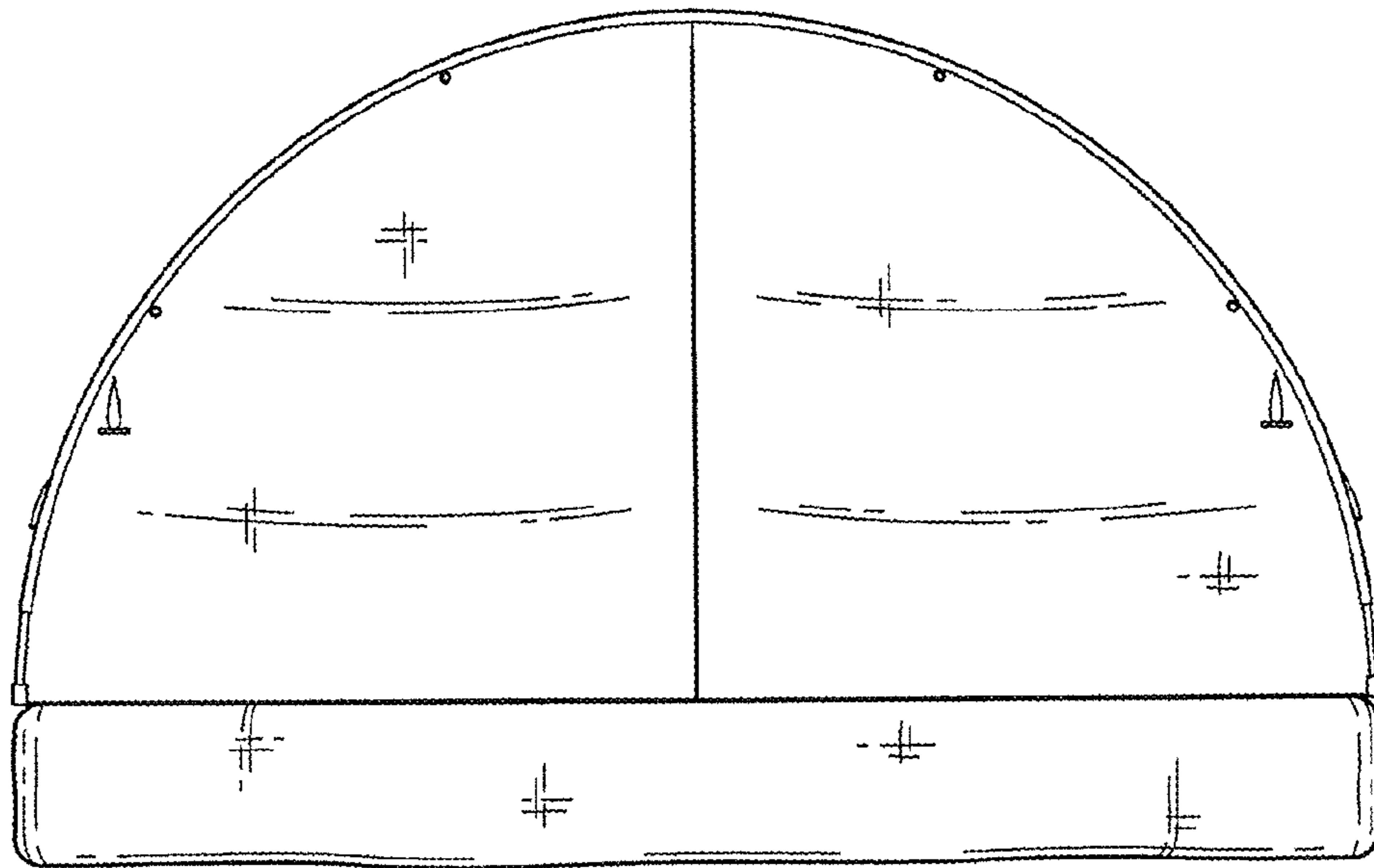


FIG. 5

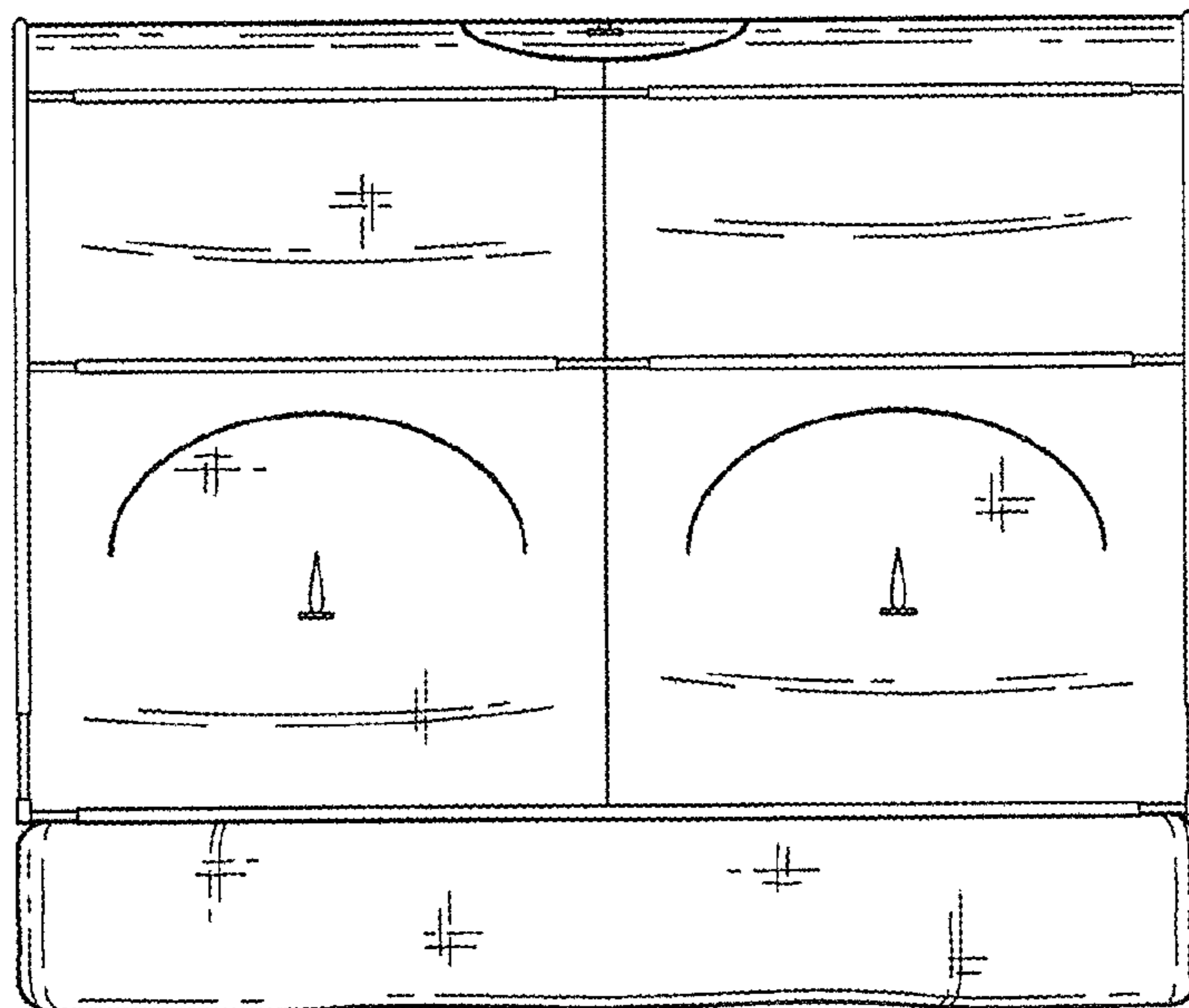


FIG. 6

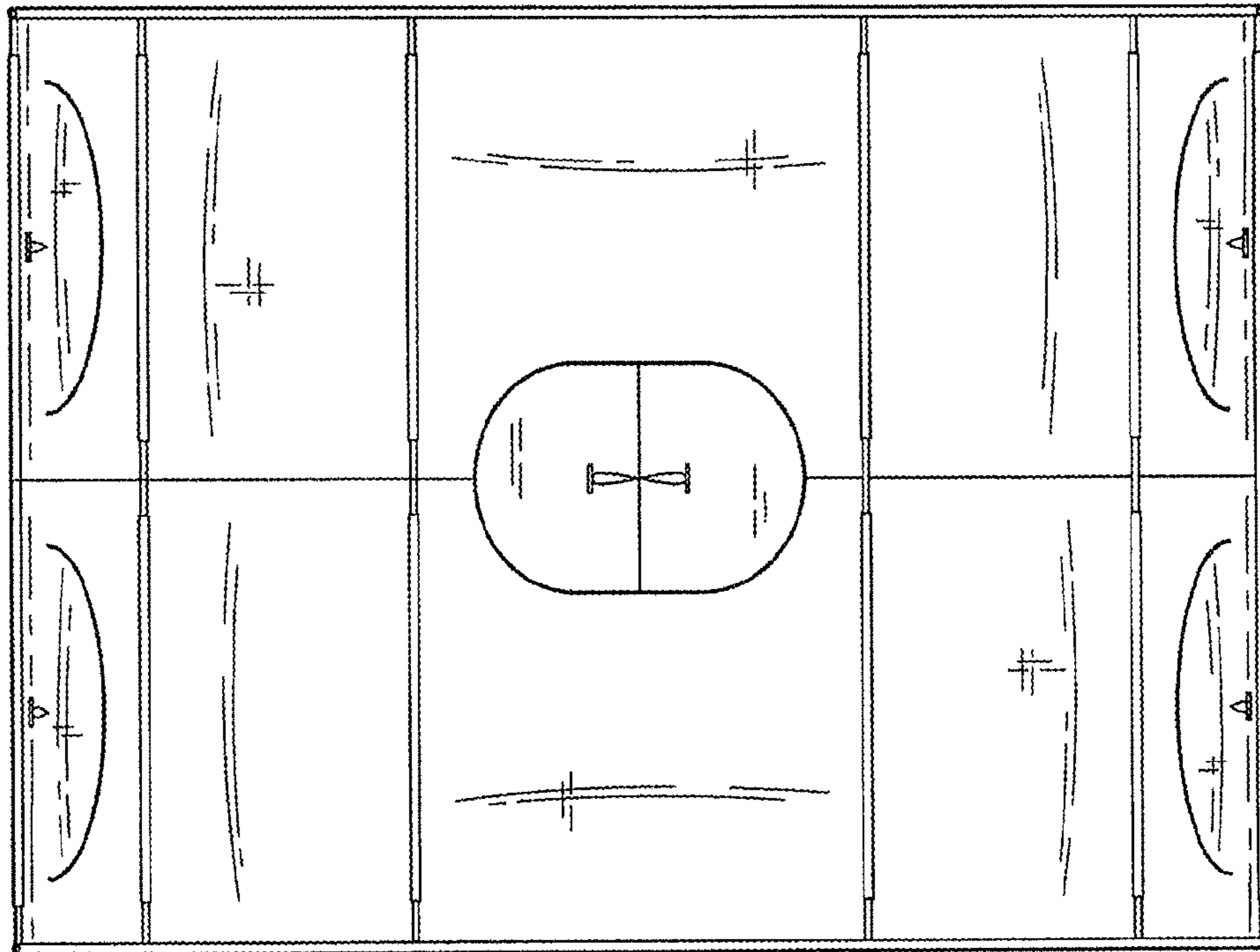


FIG. 7

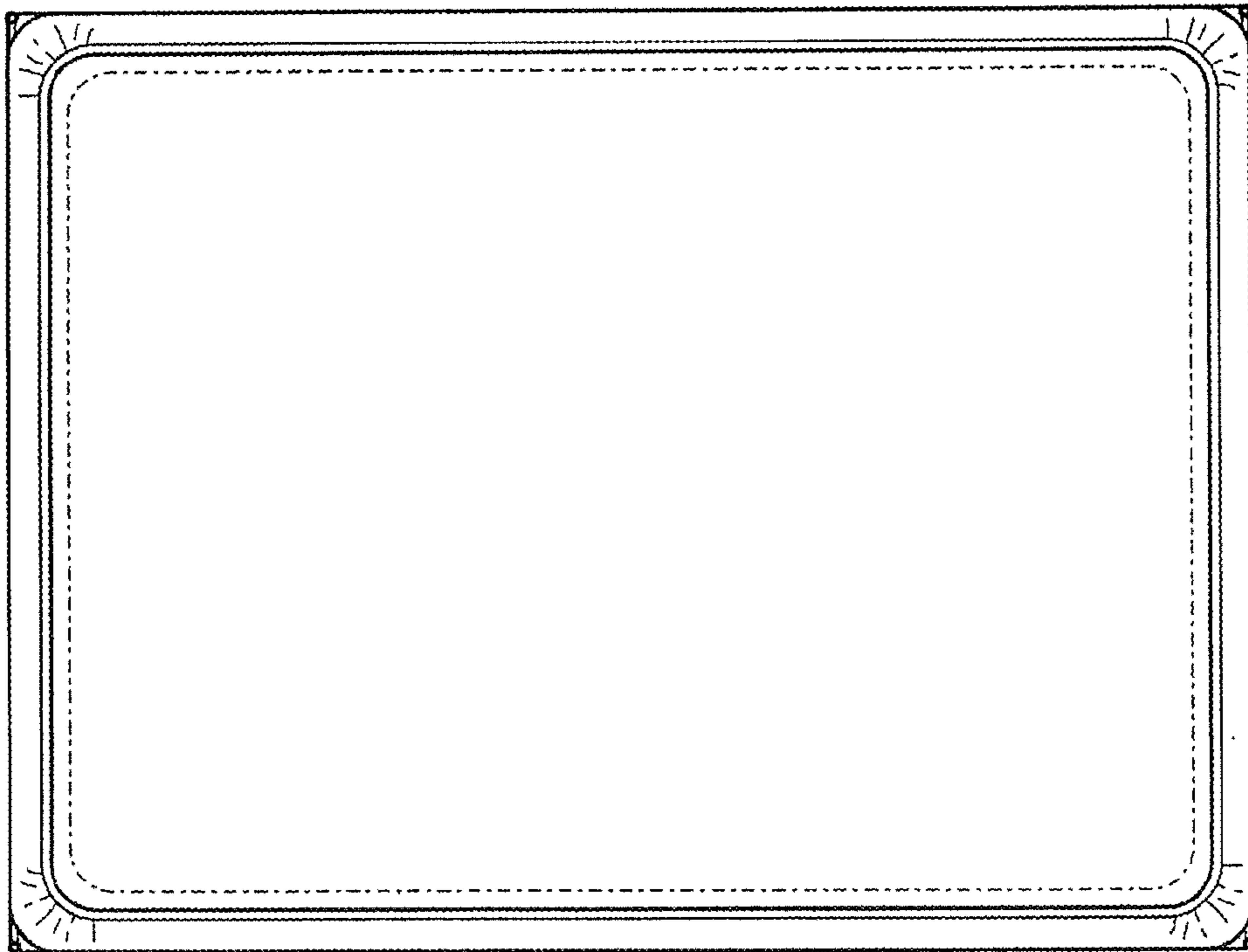


FIG. 8