



US00D749685S

(12) **United States Design Patent**  
**Dolezel**

(10) **Patent No.:** **US D749,685 S**  
(45) **Date of Patent:** **\*\* Feb. 16, 2016**

- (54) **PUTTER CLUB HEAD**
- (71) Applicant: **DUNLOP SPORTS CO. LTD.**,  
Kobe-shi, Hyogo (JP)
- (72) Inventor: **Keith Dolezel**, Covina, CA (US)
- (73) Assignee: **DUNLOP SPORTS CO. LTD.**,  
Kobe-shi (JP)
- (\*\*) Term: **14 Years**
- (21) Appl. No.: **29/514,811**
- (22) Filed: **Jan. 16, 2015**
- (51) **LOC (10) Cl.** ..... **21-02**
- (52) **U.S. Cl.**  
USPC ..... **D21/759**
- (58) **Field of Classification Search**  
USPC ..... D21/736–746, 759  
CPC ... A63B 53/065; A63B 53/0487; A63B 53/00  
See application file for complete search history.

(56) **References Cited**

**U.S. PATENT DOCUMENTS**

D457,586 S *	5/2002	Tang	.....	D21/759
D461,515 S *	8/2002	Tang	.....	D21/742
D461,860 S *	8/2002	Tang	.....	D21/742
D463,002 S *	9/2002	Tang	.....	D21/759
D467,985 S *	12/2002	Tang	.....	D21/742
D471,245 S *	3/2003	Tang	.....	D21/742
D471,940 S *	3/2003	Tang	.....	D21/742
D472,595 S *	4/2003	Tang	.....	D21/735
D477,041 S *	7/2003	Cameron	.....	D21/742
D485,323 S *	1/2004	Wagner	.....	D21/744
D494,237 S *	8/2004	Ware	.....	D21/736
D496,418 S *	9/2004	Tang	.....	D21/738
D499,778 S *	12/2004	Cameron	.....	D21/742
D506,237 S *	6/2005	Byrne	.....	D21/759
D506,796 S *	6/2005	Li	.....	D21/742
D513,777 S *	1/2006	Cuellar	.....	D21/759
D520,583 S *	5/2006	Rollinson	.....	D21/742
7,166,036 B2 *	1/2007	Byrne	.....	A63B 53/0487 473/242
D572,780 S *	7/2008	Rollinson	.....	D21/744

D592,717 S *	5/2009	Rollinson	.....	D21/742
D594,073 S *	6/2009	Kadoya	.....	D21/744
D595,793 S *	7/2009	Rollinson	.....	D21/736
D619,665 S *	7/2010	Rollinson	.....	D21/742
D621,462 S *	8/2010	Serrano	.....	D21/742
D630,690 S *	1/2011	Rollinson	.....	D21/746
D641,815 S *	7/2011	Rollinson	.....	D21/744
D641,816 S *	7/2011	Rollinson	.....	D21/744
D650,459 S *	12/2011	Rollinson	.....	D21/746
D709,971 S *	7/2014	Trahan	.....	D21/759
D709,972 S *	7/2014	Trahan	.....	D21/759
D709,973 S *	7/2014	Trahan	.....	D21/759
D730,462 S *	5/2015	Becktor	.....	D21/742
D730,463 S *	5/2015	Dolezel	.....	D21/742
D732,120 S *	6/2015	Becktor	.....	D21/742
D732,121 S *	6/2015	Trahan	.....	D21/742
D732,122 S *	6/2015	Becktor	.....	D21/742
D732,618 S *	6/2015	Becktor	.....	D21/742
2006/0148585 A1 *	7/2006	Vinton	.....	A63B 53/0487 473/340
2009/0170629 A1 *	7/2009	Hilton	.....	A63B 53/0487 473/334

\* cited by examiner

*Primary Examiner* — Mitchell Siegel

(74) *Attorney, Agent, or Firm* — Oliff PLC

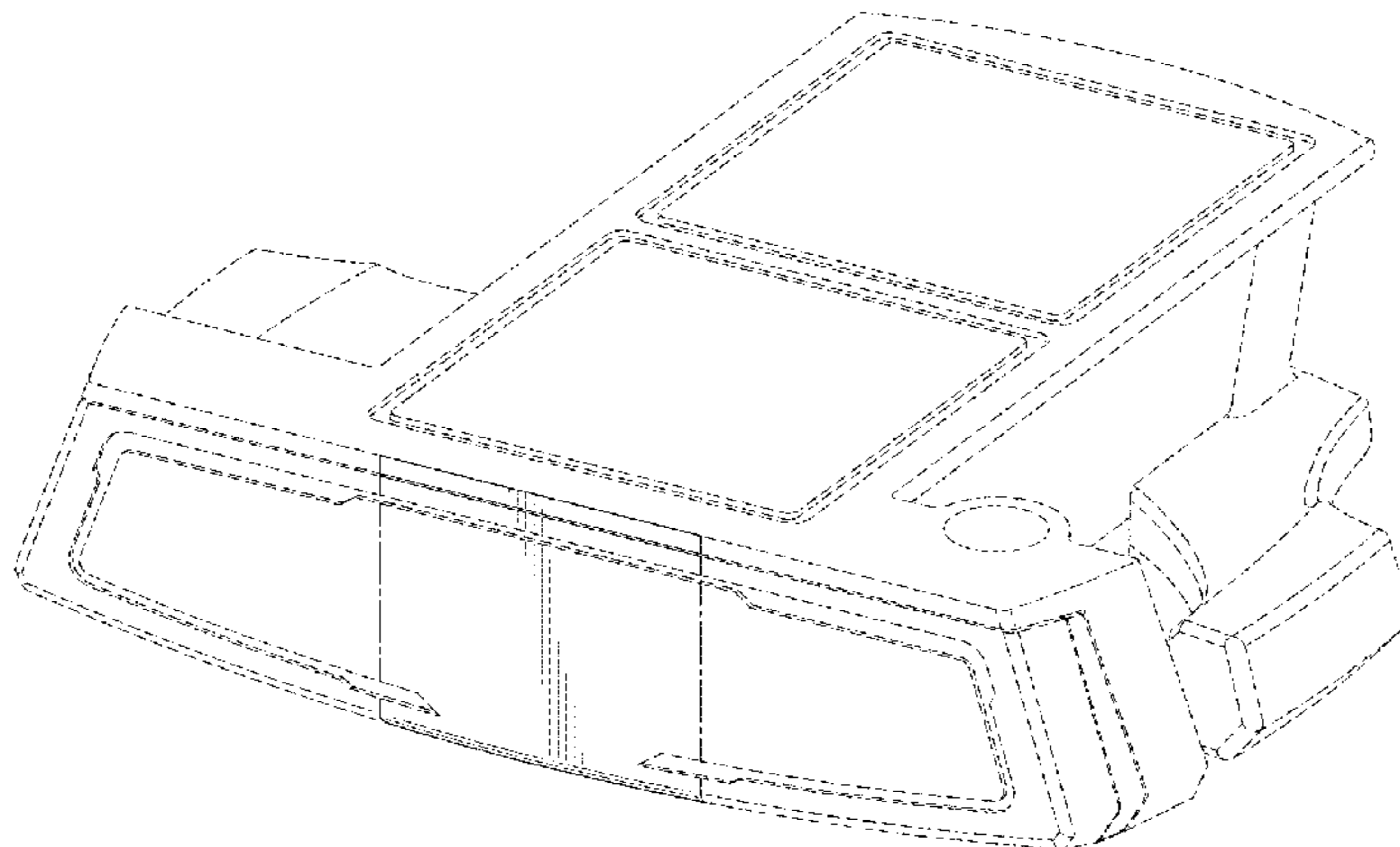
(57) **CLAIM**

The ornamental design for a putter club head, as shown and described.

**DESCRIPTION**

FIG. 1 is a top perspective view of a first embodiment of the ornamental design;  
 FIG. 2 is a front elevational view thereof;  
 FIG. 3 is a top plan view thereof;  
 FIG. 4 is a left-side elevational view thereof;  
 FIG. 5 is a right-side elevational view thereof; and,  
 FIG. 6 is a bottom plan view thereof.  
 The rear elevational view does not include any claimed subject matter, and it is thus not provided. The broken lines depict environmental subject matter only and form no part of the claimed design.

**1 Claim, 5 Drawing Sheets**



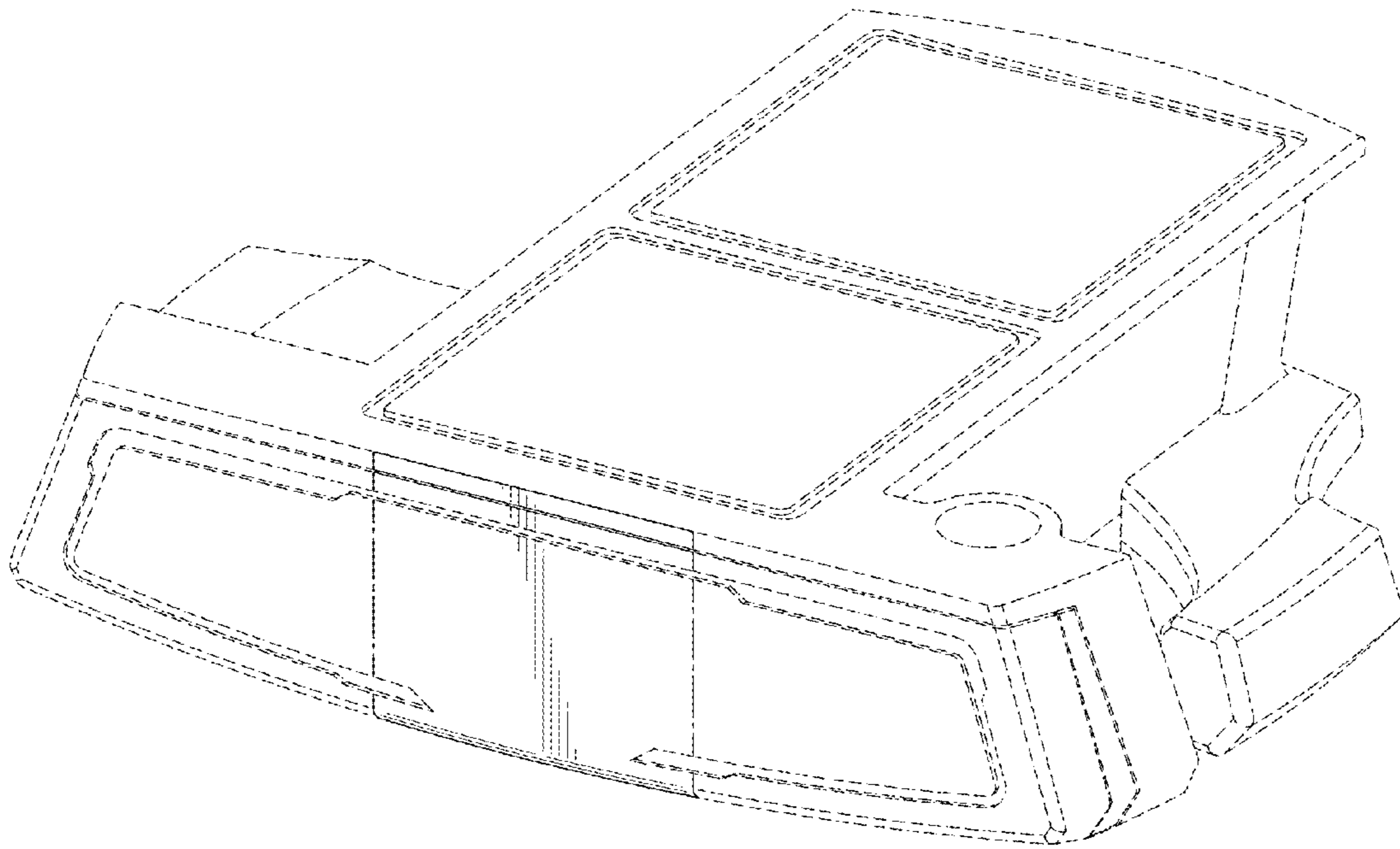


FIG. 1

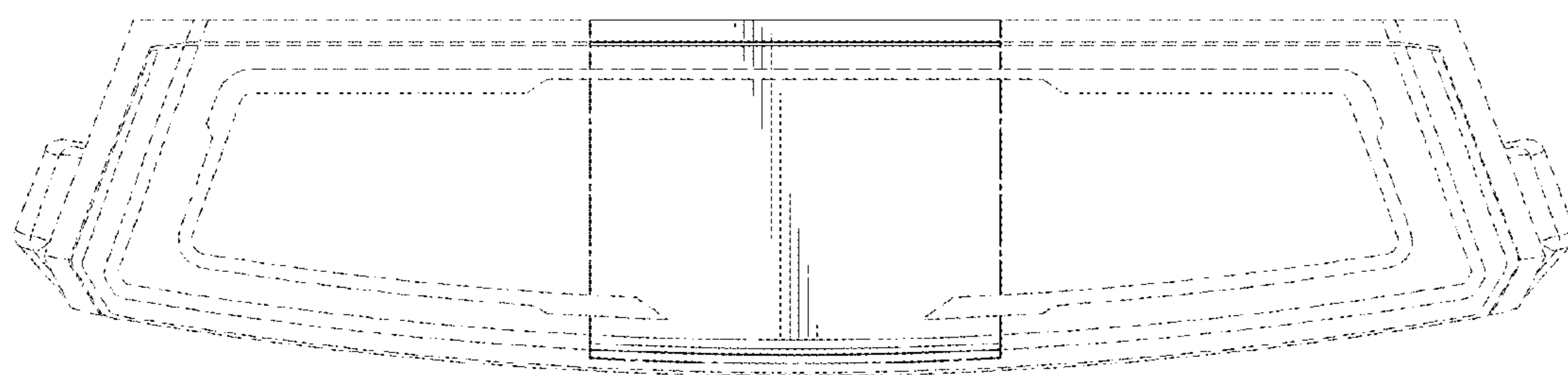


FIG. 2

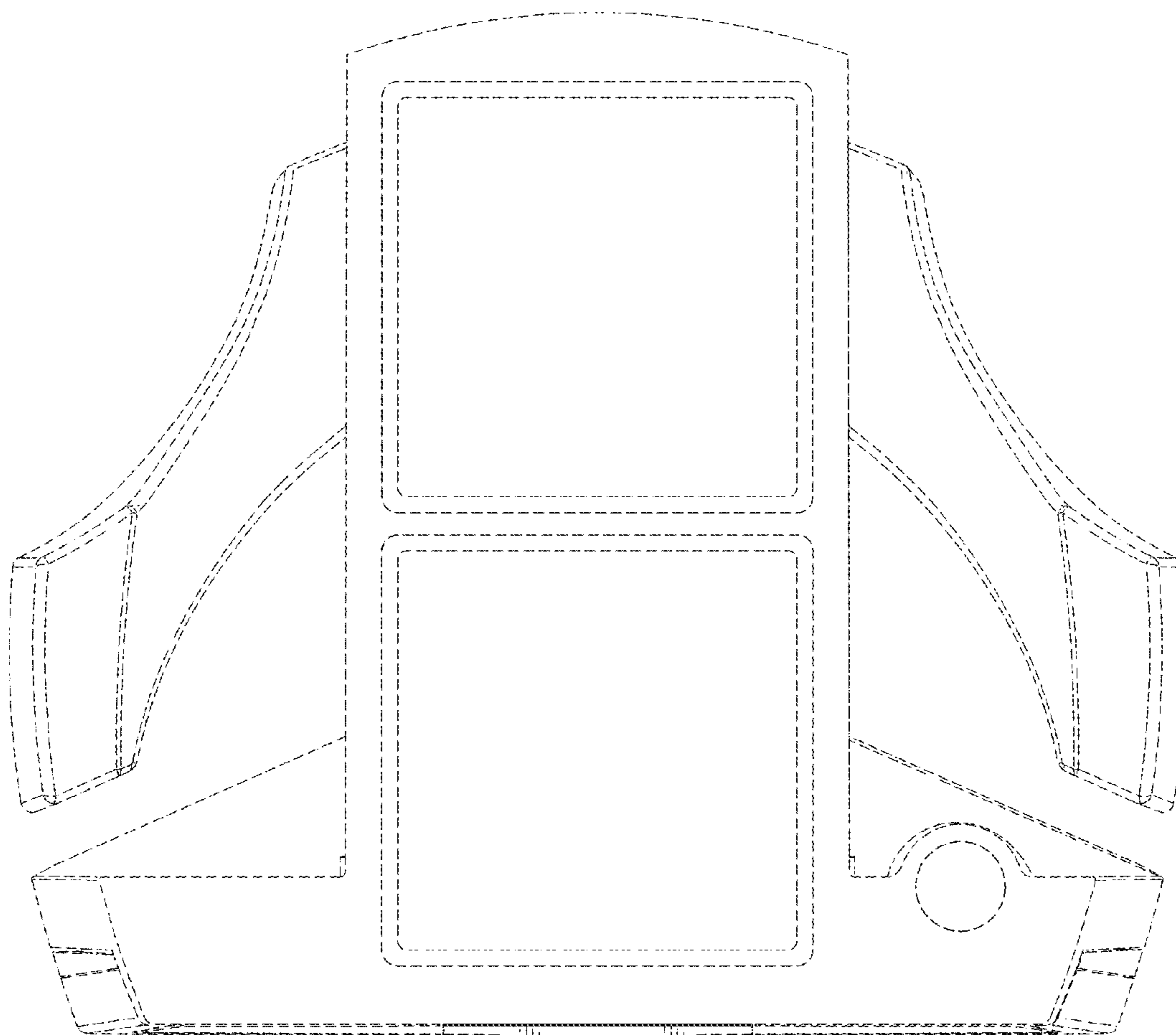


FIG. 3

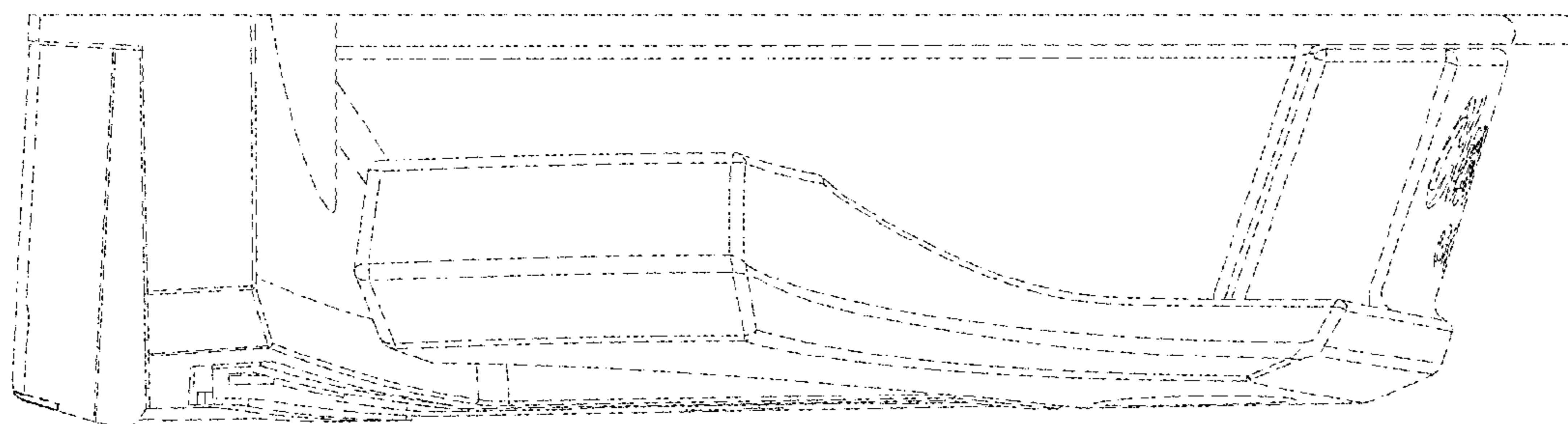


FIG. 4

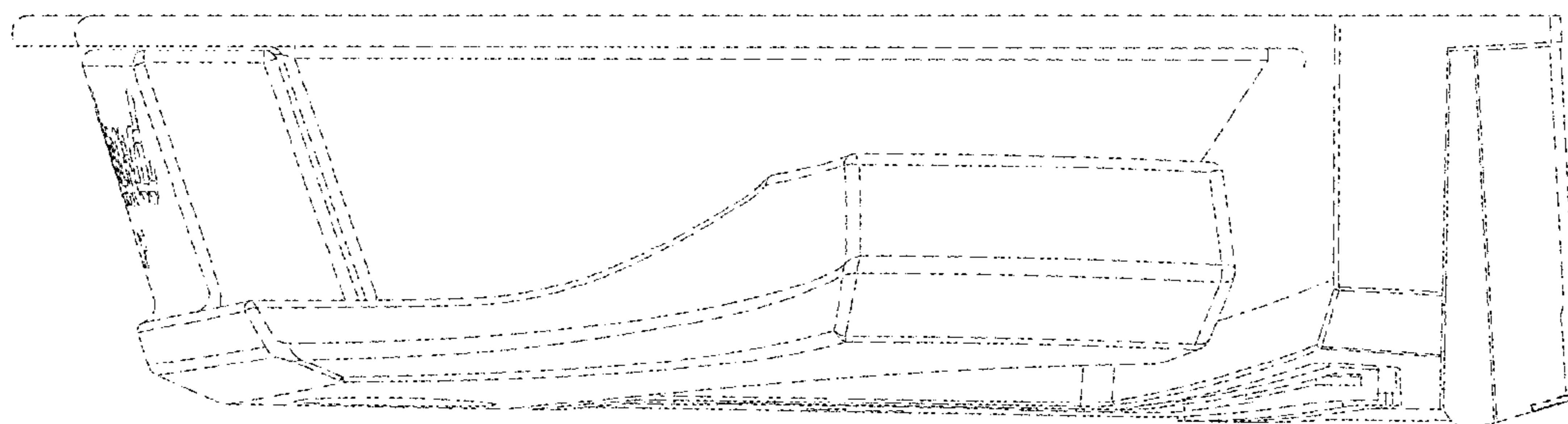


FIG. 5

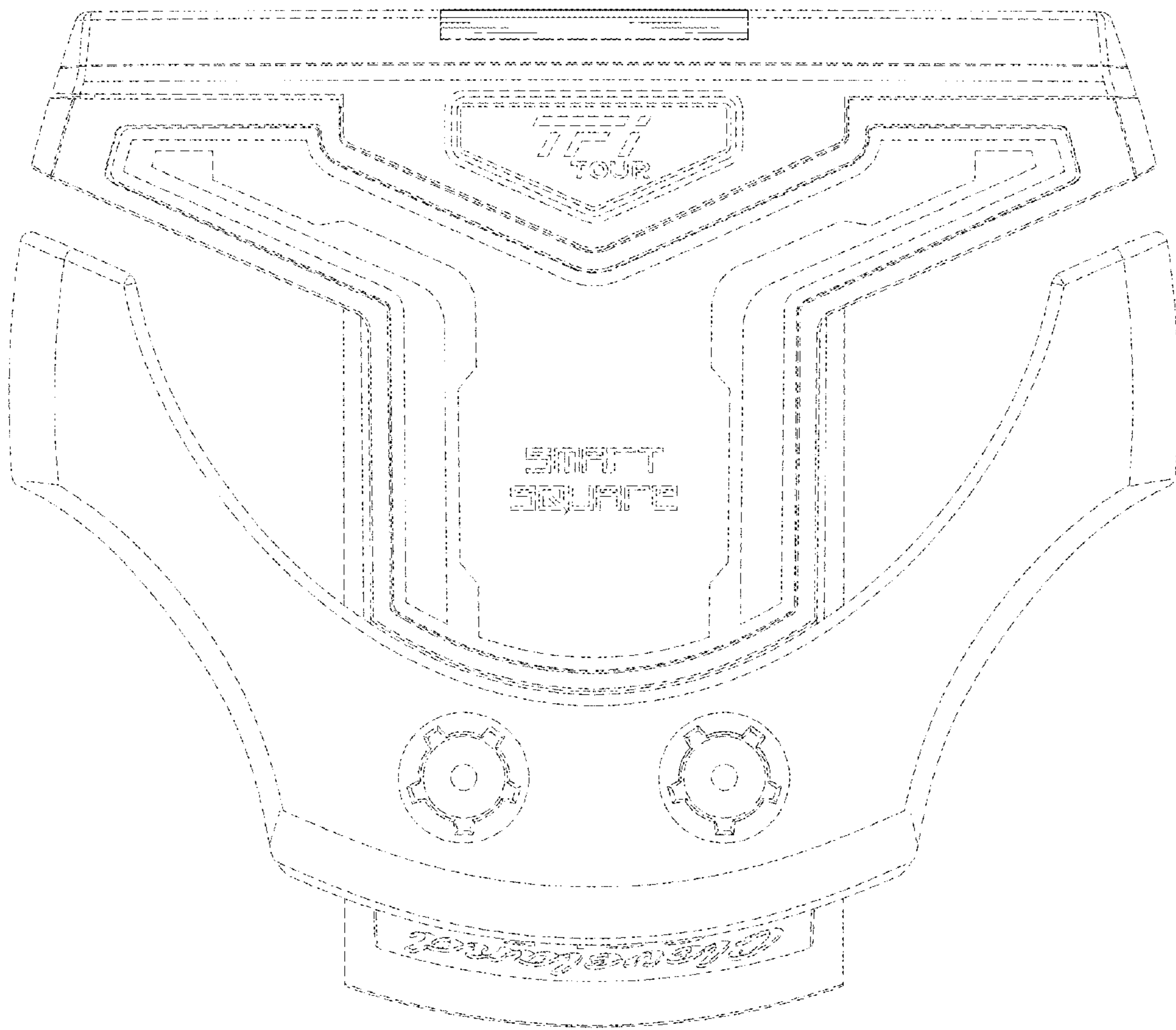


FIG. 6