



US00D749684S

(12) **United States Design Patent**  
**Holland**

(10) **Patent No.:** **US D749,684 S**  
(45) **Date of Patent:** **\*\* Feb. 16, 2016**

(54) **ATHLETIC FIELD CONE MARKER**

(56) **References Cited**

(71) Applicant: **PRO PERFORMANCE SPORTS, L.L.C.**, Carlsbad, CA (US)

U.S. PATENT DOCUMENTS

(72) Inventor: **Allen Holland**, Carlsbad, CA (US)

3,558,135 A \* 1/1971 Rees ..... A63B 69/345  
273/DIG. 4  
D390,897 S \* 2/1998 Wade ..... D21/706  
D447,250 S \* 8/2001 Dionne ..... D25/126  
D485,374 S \* 1/2004 McCue ..... D25/126

(73) Assignee: **Pro Performance Sports, L.L.C.**, Carlsbad, CA (US)

\* cited by examiner

(\*\*) Term: **14 Years**

*Primary Examiner* — George D Kirschbaum

(21) Appl. No.: **29/511,918**

(74) *Attorney, Agent, or Firm* — Squire Patton Boggs (US) LLP

(22) Filed: **Dec. 15, 2014**

(57) **CLAIM**

The ornamental design for an athletic field cone marker, as shown and described.

(51) **LOC (10) Cl.** ..... **21-02**

**DESCRIPTION**

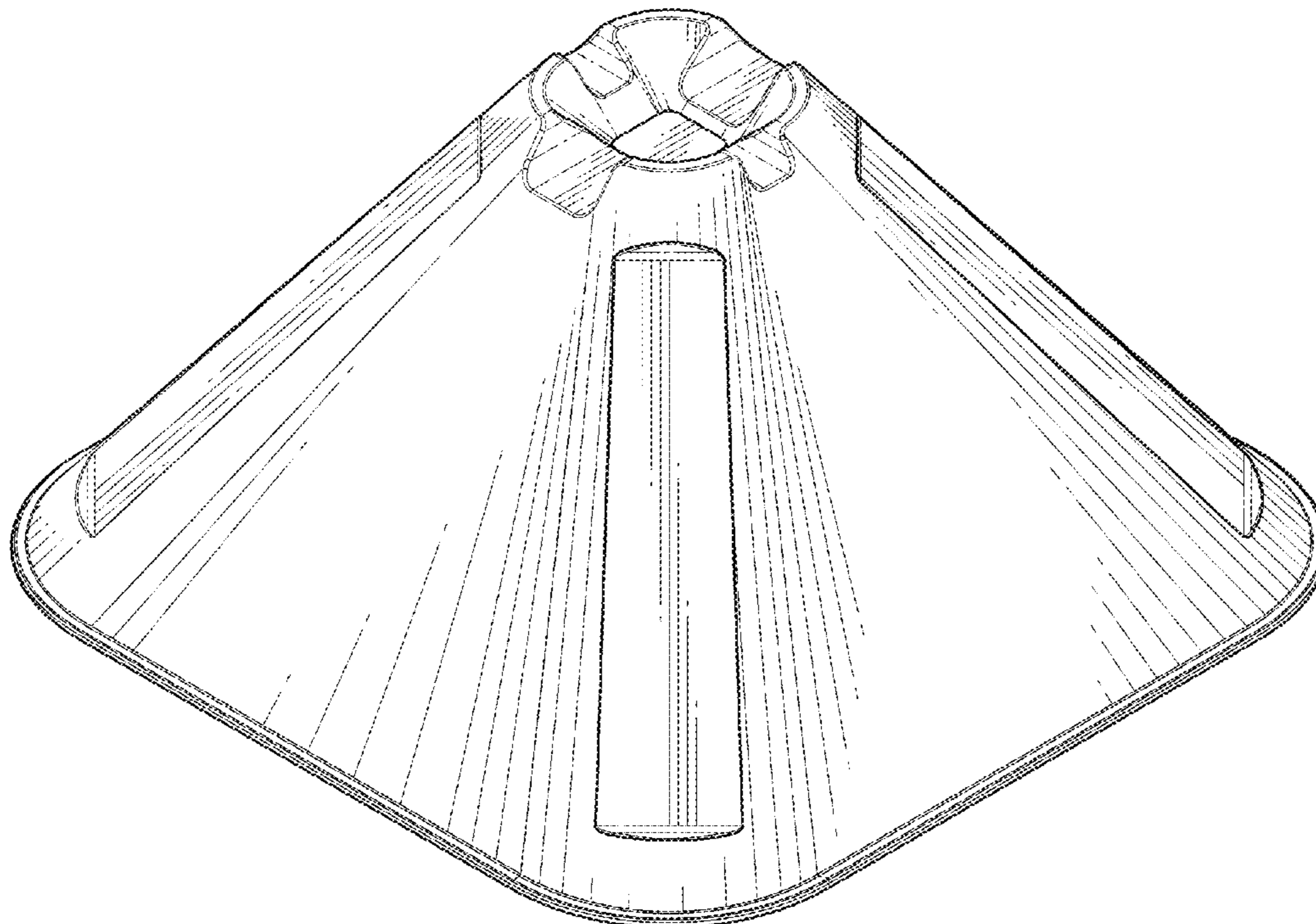
(52) **U.S. Cl.**  
USPC ..... **D21/706**

(58) **Field of Classification Search**  
USPC ..... D10/104.1, 106.9, 109.1, 109.2, 113.4,  
D10/113.2; D25/126; D21/706  
CPC ..... A63B 69/345

FIG. 1 is a top, front and left side perspective view of my new design.  
FIG. 2 is a top, front and right side perspective view.  
FIG. 3 is a front view, with the back view the same as the front view.  
FIG. 4 is a left side view, with the right side view the same as the left side view.  
FIG. 5 is a top view; and,  
FIG. 6 is a bottom view.

See application file for complete search history.

**1 Claim, 6 Drawing Sheets**



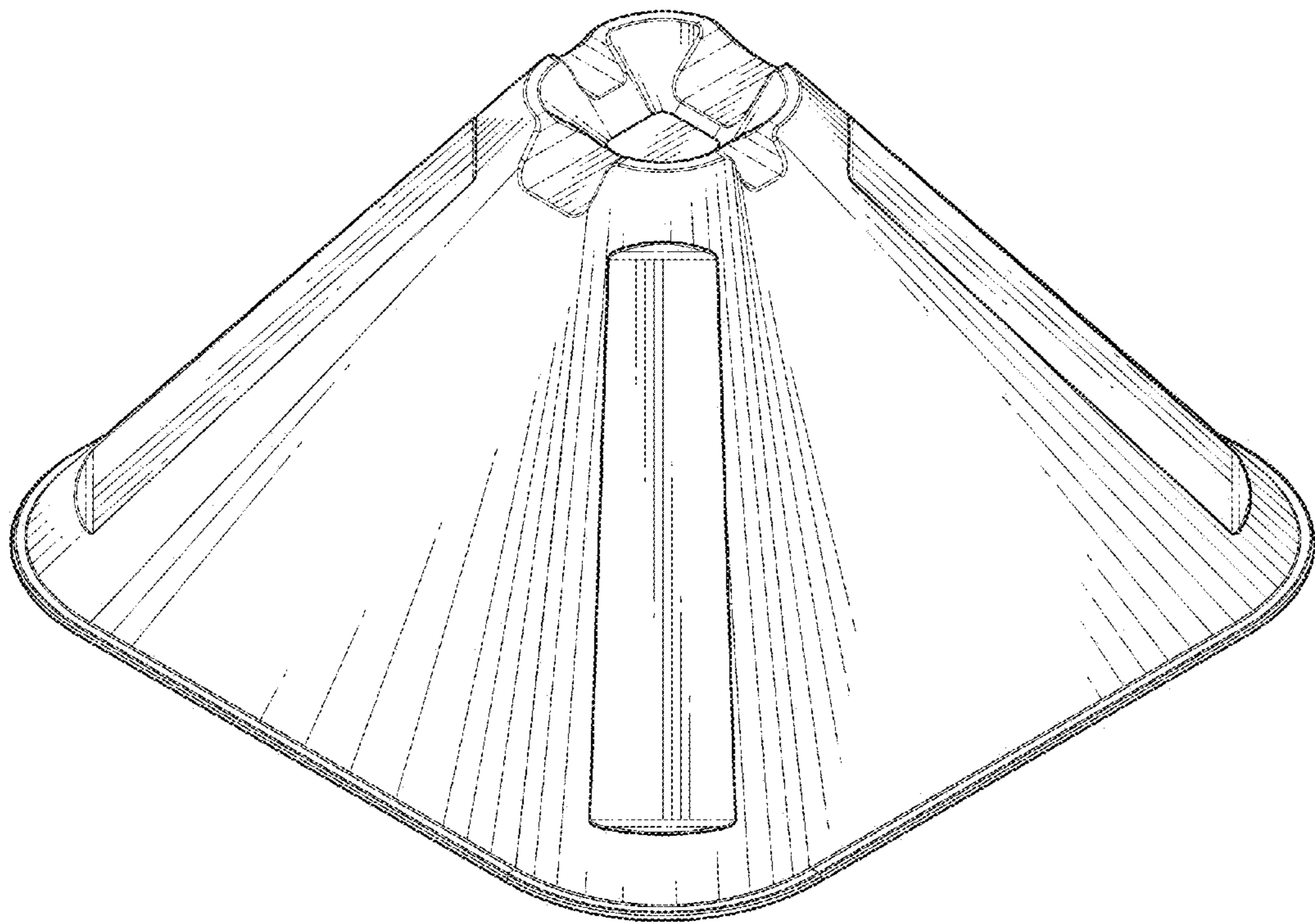


FIG. 1

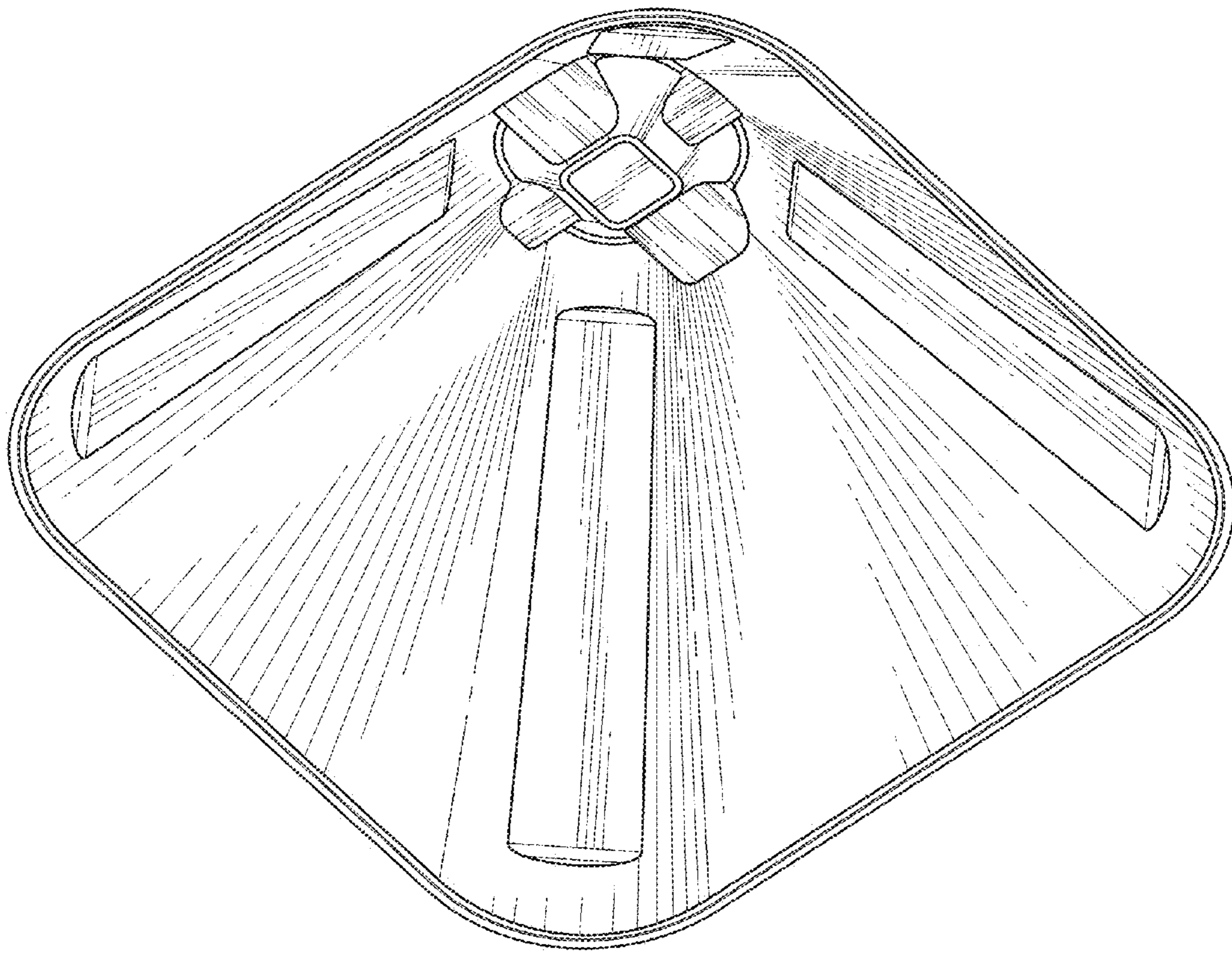


FIG. 2

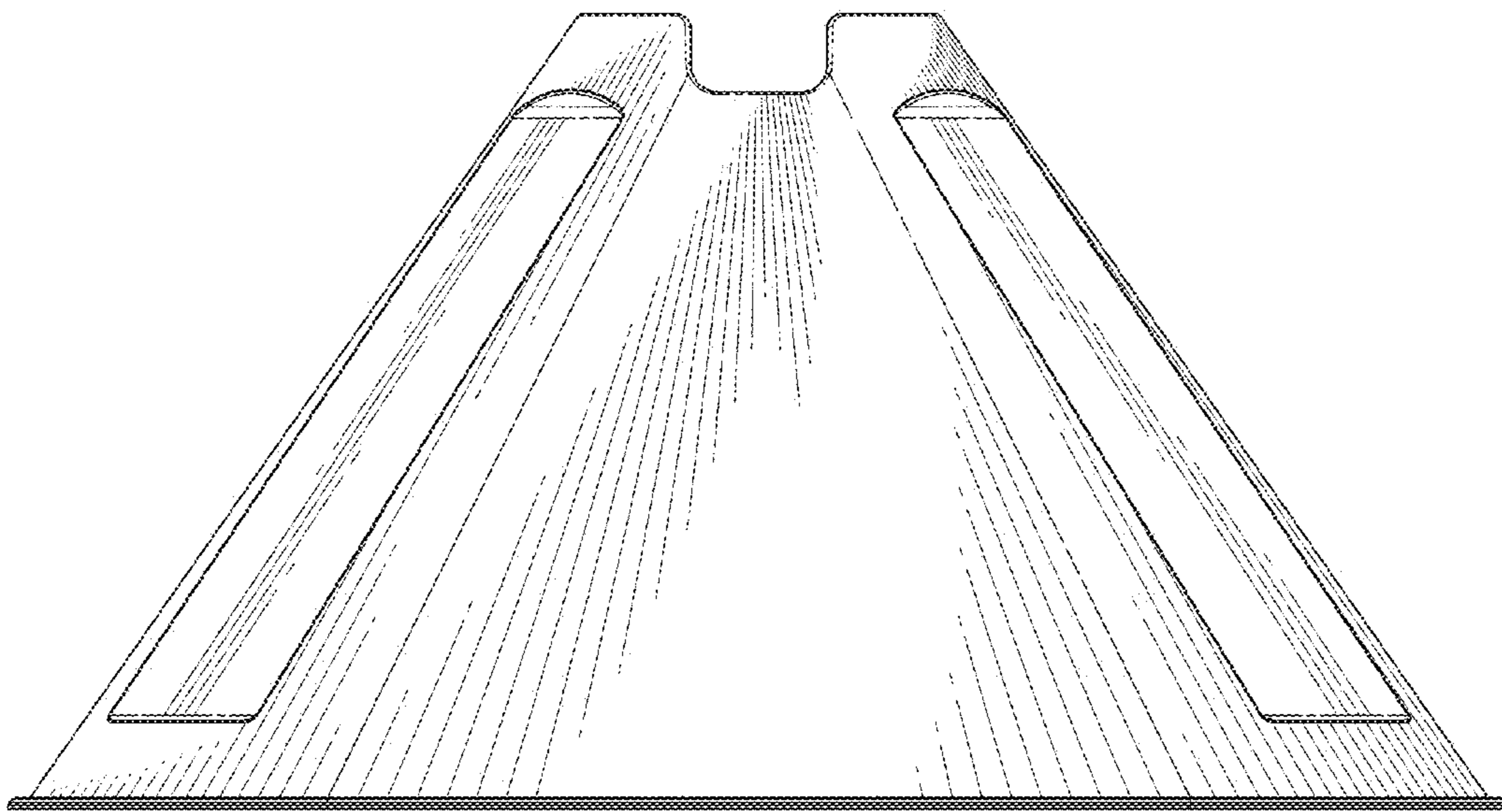


FIG. 3

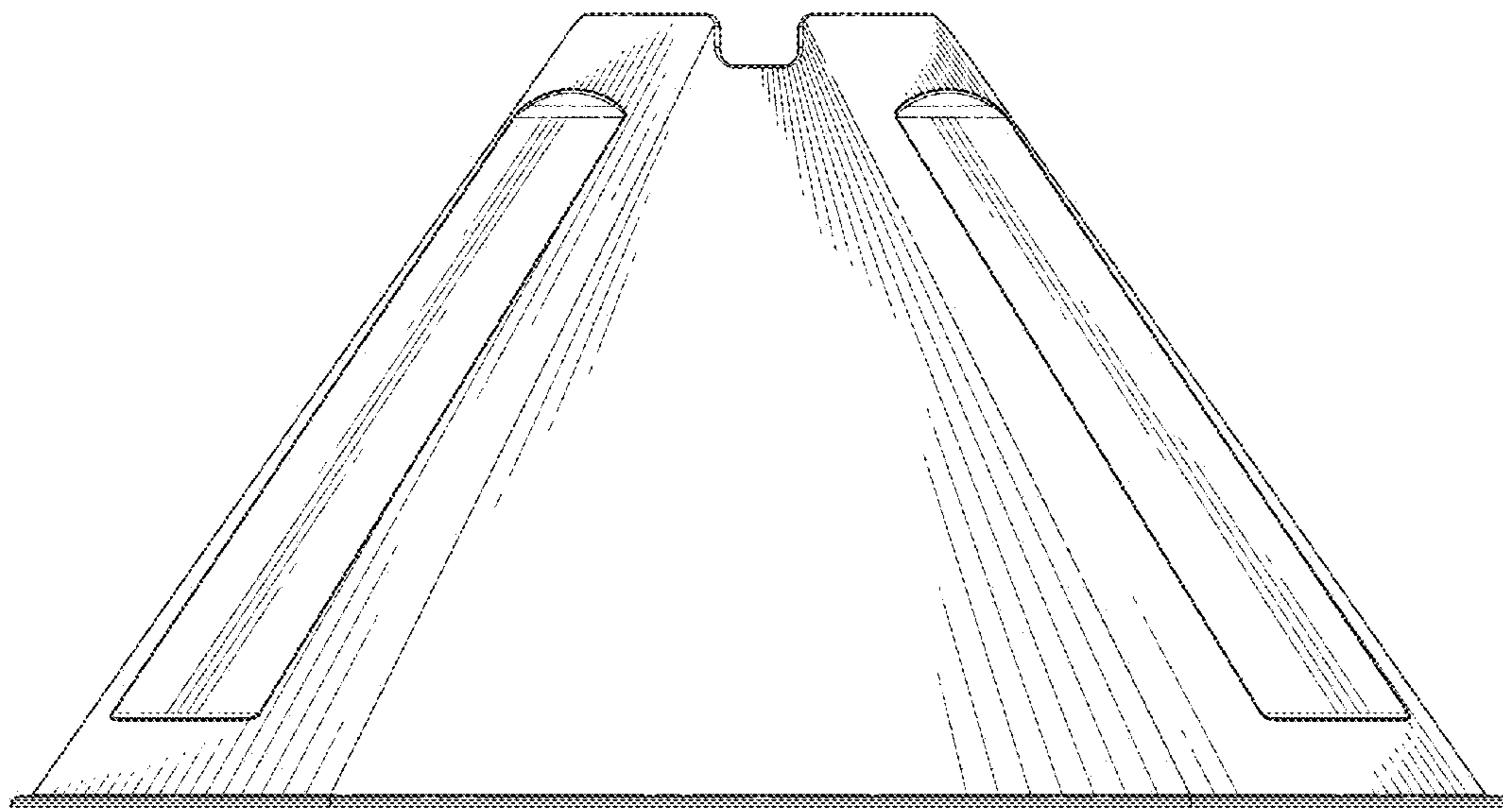


FIG. 4

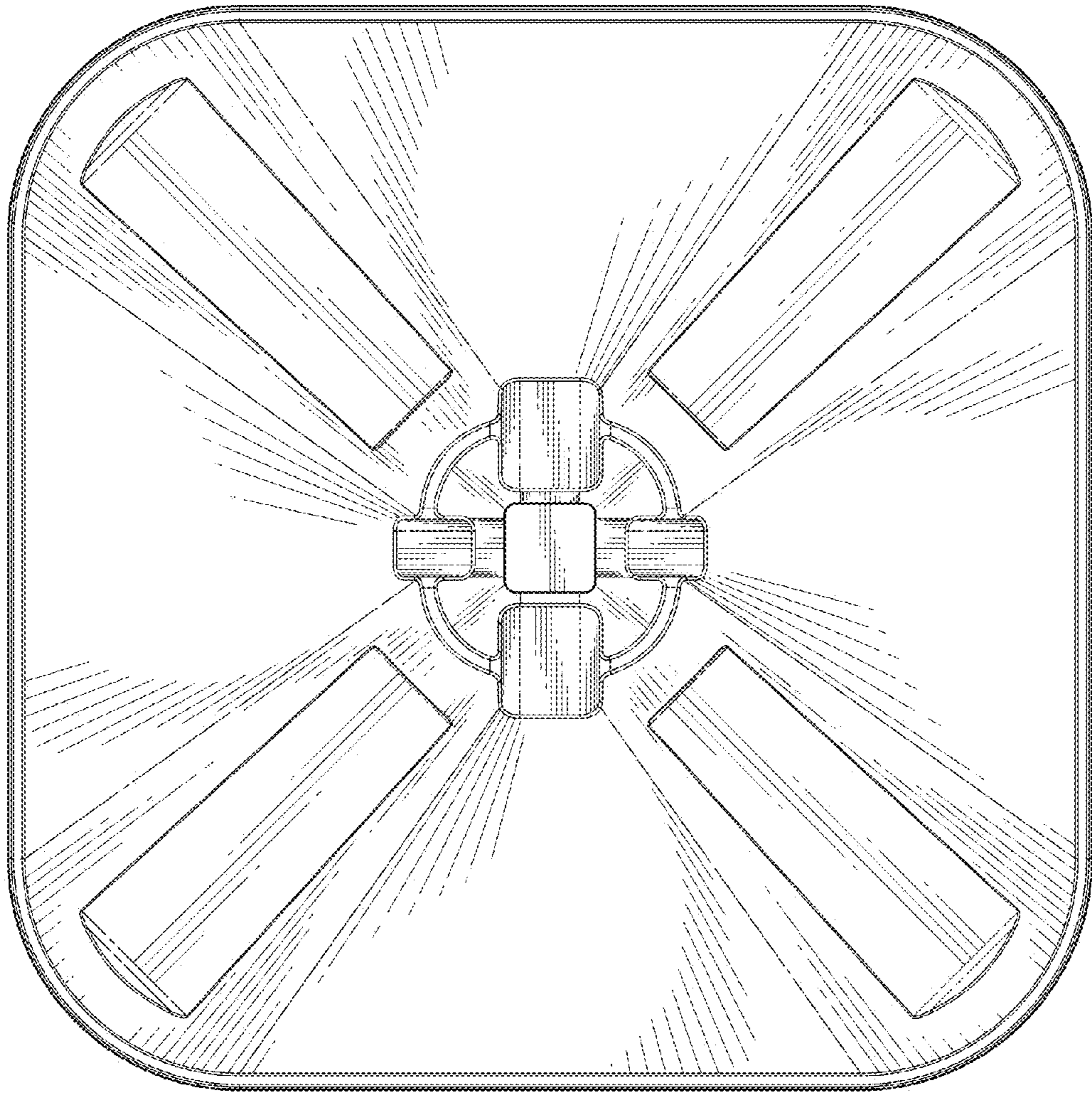


FIG. 5

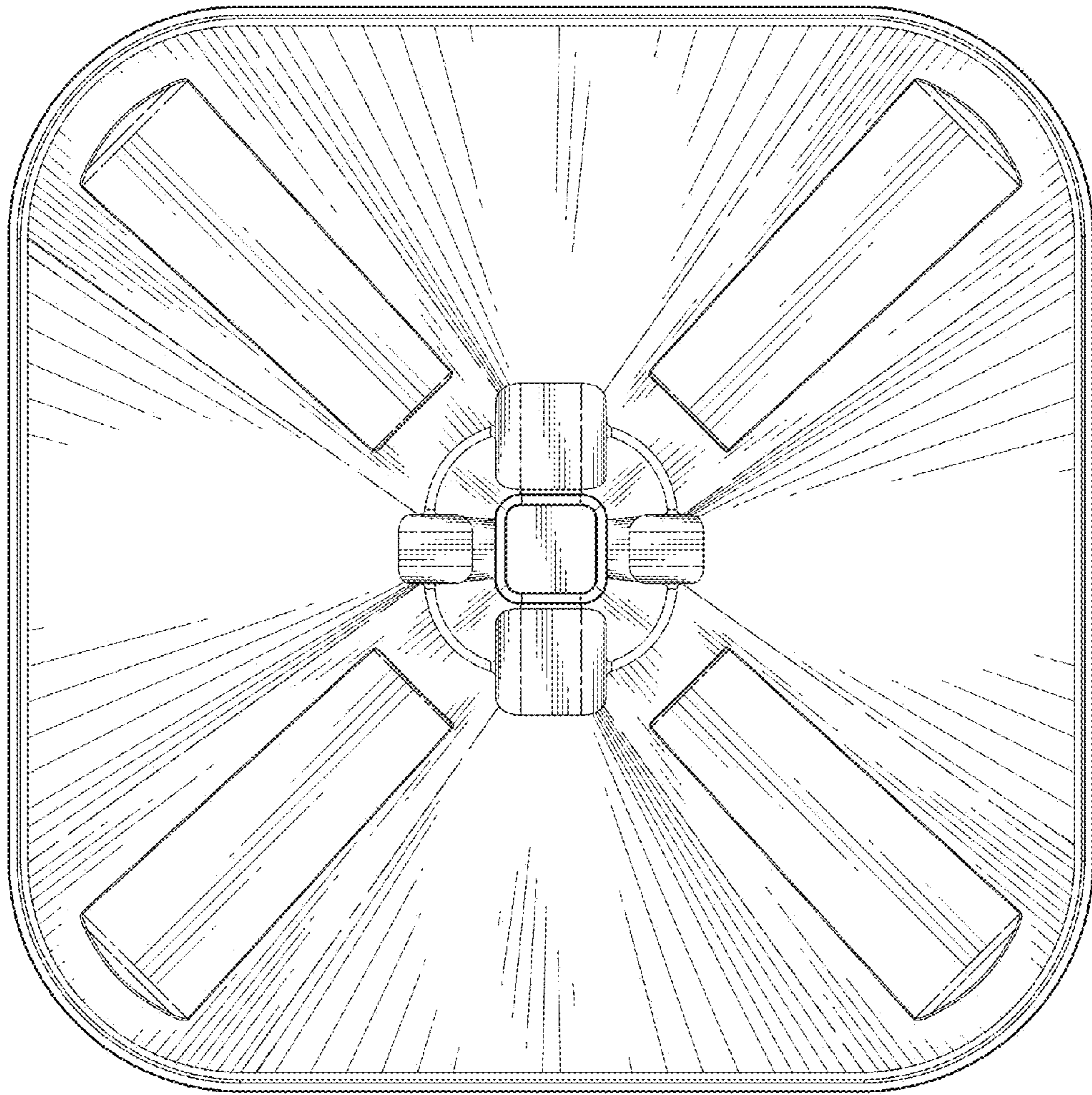


FIG. 6