



US00D749680S

(12) **United States Design Patent**
Lin

(10) **Patent No.:** **US D749,680 S**

(45) **Date of Patent:** **** Feb. 16, 2016**

(54) **BUILDING BLOCK**

(71) Applicant: **Chia-Yen Lin**, Taipei (TW)

(72) Inventor: **Chia-Yen Lin**, Taipei (TW)

(**) Term: **14 Years**

(21) Appl. No.: **29/516,842**

(22) Filed: **Feb. 6, 2015**

(51) **LOC (10) Cl.** **21-01**

(52) **U.S. Cl.**
USPC **D21/499; D21/500**

(58) **Field of Classification Search**
USPC D21/386, 389, 404, 468, 470, 471,
D21/484-505; 446/69, 85, 102-128;
434/208, 259, 403; 273/153, 156, 160;
D25/113-116, 118
CPC A63H 33/04; A63H 33/06; A63H 33/08;
A63H 33/084; A63H 33/086; A63H 33/088;
A63H 33/10; A63H 33/105; A63H 33/108
See application file for complete search history.

(56) **References Cited**

U.S. PATENT DOCUMENTS

D279,915 S *	7/1985	Arnau Pibet	D21/500
D368,939 S *	4/1996	Frederiksen	D21/500
D371,398 S *	7/1996	Glynn	D21/500
D378,837 S *	4/1997	Olsen	D21/500
D387,398 S *	12/1997	Øhrwald	D21/503
D411,591 S *	6/1999	Laserna Fernandez	D21/500
D413,636 S *	9/1999	Laserna Fernandez	D21/499
D456,463 S *	4/2002	Sorensen	D21/499
D465,247 S *	11/2002	Sorensen	D21/499
D668,302 S *	10/2012	Hino	D21/484

D702,774 S *	4/2014	Wizenberg	D21/499
D714,401 S *	9/2014	Lin	D21/499
8,905,812 B2 *	12/2014	Pai-Chen	A63H 33/086 446/122

* cited by examiner

Primary Examiner — Cynthia M Chin

(74) *Attorney, Agent, or Firm* — Lin & Associates
Intellectual Property, Inc.

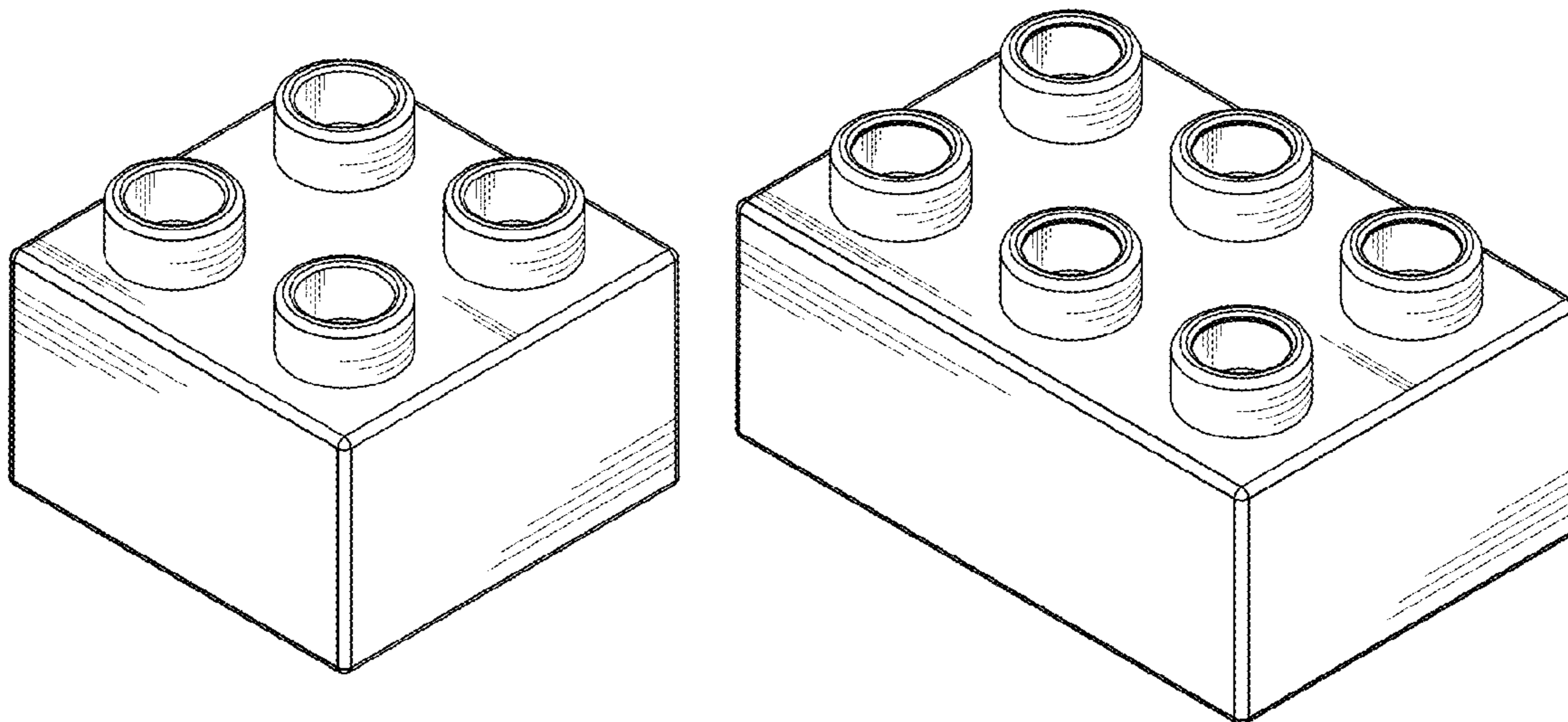
(57) **CLAIM**

The ornamental design for a building block, as shown and described.

DESCRIPTION

FIG. 1 is a perspective view of a building block showing my new design;
FIG. 2 is a front elevational view thereof;
FIG. 3 is a rear elevational view thereof;
FIG. 4 is a left elevational view thereof;
FIG. 5 is a right elevational view thereof;
FIG. 6 is a top view thereof;
FIG. 7 is a bottom view thereof;
FIG. 8 is a perspective view from another direction of the building block;
FIG. 9 is a perspective view showing my new design applied in a 2x3 building block;
FIG. 10 is a perspective view of FIG. 9 viewed from another direction;
FIG. 11 is a perspective view showing my new design applied in a 2x4 building block; and,
FIG. 12 is a perspective view of FIG. 11 viewed from another direction.

1 Claim, 12 Drawing Sheets



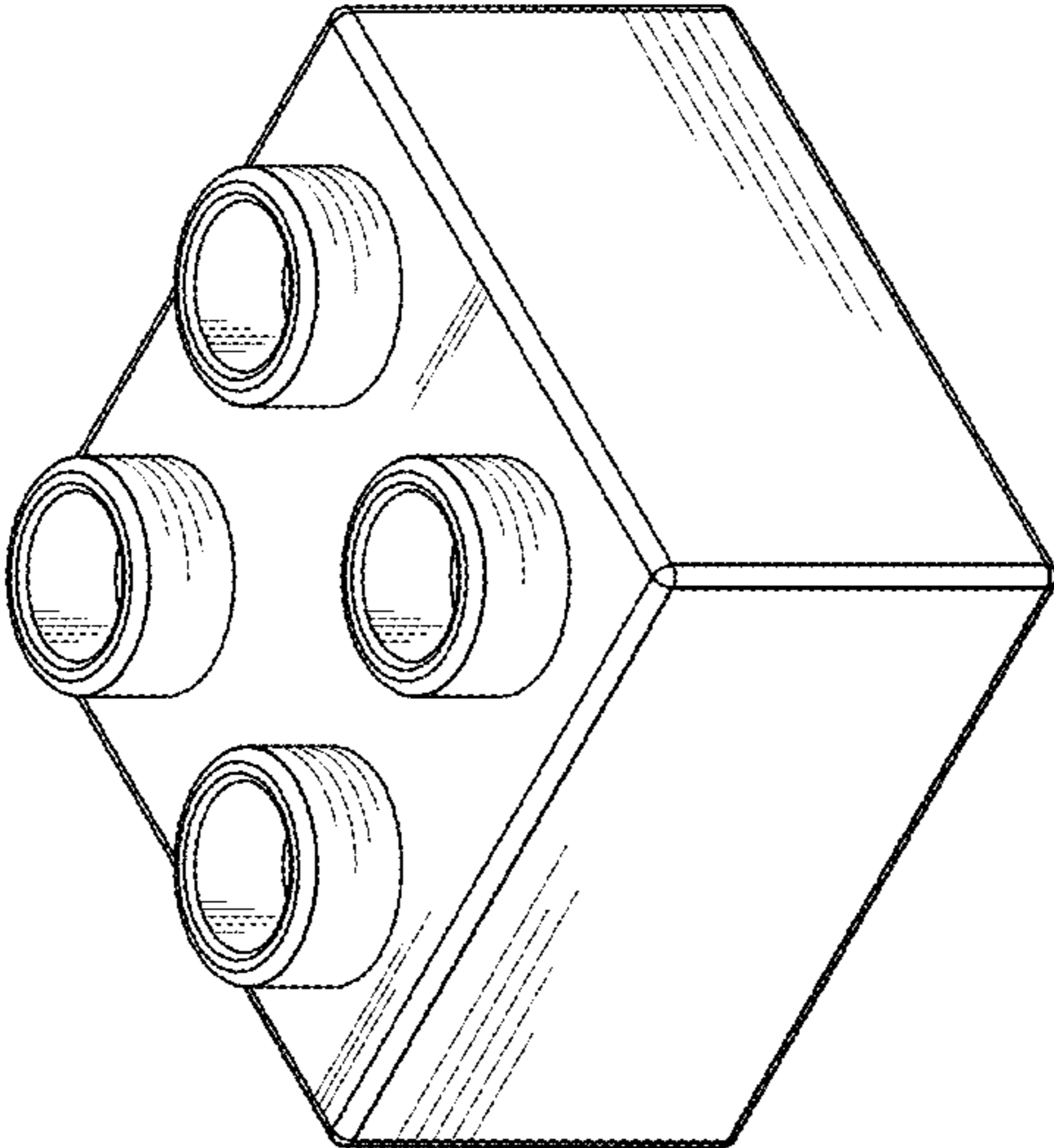


FIG. 1

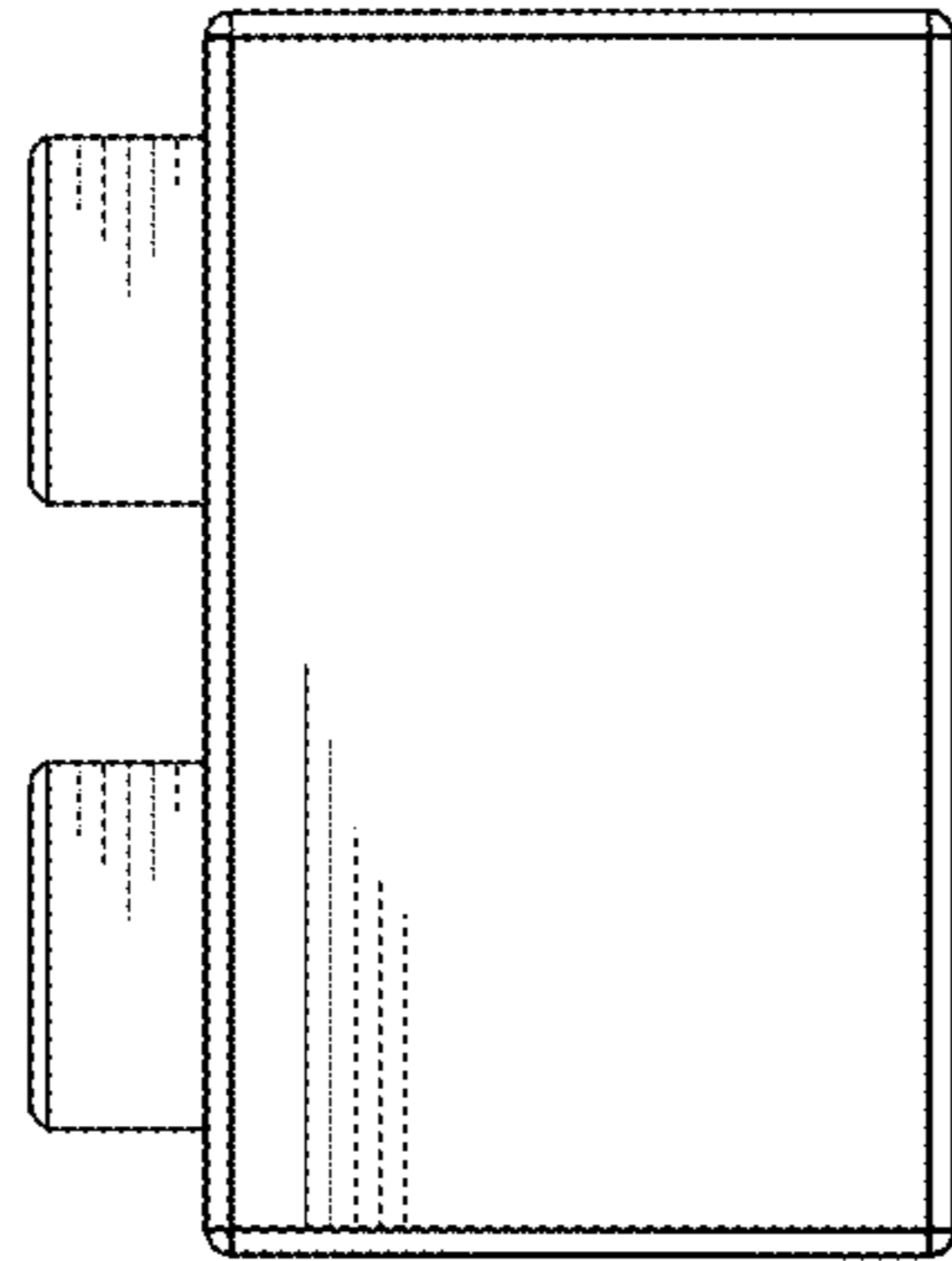


FIG. 2

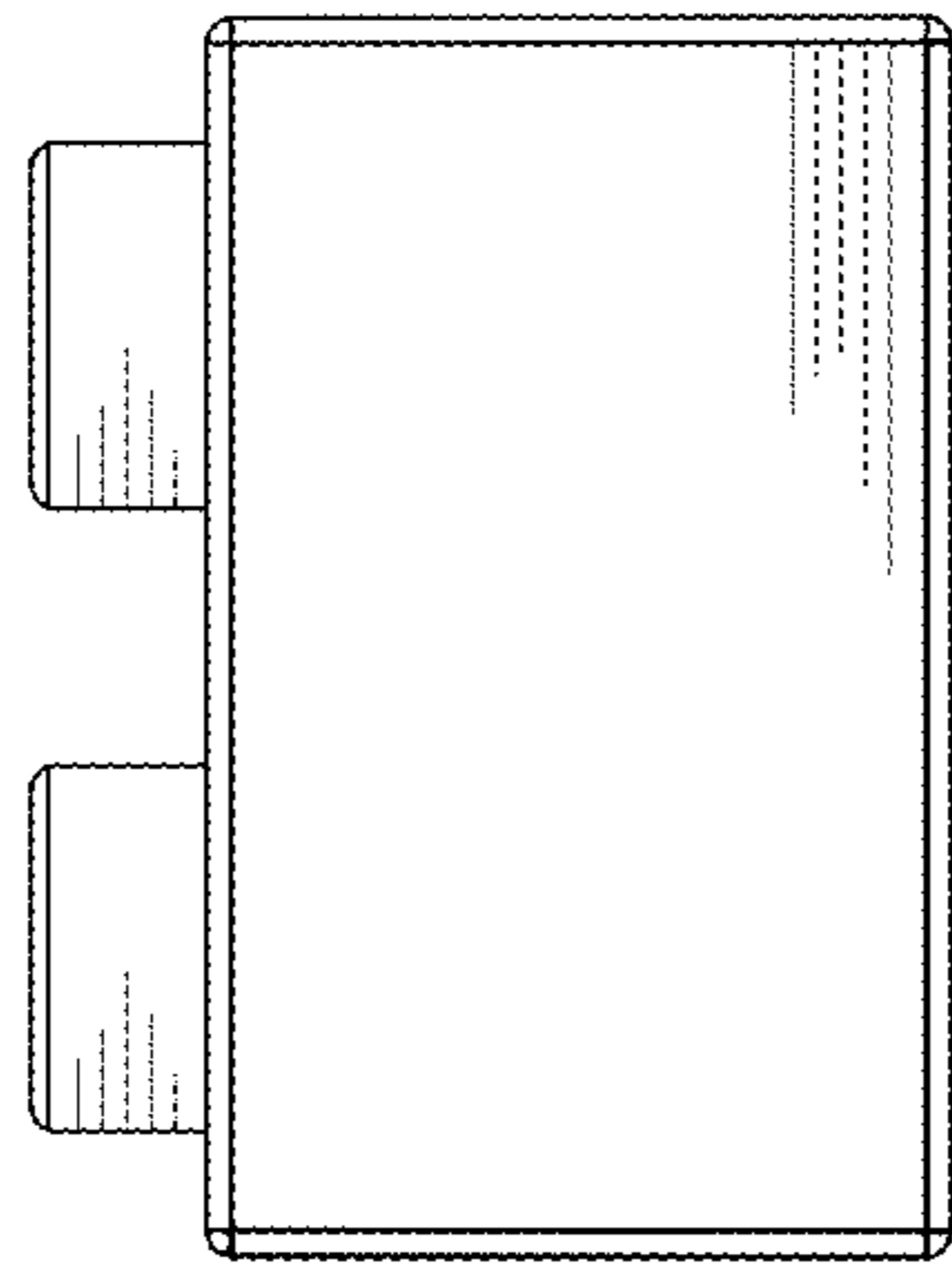


FIG. 3

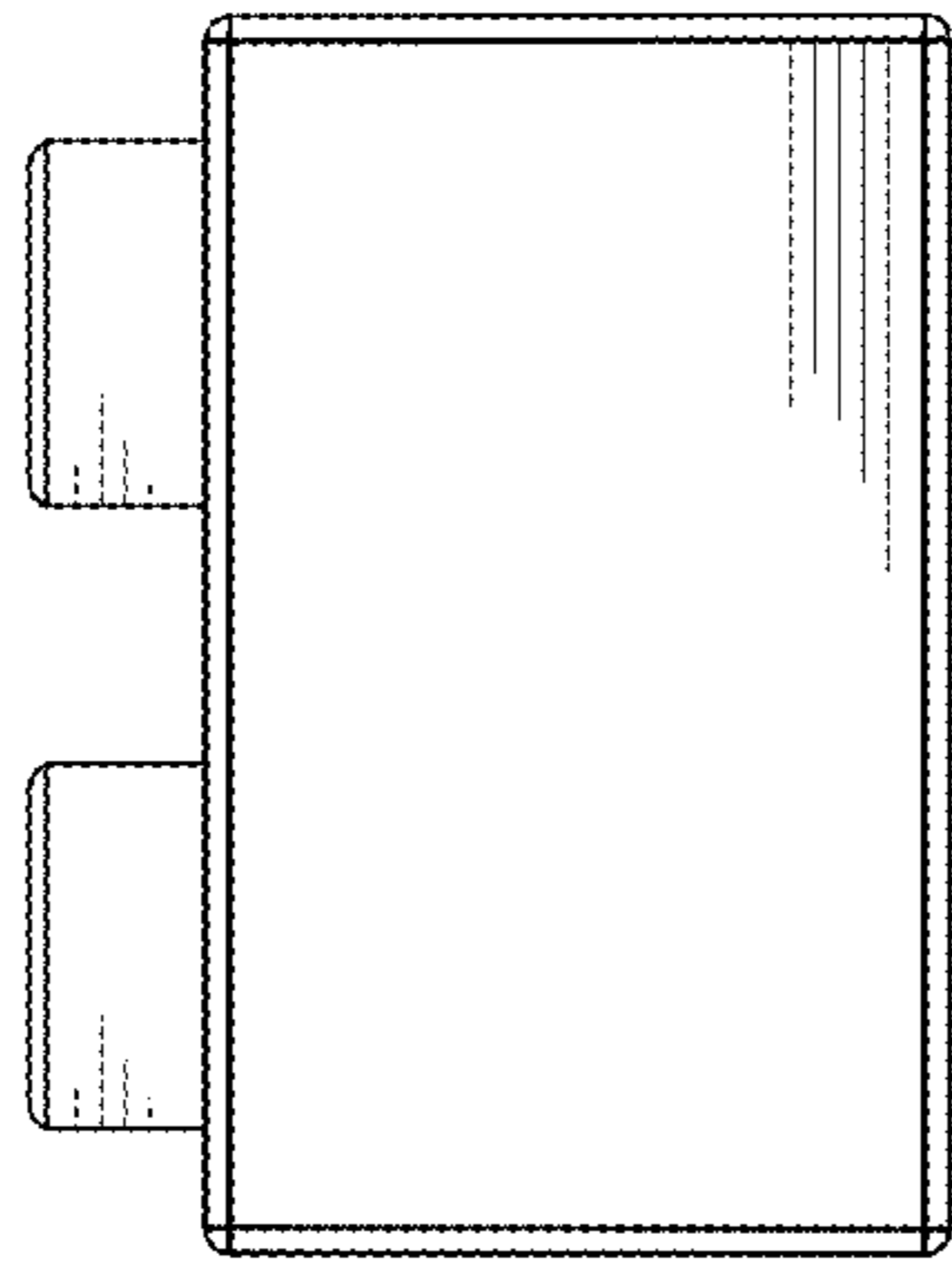


FIG. 4

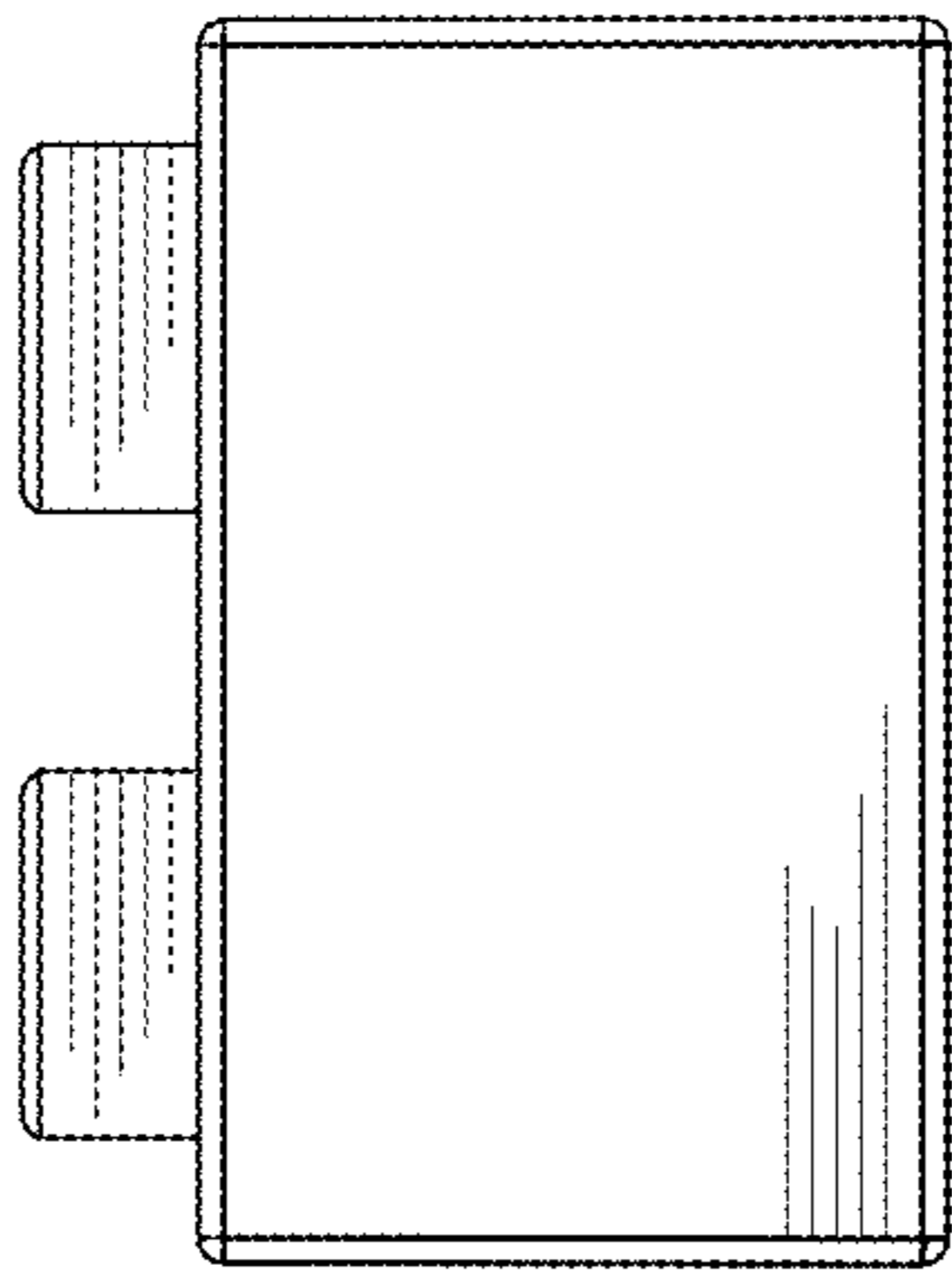


FIG. 5

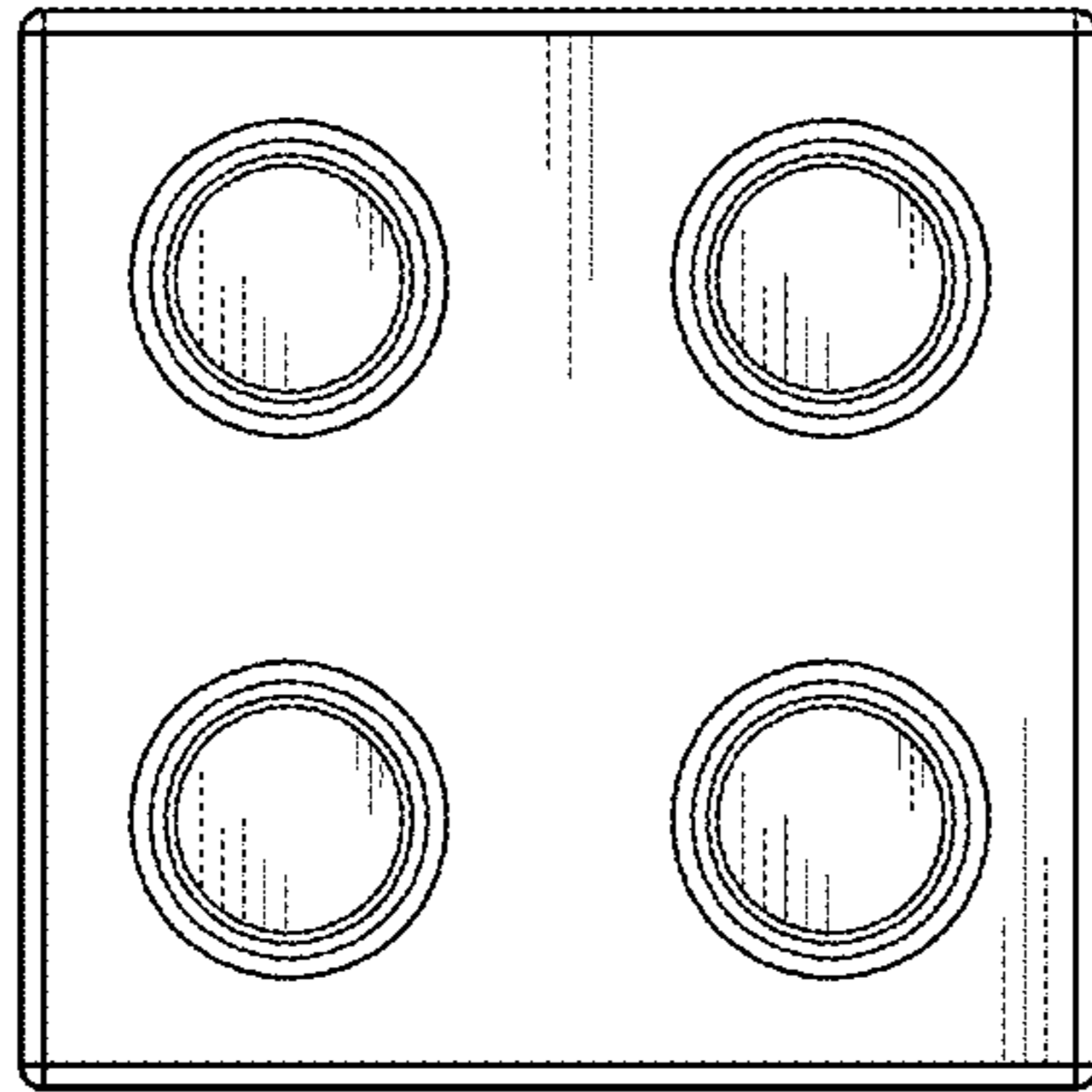


FIG. 6

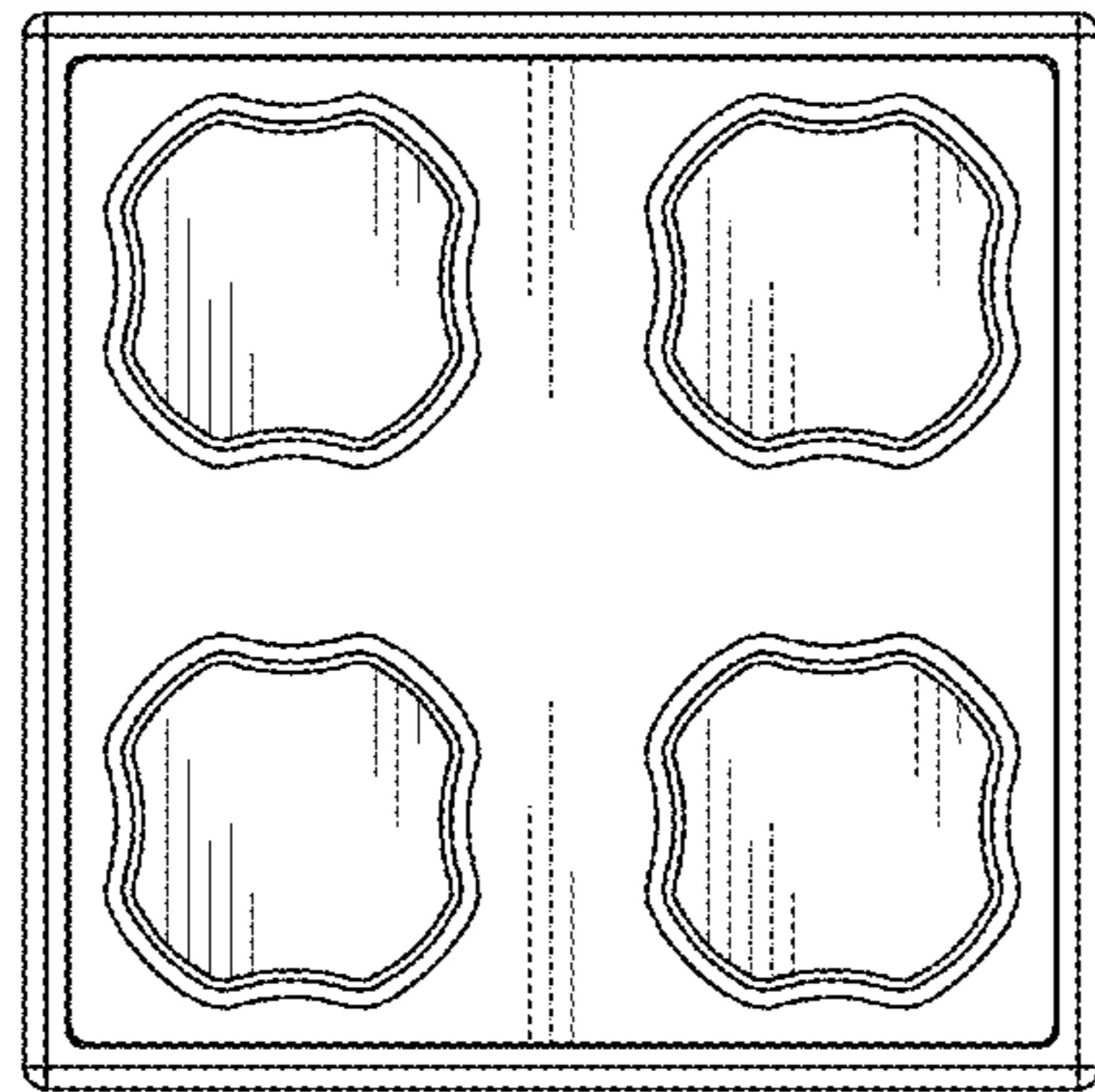


FIG. 7

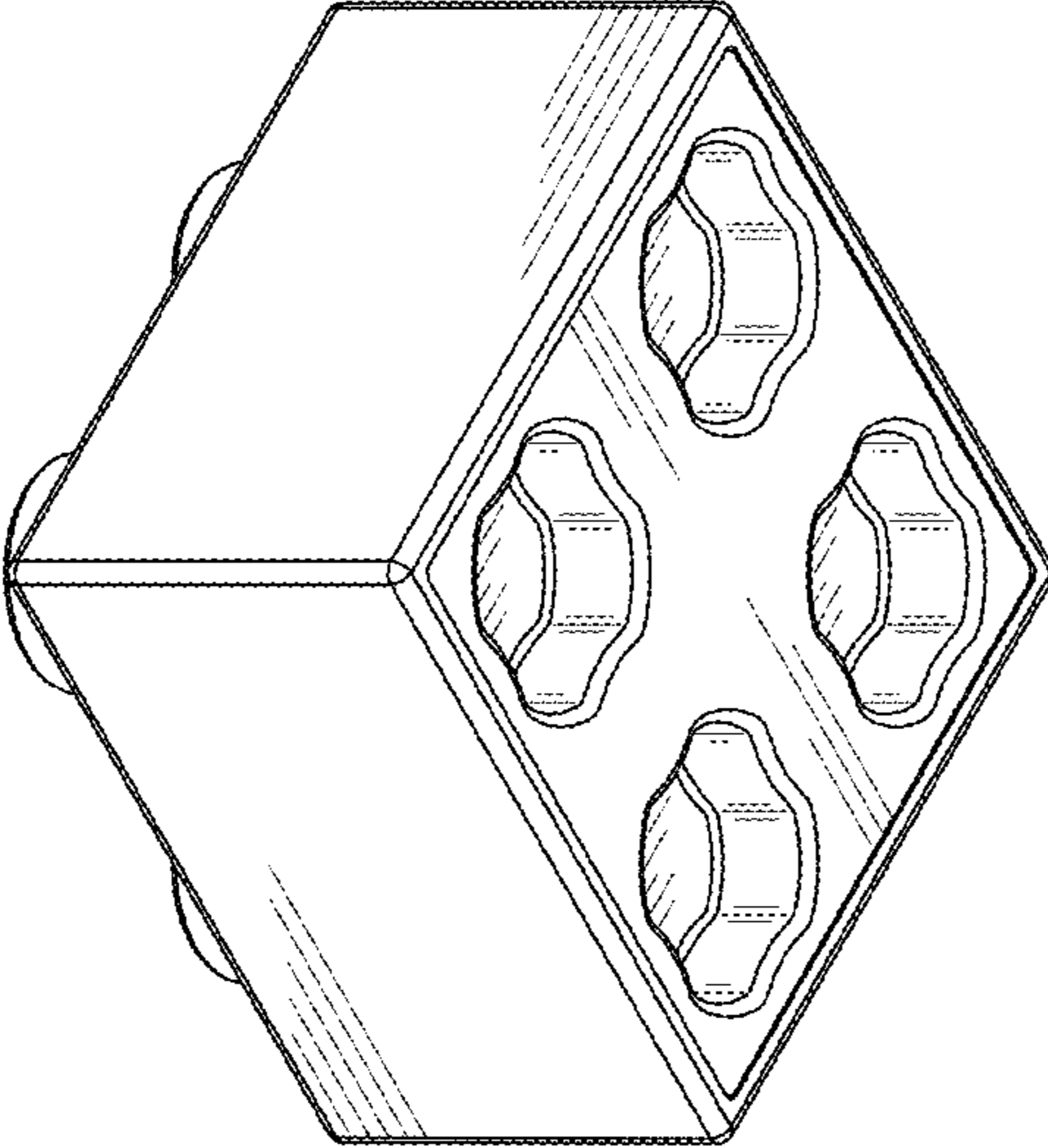


FIG. 8

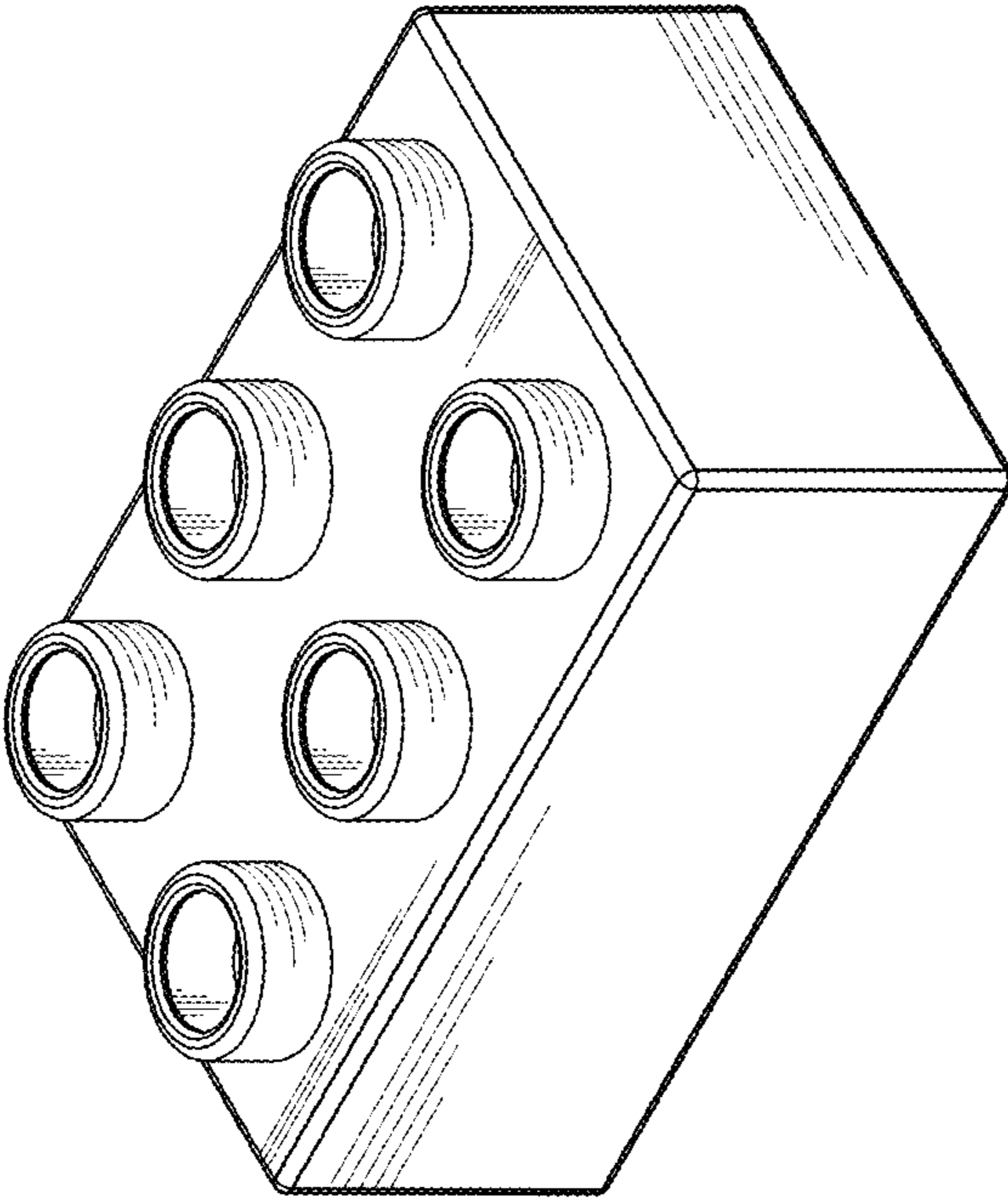


FIG. 9

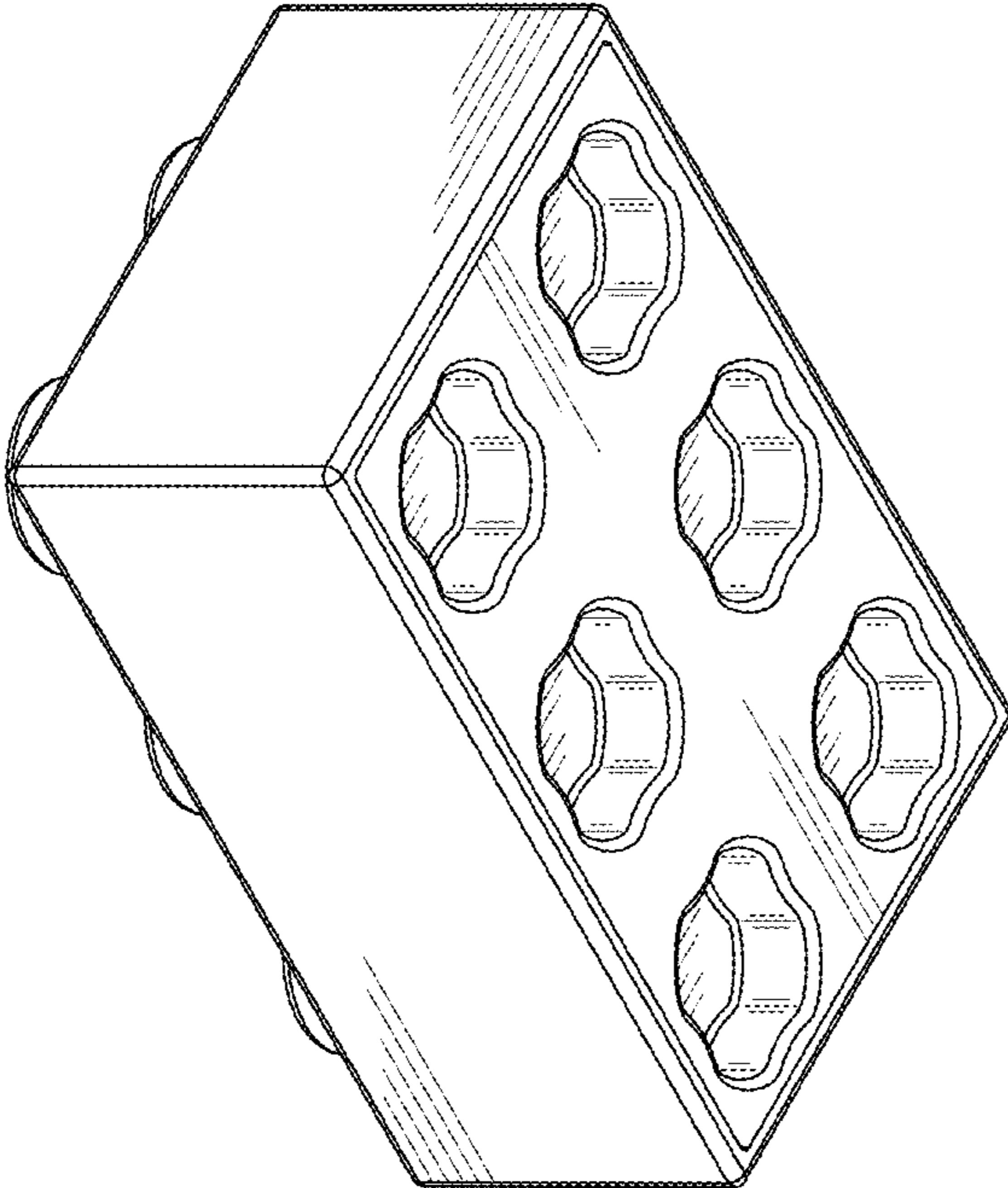


FIG. 10

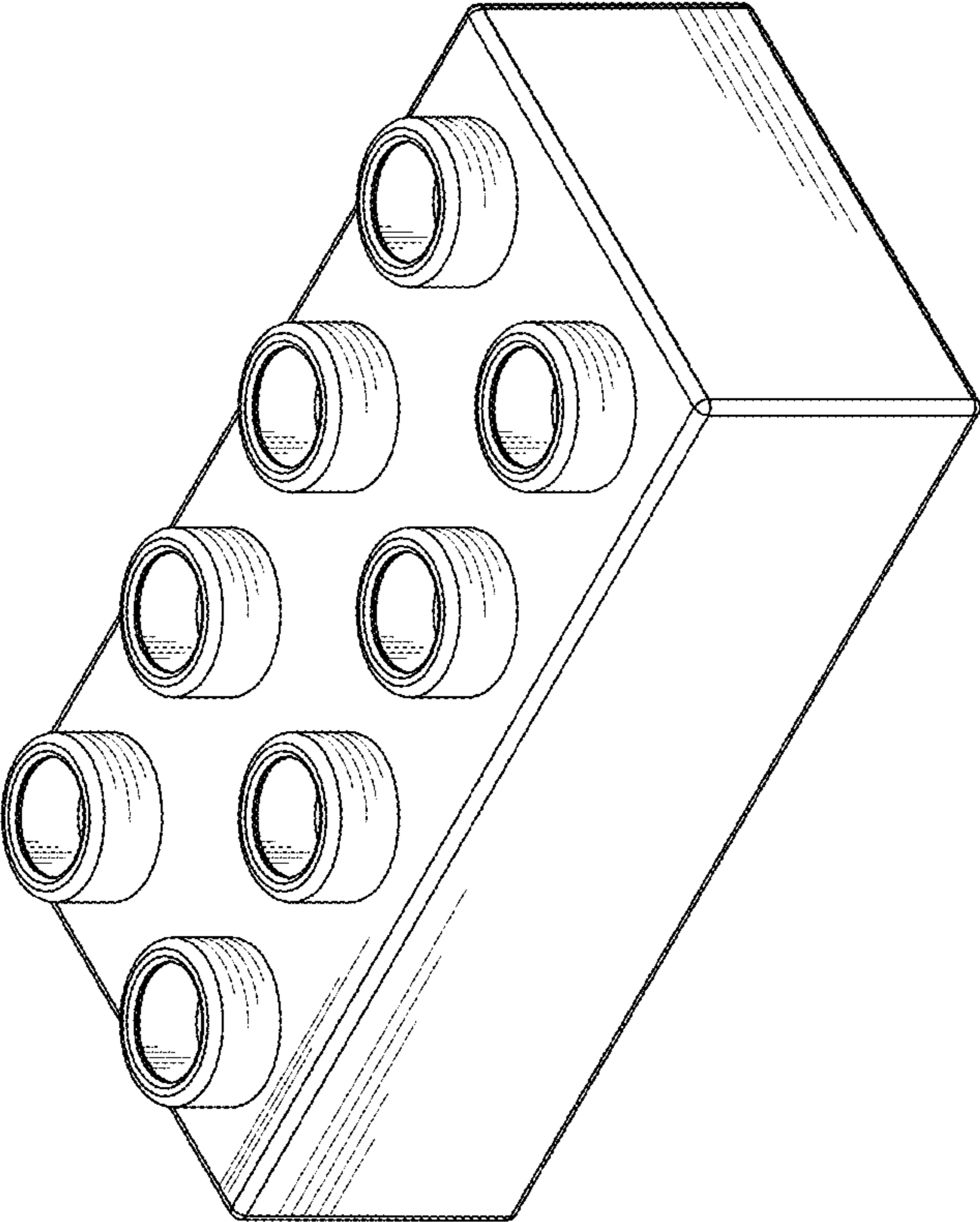


FIG. 11

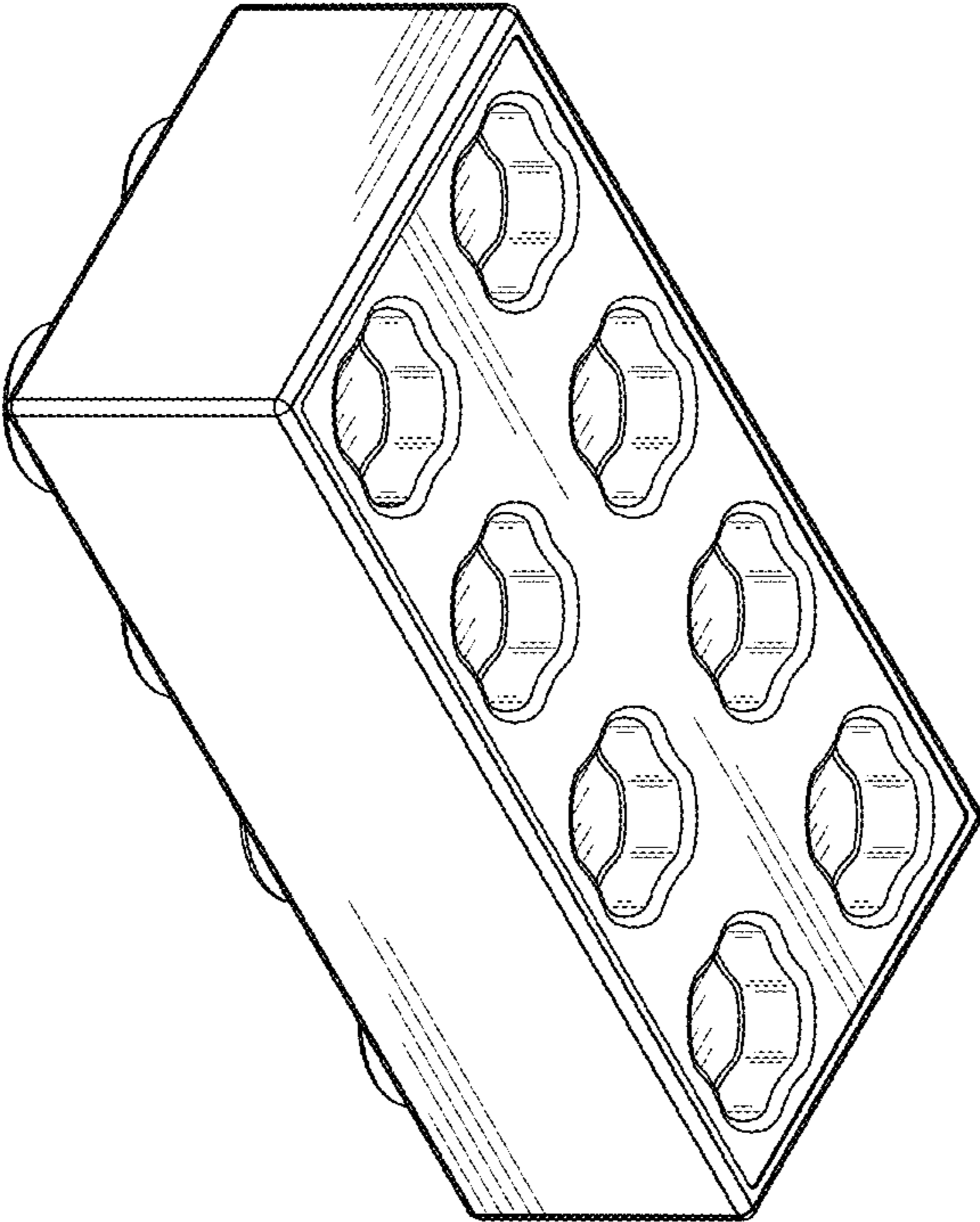


FIG. 12