



US00D749679S

(12) **United States Design Patent**  
**Bala et al.**

(10) **Patent No.:** **US D749,679 S**

(45) **Date of Patent:** **\*\* Feb. 16, 2016**

(54) **TABLET PORTAL**

(71) Applicants: **Karthik Bala**, Menands, NY (US); **Kern Corrigan**, Santa Clara, CA (US); **Lee Guinchard**, Santa Clara, CA (US); **Jin Han**, Santa Monica, CA (US); **Brent Gibson**, Menands, NY (US)

(72) Inventors: **Karthik Bala**, Menands, NY (US); **Kern Corrigan**, Santa Clara, CA (US); **Lee Guinchard**, Santa Clara, CA (US); **Jin Han**, Santa Monica, CA (US); **Brent Gibson**, Menands, NY (US)

(73) Assignee: **Activision Publishing, Inc.**, Santa Monica, CA (US)

(\*\*) Term: **14 Years**

(21) Appl. No.: **29/500,401**

(22) Filed: **Aug. 25, 2014**

(51) **LOC (10) Cl.** ..... **21-01**

(52) **U.S. Cl.**  
USPC ..... **D21/333; D21/328; D14/496**

(58) **Field of Classification Search**  
USPC ..... D14/496, 401, 435, 474, 483, 217, 137, D14/138, 160, 168, 356, 203.1–203.8, 507; 345/156, 169, 173–179, 905; 715/727–729, 864, 700, 706, 719; 710/1, 5, 8; 713/1, 600; 455/1.1, 1.7, 455/73, 344–347, 93, 95, 3.01–3.06, 550.1, 455/573.1; 370/342–344; 369/1, 2, 6–12; 463/51–57, 40–47, 1, 29–35; D21/324, D21/328, 333; 273/148 B  
CPC ..... A63F 13/00; A63F 13/02; A63F 9/00; G06F 17/00; G06F 19/00

See application file for complete search history.

(56) **References Cited**

U.S. PATENT DOCUMENTS

4,031,655 A \* 6/1977 Ponciano et al. .... 446/47  
6,652,383 B1 \* 11/2003 Sonoda et al. .... 463/43

(Continued)

*Primary Examiner* — Prabhakar Deshmukh

(74) *Attorney, Agent, or Firm* — Klein, O'Neill & Singh, LLP

(57) **CLAIM**

The ornamental design for a tablet portal, as shown and described.

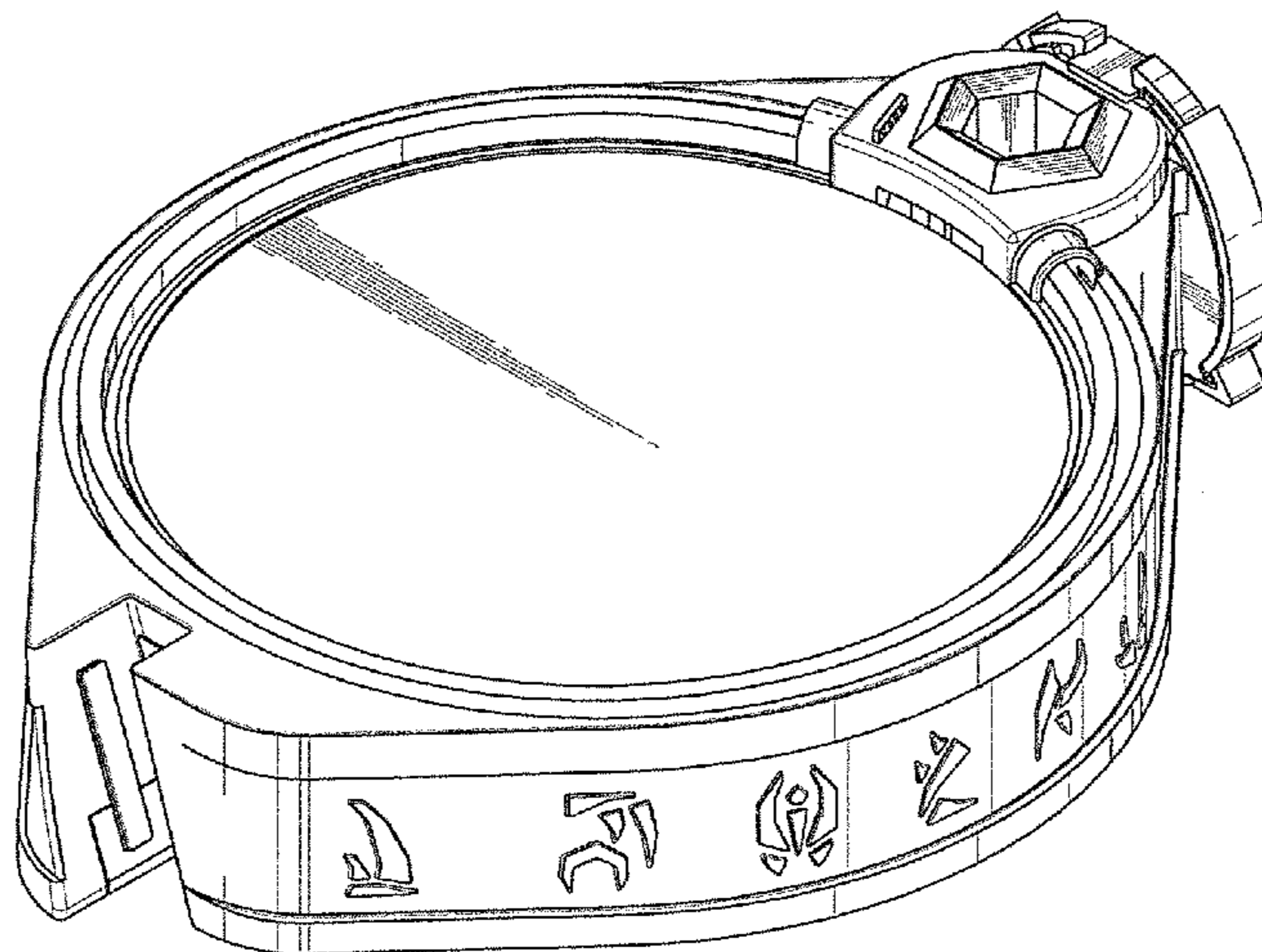
**DESCRIPTION**

FIG. 1 is a perspective view of a first embodiment of a tablet portal embodying our new design;  
FIG. 2 is a rear side view of the tablet portal of FIG. 1;  
FIG. 3 is a top view of the tablet portal of FIG. 1;  
FIG. 4 is a right side view of the tablet portal of FIG. 1;  
FIG. 5 is a left side view of the tablet portal of FIG. 1;  
FIG. 6 is a front view of the tablet portal of FIG. 1;  
FIG. 7 is a bottom view of the tablet portal of FIG. 1;  
FIG. 8 is a further perspective view of the tablet portal of FIG. 1;

FIG. 9 is a perspective view of a second embodiment of a tablet portal embodying our new design;  
FIG. 10 is a rear side view of the tablet portal of FIG. 9;  
FIG. 11 is a top view of the tablet portal of FIG. 9;  
FIG. 12 is a right side view of the tablet portal of FIG. 9;  
FIG. 13 is a left side view of the tablet portal of FIG. 9;  
FIG. 14 is a front view of the tablet portal of FIG. 9;  
FIG. 15 is a bottom view of the tablet portal of FIG. 9; and,  
FIG. 16 is a further perspective view of the tablet portal of FIG. 9.

The broken lines indicate unclaimed portions and form no part of the claimed design.

**1 Claim, 12 Drawing Sheets**



(56)

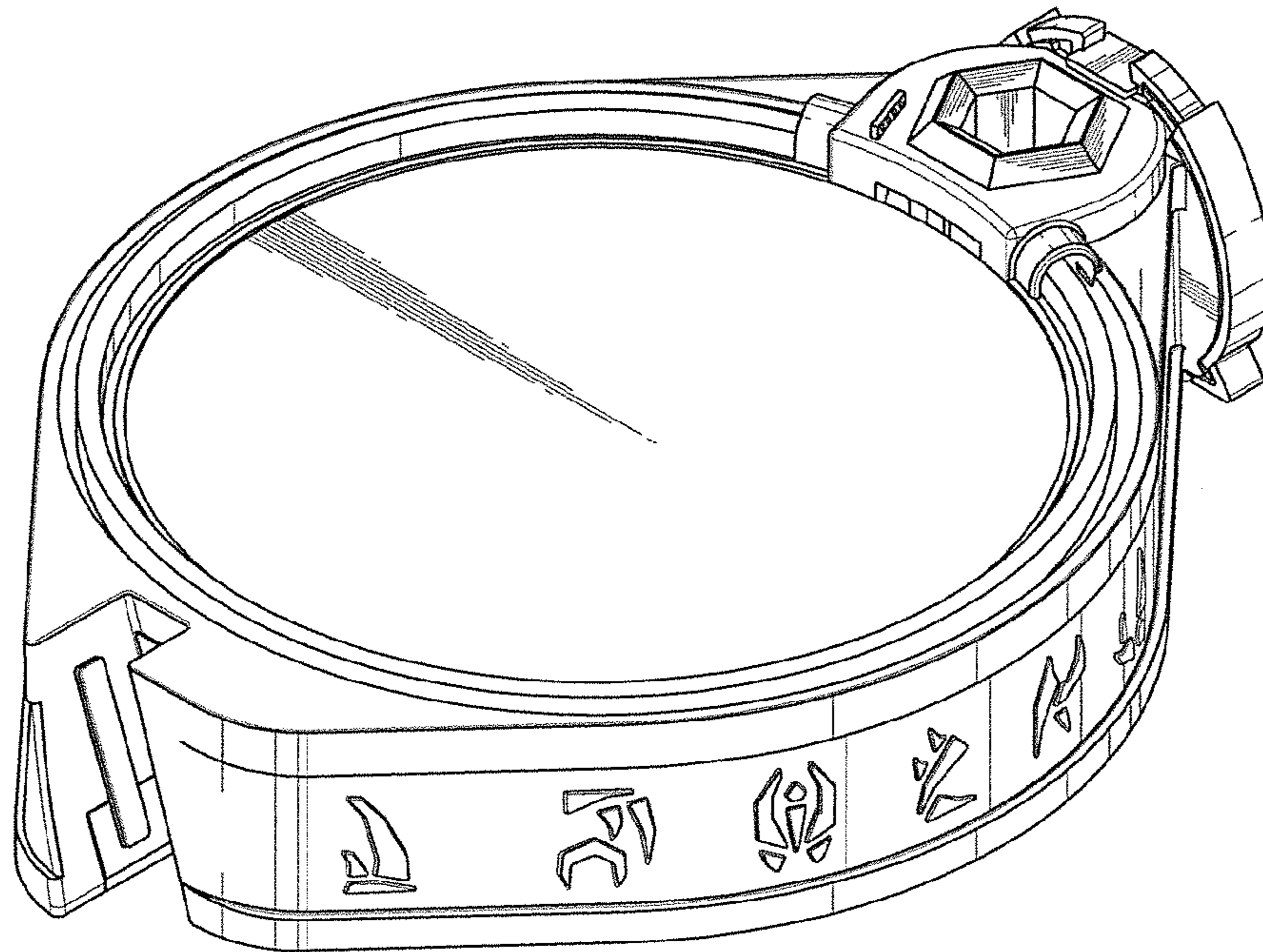
**References Cited**

U.S. PATENT DOCUMENTS

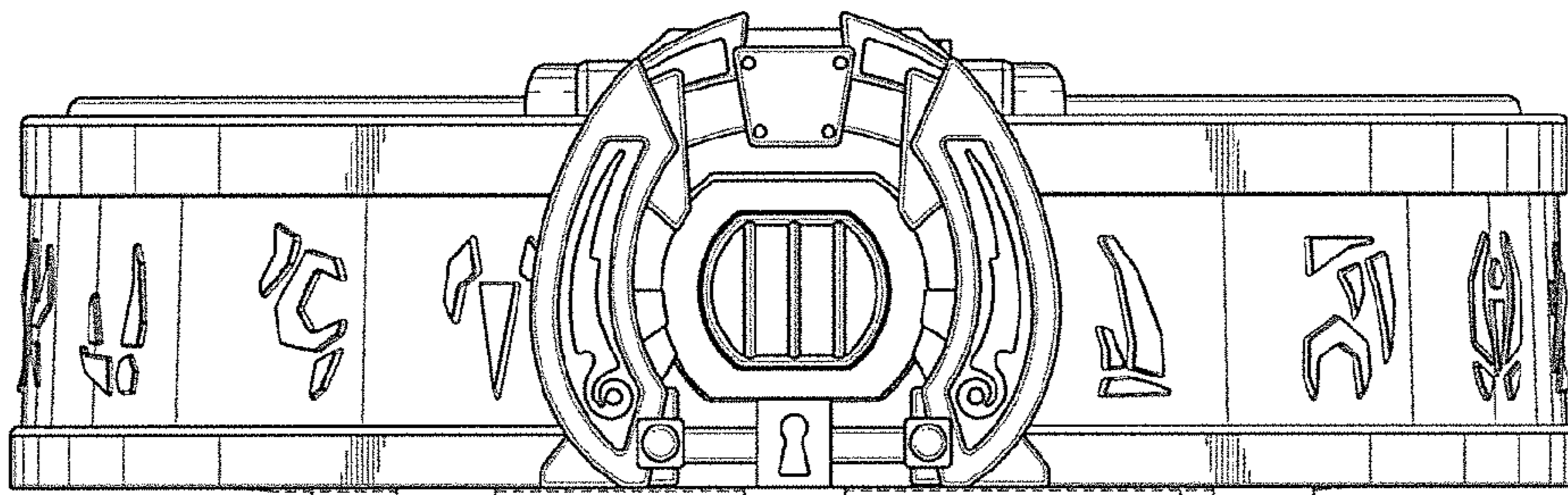
6,995,325 B2 \* 2/2006 Sakou ..... 200/5 R  
D522,587 S \* 6/2006 Yokoi ..... D21/324  
D527,053 S \* 8/2006 Watanabe ..... D21/324  
D601,564 S \* 10/2009 Maeno ..... D14/400

D603,457 S \* 11/2009 Julskjer et al. .... D21/324  
D606,593 S \* 12/2009 Wilm ..... D21/324  
D646,725 S \* 10/2011 Utsumi et al. .... D21/328  
8,188,842 B2 \* 5/2012 Otsuka et al. .... 340/12.22  
D662,949 S \* 7/2012 Otero et al. .... D14/496  
D713,466 S \* 9/2014 Otero et al. .... D21/324  
D713,467 S \* 9/2014 Sawhney et al. .... D21/333

\* cited by examiner



*FIG. 1*



*FIG. 2*

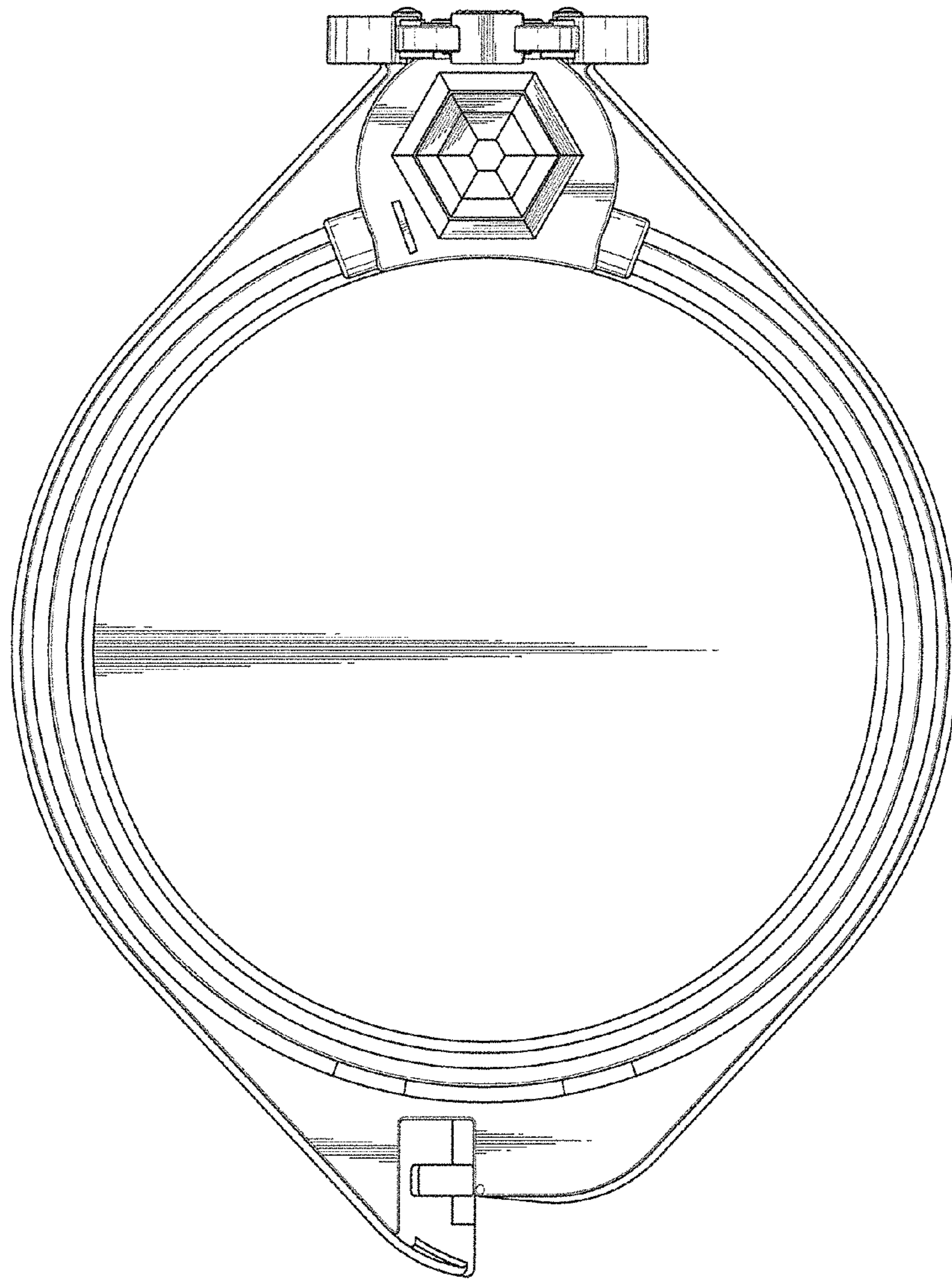


FIG. 3

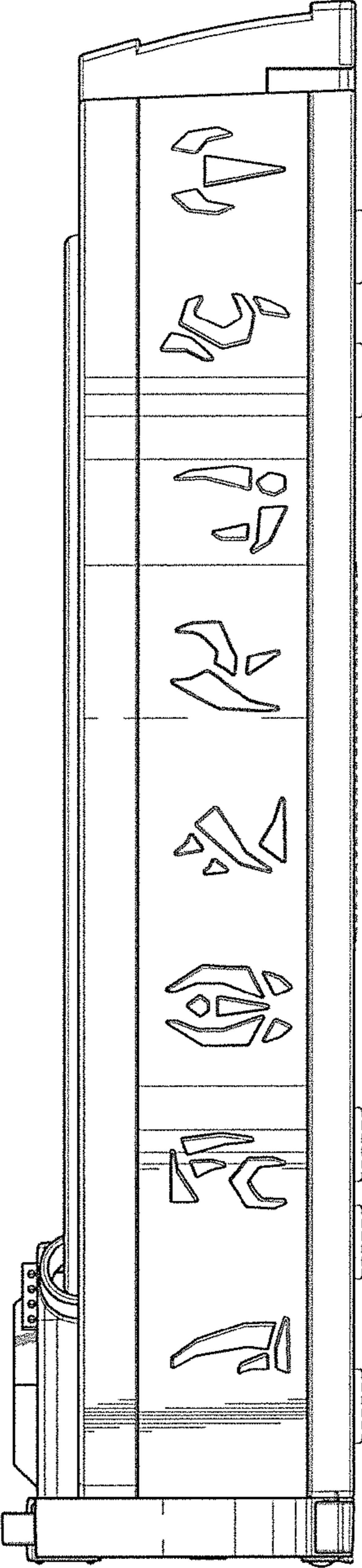


FIG. 4

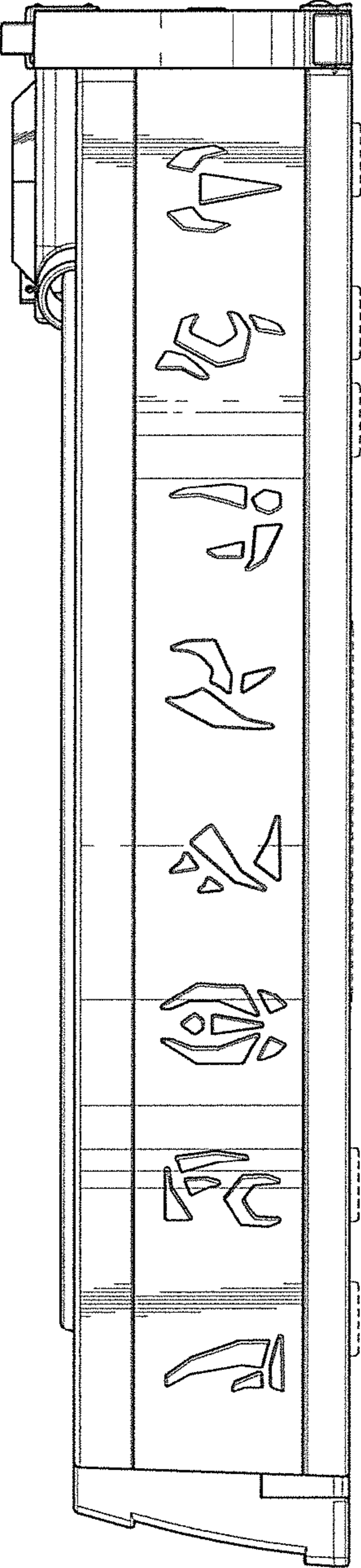
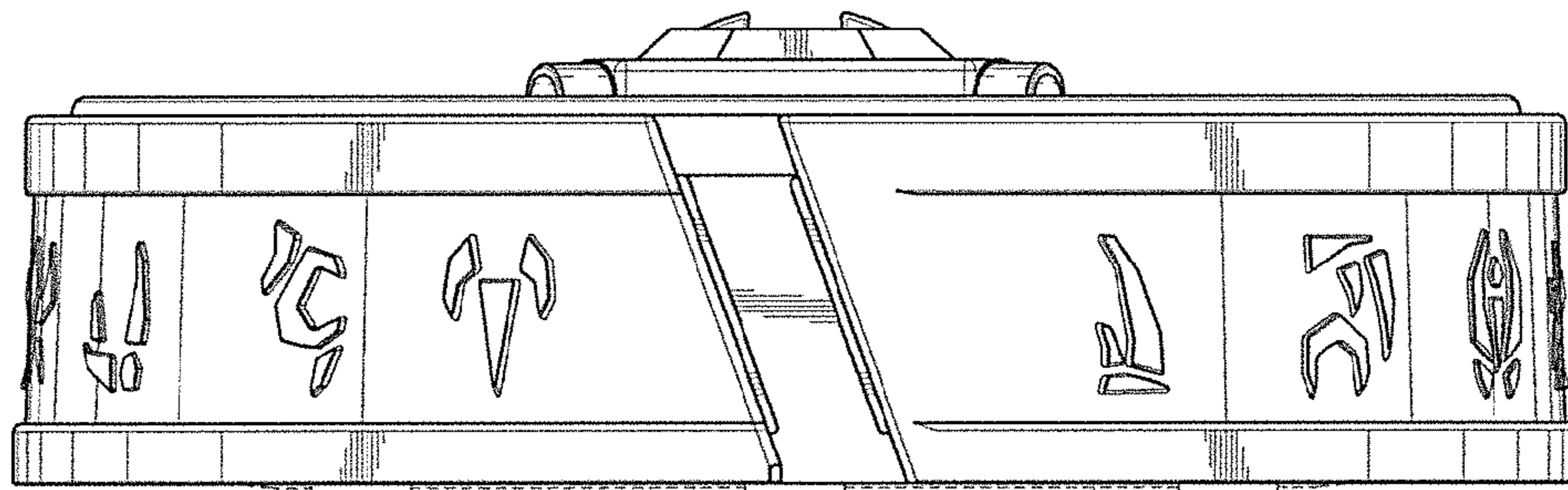


FIG. 5



*FIG. 6*

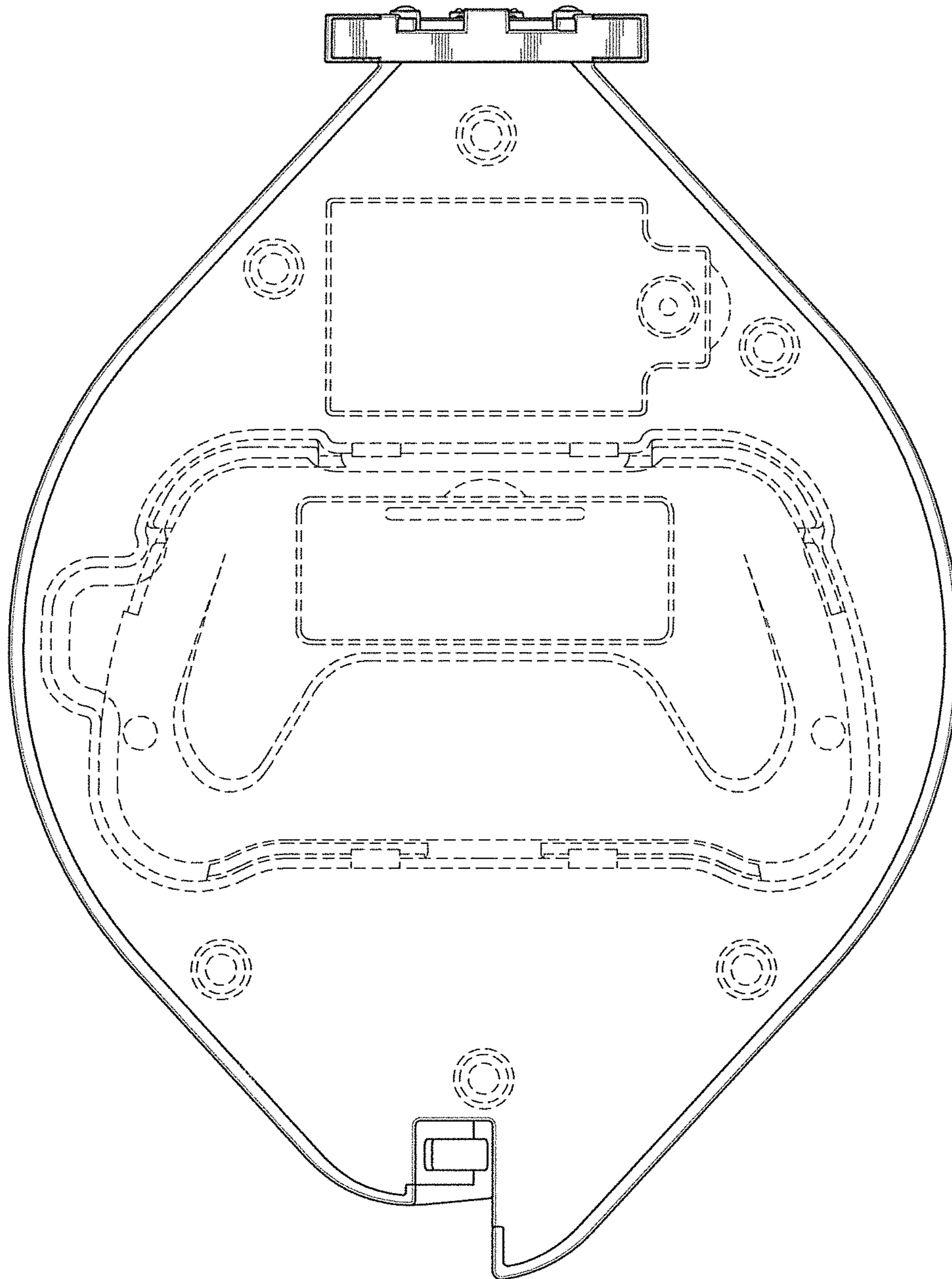


FIG. 7

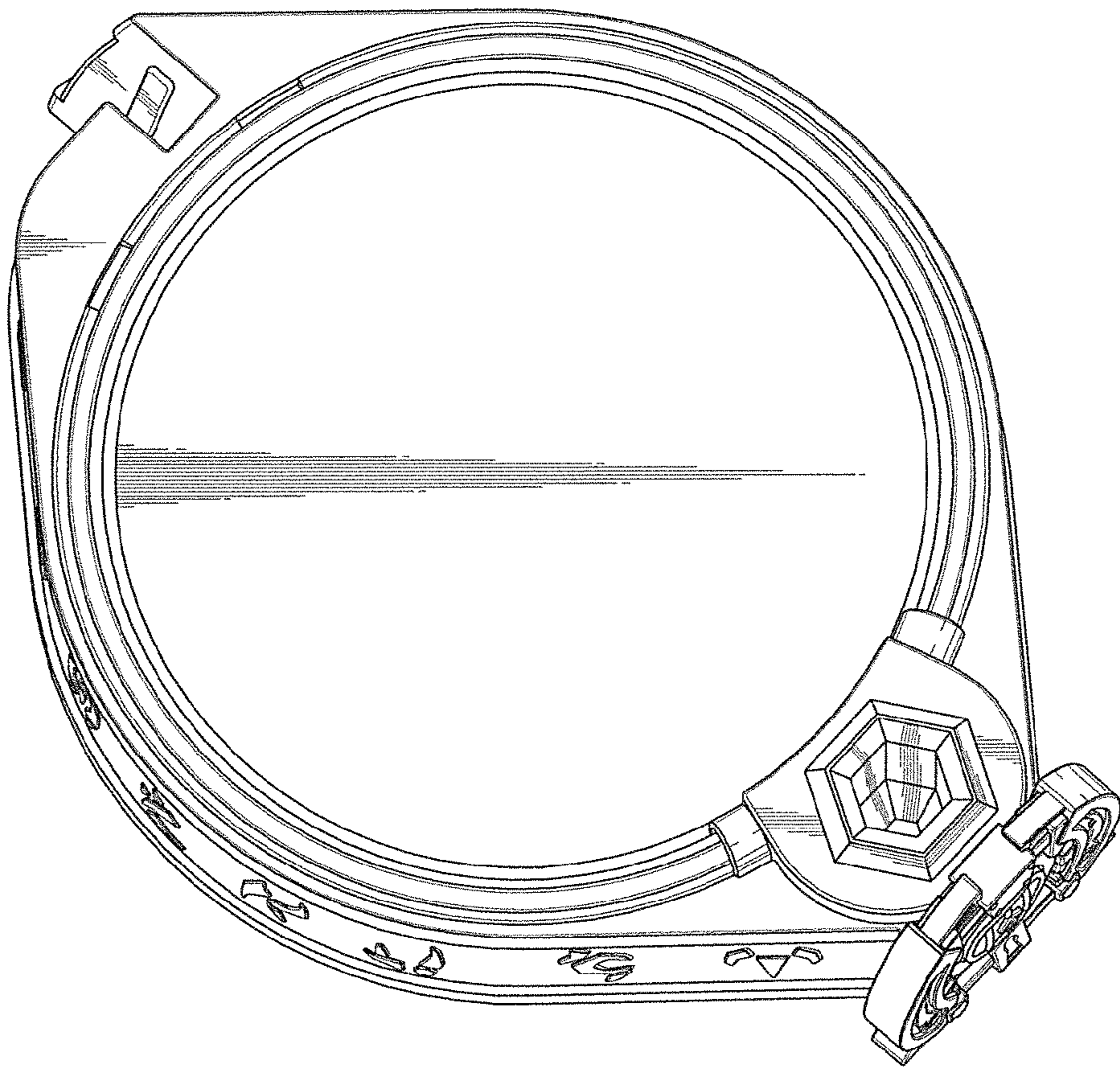
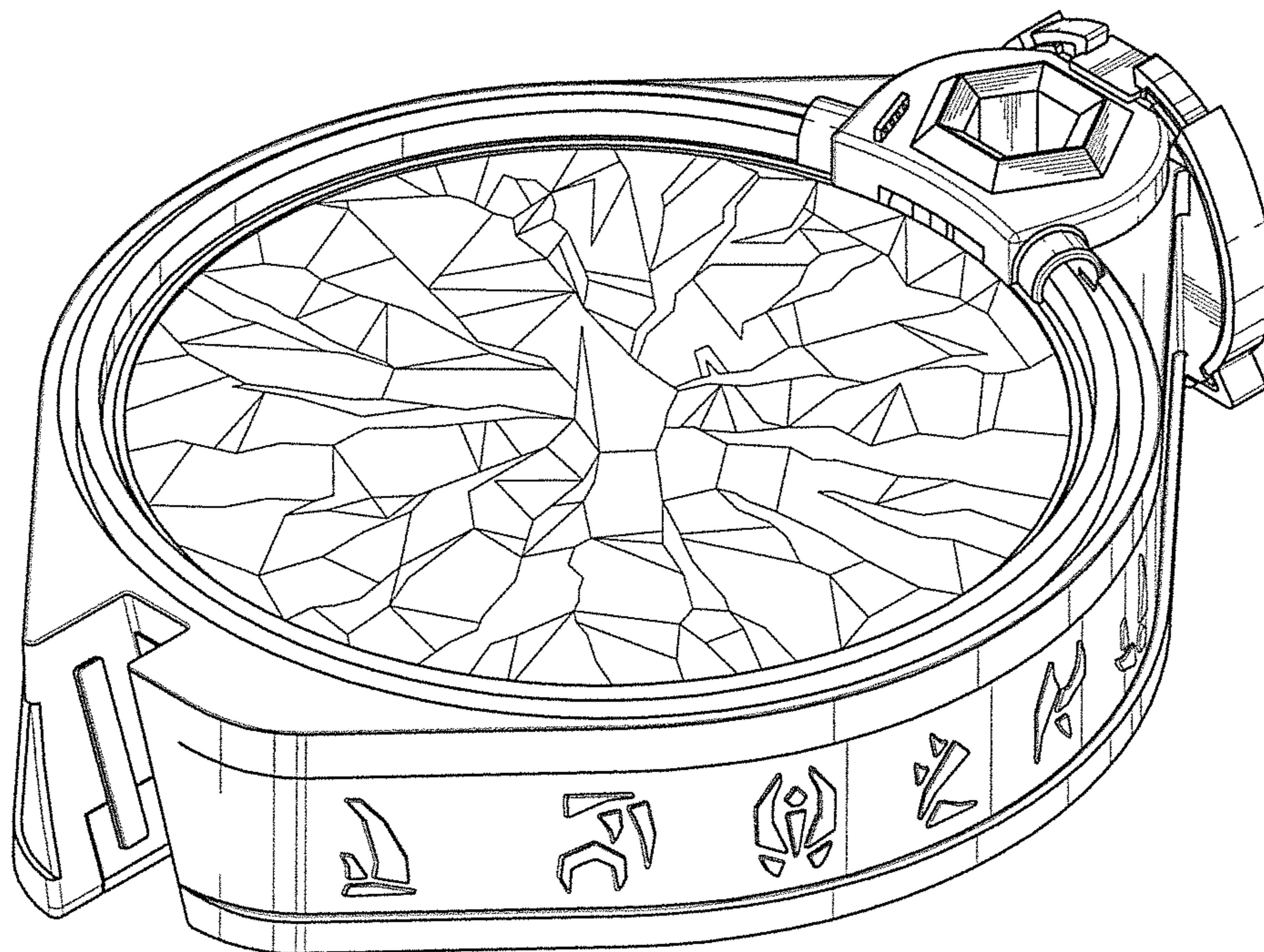
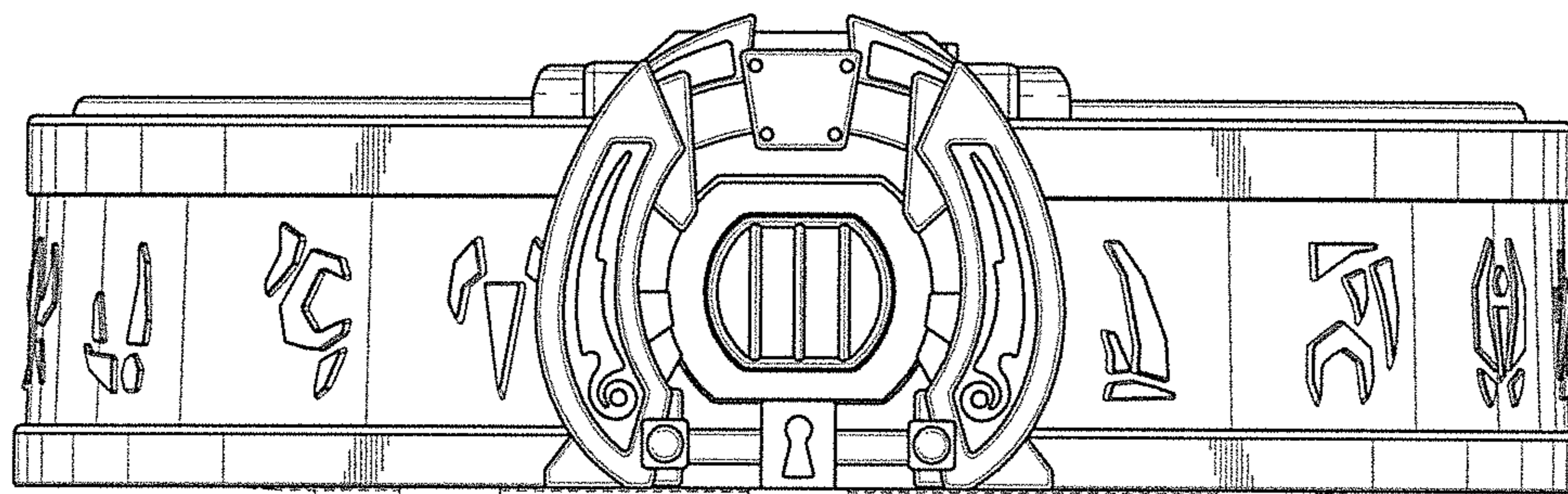


FIG. 8





*FIG. 9*



*FIG. 10*

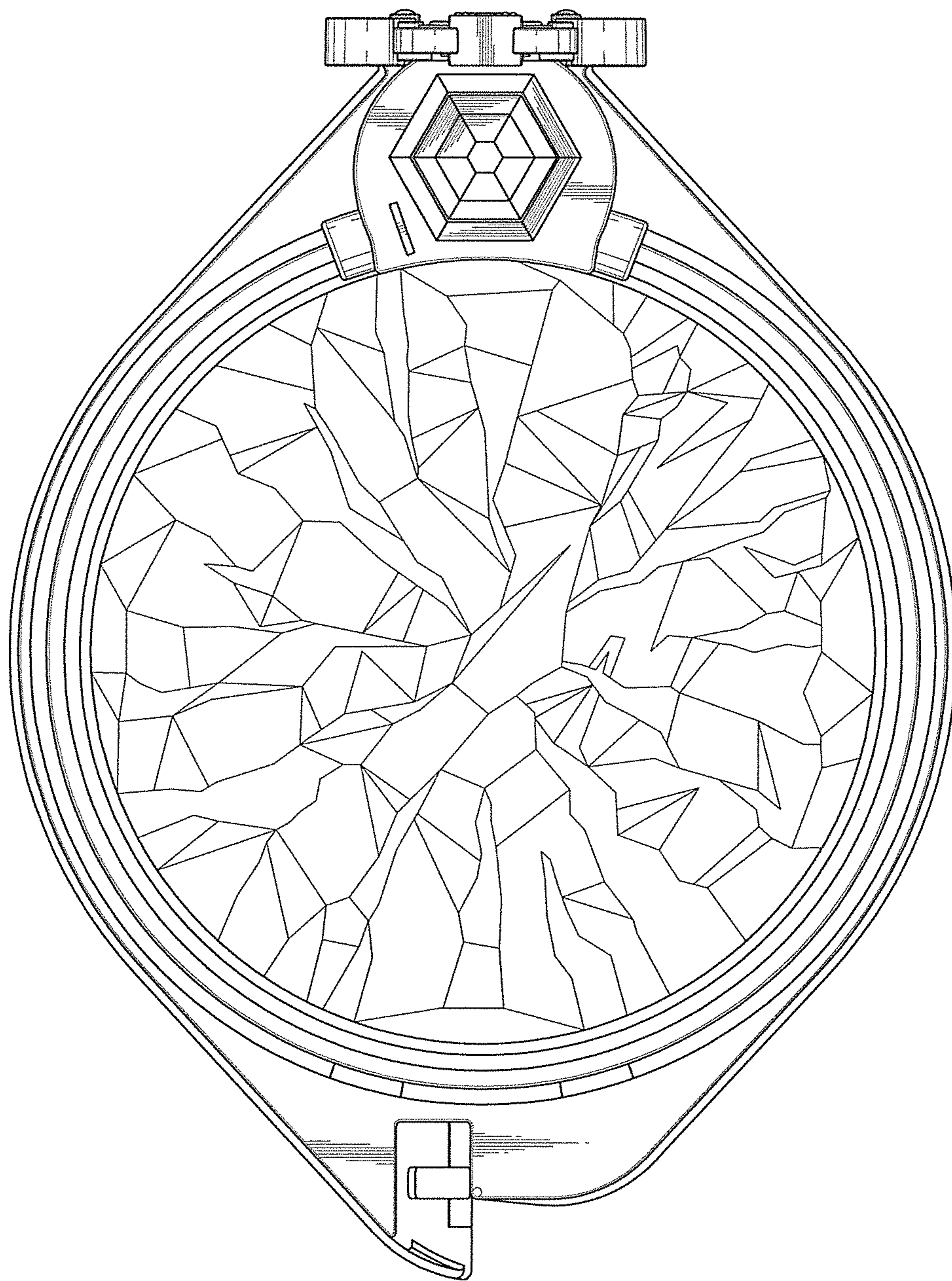


FIG. 11

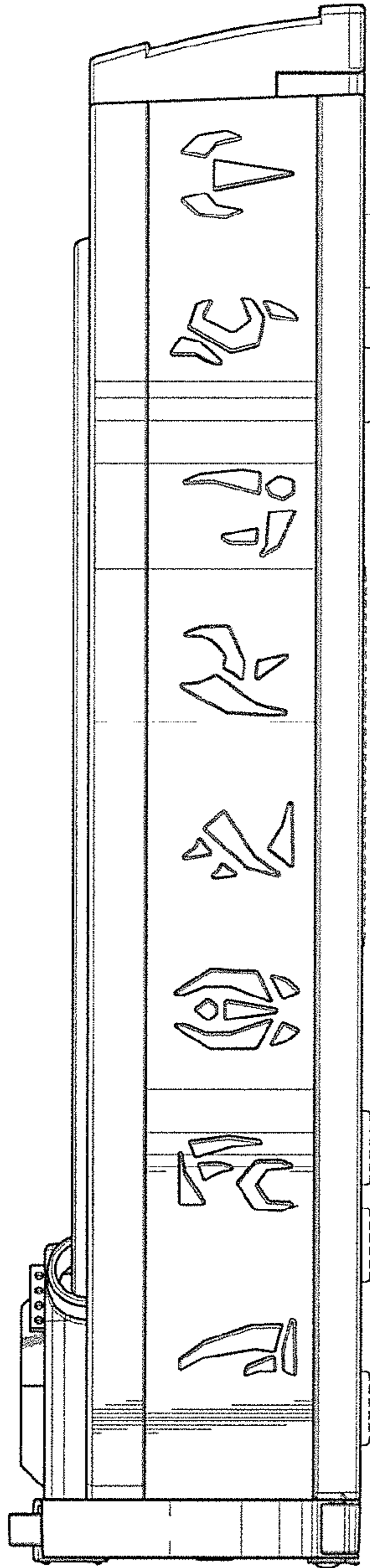


FIG. 12

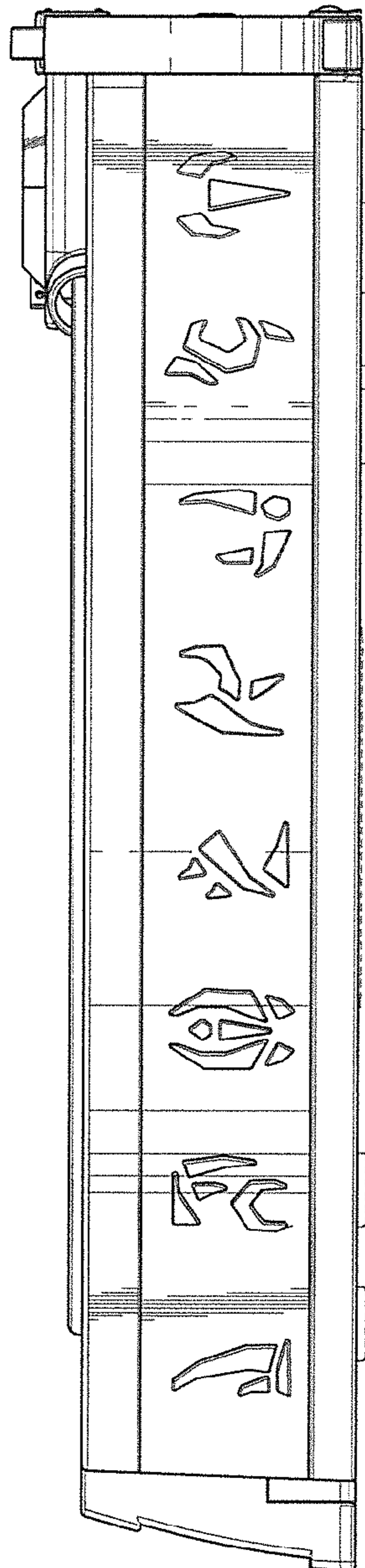
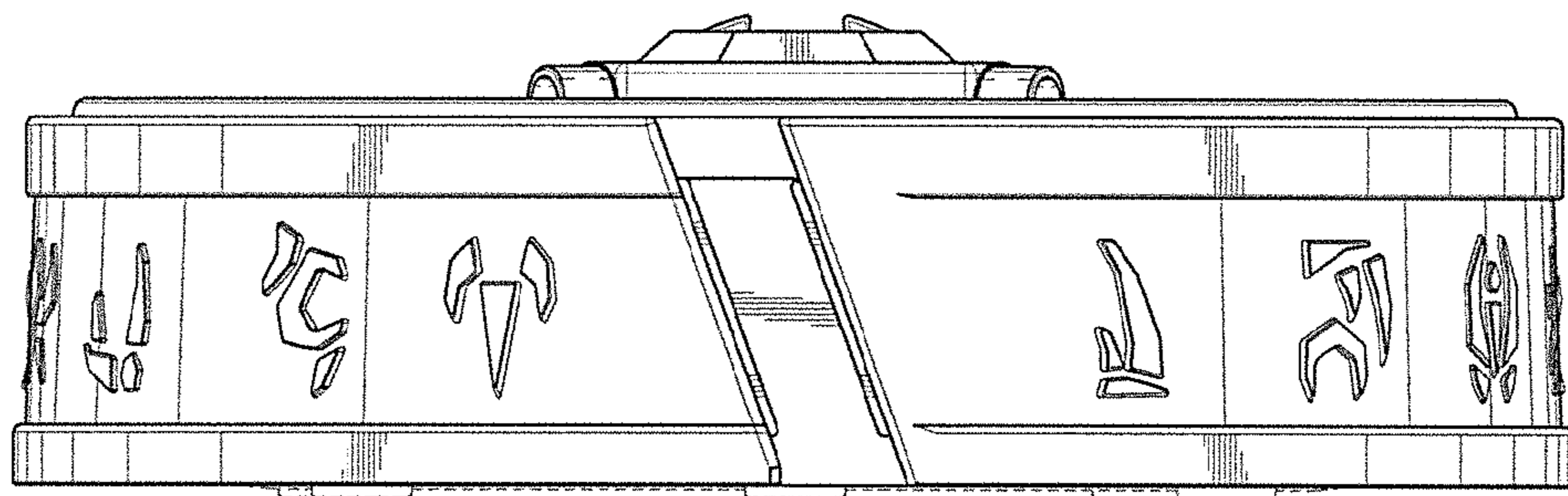


FIG. 13



*FIG. 14*

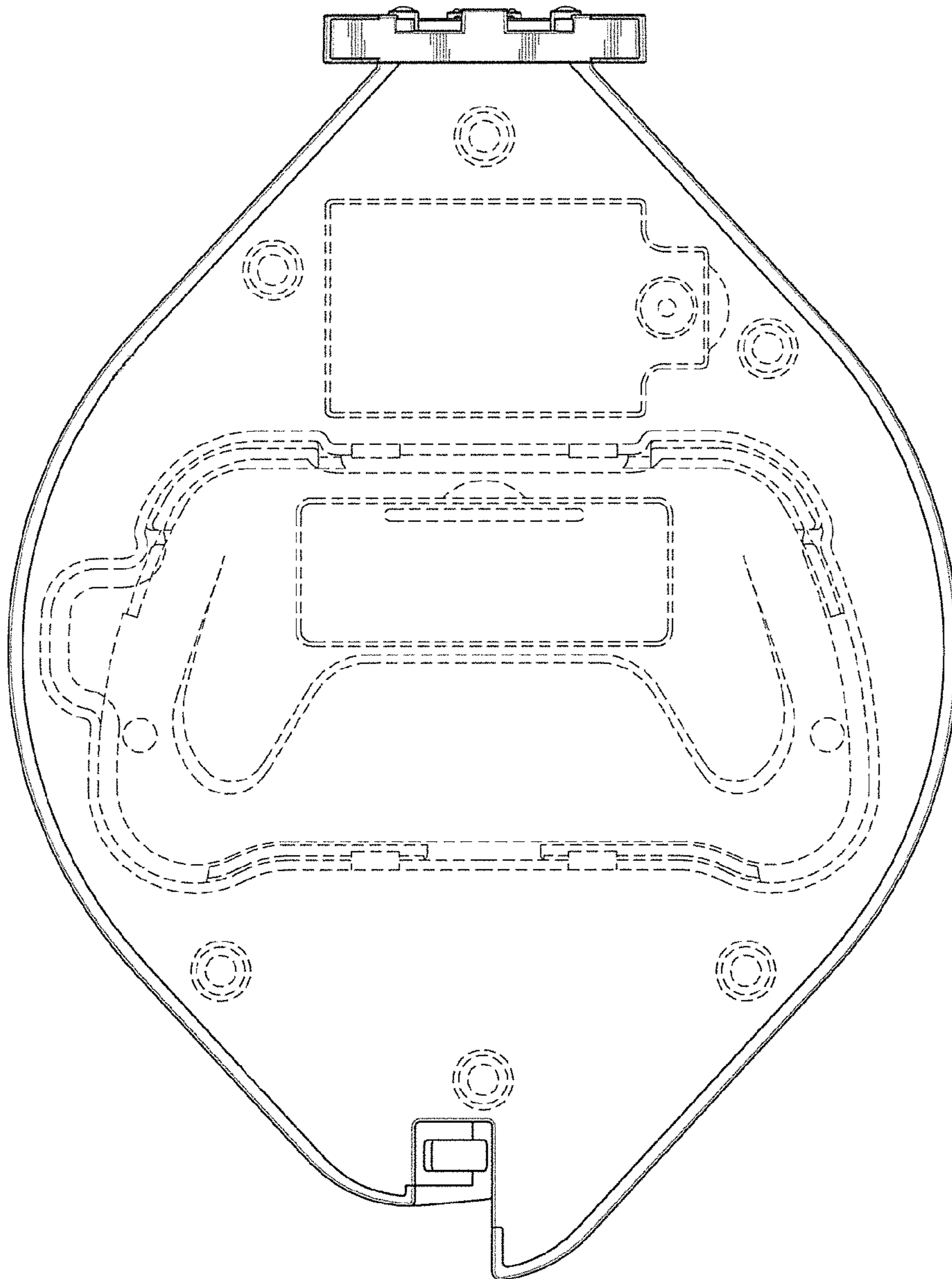


FIG. 15

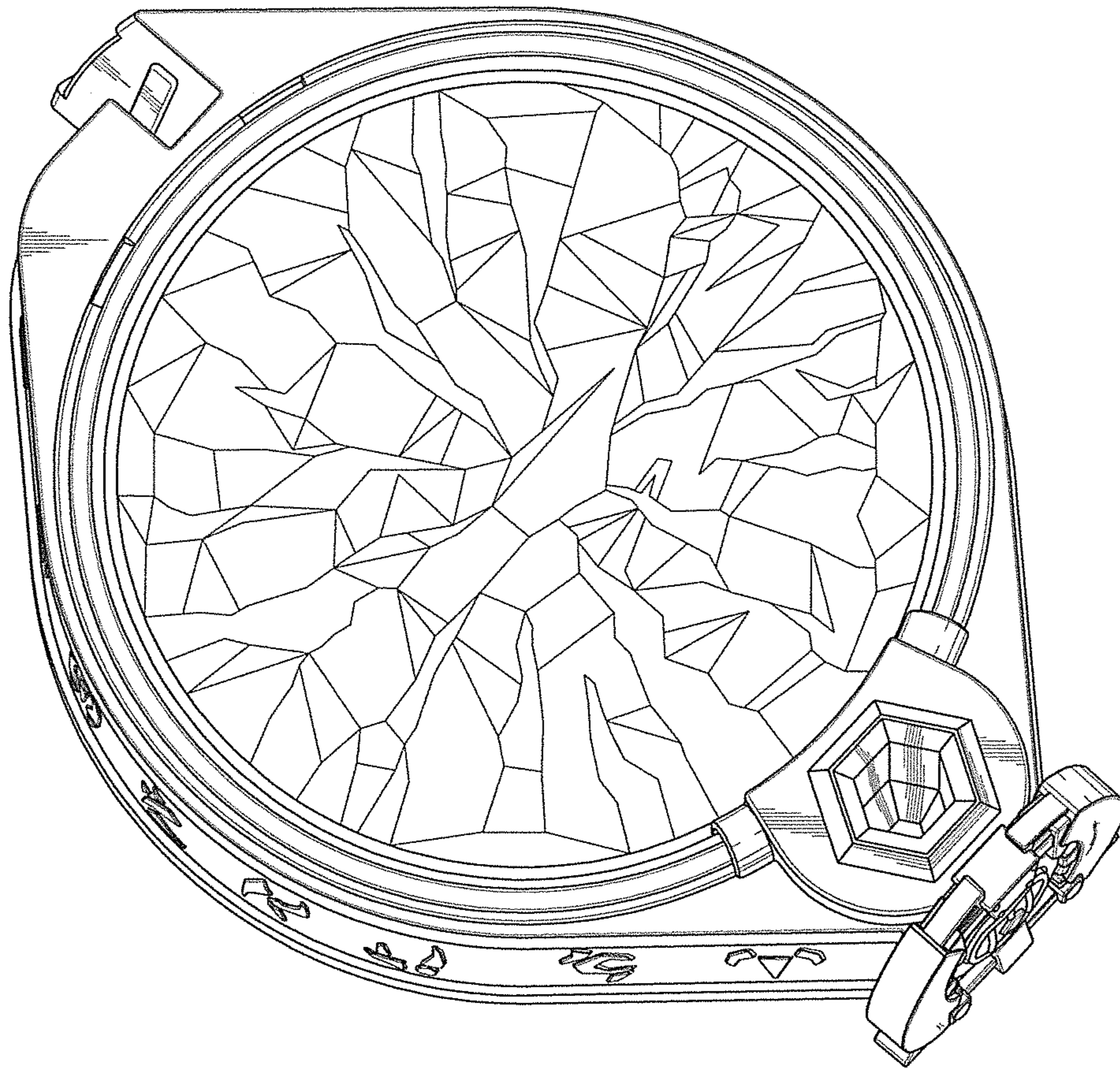


FIG. 16