



US00D749674S

(12) **United States Design Patent**
Ibbett

(10) **Patent No.:** **US D749,674 S**

(45) **Date of Patent:** **** Feb. 16, 2016**

(54) **VENDING KIOSK**

(56) **References Cited**

(71) Applicant: **Beaver Machine Corporation,**
Newmarket (CA)

U.S. PATENT DOCUMENTS

(72) Inventor: **Jamie Ibbett,** Toronto (CA)

D151,064	S	*	9/1948	Moore	D20/4
2,466,159	A	*	4/1949	Dodson	221/79
3,397,763	A	*	8/1968	Wahlberg	194/206
D358,427	S	*	5/1995	Gobindram	D20/1
D440,255	S	*	4/2001	Dickson	D20/5
D607,683	S	*	1/2010	Choi	D7/309
D624,275	S	*	9/2010	Min	D99/28
D624,778	S	*	10/2010	Meldrum et al.	D7/307
D651,686	S	*	1/2012	Wilson	D23/207
D689,552	S	*	9/2013	Brown	D20/1
D696,350	S	*	12/2013	d'Amore et al.	D20/1

(73) Assignee: **BEAVER MACHINE**
CORPORATION, Newmarket, CA
(US)

(**) Term: **14 Years**

* cited by examiner

(21) Appl. No.: **29/483,289**

Primary Examiner — Mary Ann Calabrese

(22) Filed: **Feb. 27, 2014**

(74) *Attorney, Agent, or Firm* — Walker & Jocke

(30) **Foreign Application Priority Data**

Sep. 3, 2013 (CA) 152786

(51) **LOC (10) Cl.** **20-01**

(52) **U.S. Cl.**
USPC **D20/1**

(58) **Field of Classification Search**
USPC D20/1-9; D99/28; D6/515;
D7/305-312; D15/89

CPC G07F 9/00; G07F 9/02; G07F 9/026;
G07F 9/06; G07F 11/00; G07F 11/007;
G07F 11/02; G07F 11/06; G07F 11/10;
G07F 11/24; G07F 11/21; G07F 11/38;
G07F 11/62; G07F 11/165; G07F 13/00;
G07F 13/10; G07F 17/42

See application file for complete search history.

(57) **CLAIM**

The ornamental design for a vending kiosk, as shown and described.

DESCRIPTION

FIG. 1 is a front, left side perspective view of a third embodiment of the vending kiosk.

FIG. 2 is a front view thereof.

FIG. 3 is a left side view thereof, the right side thereof being a mirror image; and,

FIG. 4 is a top view thereof.

The broken lines indicate unclaimed portions and form no part of the claimed design. The bottom and rear surfaces do not form part of the claimed design.

1 Claim, 3 Drawing Sheets

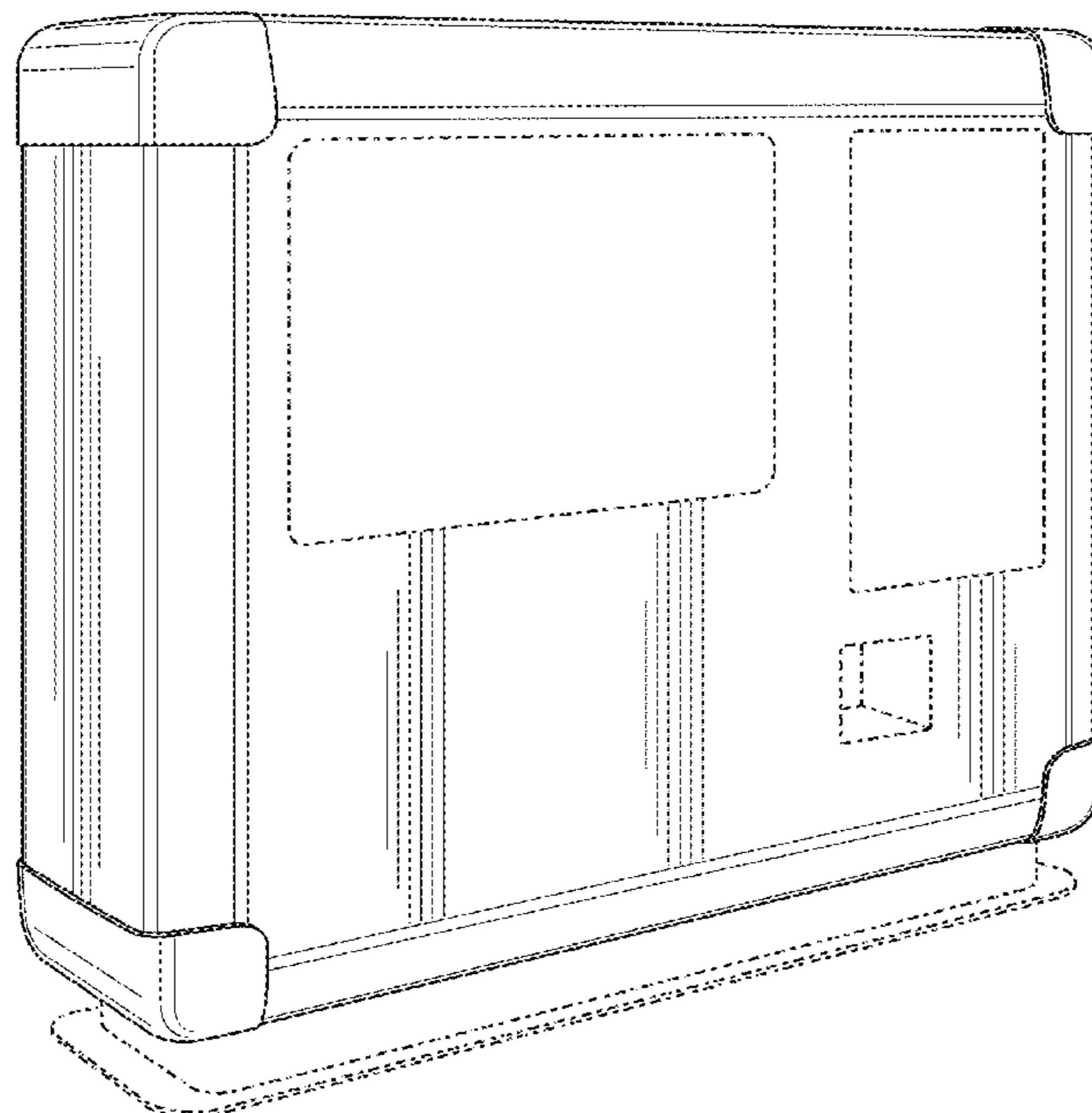


Fig. 1

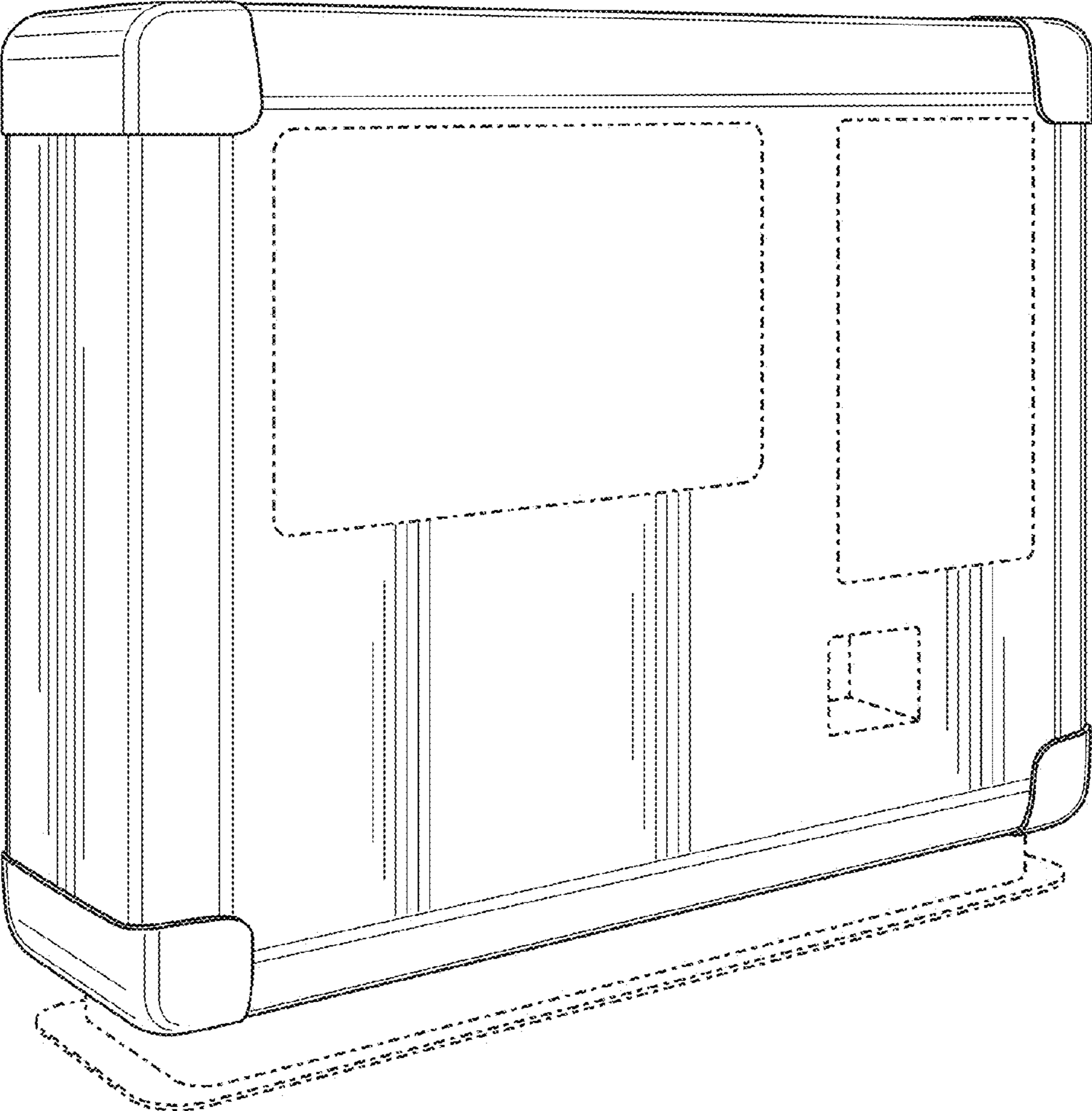


Fig. 2

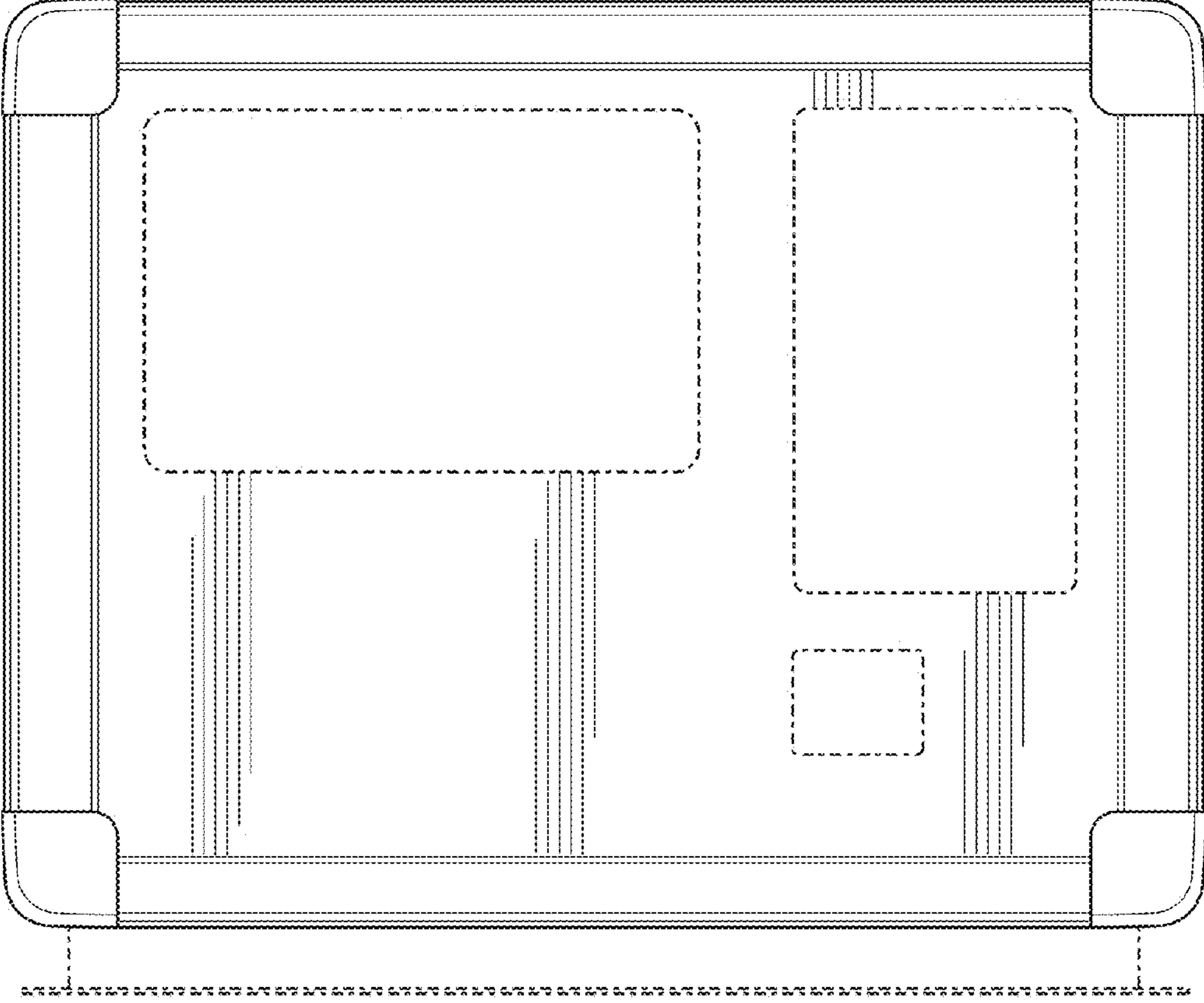


Fig. 3

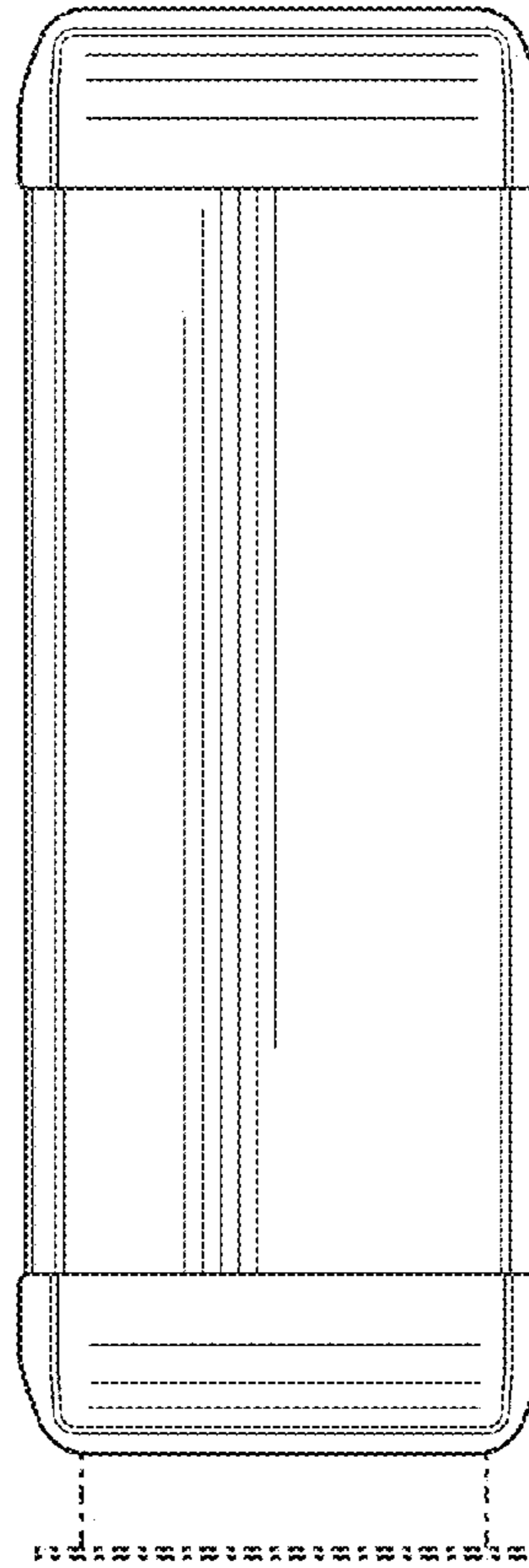


Fig. 4

