



US00D749666S

(12) **United States Design Patent**  
**Ahdoot**

(10) **Patent No.:** **US D749,666 S**

(45) **Date of Patent:** **\*\* Feb. 16, 2016**

(54) **CAMERA REMOTE CONTROL**

(71) Applicant: **Amir Ahdoot**, Los Angeles, CA (US)

(72) Inventor: **Amir Ahdoot**, Los Angeles, CA (US)

(\*\*) Term: **14 Years**

(21) Appl. No.: **29/493,617**

(22) Filed: **Jun. 11, 2014**

(51) **LOC (10) Cl.** ..... **16-05**

(52) **U.S. Cl.**  
USPC ..... **D16/237**; D14/218

(58) **Field of Classification Search**  
USPC ..... D16/134, 136, 213–219, 235, 237,  
D16/239–242, 245; D14/203.4, 218, 250,  
D14/345, 440, 449; D3/205, 227, 247, 263,  
D3/267, 268, 298; D9/454, 529, 542;  
D13/168  
CPC ..... G03B 17/02–17/04; G03B 17/14;  
G03B 17/56; G03B 17/561–17/568; G03B  
21/20–21/2066; G03B 15/041–15/0436;  
G02B 7/02–7/04; G02B 7/14; H04N  
5/2251–5/2554

See application file for complete search history.

(56) **References Cited**

**U.S. PATENT DOCUMENTS**

D371,791 S \* 7/1996 Patton ..... D14/218  
D371,793 S \* 7/1996 Patton ..... D14/218

D418,125 S \* 12/1999 Jobs ..... D14/408  
D526,973 S \* 8/2006 Gates ..... D13/168  
D596,622 S \* 7/2009 Lee ..... D14/218  
D627,306 S \* 11/2010 Charleux ..... D13/168  
D700,904 S \* 3/2014 Miller ..... D13/168  
D736,848 S \* 8/2015 Kim ..... D16/136  
D738,858 S \* 9/2015 Tuhkanen ..... D14/218  
2003/0122698 A1 \* 7/2003 Horie ..... G06F 3/0231  
341/176

\* cited by examiner

*Primary Examiner* — Susan Bennett Hattan

*Assistant Examiner* — Vy Koenig

(74) *Attorney, Agent, or Firm* — Michael N. Cohen; Cohen  
I.P. Law Group

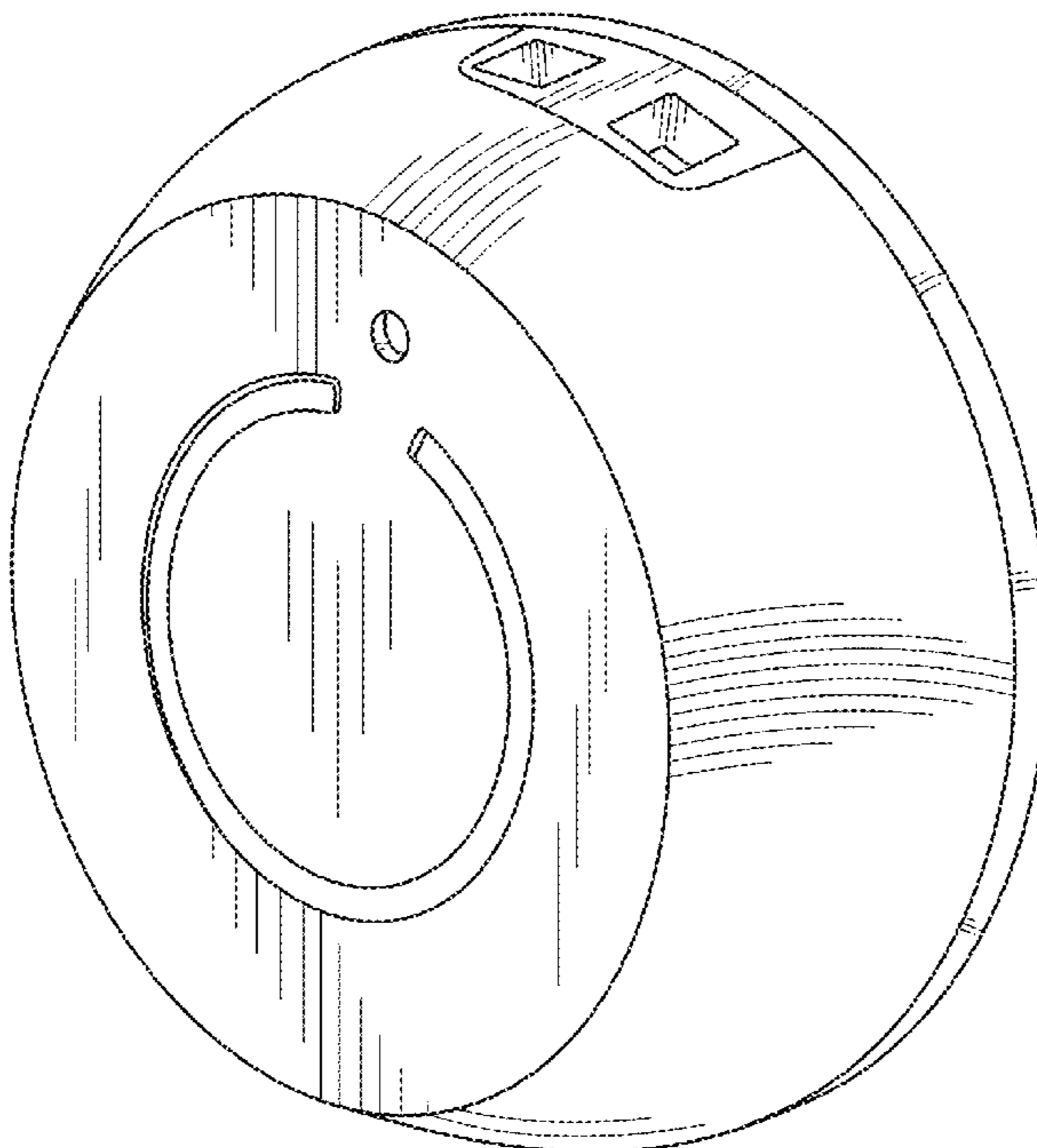
(57) **CLAIM**

I claim the ornamental design for the camera remote control,  
as shown and described.

**DESCRIPTION**

FIG. 1 is a top perspective view of a camera remote control  
showing my new design;  
FIG. 2 is a bottom perspective view of FIG. 1;  
FIG. 3 is a top view of FIG. 1;  
FIG. 4 is a bottom view of FIG. 1;  
FIG. 5 is a horizontal side view of FIG. 1; and,  
FIG. 6 is a vertical side of FIG. 1.

**1 Claim, 5 Drawing Sheets**



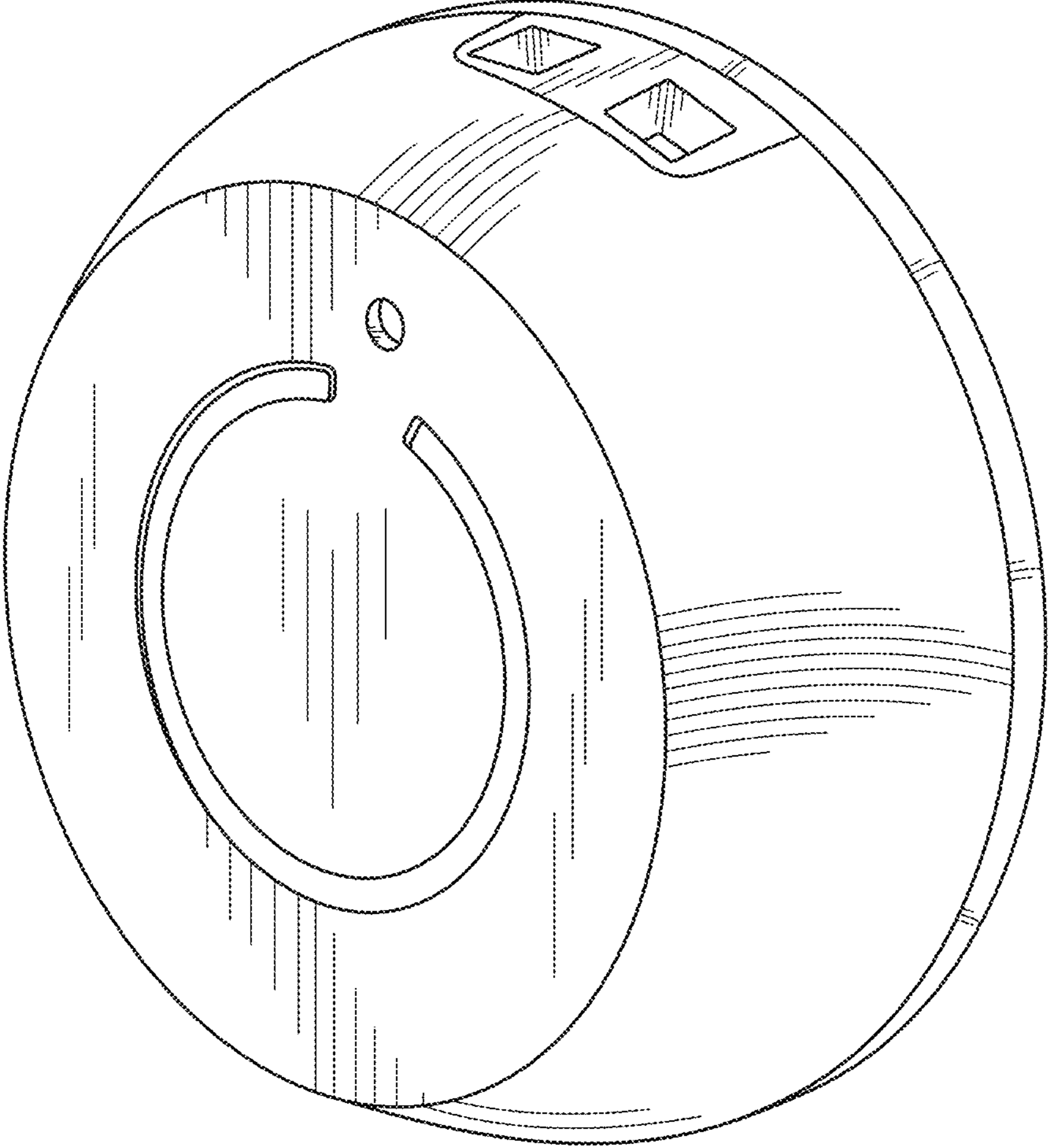


FIG. 1

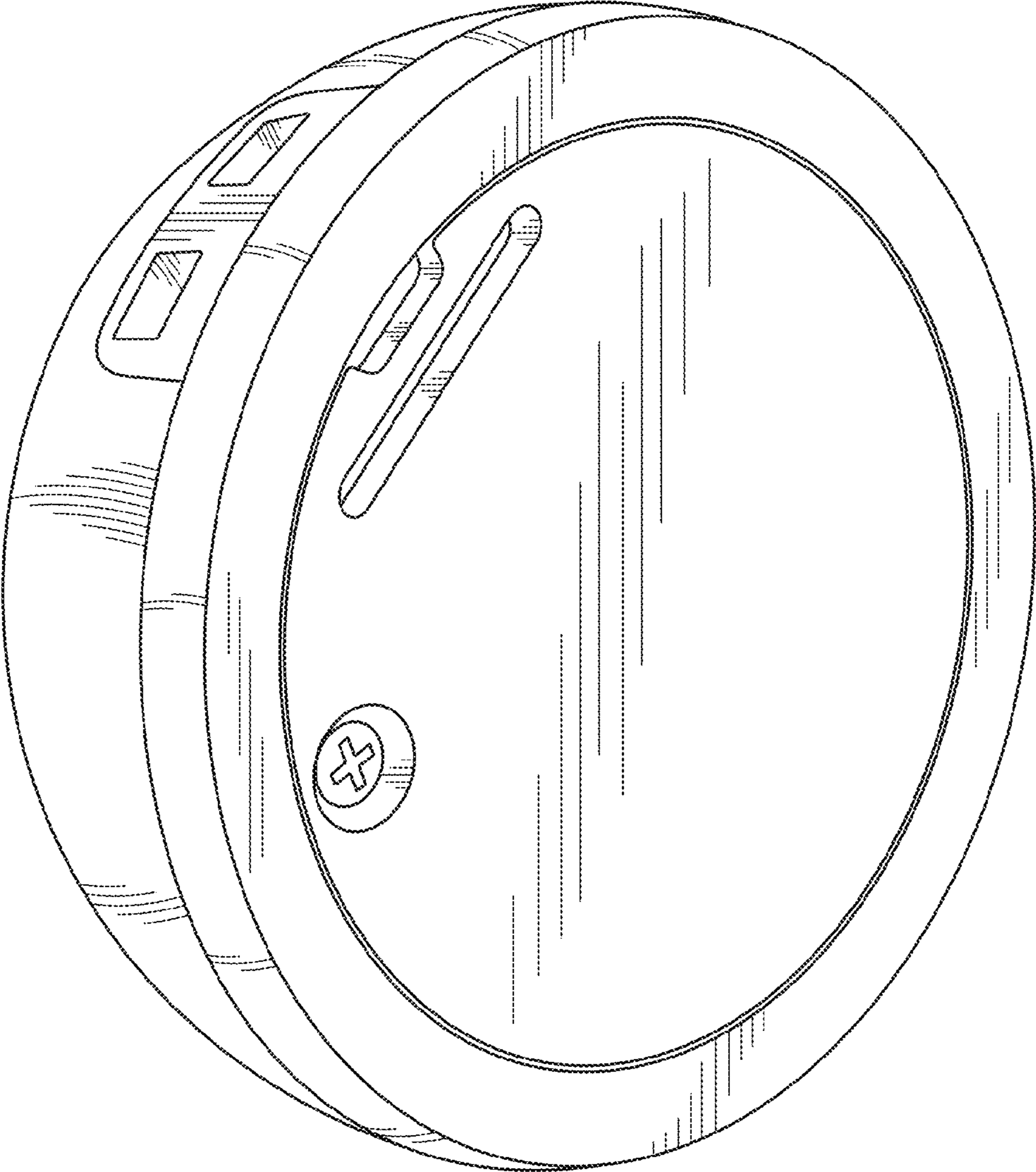


FIG. 2

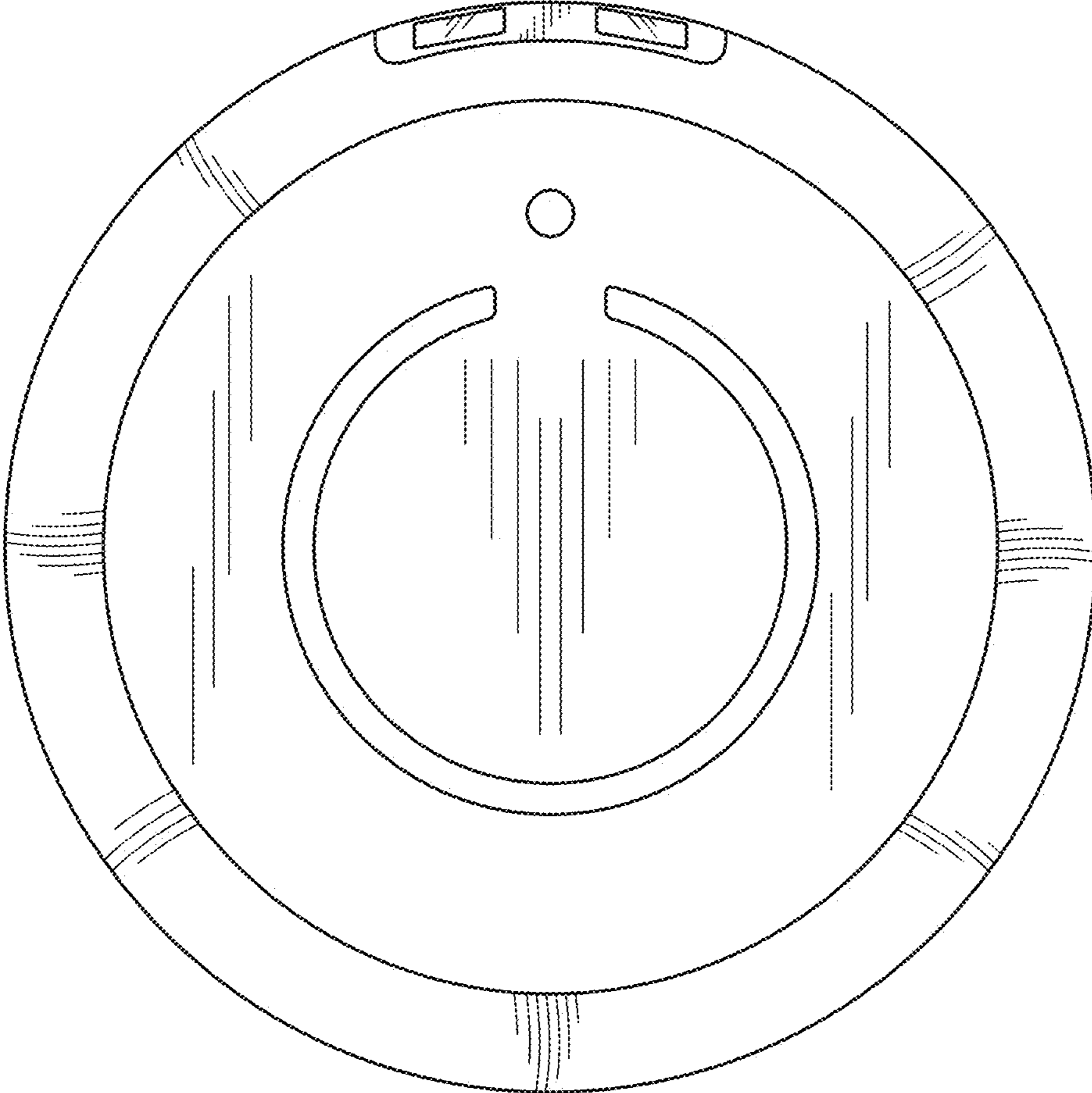


FIG. 3

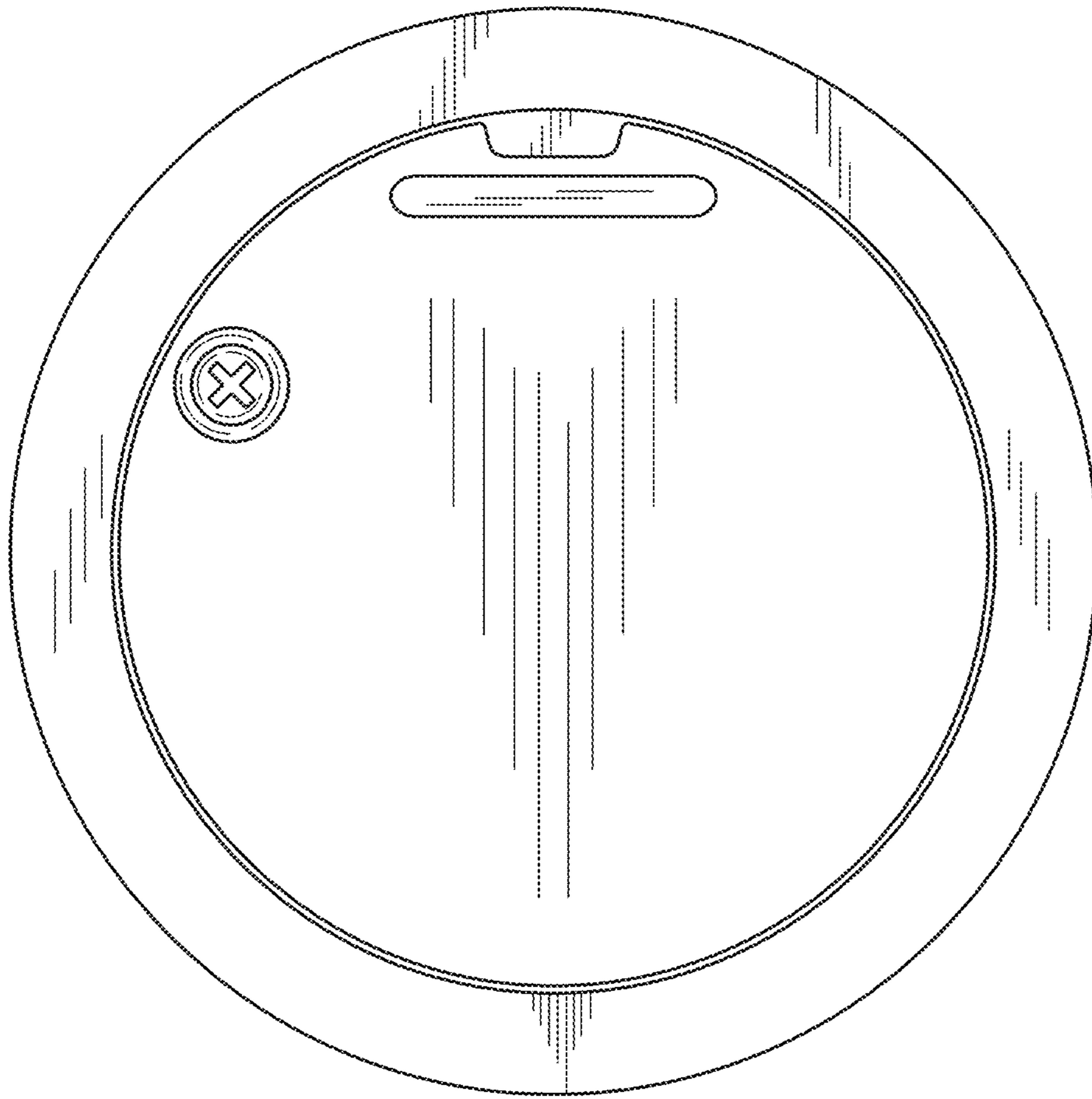


FIG. 4



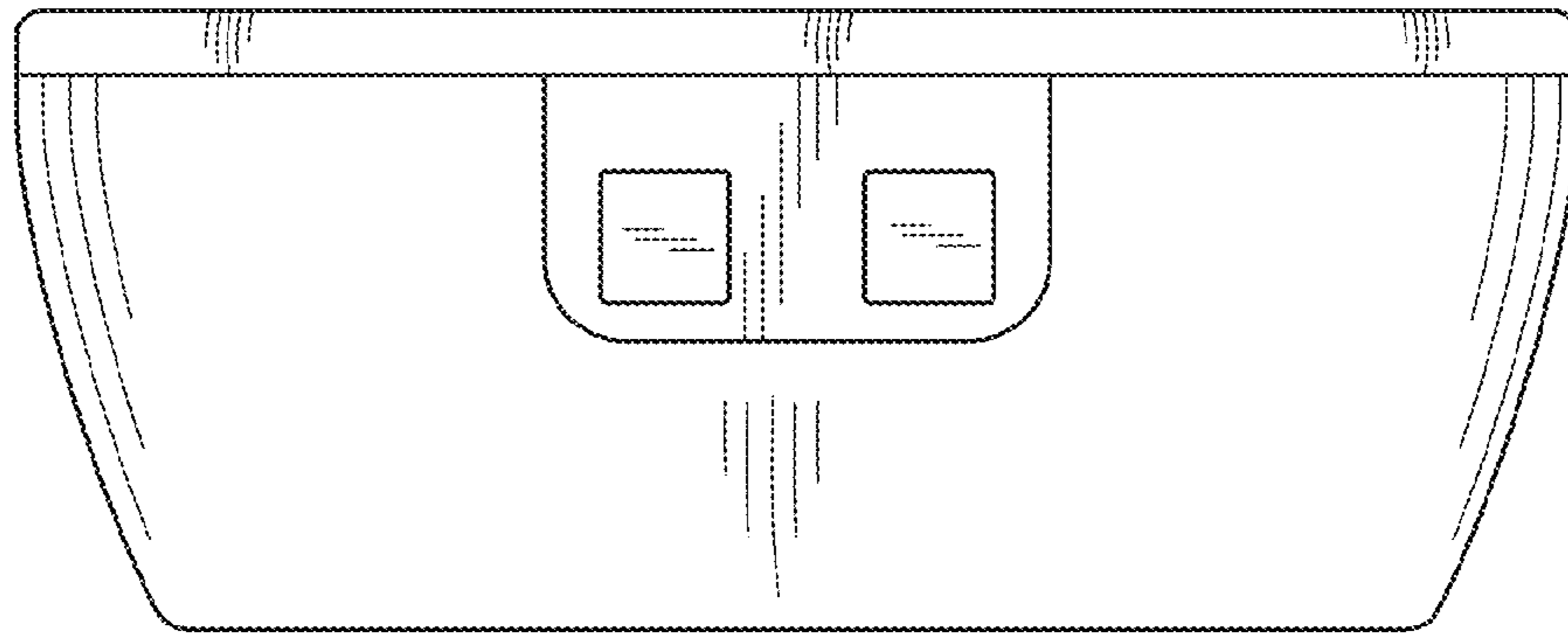


FIG. 5

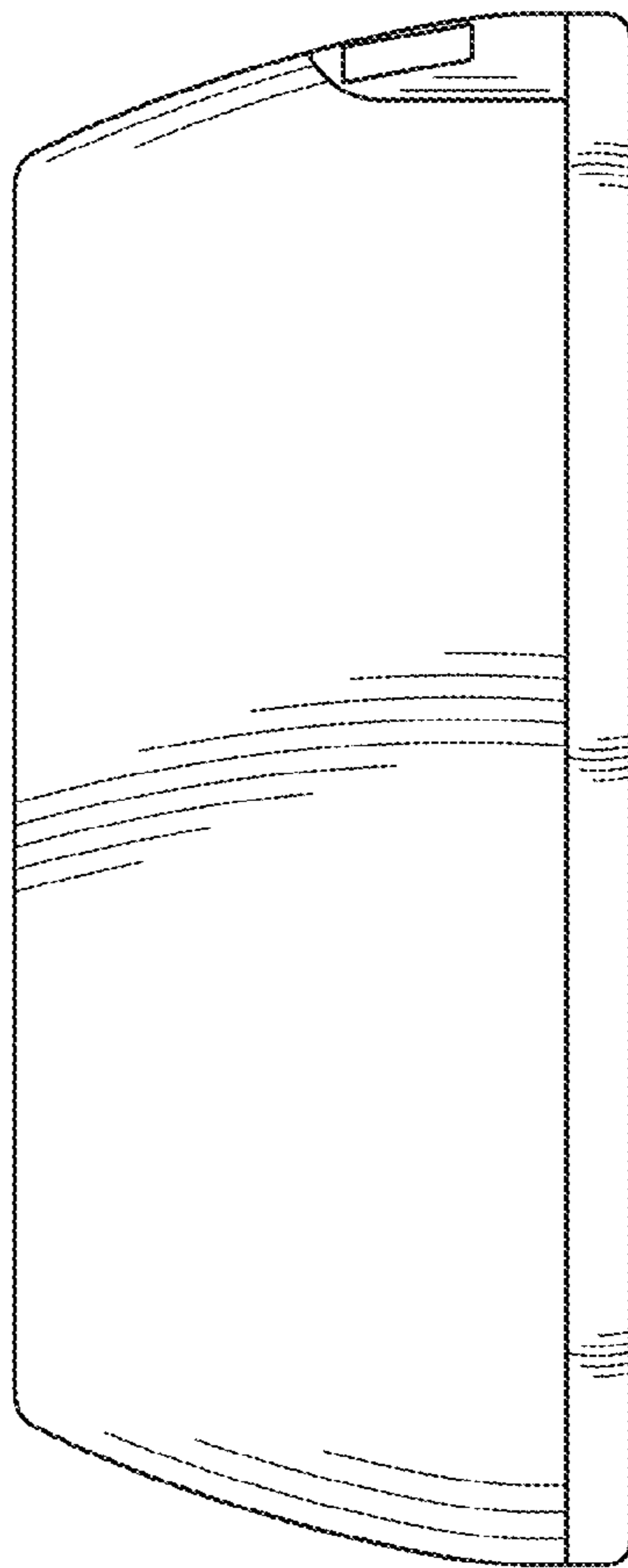


FIG. 6