



(12) **United States Design Patent**  
**Jannard et al.**

(10) **Patent No.:** **US D749,665 S**  
(45) **Date of Patent:** **\*\* Feb. 16, 2016**

(54) **CAMERA COMPONENT**

(71) Applicant: **RED.COM, INC.**, Irvine, CA (US)  
(72) Inventors: **James H. Jannard**, Las Vegas, NV (US); **Peter Jarred Land**, Los Angeles, CA (US); **Matthew Tremblay**, Laguna Beach, CA (US)  
(73) Assignee: **RED.COM, INC.**, Irvine, CA (US)

(\*\*) Term: **14 Years**

(21) Appl. No.: **29/487,131**

(22) Filed: **Apr. 4, 2014**

(51) **LOC (10) Cl.** ..... **16-05**

(52) **U.S. Cl.**  
USPC ..... **D16/237**

(58) **Field of Classification Search**  
USPC ..... D16/200, 202–208, 218, 219, 235, 237, D16/246, 250; D14/125, 203.1, 203.5, 217; 348/143, 151, 373–376; 358/906; 396/535–541  
CPC ..... G03B 15/03; G03B 17/02; G03B 17/04; G03B 17/56; G03B 19/04; H04N 5/2251; H04N 5/2252; H04N 5/2253; H04N 5/2254  
See application file for complete search history.

(56) **References Cited**

**U.S. PATENT DOCUMENTS**

D313,237 S *	12/1990	Fukuda	.....	D16/202
D504,905 S *	5/2005	Tullberg	.....	D16/218
D518,843 S *	4/2006	Tullberg	.....	D16/202
D594,047 S *	6/2009	Lee	.....	D16/202
D610,186 S	2/2010	Jannard et al.		
D636,424 S *	4/2011	Lin	.....	D16/202
D638,458 S *	5/2011	Miyamori	.....	D16/202
D647,122 S	10/2011	Jannard et al.		
D647,939 S	11/2011	Jannard et al.		
D647,943 S	11/2011	Jannard et al.		
D647,944 S	11/2011	Jannard et al.		
D647,945 S	11/2011	Jannard et al.		

(Continued)

*Primary Examiner* — Adir Aronovich  
*Assistant Examiner* — Ramzi Almatrahi  
(74) *Attorney, Agent, or Firm* — Knobbe Martens Olson & Bear LLP

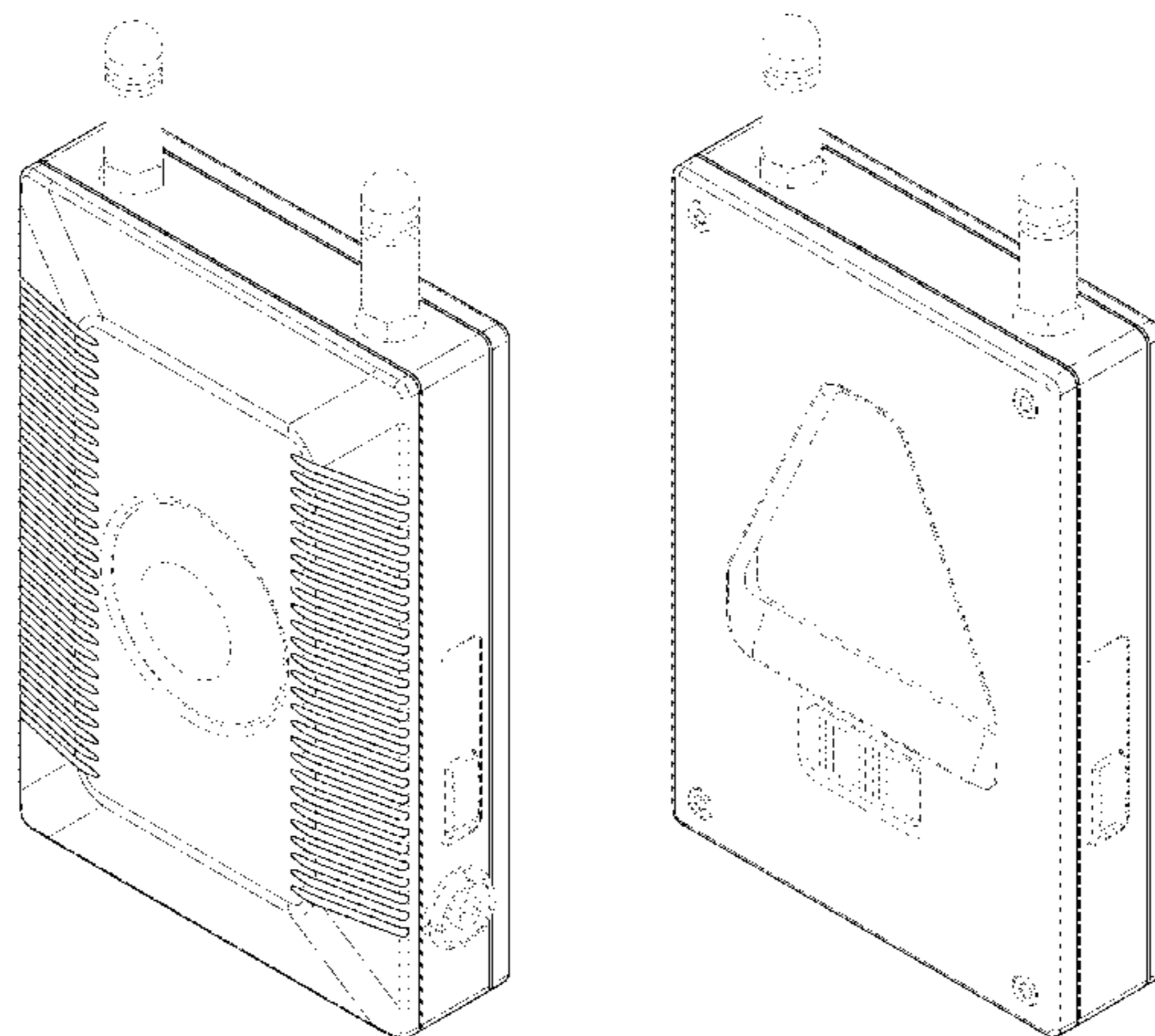
(57) **CLAIM**

The ornamental design for a camera component, as shown and described.

**DESCRIPTION**

FIG. 1 is a front perspective view of a camera component of the present invention;  
FIG. 2 is a rear perspective view thereof;  
FIG. 3 is a front elevational view thereof;  
FIG. 4 is a rear elevational view thereof;  
FIG. 5 is a right-side elevational view thereof;  
FIG. 6 is a left-side elevational view thereof;  
FIG. 7 is a top plan view thereof; and  
FIG. 8 is a bottom plan view thereof.  
FIG. 9 is a front perspective view of a second embodiment of a camera component of the present invention;  
FIG. 10 is a rear perspective view of the camera component of FIG. 9;  
FIG. 11 is front elevational view of the camera component of FIG. 9;  
FIG. 12 is a rear elevational view of the camera component of FIG. 9;  
FIG. 13 is a right-side elevational view of the camera component of FIG. 9;  
FIG. 14 is a left-side elevational view of the camera component of FIG. 9;  
FIG. 15 is a top plan view of the camera component of FIG. 9; and  
FIG. 16 is a bottom plan view of the camera component of FIG. 9.  
Phantom lining, throughout the views depicting portions of a camera component in which the design is embodied is for illustrative purposes only and form no part of the claimed design.

**1 Claim, 12 Drawing Sheets**



(56)

**References Cited**

U.S. PATENT DOCUMENTS

D648,369 S	11/2011	Jannard et al.		8,477,238 B2	7/2013	Jannard	
D649,576 S	11/2011	Jannard et al.		8,525,924 B2	9/2013	Jannard	
D653,693 S	2/2012	Jannard et al.		8,525,925 B2	9/2013	Jannard	
D654,108 S *	2/2012	Sims .....	D16/200	D695,806 S *	12/2013	Konishi .....	D16/202
D654,110 S	2/2012	Jannard et al.		D696,336 S	12/2013	Jannard et al.	
D658,700 S	5/2012	Jannard et al.		2013/0038728 A1 *	2/2013	Kim .....	H04N 5/2256 348/143
D671,584 S *	11/2012	Ohno .....	D16/202	2013/0229515 A1 *	9/2013	Barley .....	G03B 17/02 348/143
D675,661 S	2/2013	Jannard et al.		2014/0002725 A1	1/2014	Jannard	
D676,477 S *	2/2013	Chen .....	D16/202	2014/0132816 A1	5/2014	Jannard	

\* cited by examiner

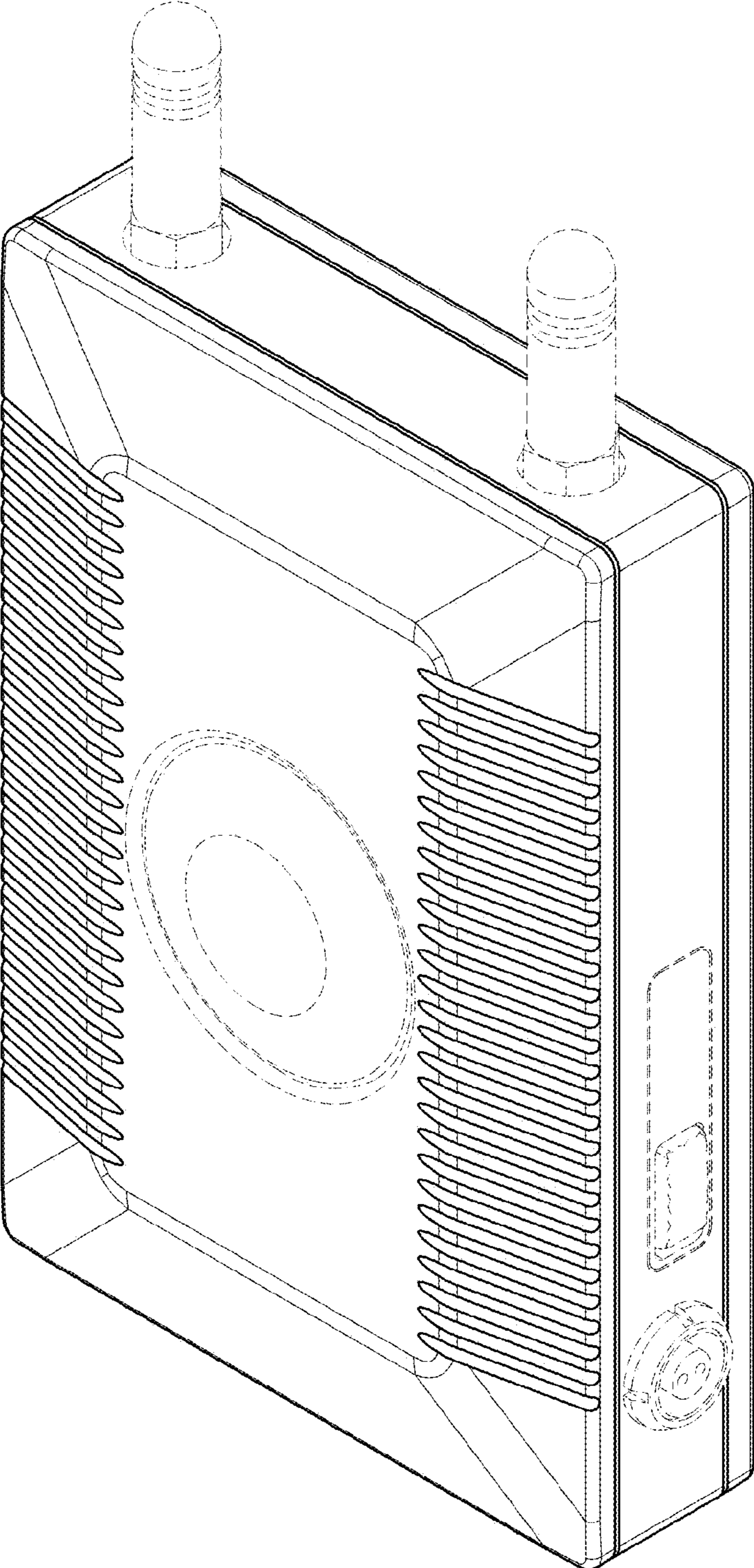


FIG. 1

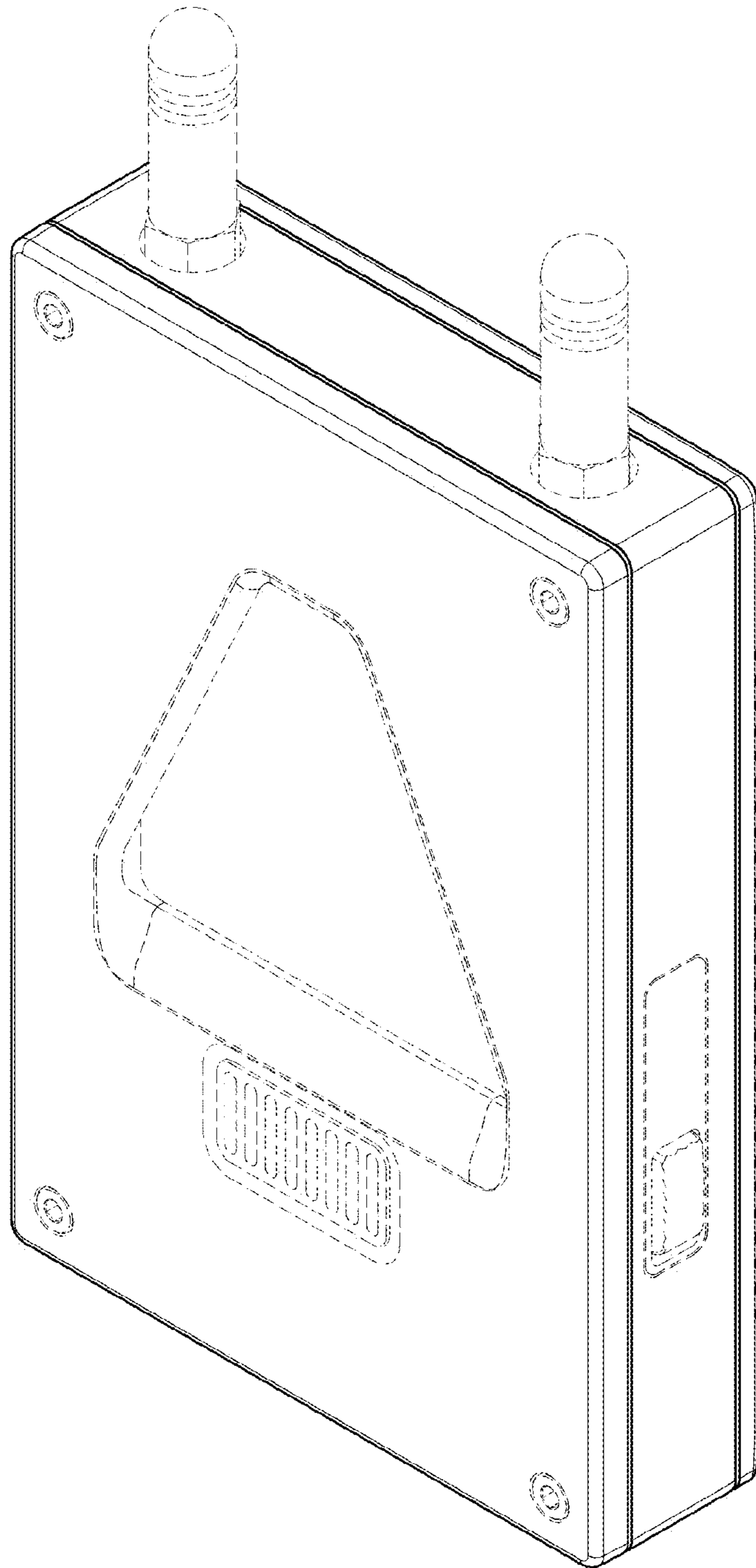


FIG. 2

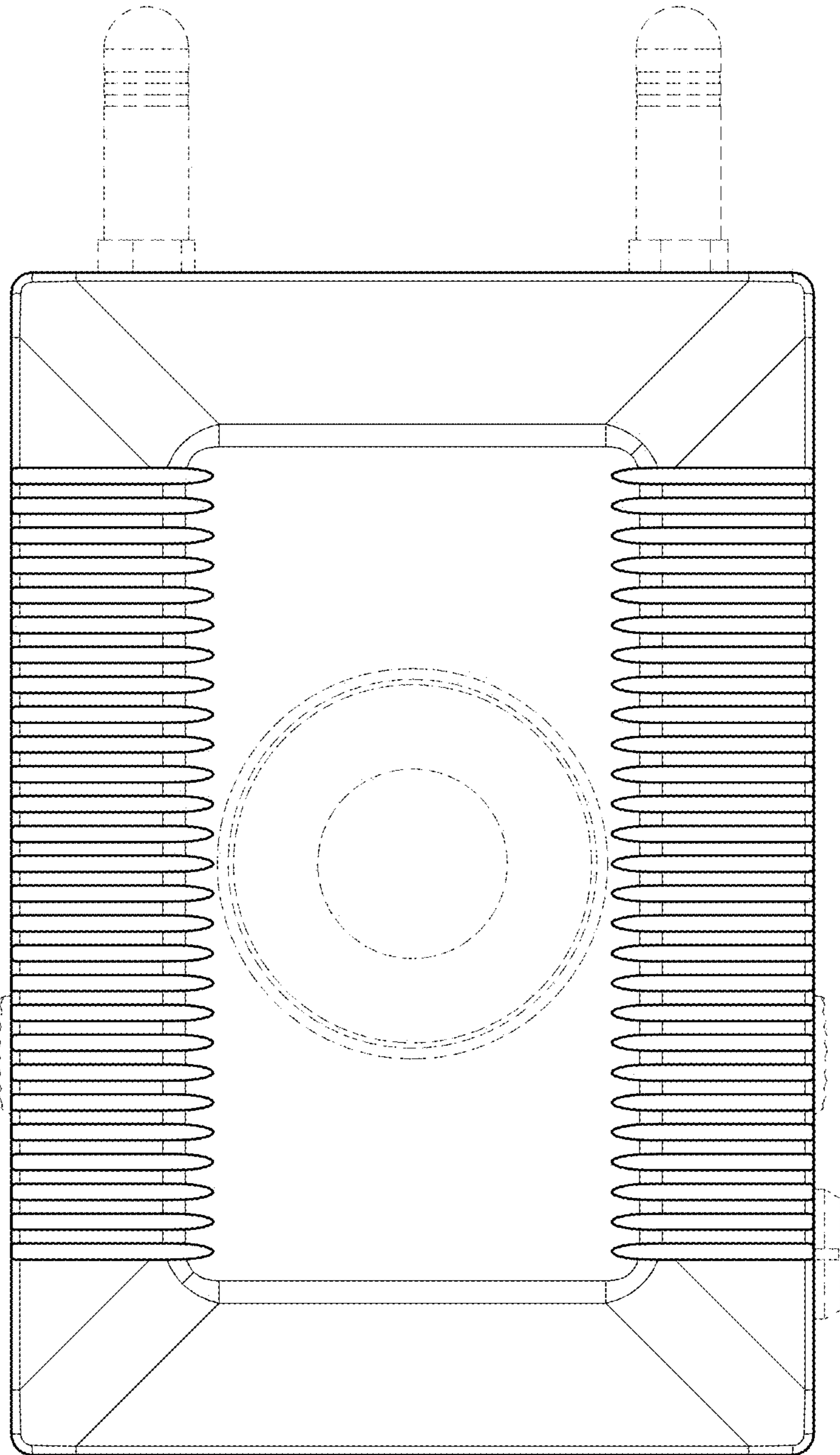


FIG. 3

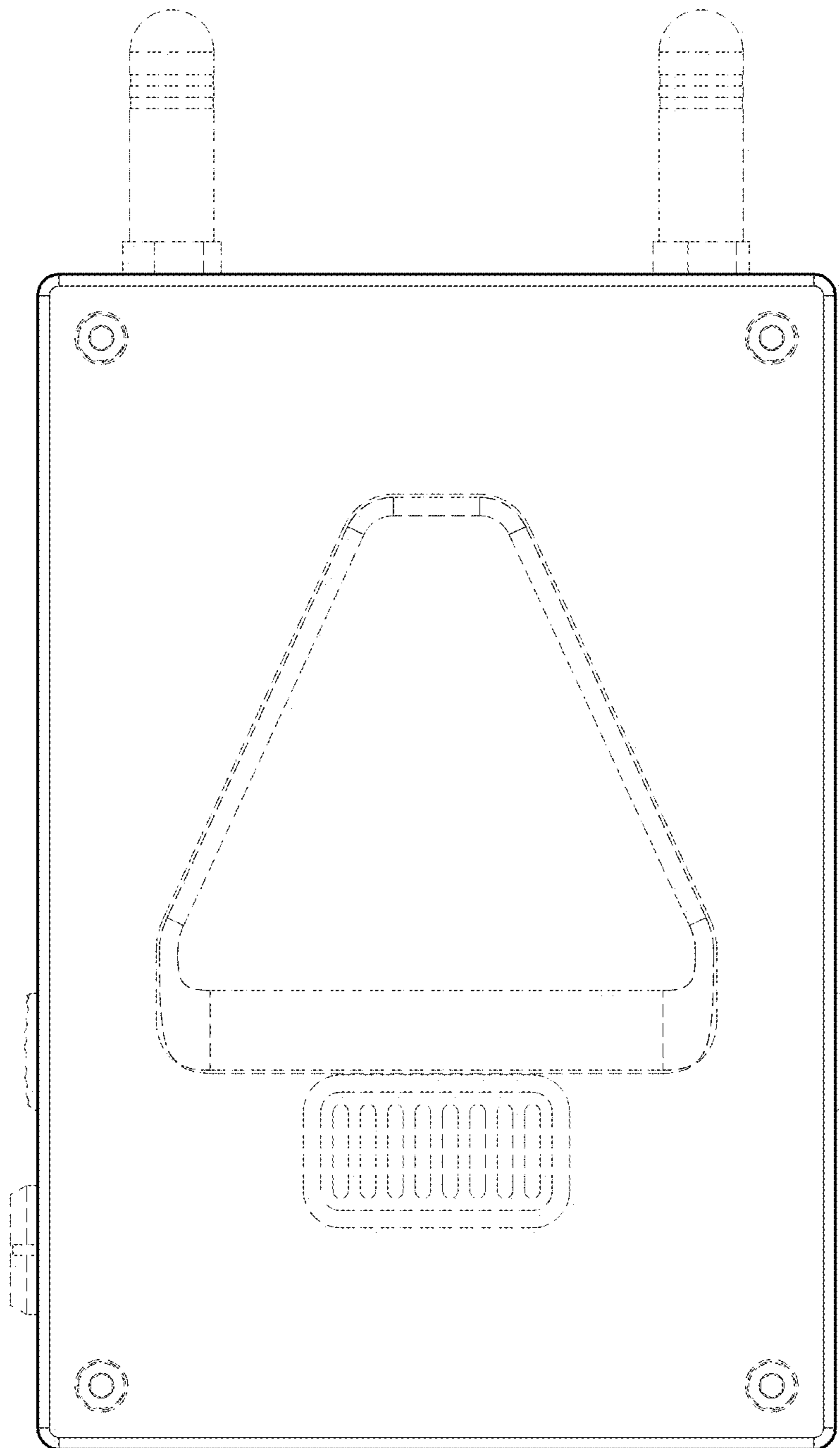


FIG. 4

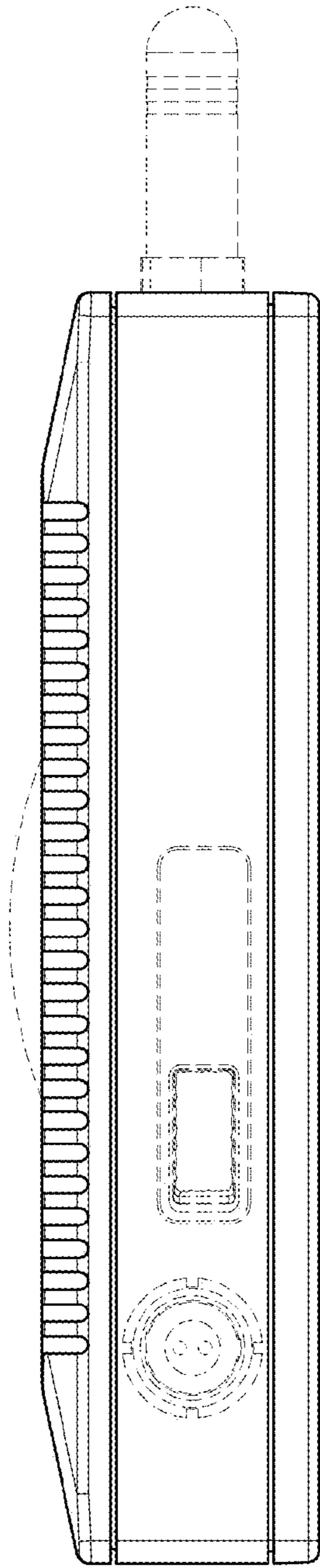


FIG. 5

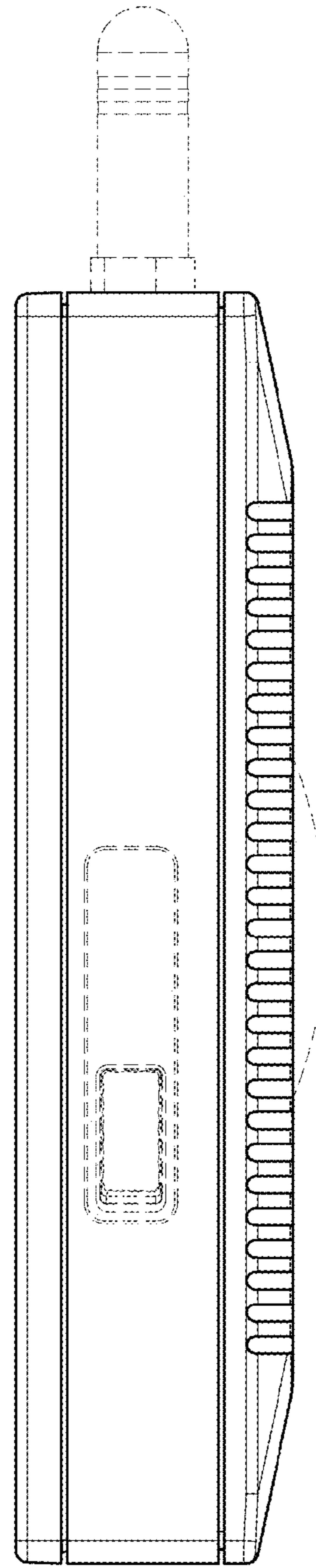
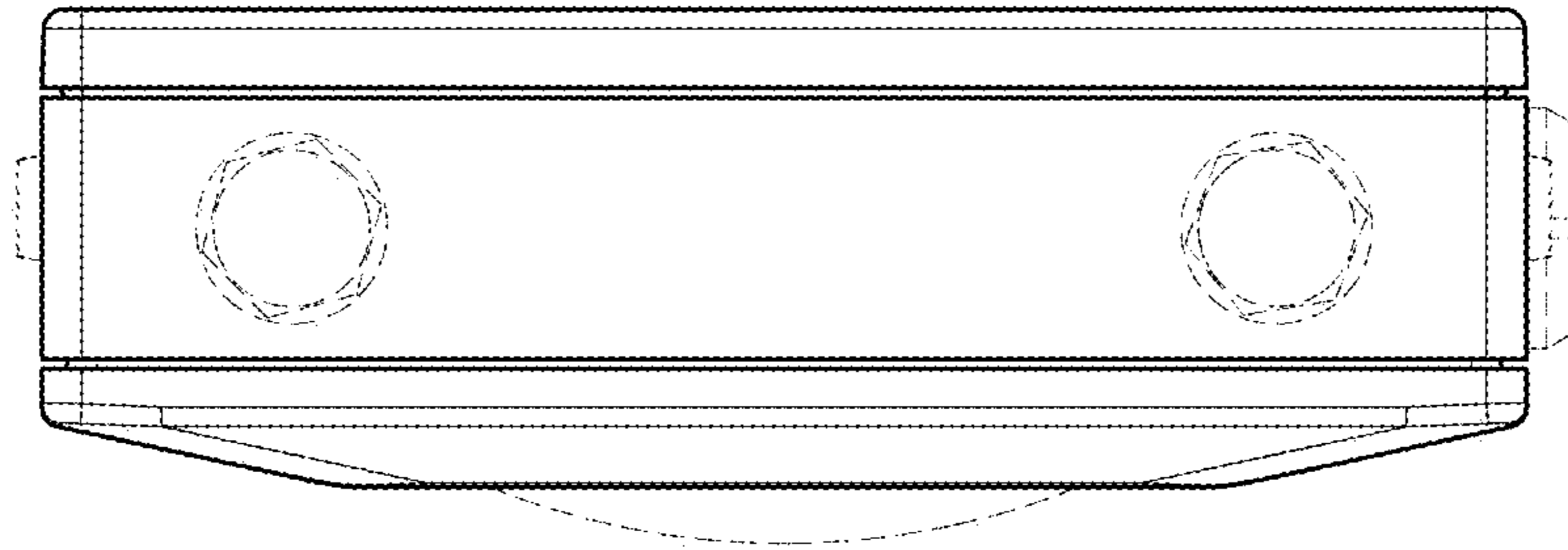
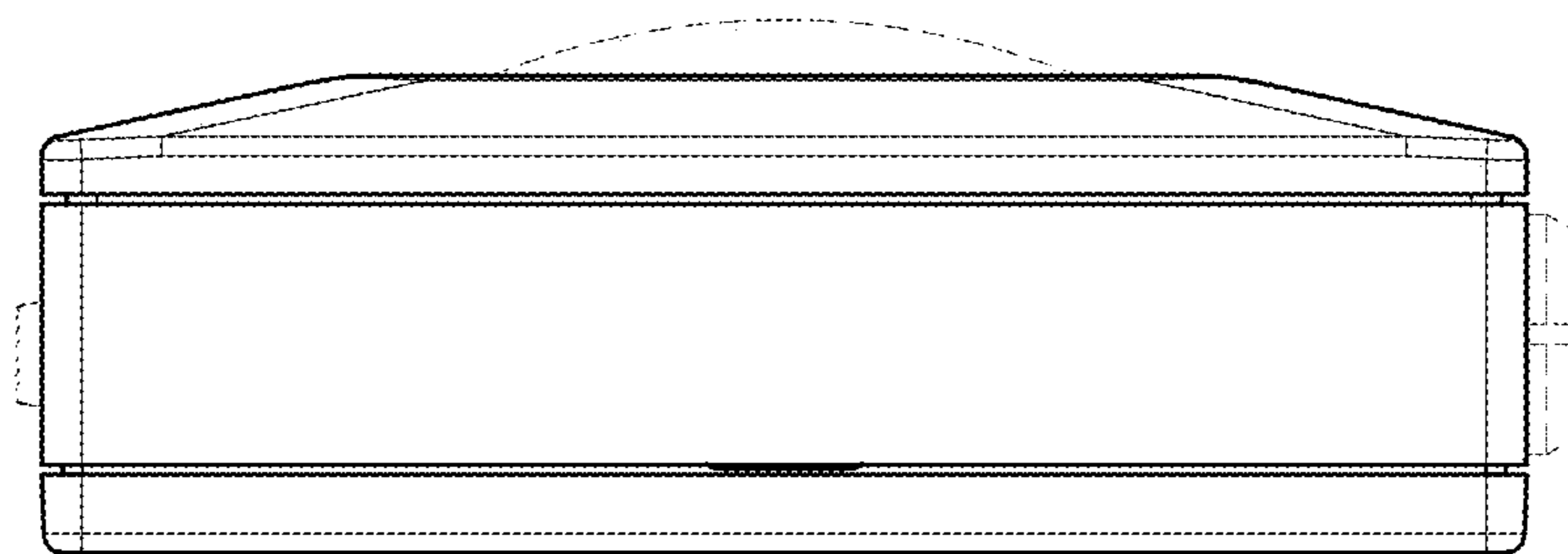


FIG. 6



*FIG. 7*



*FIG. 8*



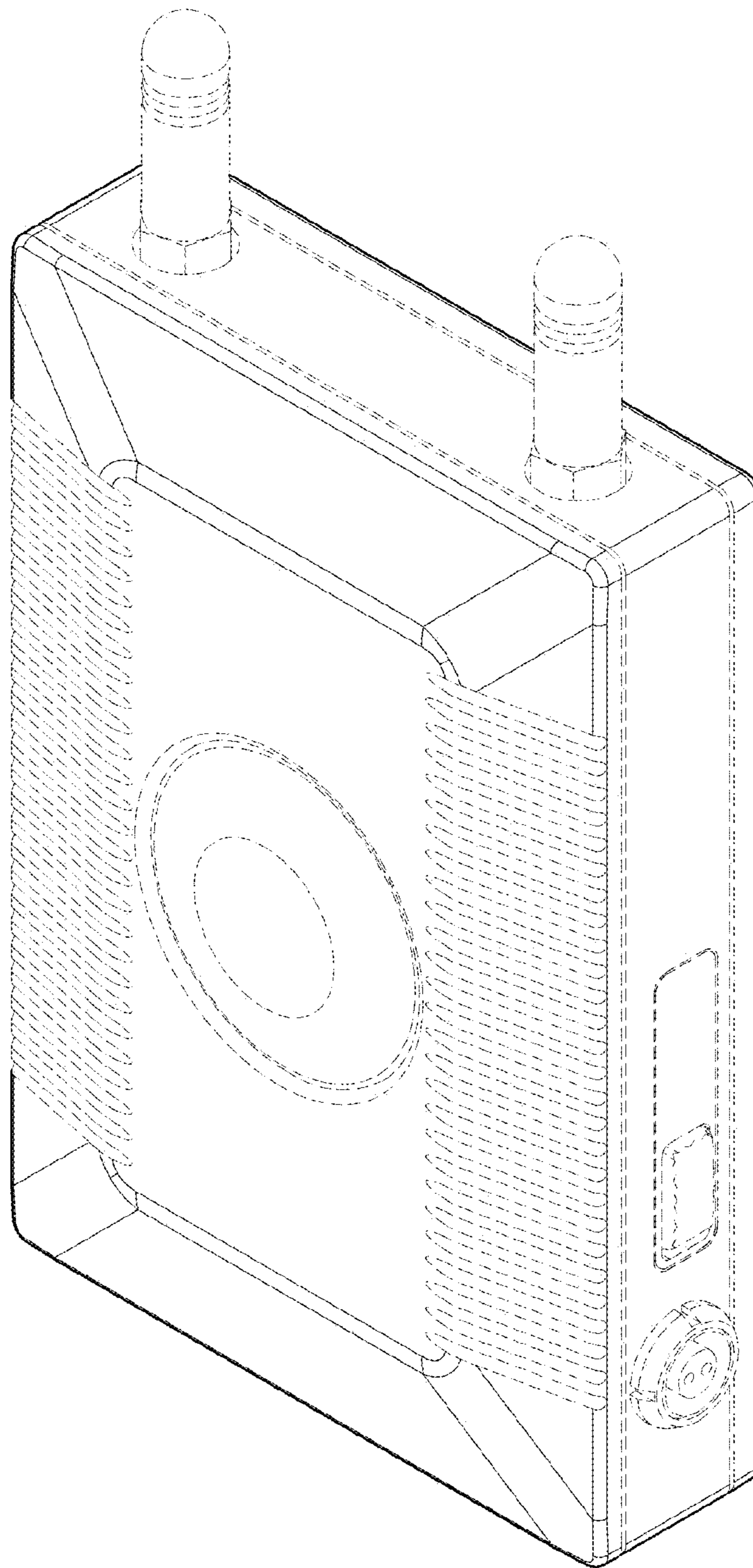


FIG. 9

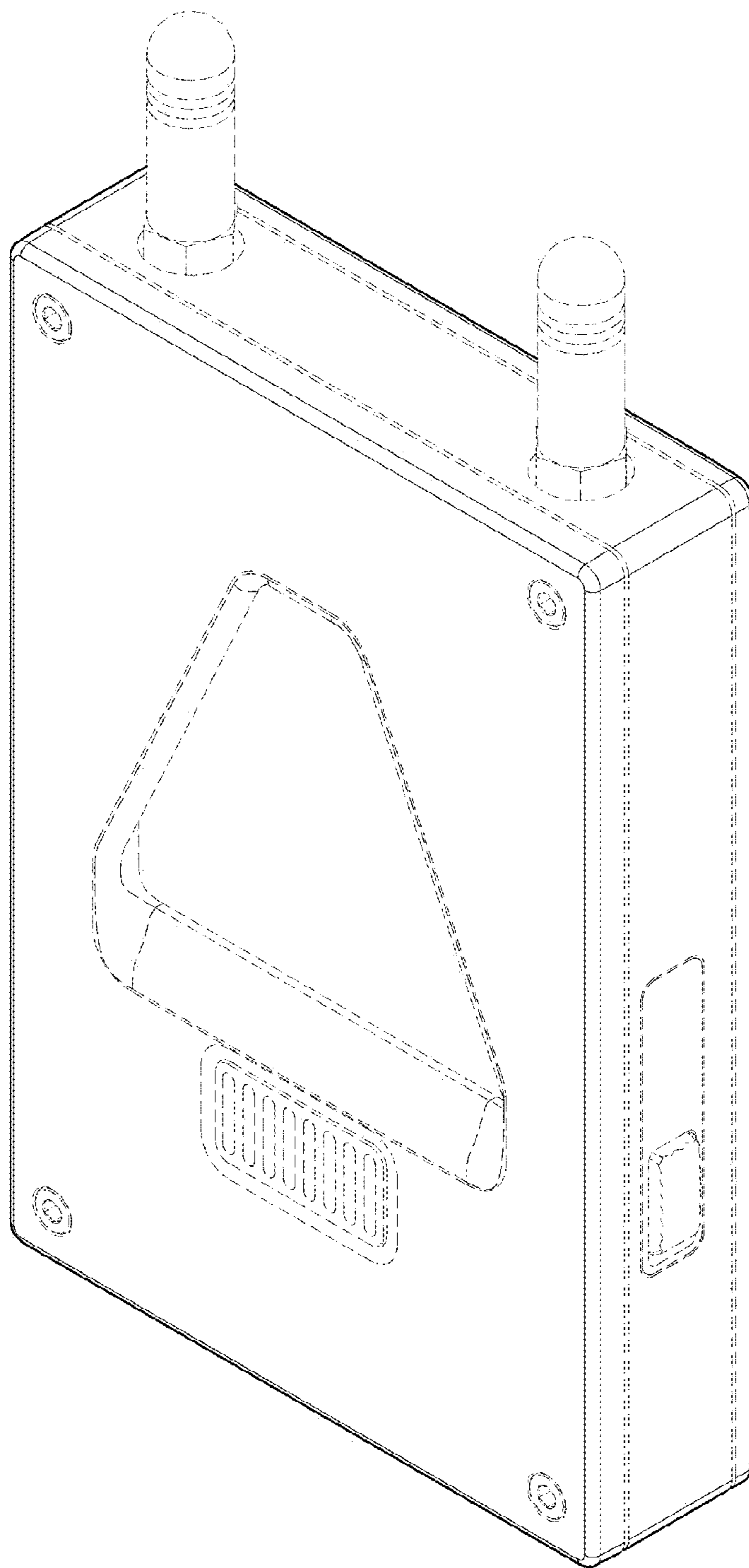


FIG. 10

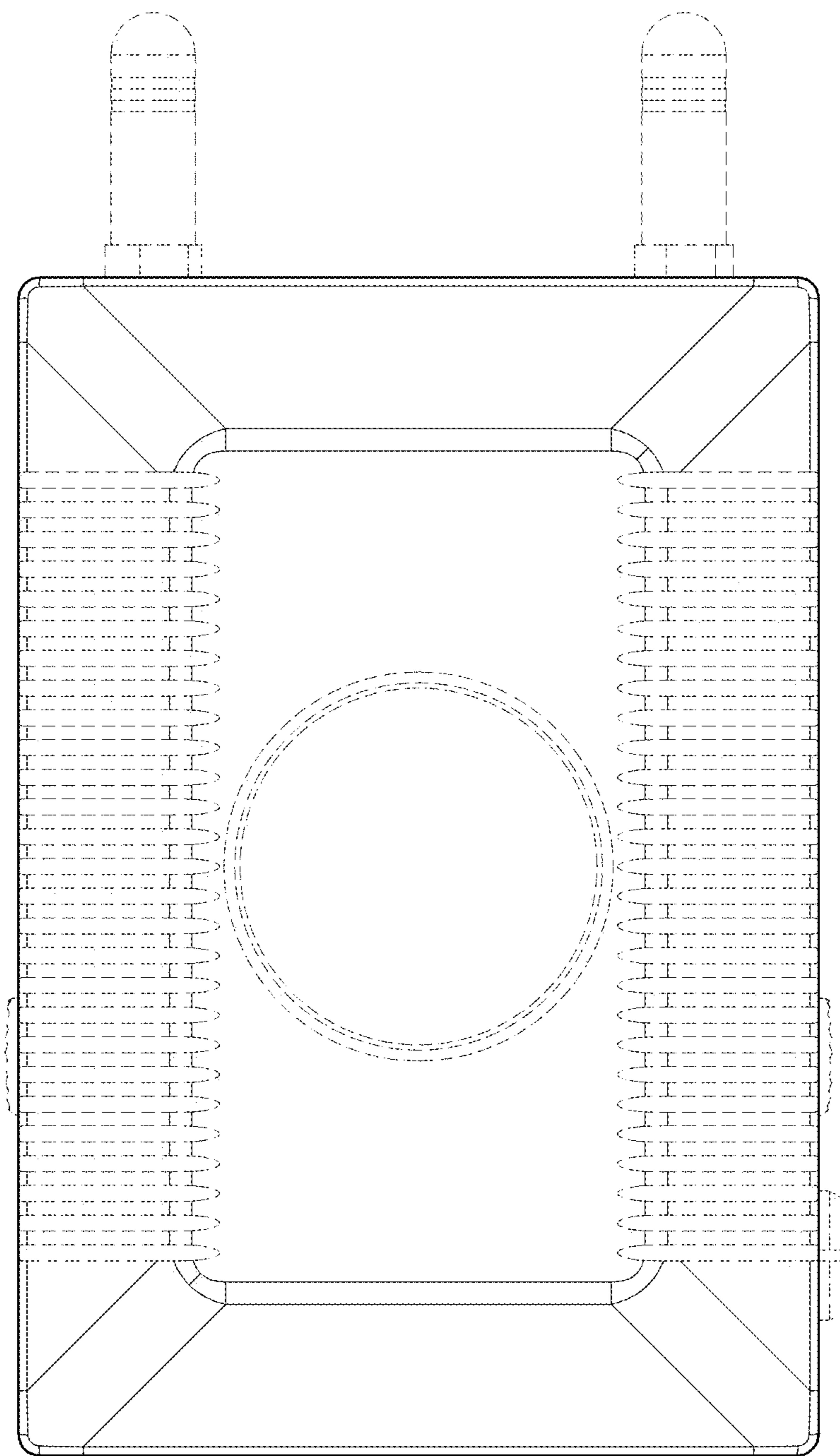


FIG. 11

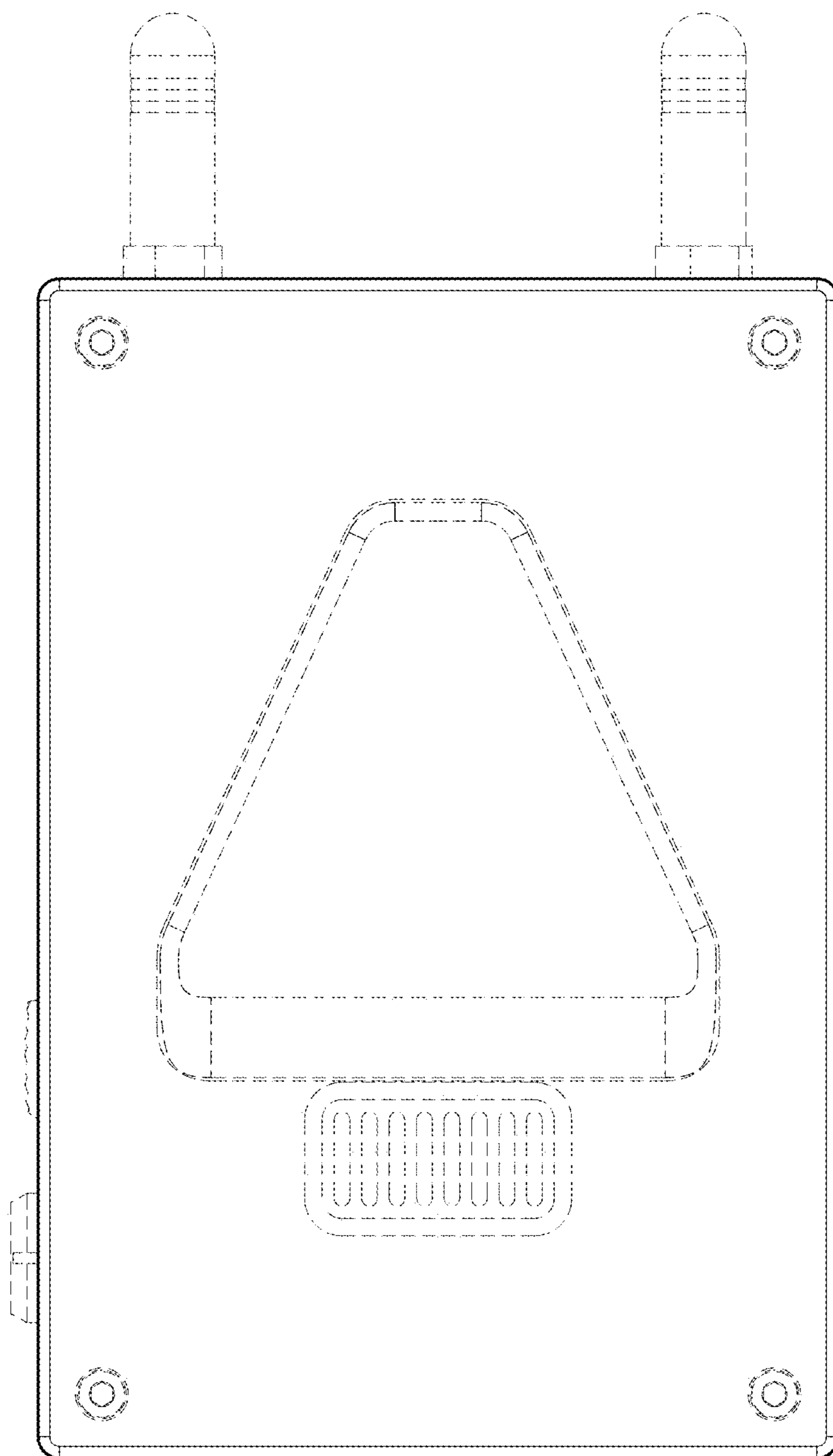


FIG. 12

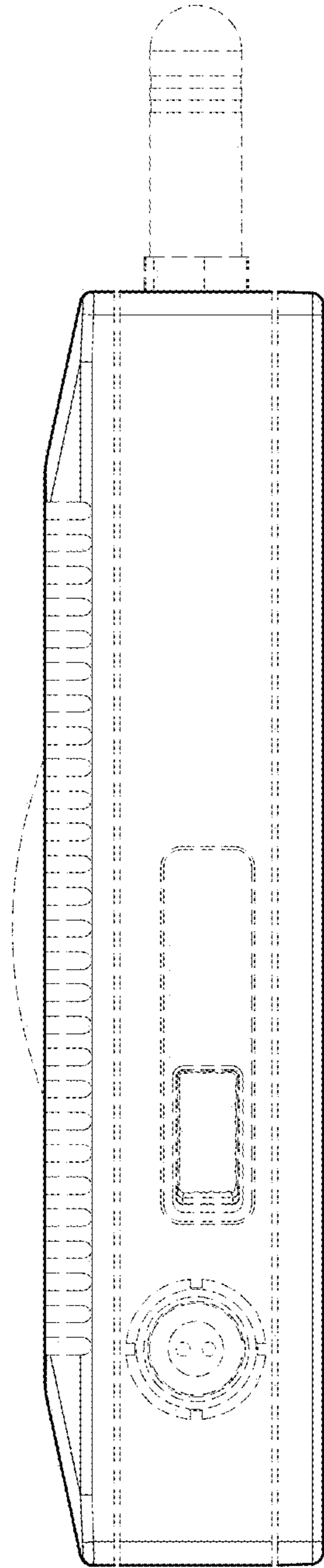


FIG. 13

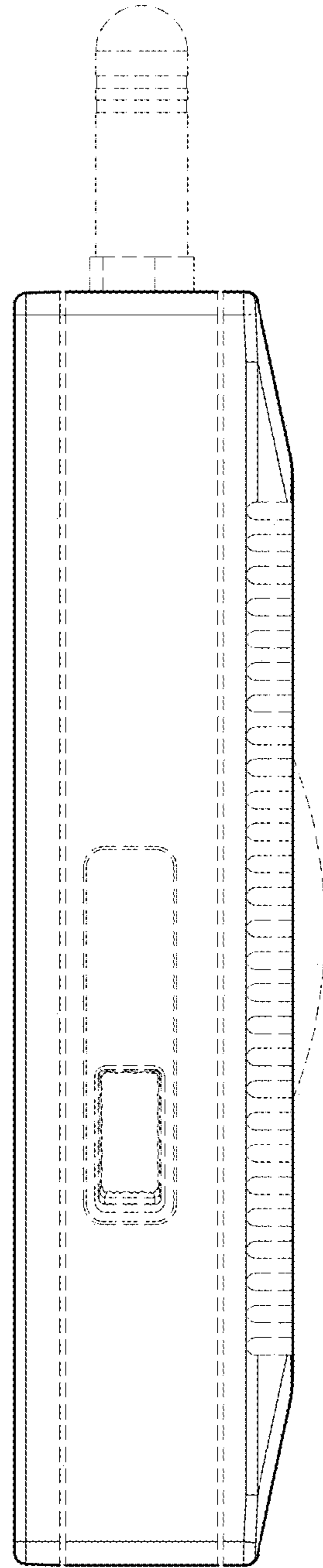
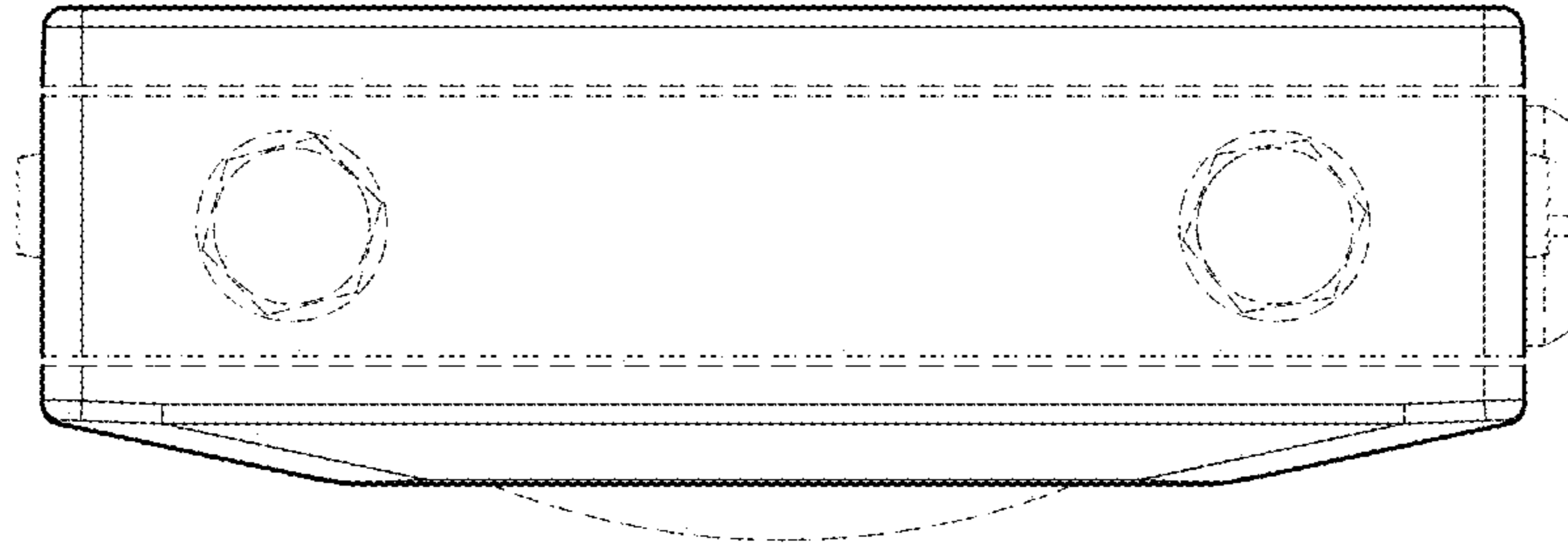
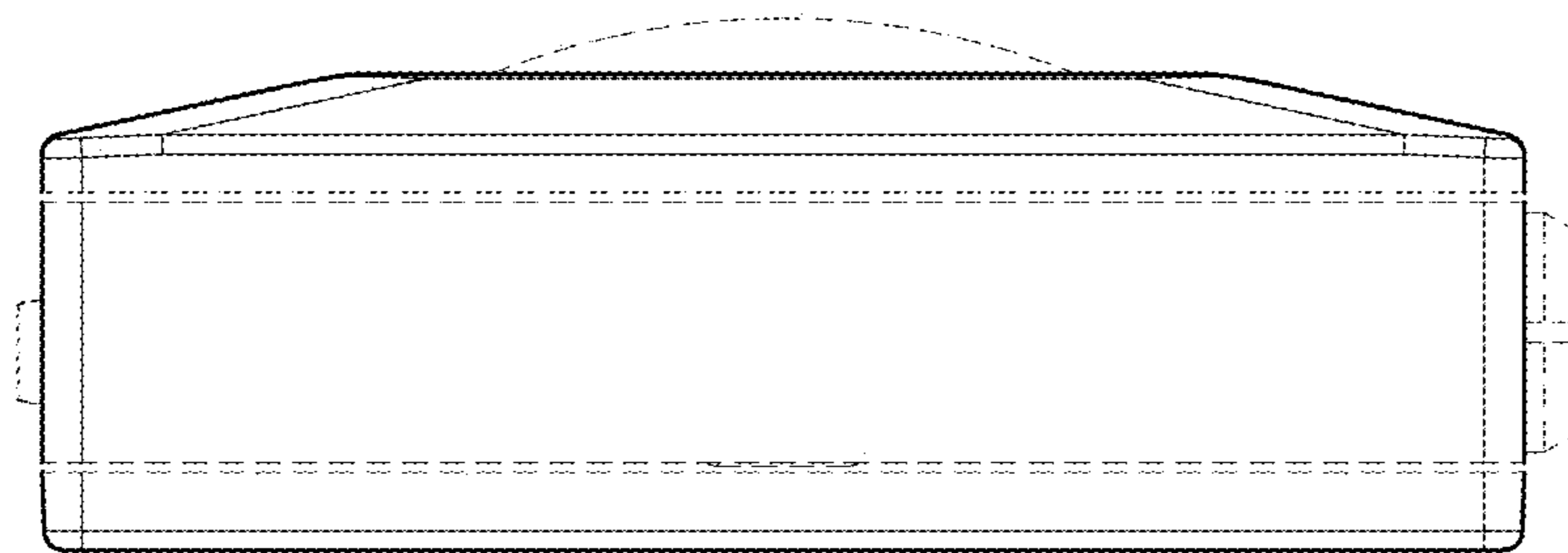


FIG. 14



*FIG. 15*



*FIG. 16*