



US00D749664S

(12) **United States Design Patent**
Kamei

(10) **Patent No.:** **US D749,664 S**

(45) **Date of Patent:** **** Feb. 16, 2016**

(54) **DIGITAL CAMERA**

(71) Applicant: **FUJIFILM Corporation**, Tokyo (JP)

(72) Inventor: **Keita Kamei**, Tokyo (JP)

(73) Assignee: **FUJIFILM Corporation**, Tokyo (JP)

(**) Term: **14 Years**

(21) Appl. No.: **29/512,838**

(22) Filed: **Dec. 23, 2014**

(30) **Foreign Application Priority Data**

Jun. 23, 2014 (JP) 2014-013588

(51) **LOC (10) Cl.** **16-05**

(52) **U.S. Cl.**
USPC **D16/219**

(58) **Field of Classification Search**
USPC D16/200, 202–205, 208, 209, 218, 219;
348/373–376; 396/535, 538–541
CPC G03B 17/02; G03B 19/04; G03B 17/56;
G03B 17/04; G03B 15/03; G03B 15/05;
H04N 5/2251; H04N 5/2252; H04N 5/2253;
H04N 5/2254; H04N 2007/145; H04N 7/141;
H04N 7/142; H04N 7/147; H04N 7/148;
H04N 7/15; H04N 7/152
See application file for complete search history.

(56) **References Cited**

U.S. PATENT DOCUMENTS

7,804,541 B2 * 9/2010 Ogino H04N 5/2251
348/373
D647,552 S * 10/2011 Ogasawara D16/202

D649,997 S * 12/2011 Imai D16/202
D681,710 S * 5/2013 Sato D16/200
D697,960 S * 1/2014 Sato D16/200
D698,839 S * 2/2014 Sato D16/200
D706,329 S * 6/2014 Sakai D16/202
D710,425 S * 8/2014 Sato D16/200
D712,953 S * 9/2014 Nohara D16/200
D719,993 S * 12/2014 Soejima D16/202
D727,990 S * 4/2015 Sakai D16/202
D734,802 S * 7/2015 Osada D16/202
2011/0109790 A1 * 5/2011 Shinohara H04N 5/2252
348/373

* cited by examiner

Primary Examiner — Adir Aronovich

Assistant Examiner — Ramzi Almatrahi

(74) *Attorney, Agent, or Firm* — Young & Thompson

(57) **CLAIM**

The ornamental design for a digital camera, as shown and described.

DESCRIPTION

FIG. 1 is a top, front and left side perspective view of a digital camera showing my new design;
FIG. 2 is a top, rear and left side perspective view thereof;
FIG. 3 is a front elevational view thereof;
FIG. 4 is a rear elevational view thereof;
FIG. 5 is a top plan view thereof;
FIG. 6 is a bottom plan view thereof;
FIG. 7 is a left side elevational view thereof; and,
FIG. 8 is a right side elevational view thereof.
The broken line portions of the digital camera throughout the drawings are shown to illustrate environment only and form no part of the claimed design.

1 Claim, 8 Drawing Sheets

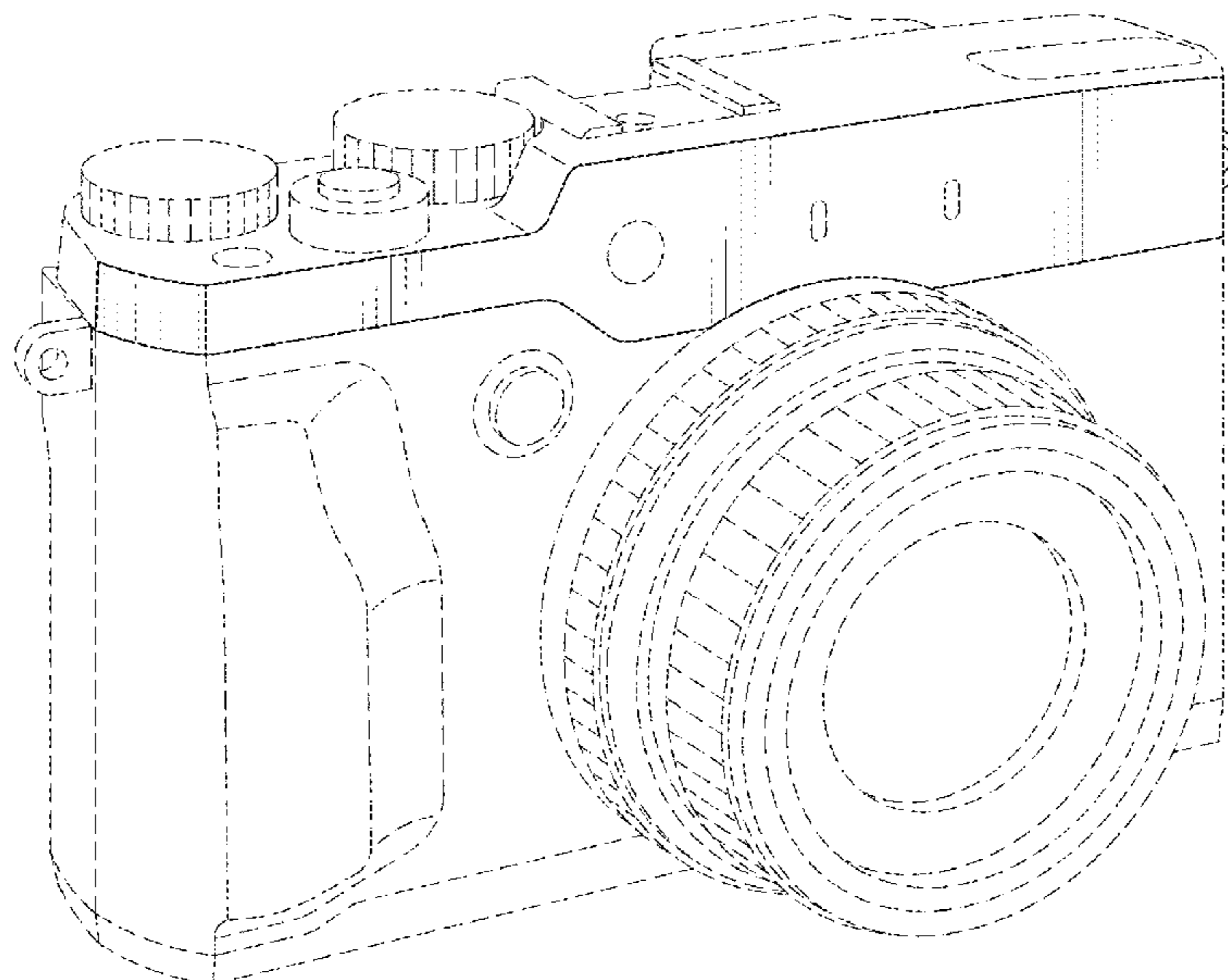


FIG. 1

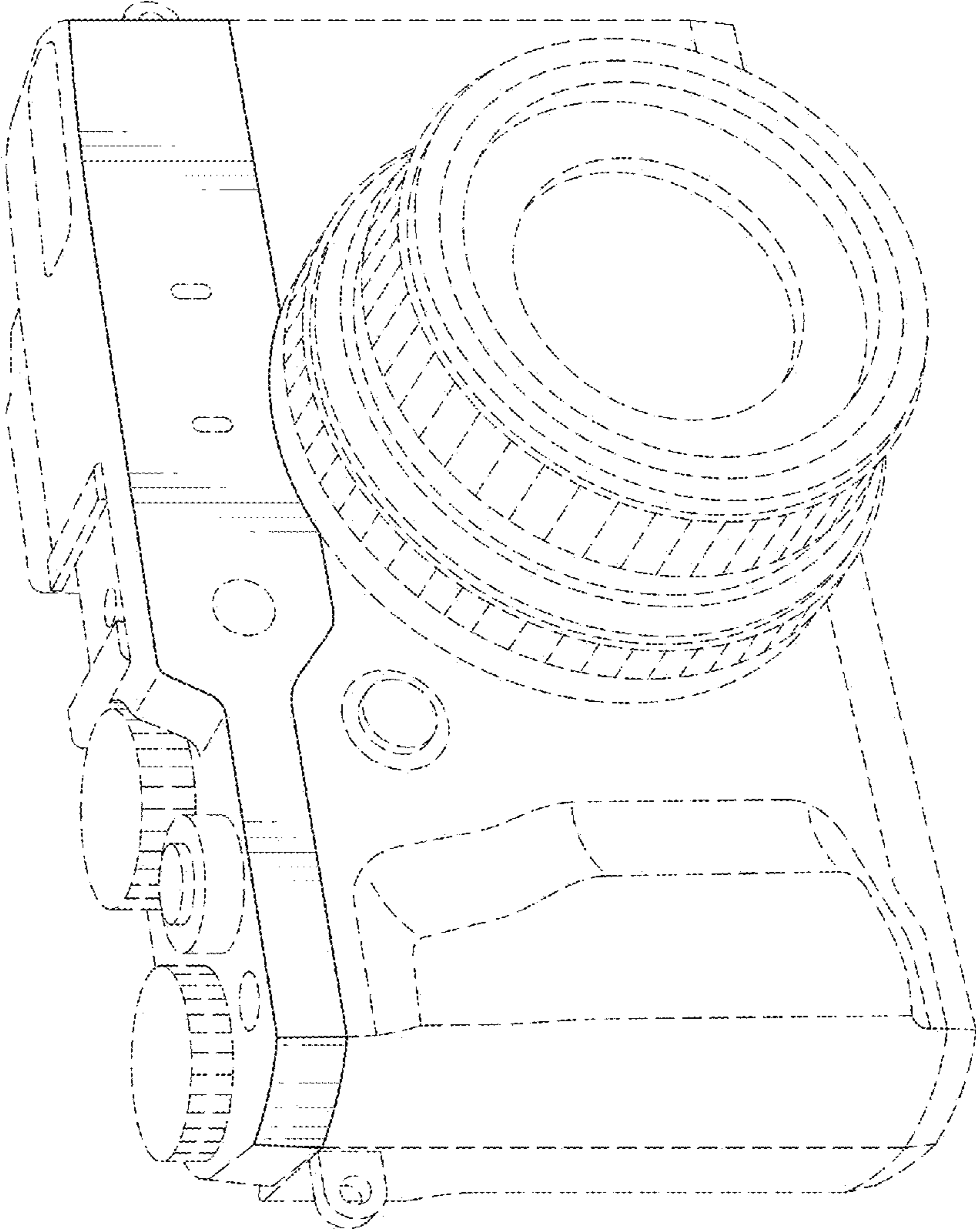


FIG. 2

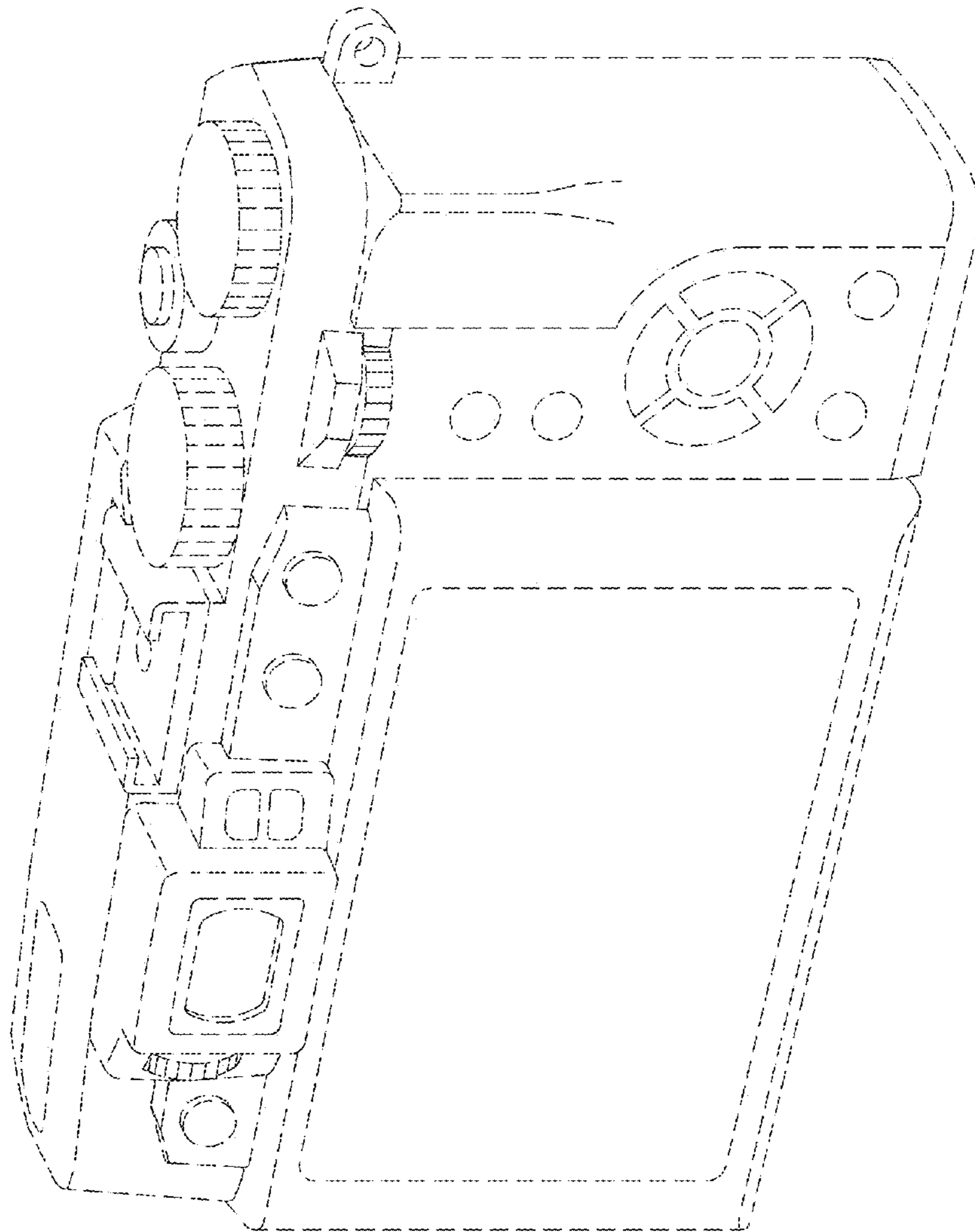


FIG. 3

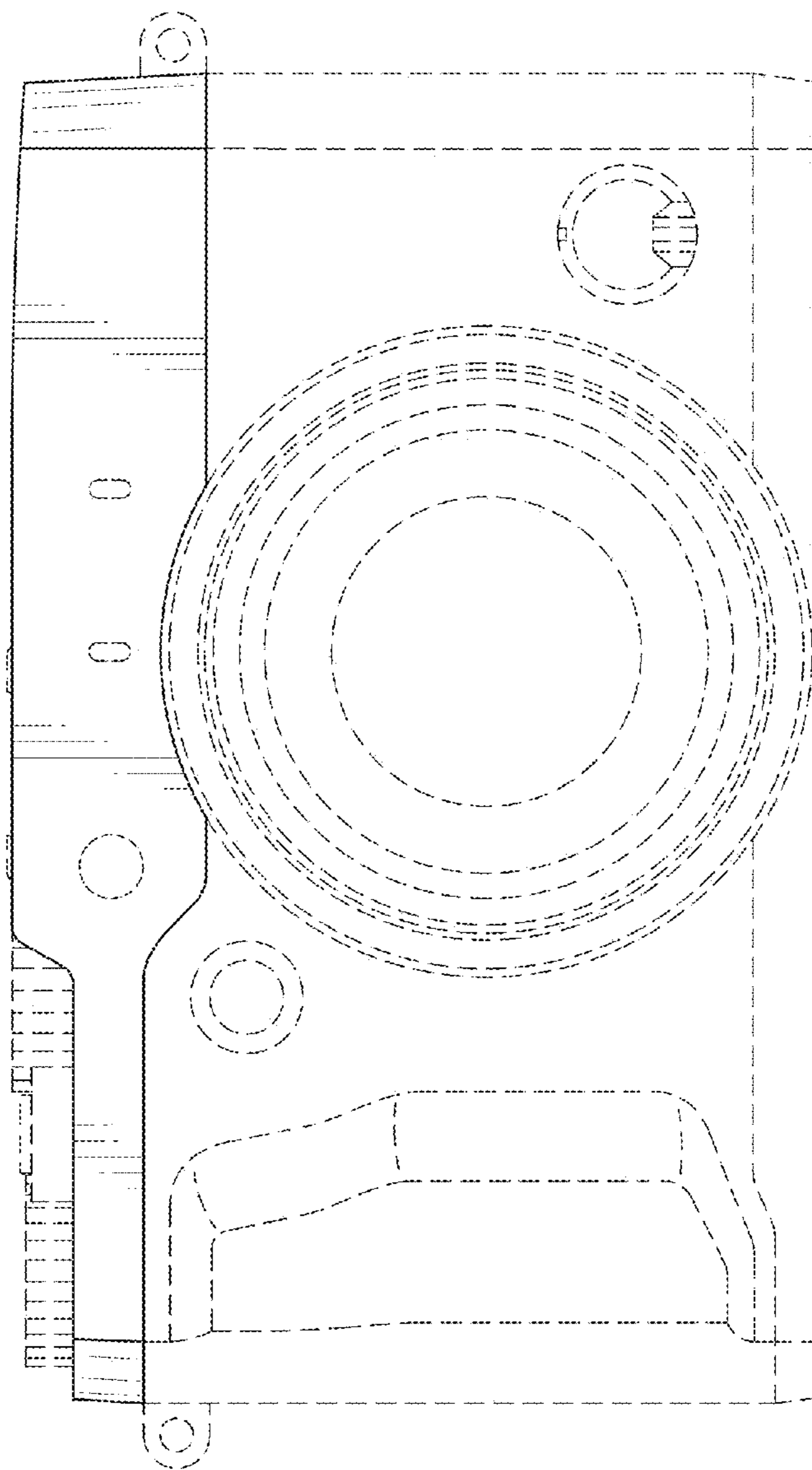


FIG. 4

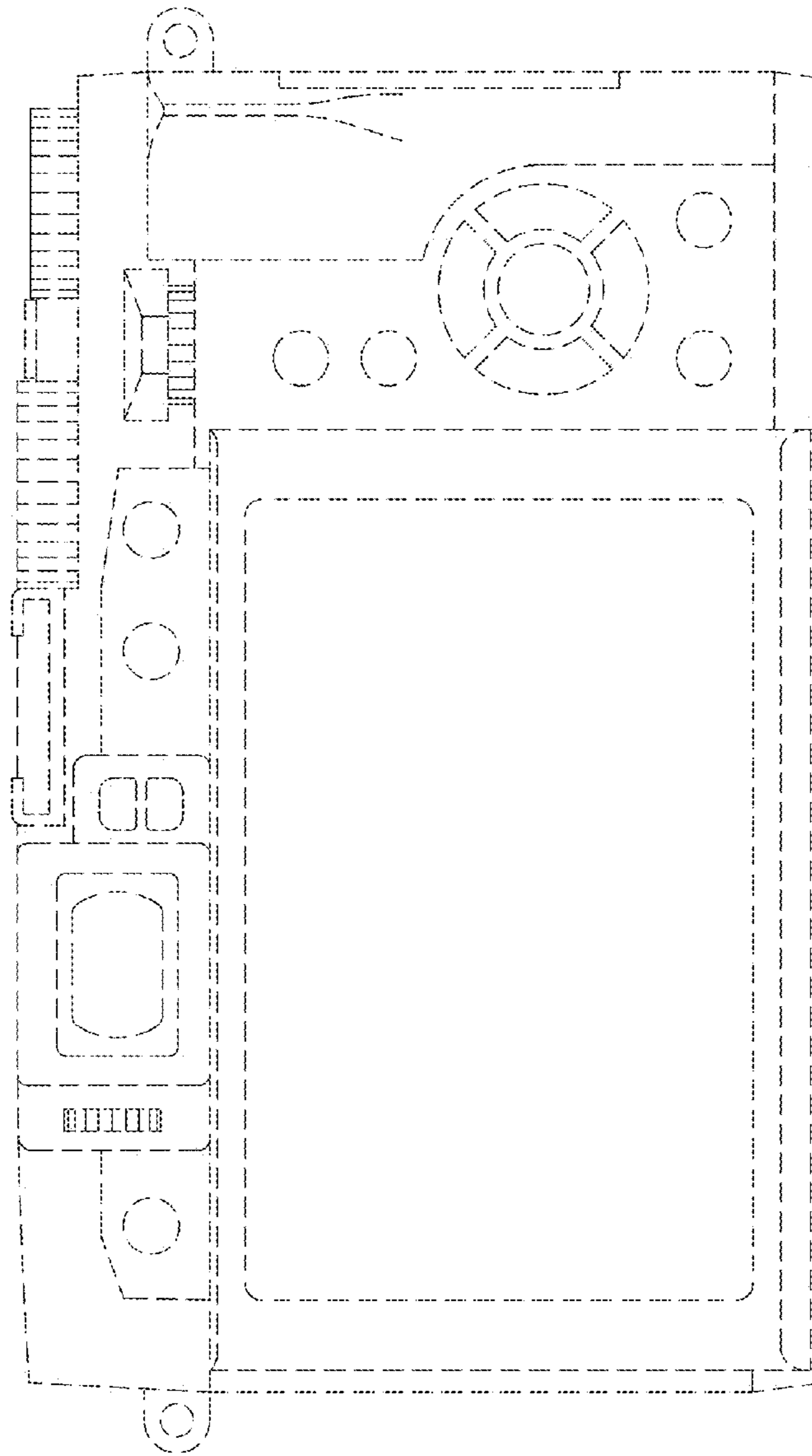


FIG. 5

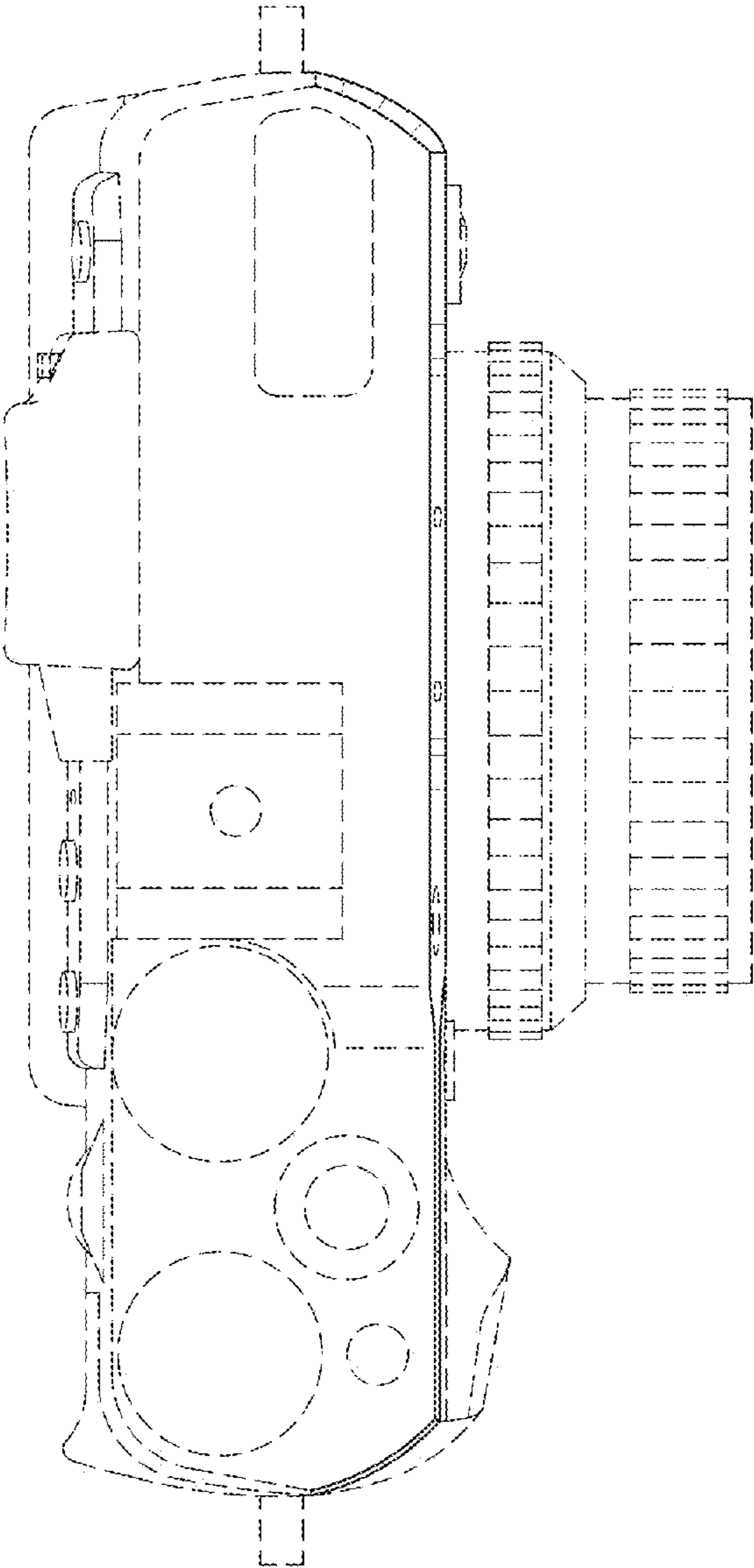


FIG. 6

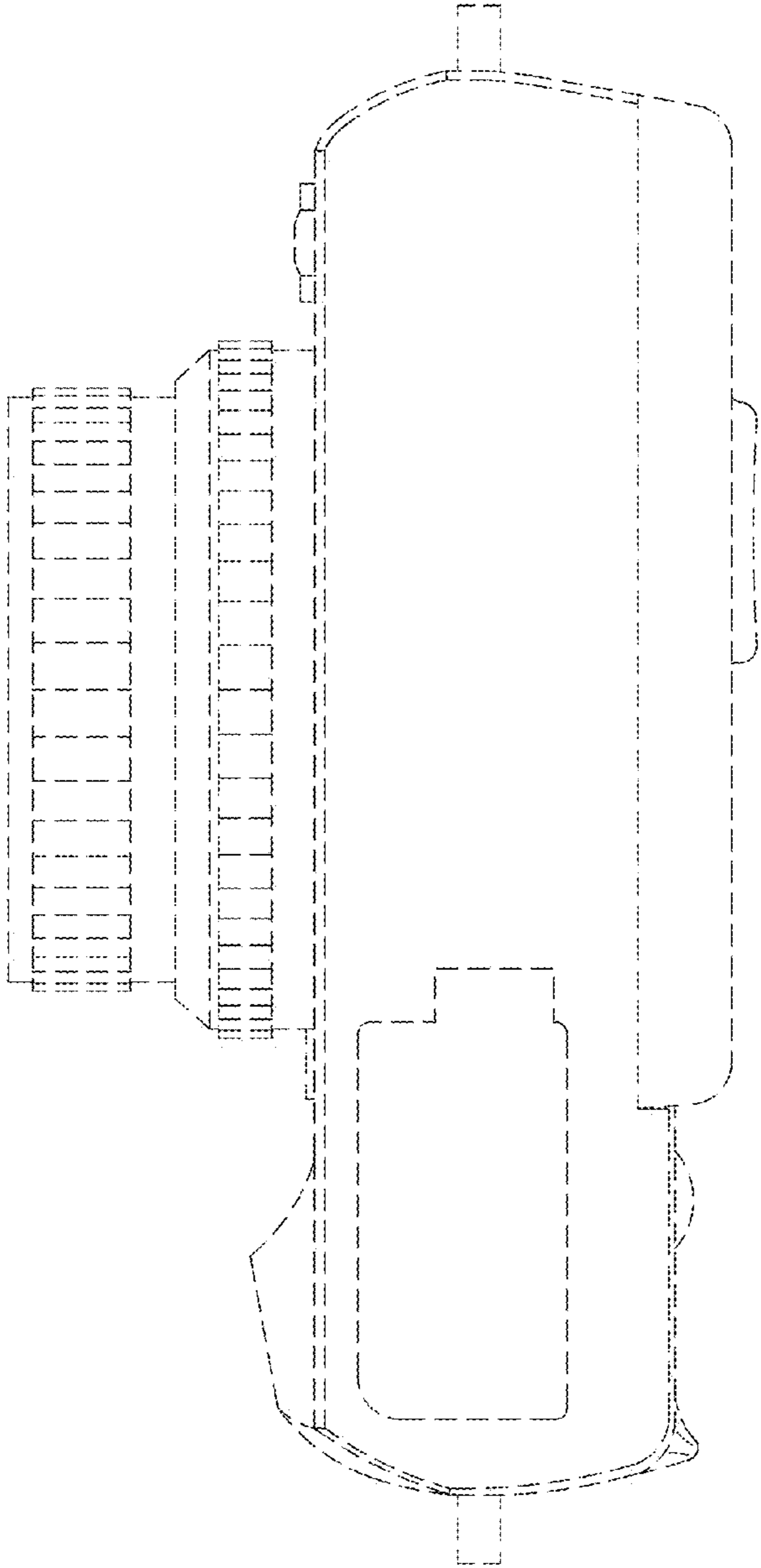


FIG. 7

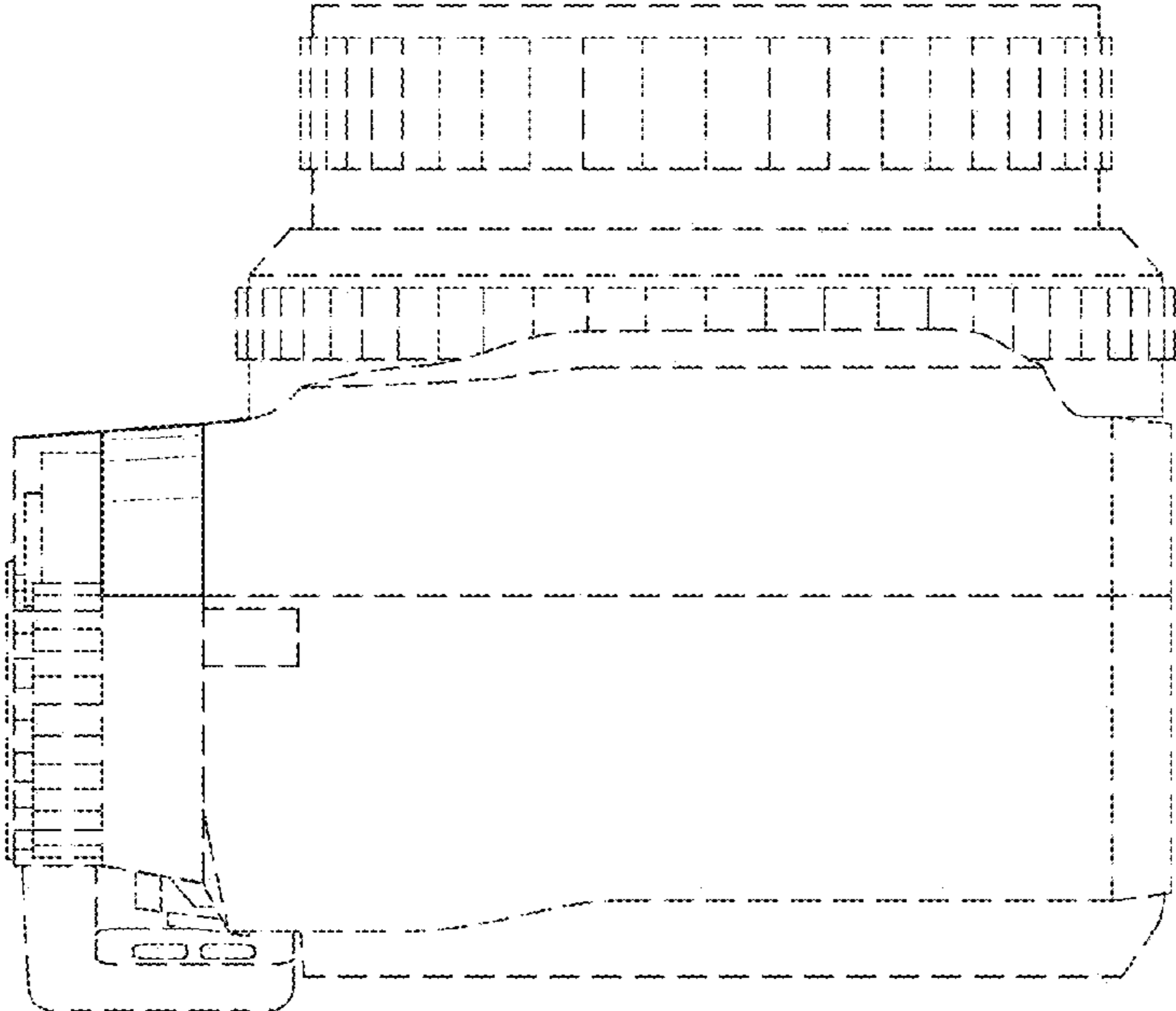


FIG. 8

