



US00D749662S

(12) **United States Design Patent**
Chen

(10) **Patent No.:** **US D749,662 S**

(45) **Date of Patent:** **** Feb. 16, 2016**

(54) **SURVEILLANCE CAMERA**

(71) Applicant: **VIVOTEK INC.**, New Taipei (TW)

(72) Inventor: **Ching-Ching Chen**, New Taipei (TW)

(73) Assignee: **VIVOTEK INC.**, New Taipei (TW)

(**) Term: **14 Years**

(21) Appl. No.: **29/496,725**

(22) Filed: **Jul. 16, 2014**

(30) **Foreign Application Priority Data**

Jan. 17, 2014 (TW) 103300300

(51) **LOC (10) Cl.** **16-05**

(52) **U.S. Cl.**
USPC **D16/219**; D16/203

(58) **Field of Classification Search**
USPC D16/200, 202–206, 218, 219, 242;
348/143, 148, 151, 373–376; 396/419,
396/427, 535, 539–541
CPC G03B 17/02; G03B 19/04; G03B 17/56;
G03B 17/04; G03B 15/03; H04N 5/2251;
H04N 5/2252; H04N 5/2253; H04N 5/2254;
H04N 7/181; H04N 7/183; H04N 7/18;
G08B 13/1963; G08B 13/19619; G08B
13/19632; F16M 11/04; F16M 13/00
See application file for complete search history.

(56) **References Cited**

U.S. PATENT DOCUMENTS

- D399,517 S * 10/1998 Hasegawa D16/203
- D473,888 S * 4/2003 Jones 396/427
- D547,347 S * 7/2007 Kim D16/202
- D626,984 S * 11/2010 Miyaji D16/202
- D653,687 S * 2/2012 Yu D16/200
- D676,477 S * 2/2013 Chen D16/202

- D719,208 S * 12/2014 Mohan D16/203
- D722,635 S * 2/2015 Richardson D16/203
- 2013/0287385 A1 * 10/2013 Andersson H04N 5/2252
396/427

* cited by examiner

Primary Examiner — Adir Aronovich

Assistant Examiner — Ramzi Almatrahi

(74) *Attorney, Agent, or Firm* — Tim Tingkang Xia; Locke Lord LLP

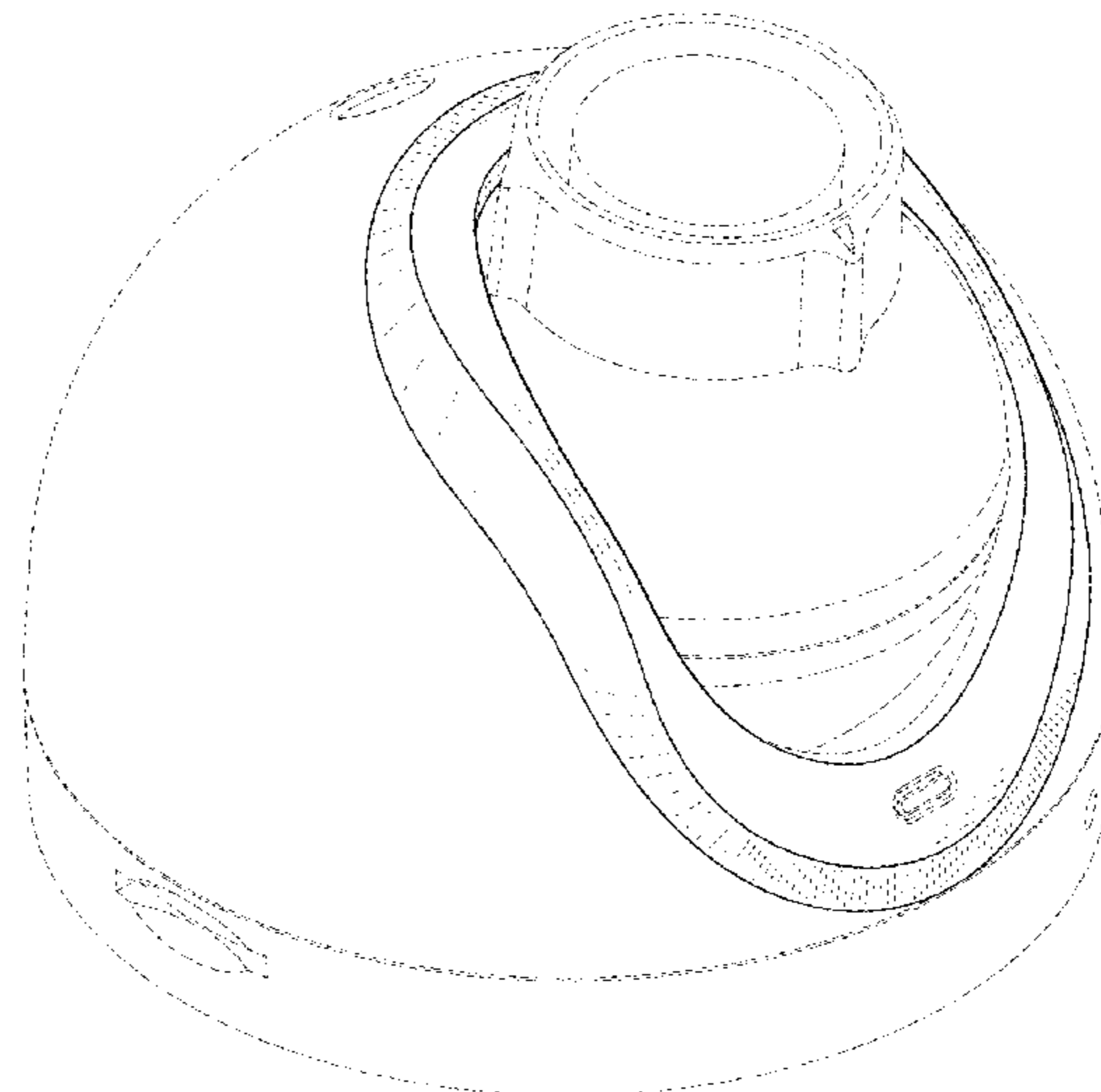
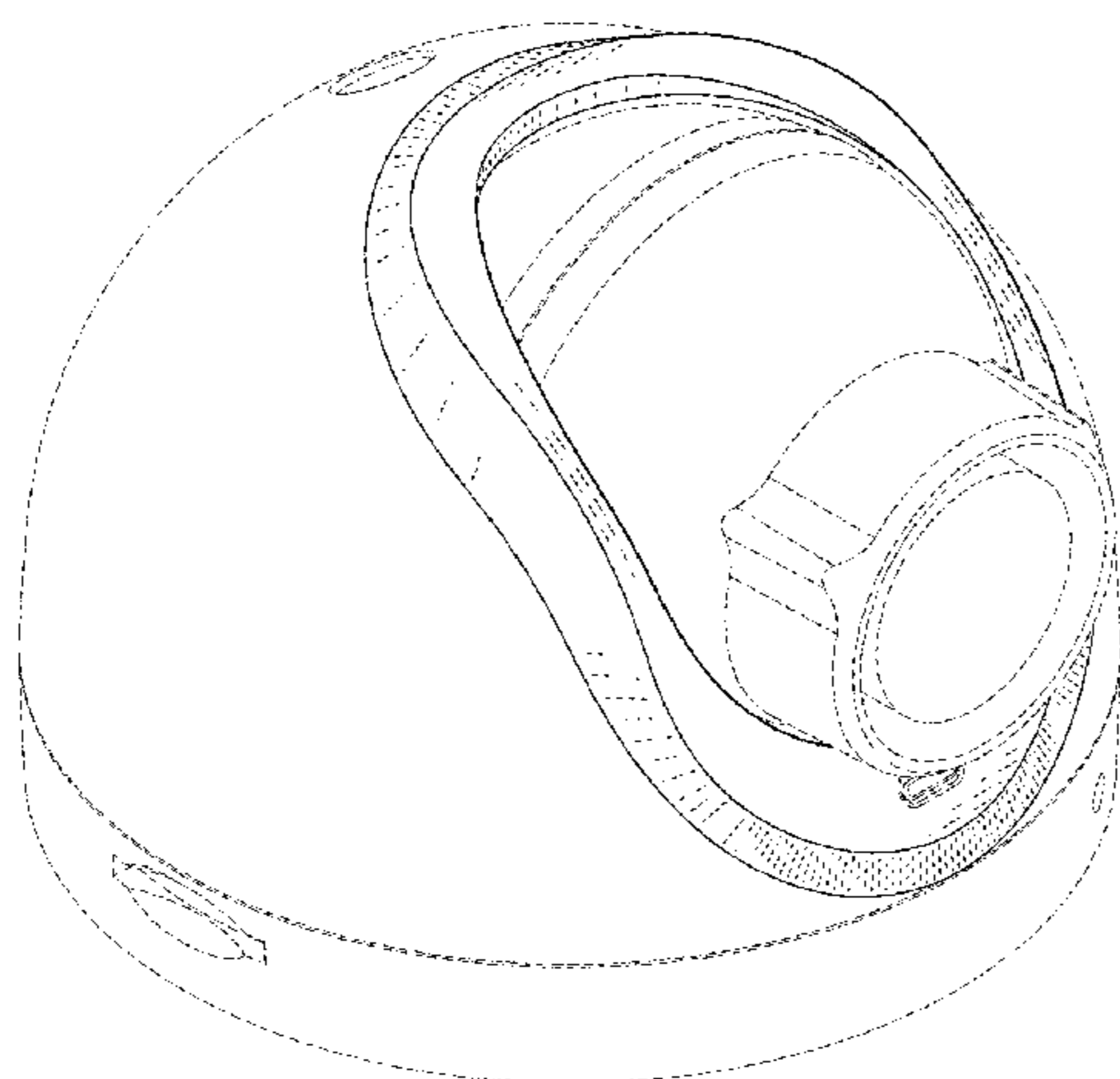
(57) **CLAIM**

The ornamental design for a “surveillance camera,” as shown and described.

DESCRIPTION

FIG. 1 is a front perspective view of a surveillance camera showing my new design;
 FIG. 2 is a front elevational view thereof;
 FIG. 3 is a rear elevational view thereof;
 FIG. 4 is a left side elevational view thereof;
 FIG. 5 is a right side elevational view thereof;
 FIG. 6 is a top plan view thereof;
 FIG. 7 is a bottom plan view thereof;
 FIG. 8 is a front perspective view thereof; shown in an alternate position with the lens portion rotated in an upward position;
 FIG. 9 is a front perspective view thereof; shown in an alternate position with the lens portion rotated towards the left side; and,
 FIG. 10 is a front perspective view thereof; shown in an alternate position with the lens portion rotated towards the right side.
 The broken lines depict portions of a surveillance camera in which the design is embodied and form no part of the claimed design.

1 Claim, 8 Drawing Sheets



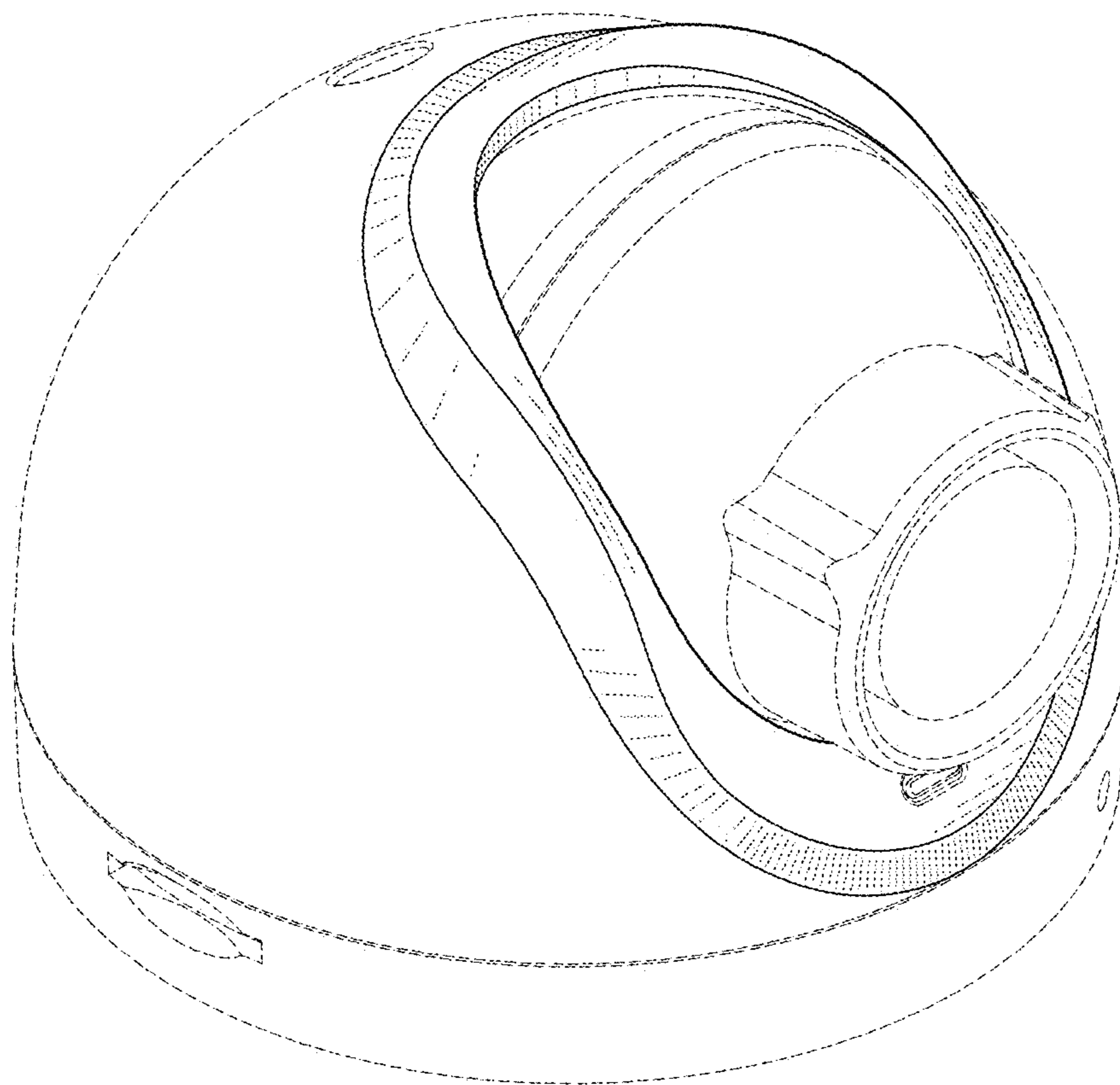


FIG. 1

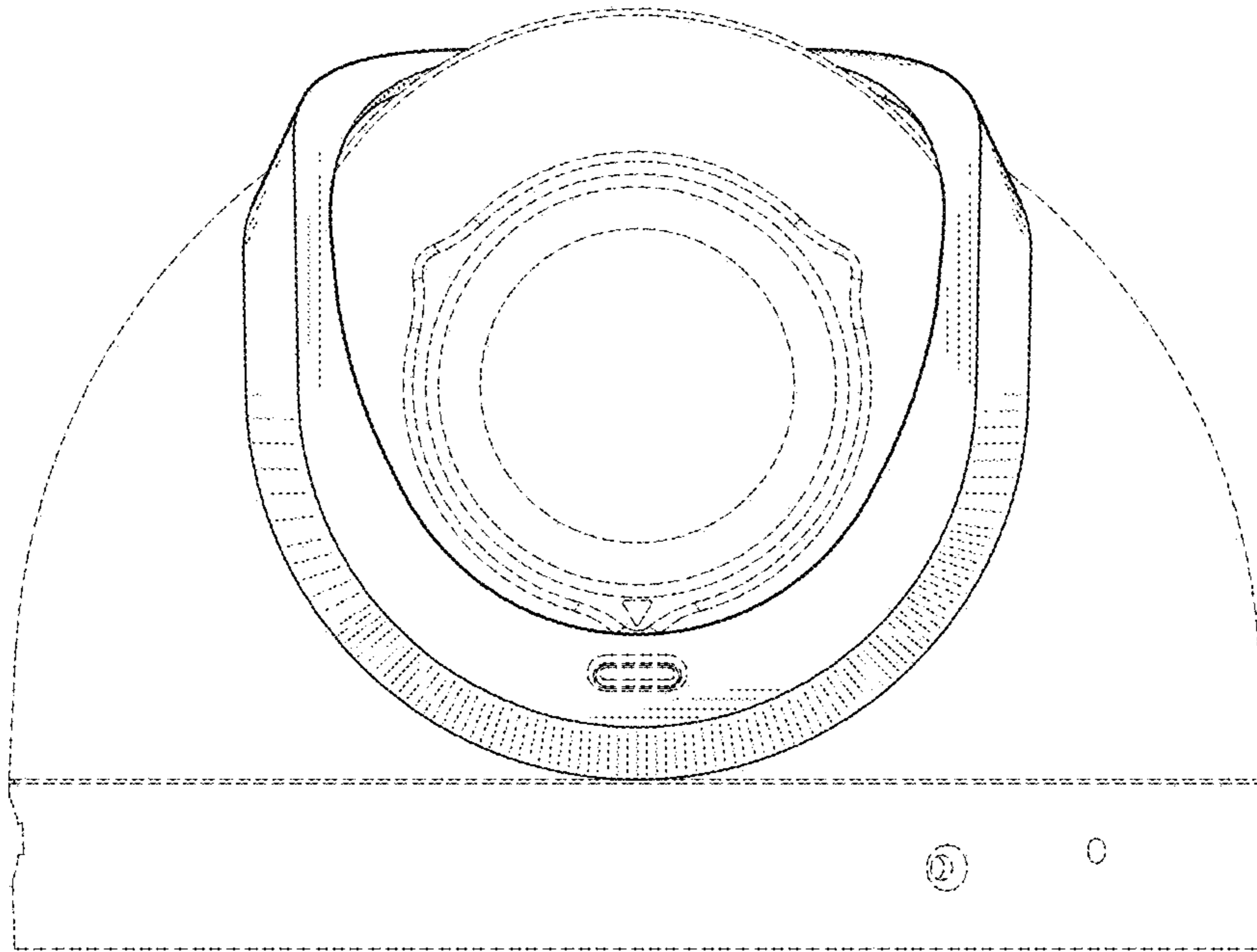


FIG. 2

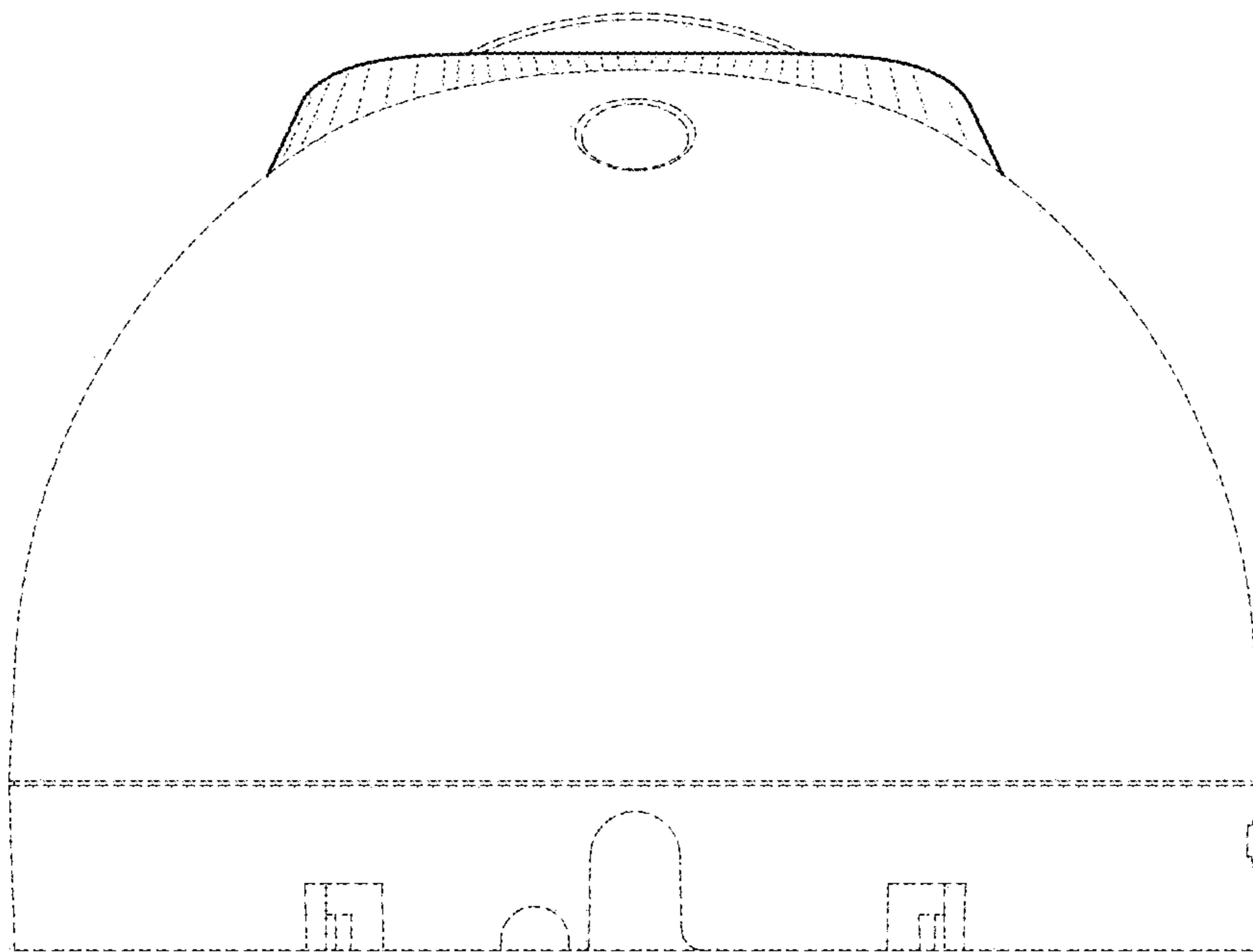


FIG. 3

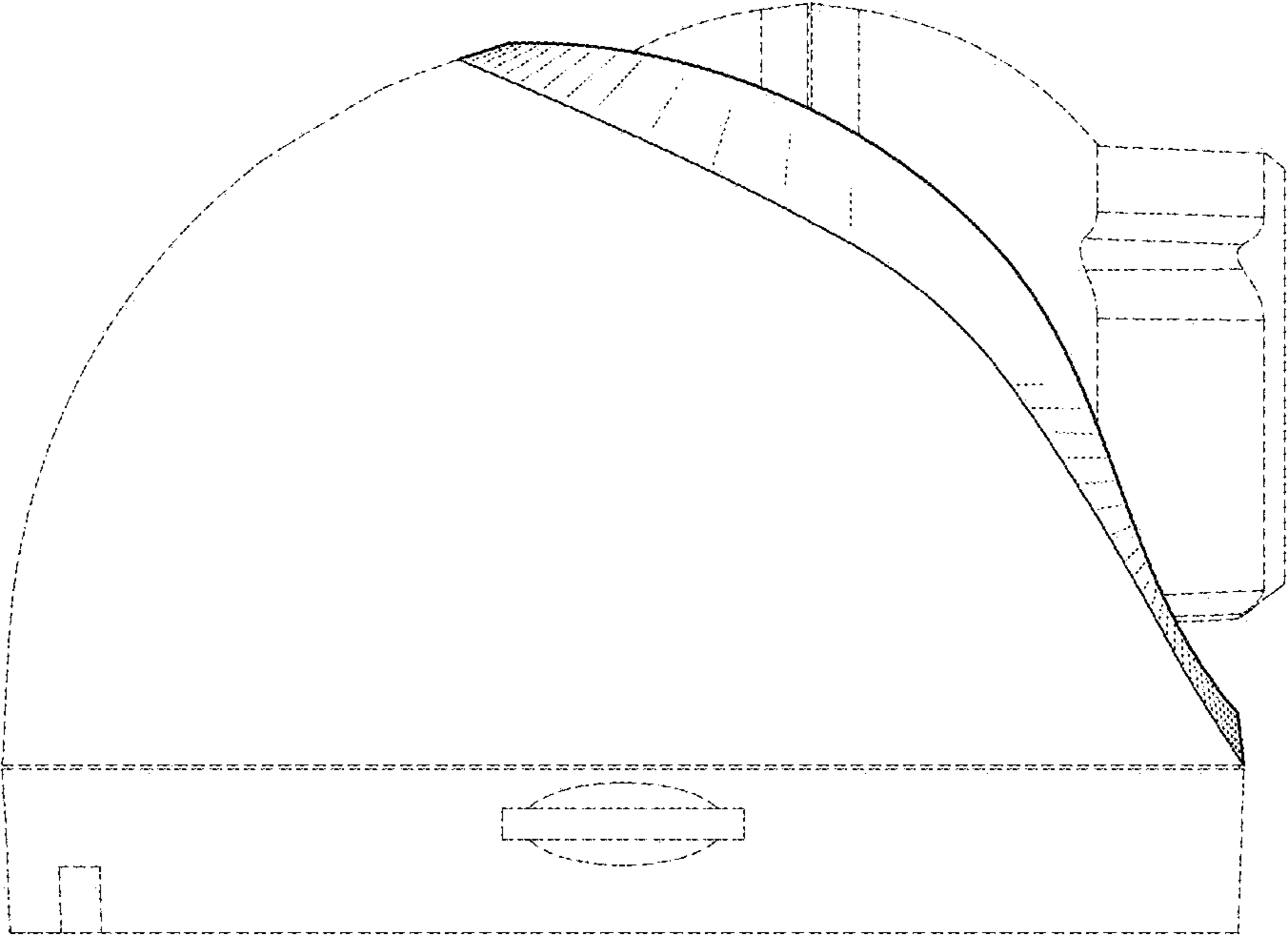


FIG. 4

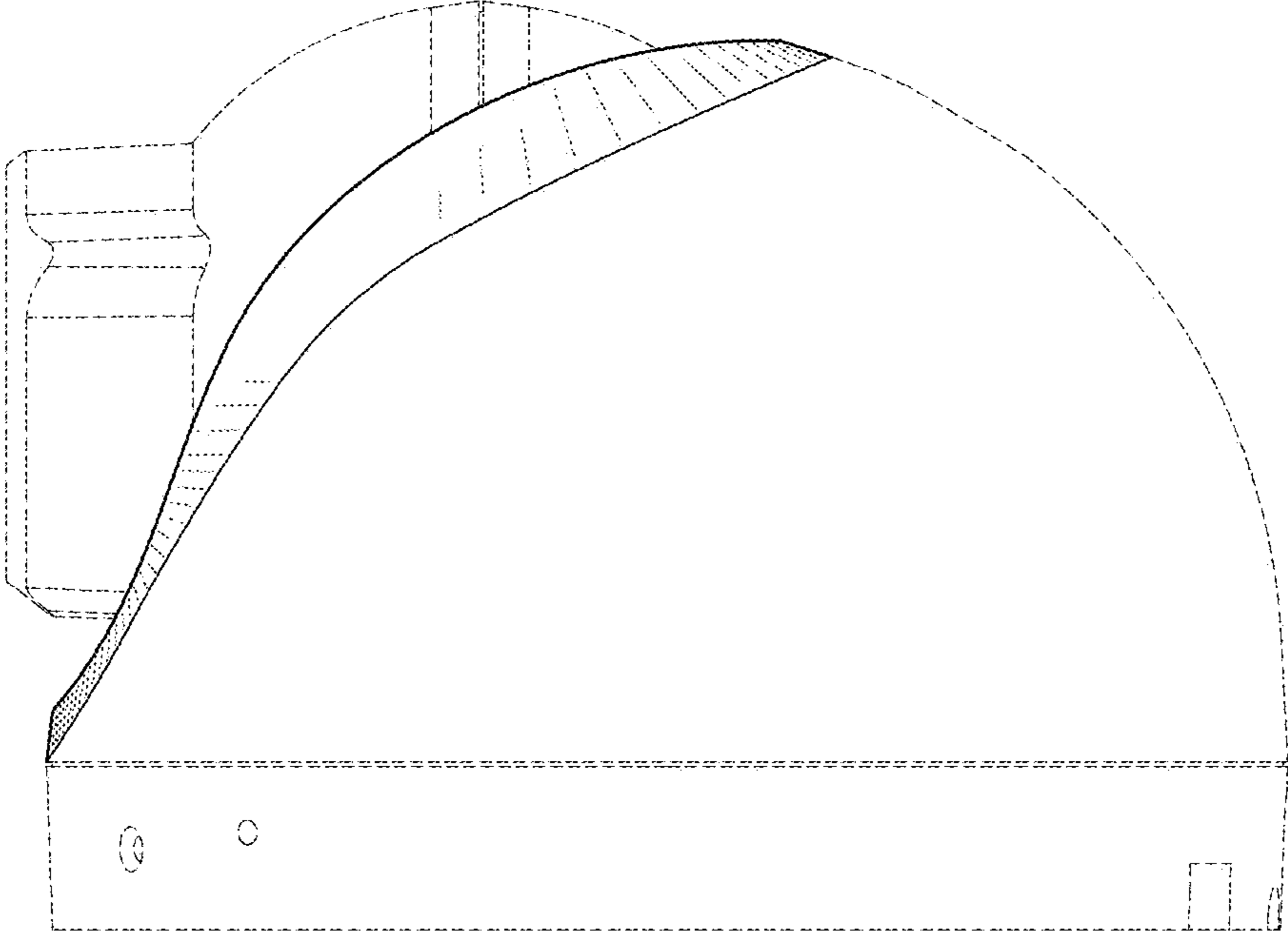


FIG. 5

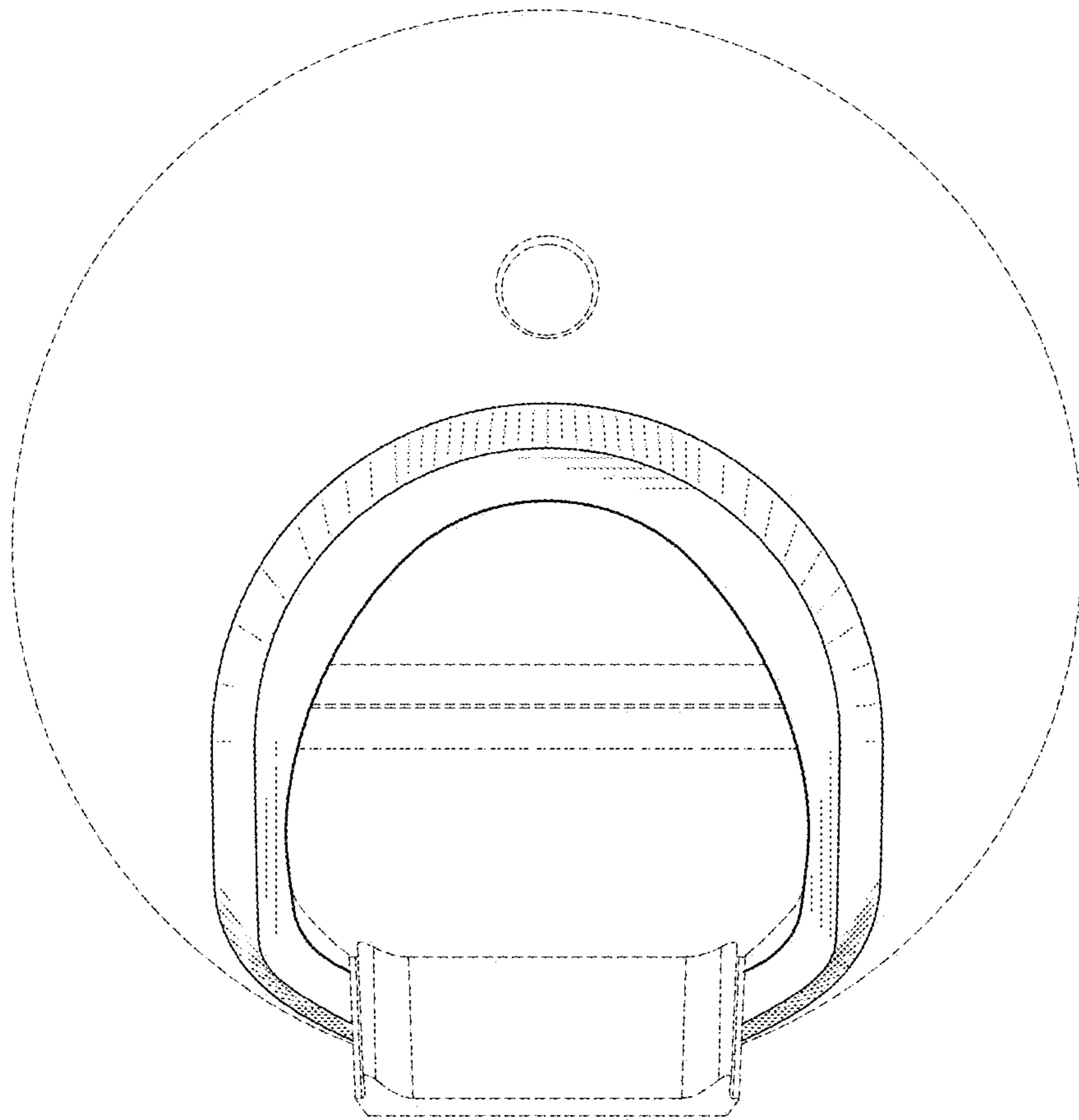


FIG. 6

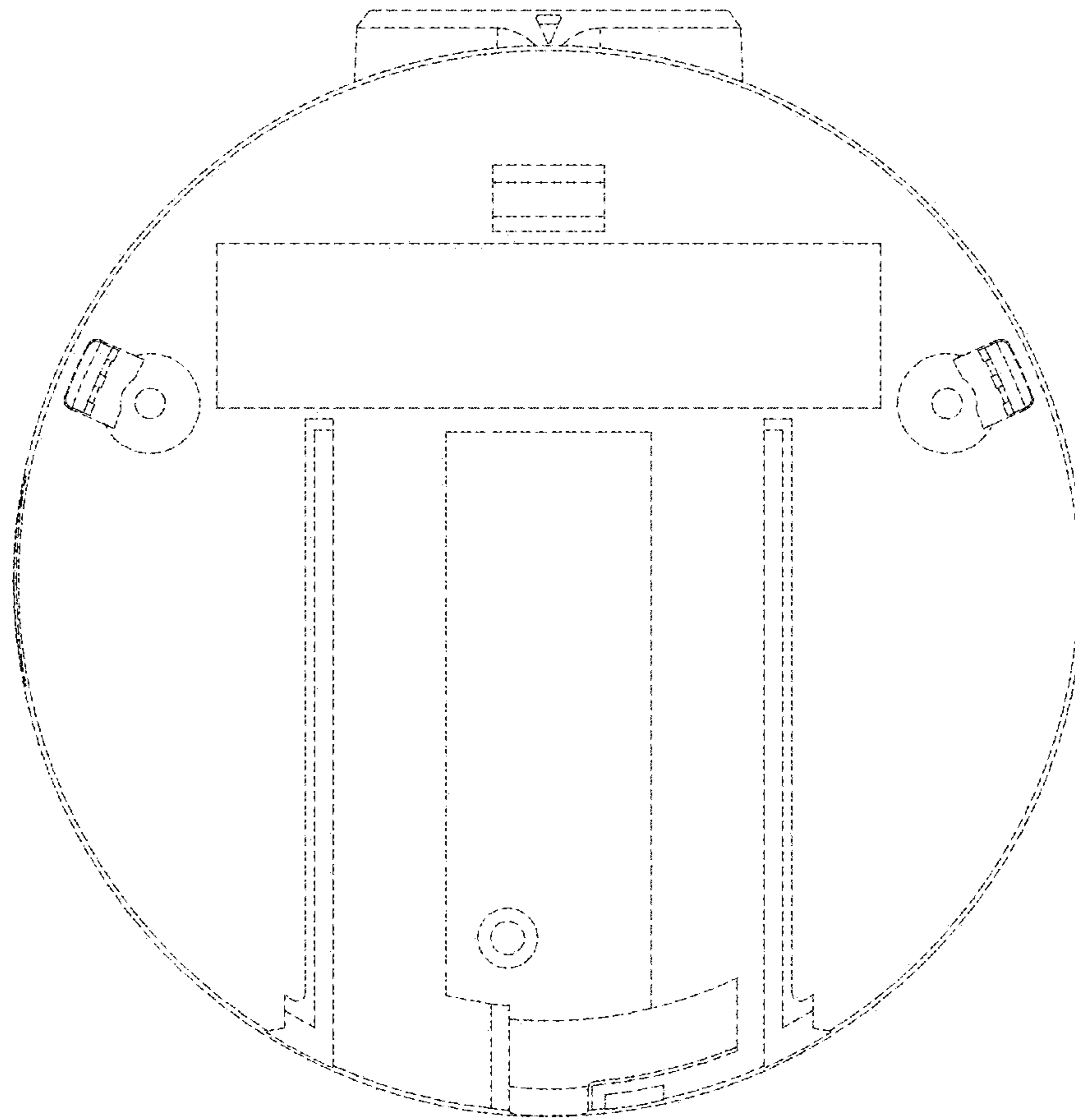


FIG. 7

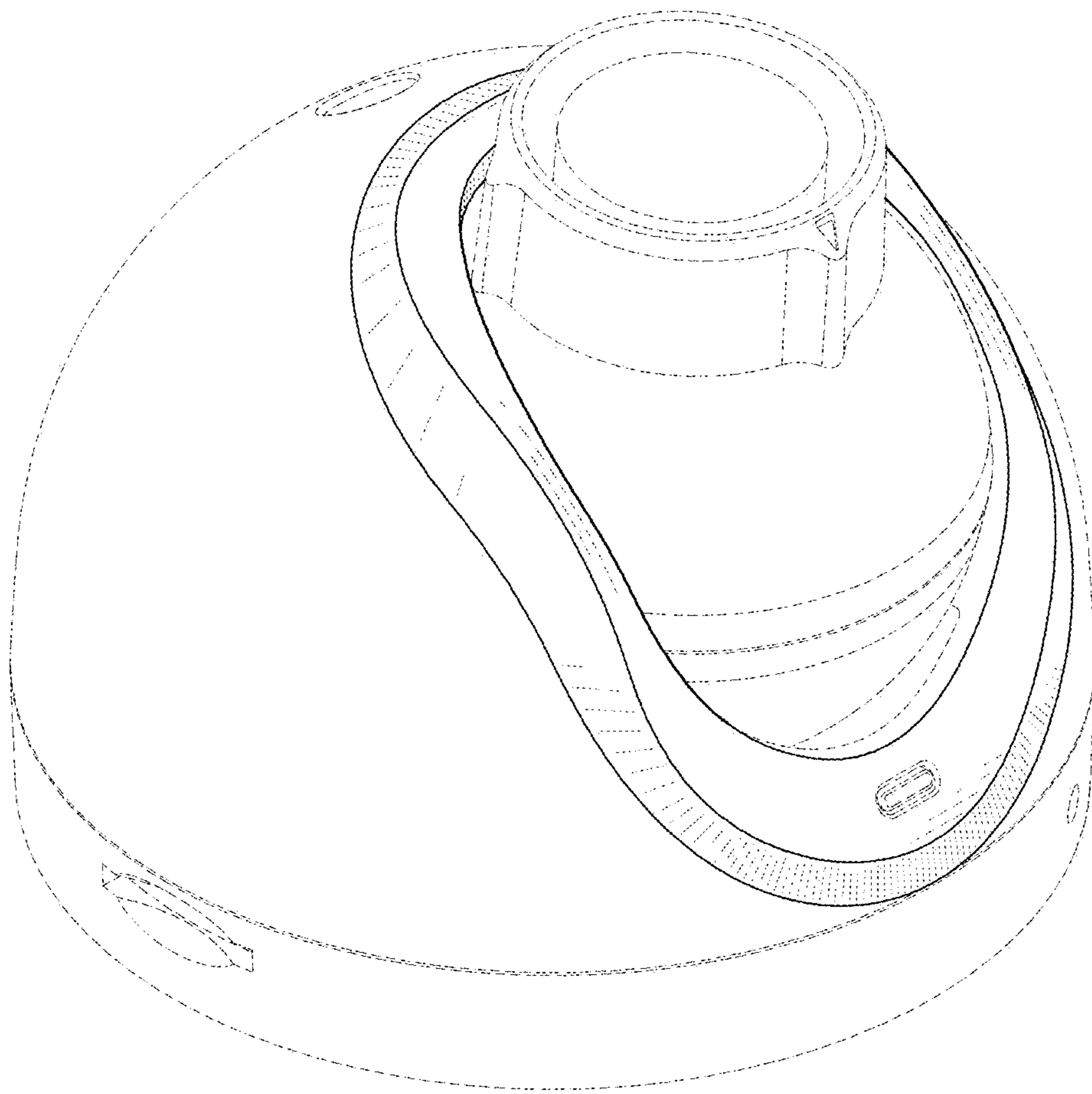


FIG. 8

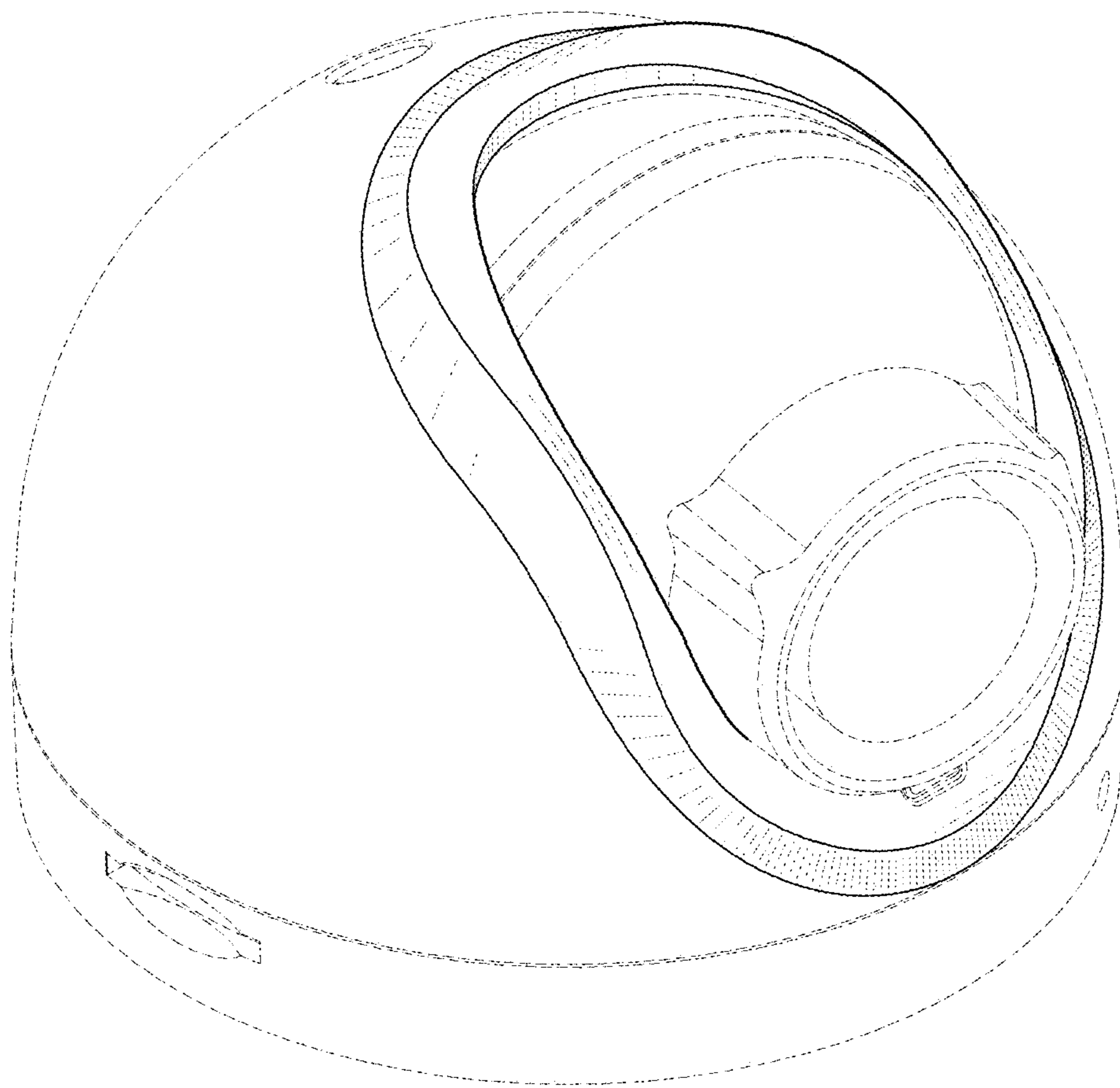


FIG.9

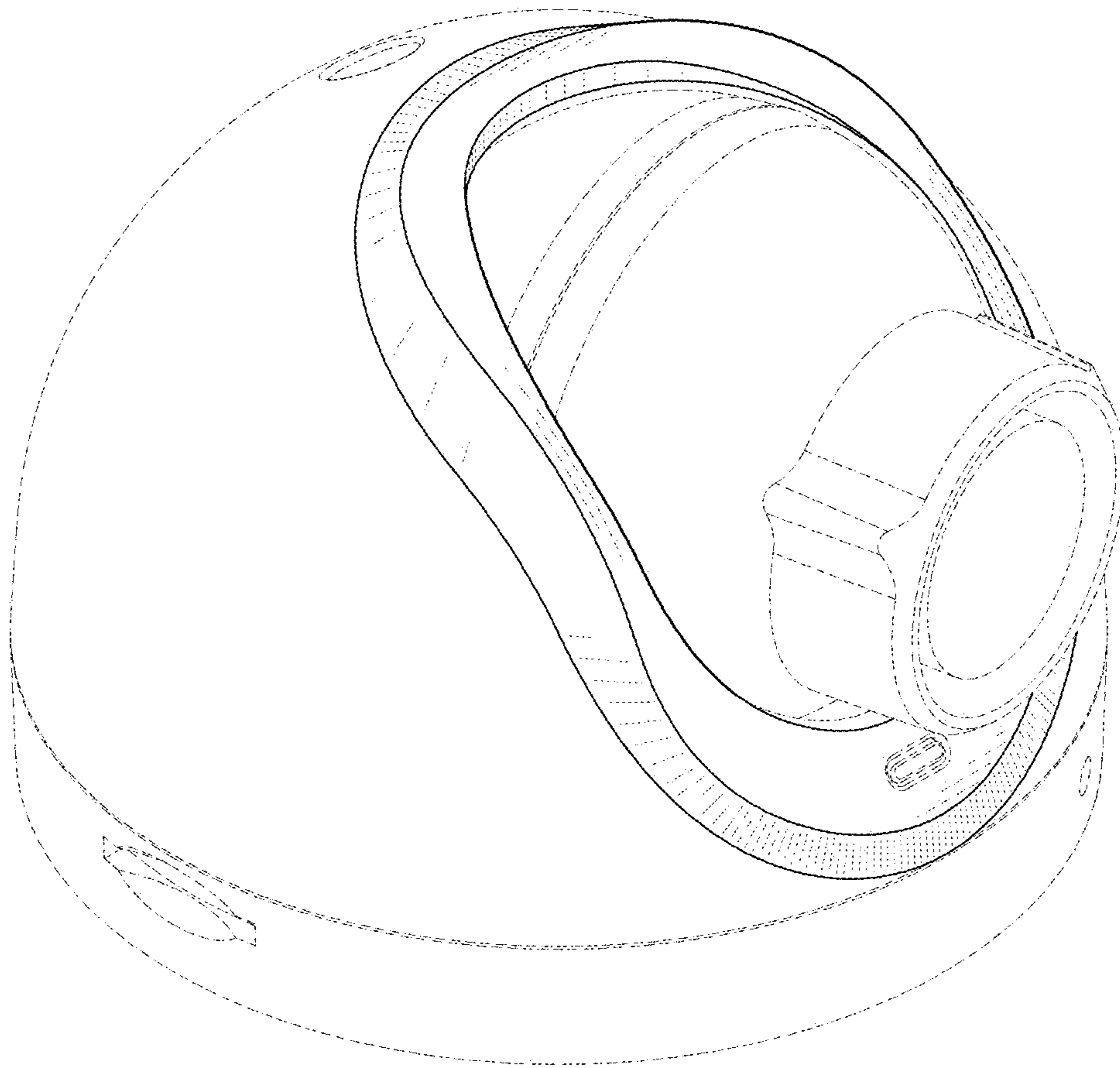


FIG. 10