



US00D749660S

(12) **United States Design Patent**  
**Yu et al.**

(10) **Patent No.:** **US D749,660 S**  
(45) **Date of Patent:** **\*\* Feb. 16, 2016**

(54) **CAMERA**

(71) Applicant: **VIVOTEK INC.**, New Taipei (TW)

(72) Inventors: **Chang-Chung Yu**, New Taipei (TW);  
**Szu-Hsing Cheng**, New Taipei (TW)

(73) Assignee: **VIVOTEK INC.**, Chung-Ho District,  
New Taipei (TW)

(\*\*) Term: **14 Years**

(21) Appl. No.: **29/501,261**

(22) Filed: **Sep. 3, 2014**

(30) **Foreign Application Priority Data**

Apr. 11, 2014 (TW) ..... 103302156

(51) **LOC (10) Cl.** ..... **16-01**

(52) **U.S. Cl.**  
USPC ..... **D16/203**

(58) **Field of Classification Search**

USPC ..... D16/200, 202–206, 218, 219, 242;  
348/143, 148, 151, 373–376; 396/419,  
396/427, 535, 539–541  
CPC ..... G03B 17/02; G03B 19/04; G03B 17/56;  
G03B 17/04; G03B 15/03; H04N 5/2251;  
H04N 5/2252; H04N 5/2253; H04N 5/2254;  
H04N 7/181; H04N 7/183; H04N 7/18;  
G08B 13/1963; G08B 13/19619; G08B  
13/19632; F16M 11/04; F16M 13/00

See application file for complete search history.

(56) **References Cited**

U.S. PATENT DOCUMENTS

D499,125	S	*	11/2004	Adachi	.....	D16/203
D639,842	S	*	6/2011	Zeinoun	.....	D16/203
7,990,468	B2	*	8/2011	Yamamoto	.....	F16M 11/12 348/373
D645,071	S	*	9/2011	Hinkel	.....	D16/203
D650,410	S	*	12/2011	Helaoui	.....	D16/203
D657,410	S	*	4/2012	Helaoui	.....	D16/203
D677,297	S	*	3/2013	Bart	.....	D16/203
D688,720	S	*	8/2013	Yilin	.....	D16/203
D694,305	S	*	11/2013	Katori	.....	D16/203
D719,994	S	*	12/2014	Wang	.....	D16/203
D721,755	S	*	1/2015	Åhman	.....	D16/203
D729,859	S	*	5/2015	Shin	.....	D16/203
2012/0106942	A1	*	5/2012	Mukai	.....	G03B 37/00 396/427

\* cited by examiner

*Primary Examiner* — Adir Aronovich

*Assistant Examiner* — Ramzi Almatrahi

(74) *Attorney, Agent, or Firm* — Winston Hsu; Scott Margo

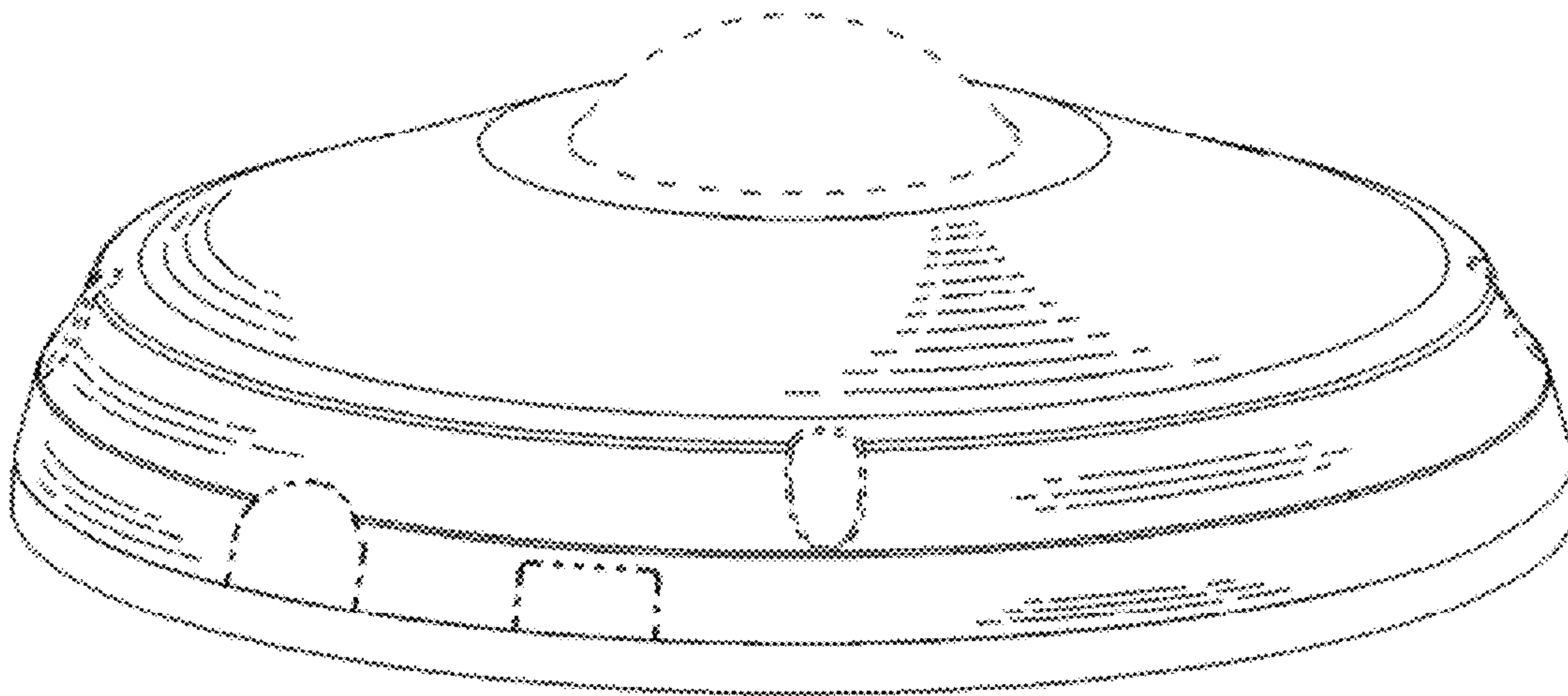
(57) **CLAIM**

The ornamental design for a camera, as shown and described.

**DESCRIPTION**

FIG. 1 is a top, front and right side perspective view of a camera showing our new design; FIG. 2 is a front elevation view thereof; FIG. 3 is a rear elevation view thereof; FIG. 4 is a left side elevation view thereof. FIG. 5 is a right side elevation view thereof. FIG. 6 is a top plan view thereof; and, FIG. 7 is a bottom plan view thereof. The broken lines depict portions of a camera in which the design is embodied and forms no part of the claimed design.

**1 Claim, 7 Drawing Sheets**



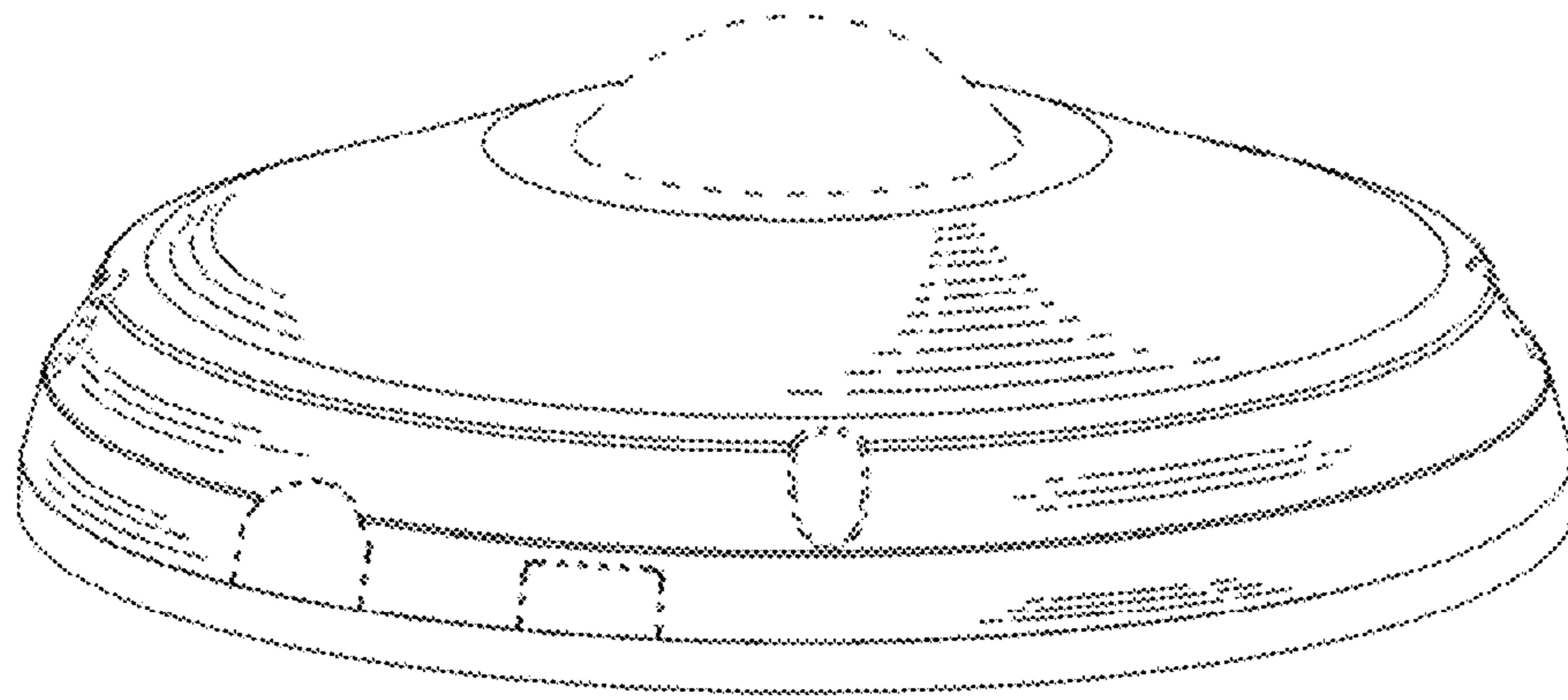


FIG. 1

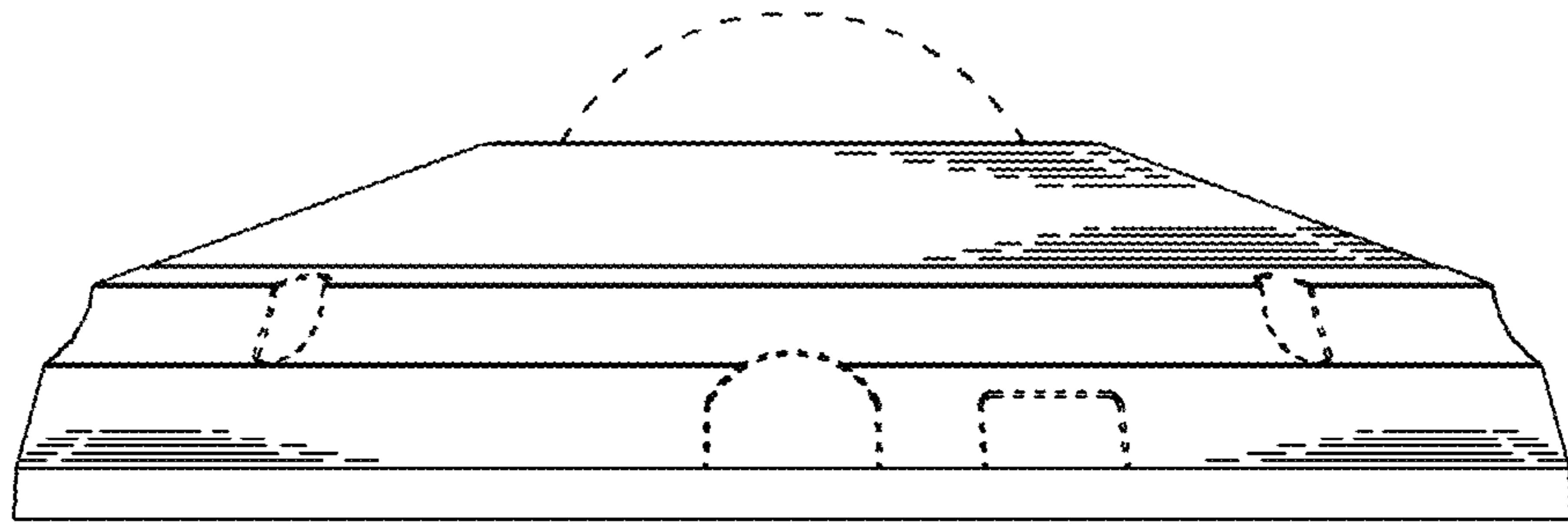


FIG. 2

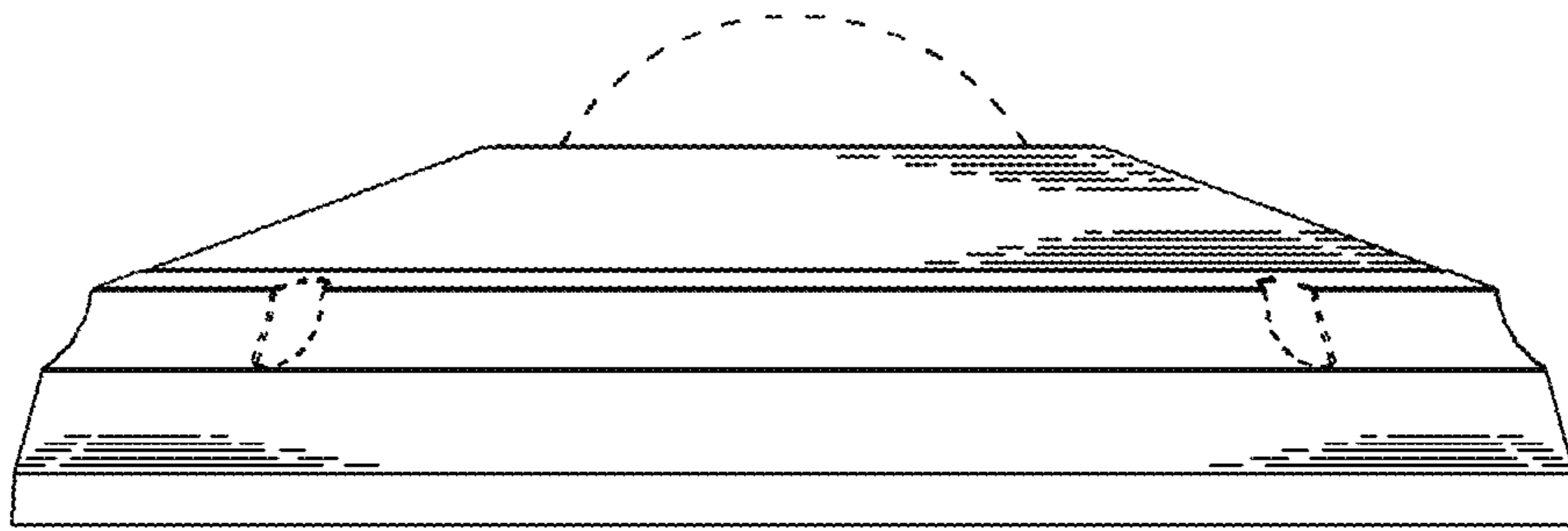


FIG. 3

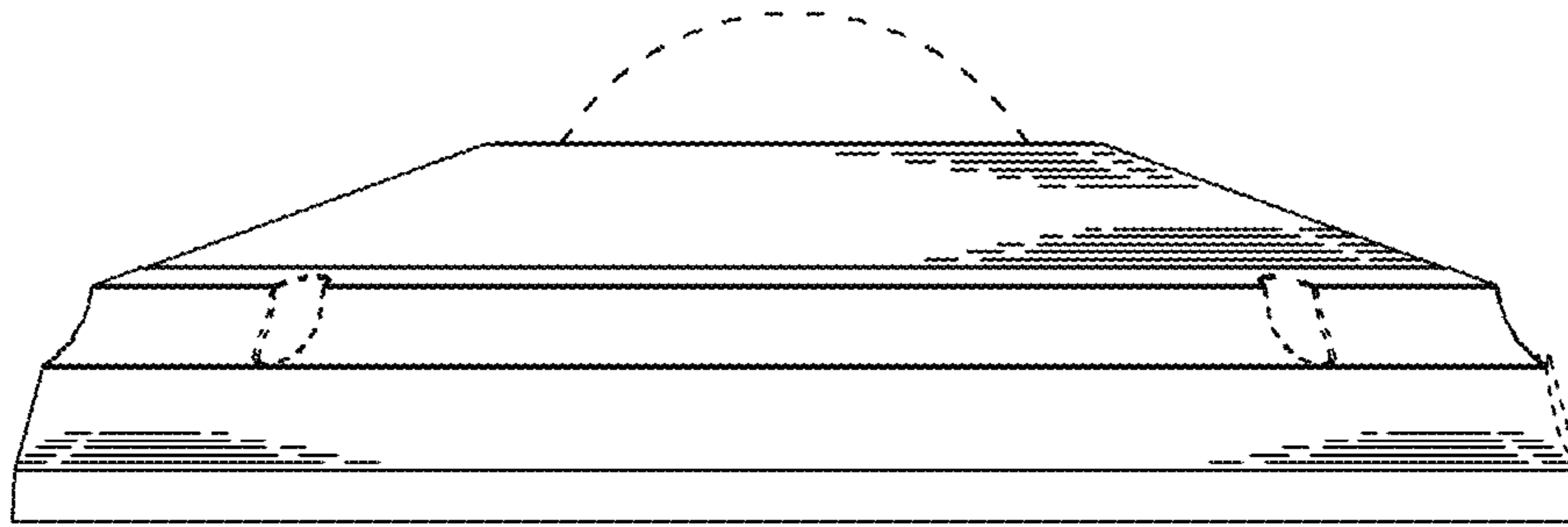


FIG. 4

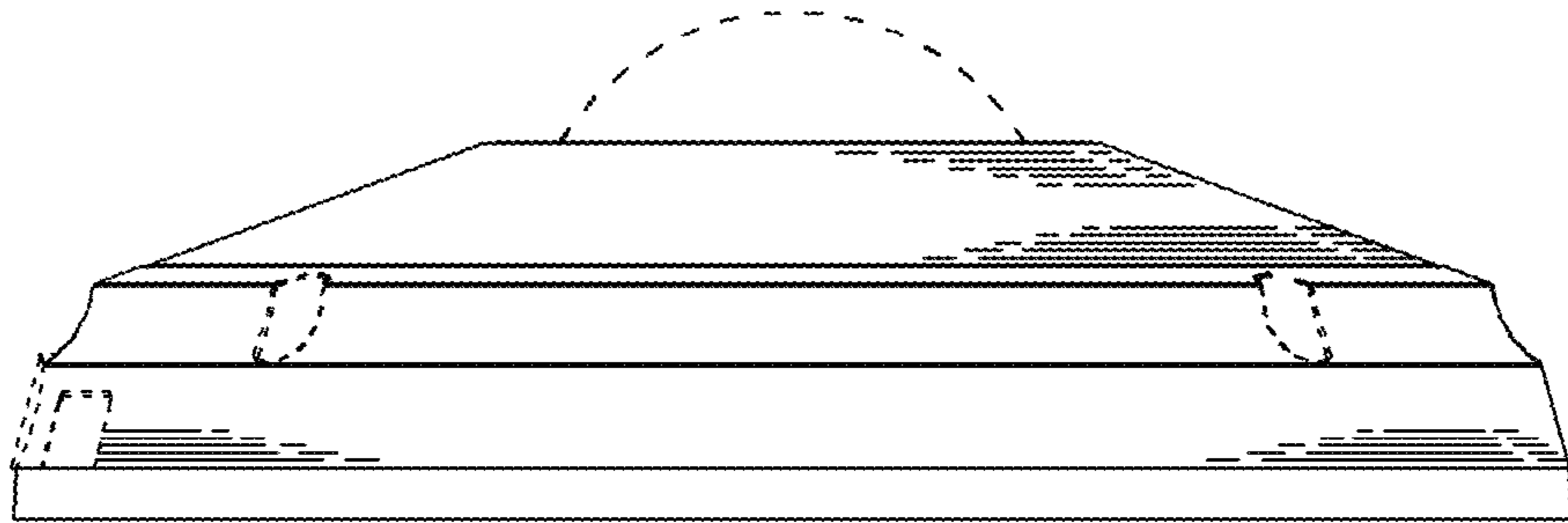


FIG. 5

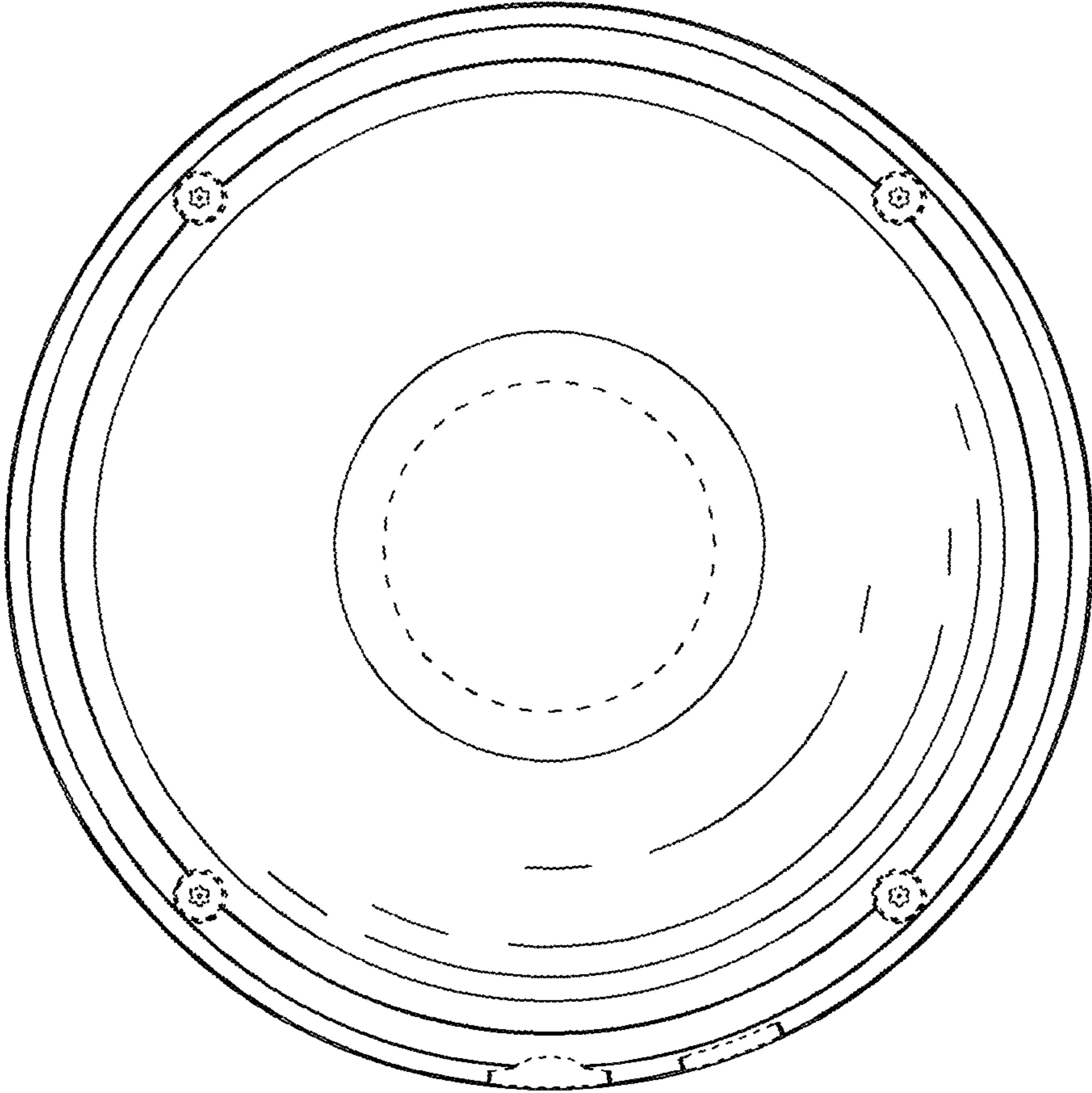


FIG. 6



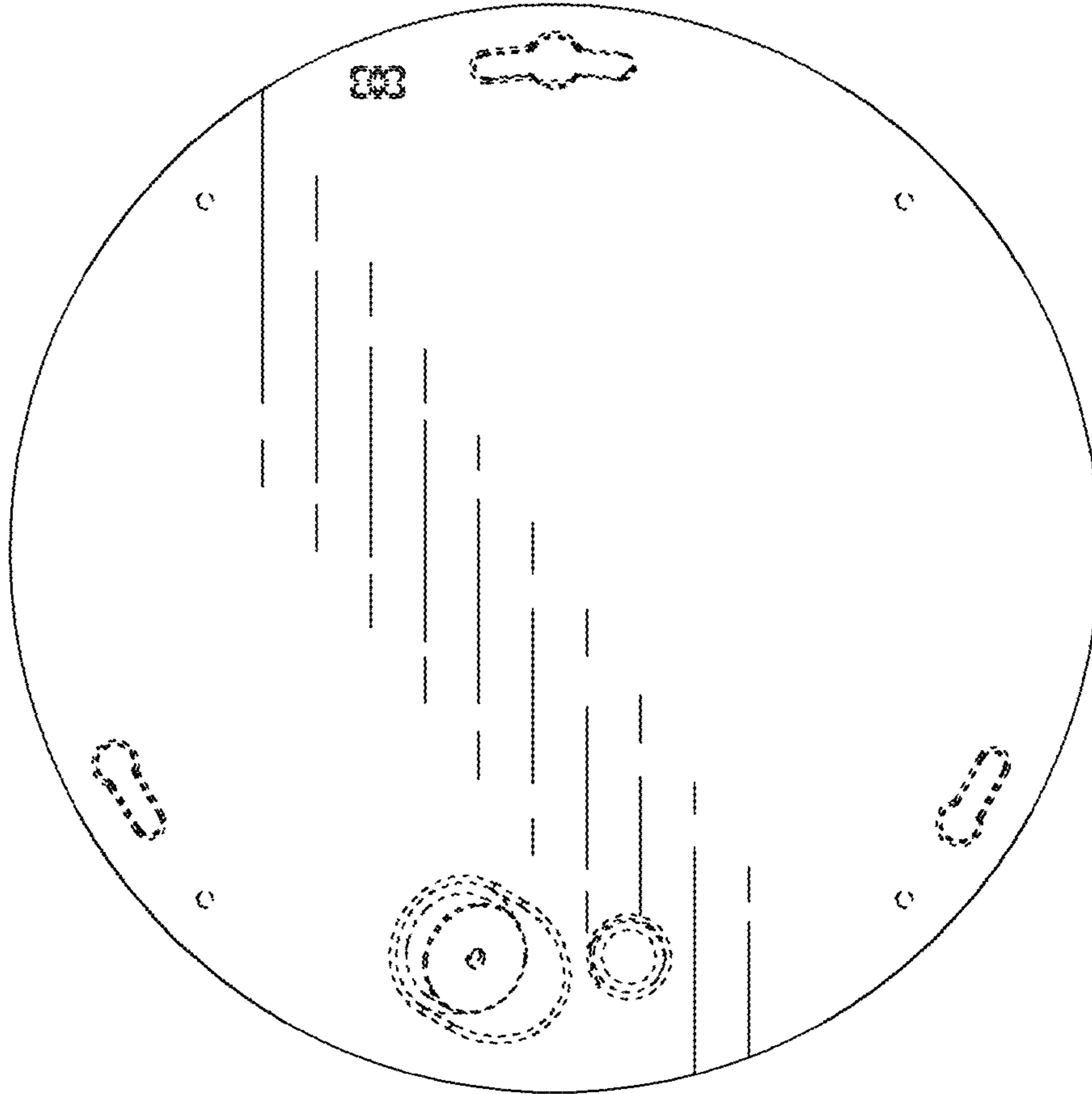


FIG. 7