



US00D749658S

(12) **United States Design Patent**
Watanabe

(10) **Patent No.:** **US D749,658 S**

(45) **Date of Patent:** **** Feb. 16, 2016**

(54) **DIGITAL CAMERA**

(71) Applicant: **Nikon Corporation**, Tokyo (JP)

(72) Inventor: **Sumito Watanabe**, Yokohama (JP)

(73) Assignee: **Nikon Corporation**, Tokyo (JP)

(**) Term: **14 Years**

(21) Appl. No.: **29/512,533**

(22) Filed: **Dec. 19, 2014**

(30) **Foreign Application Priority Data**

Jun. 20, 2014 (JP) 2014-013514

(51) **LOC (10) Cl.** **16-01**

(52) **U.S. Cl.**

USPC **D16/202**; D16/217

(58) **Field of Classification Search**

USPC D16/200, 202–206, 208, 217, 218, 219;
348/340, 373–376; 396/89, 176–178,
396/535, 539–541

CPC G03B 15/03; G03B 17/02; G03B 17/04;
G03B 17/56; G03B 19/04; H04N 5/2251;
H04N 5/2252; H04N 5/2253; H04N 5/2254;
H04N 2101/00

See application file for complete search history.

(56) **References Cited**

U.S. PATENT DOCUMENTS

6,427,051 B1 * 7/2002 Hosokawa G03B 15/05
396/165
D559,291 S * 1/2008 Hayashi D16/202
D560,239 S * 1/2008 Kim D16/202
D581,440 S * 11/2008 Nakamura D16/202
D594,892 S * 6/2009 Kamiya D16/202
D609,730 S * 2/2010 Nakamura D16/202
D611,977 S * 3/2010 Kim D16/202
D620,036 S * 7/2010 Obata D16/202
8,199,245 B2 * 6/2012 Sato G03B 13/24
348/340

D664,582 S * 7/2012 Asano D16/202
D672,802 S * 12/2012 Nojima D16/219
8,326,138 B2 * 12/2012 Yoshii G02B 7/282
396/177
D690,755 S * 10/2013 Nikaido D16/202
D698,840 S * 2/2014 Nakamura D16/202
D724,131 S * 3/2015 Kim D16/202
D726,797 S * 4/2015 Ham D16/202
D736,846 S * 8/2015 Jang D16/202
2013/0093946 A1 * 4/2013 Nakagawa H04N 5/2252
348/374

FOREIGN PATENT DOCUMENTS

JP 1450409 S 9/2012

OTHER PUBLICATIONS

Website: http://www.nikon.co.jp/news/2013/1017_d5300_01.htm,
A New Product of Nikon Corporation, Digital Single-Lens Reflex
Camera “D5300”, is to be Released, dated Oct. 17, 2013, pp. 1-7.

* cited by examiner

Primary Examiner — Adir Aronovich

Assistant Examiner — Ramzi Almatrahi

(74) *Attorney, Agent, or Firm* — Wolf, Greenfield & Sacks,
P.C.

(57) **CLAIM**

The ornamental design for a digital camera, as shown and
described.

DESCRIPTION

FIG. 1 is a front, top and right side perspective view of a
digital camera showing my new design;
FIG. 2 is a rear, top and left side perspective view thereof;
FIG. 3 is a front elevational view thereof;
FIG. 4 is a rear elevational view thereof;
FIG. 5 is a top plan view thereof;
FIG. 6 is a bottom plan view thereof;
FIG. 7 is a right side elevational view thereof; and,
FIG. 8 is a left side elevational view thereof.

1 Claim, 8 Drawing Sheets

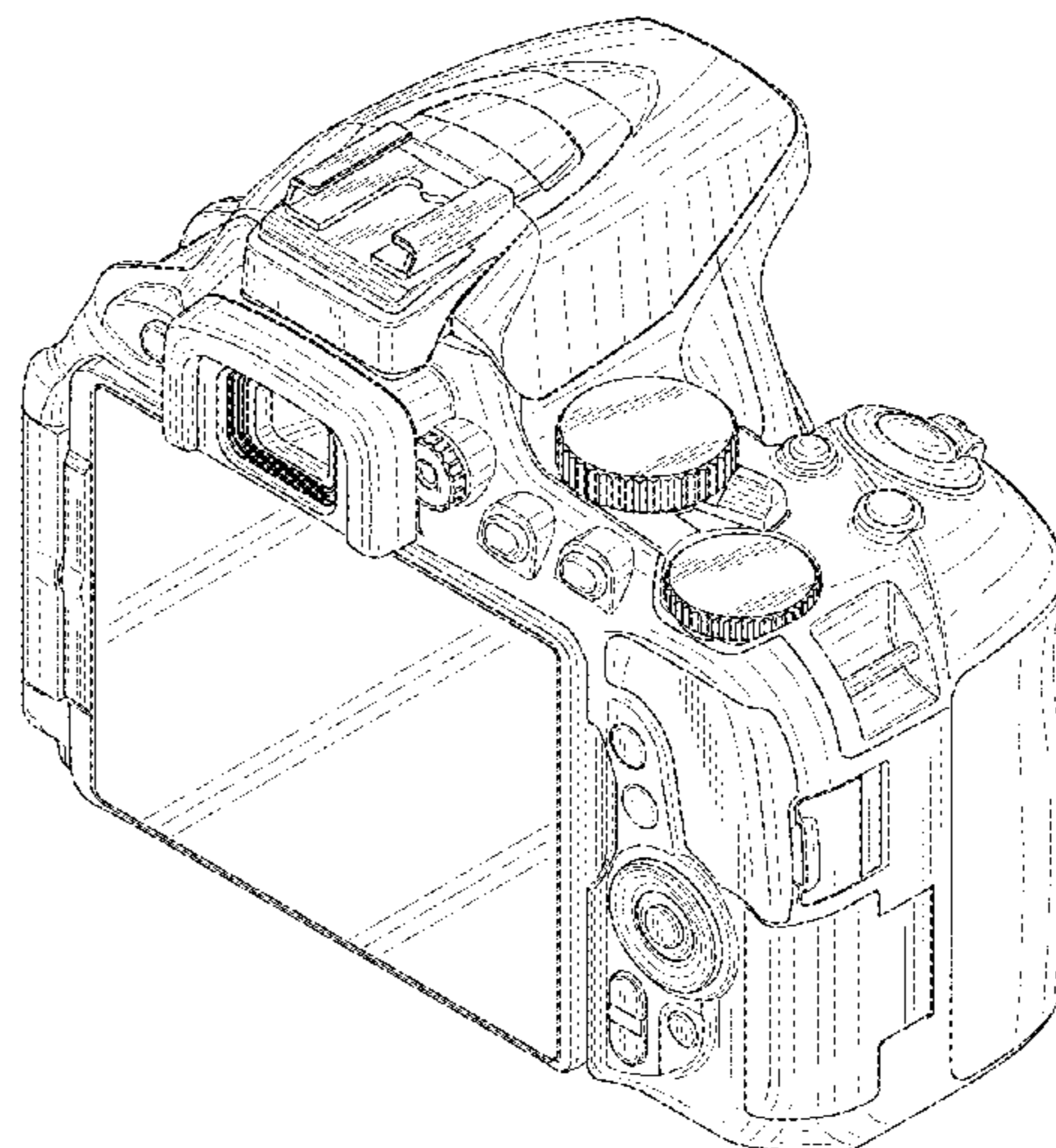
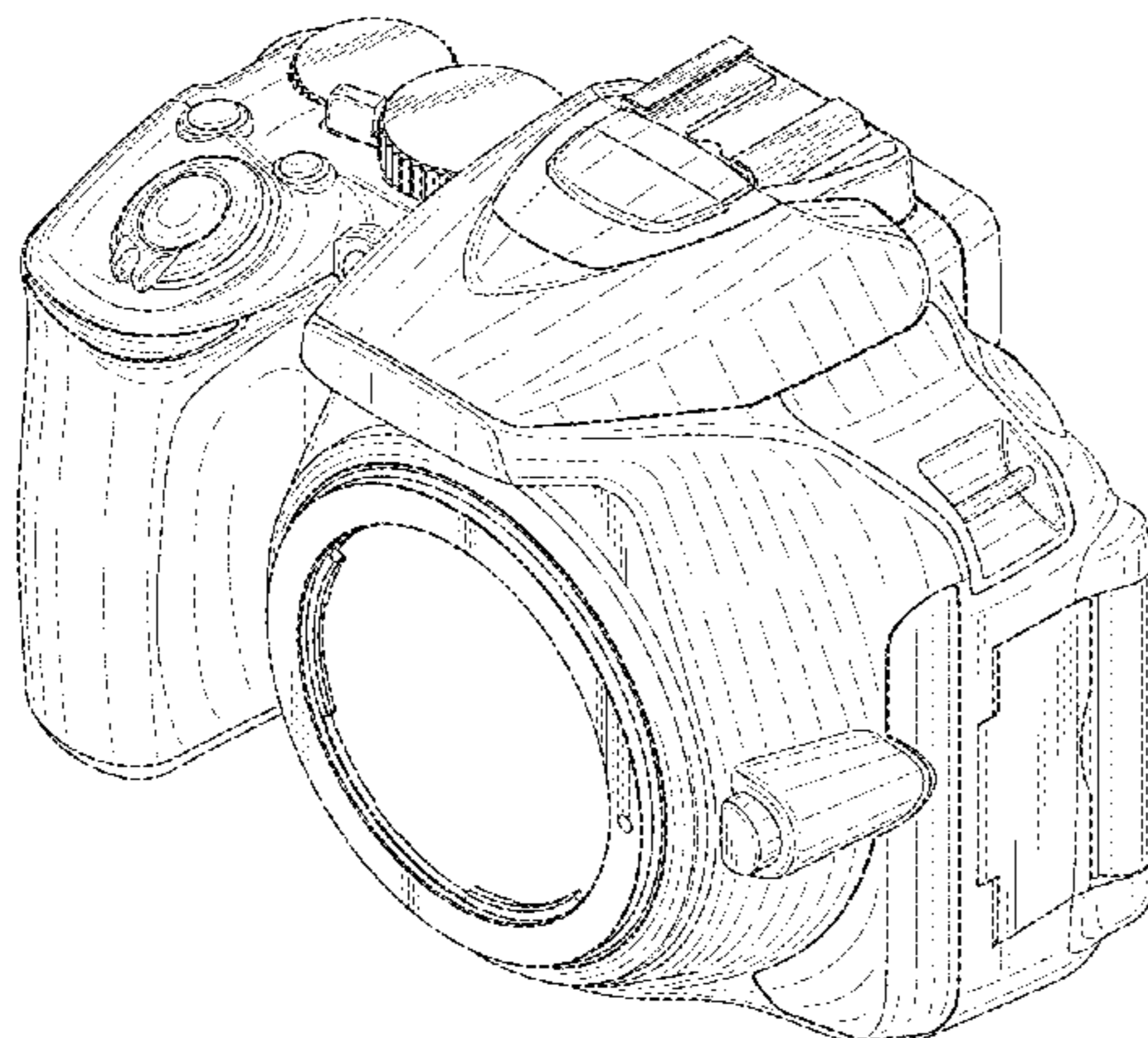


FIG. 1

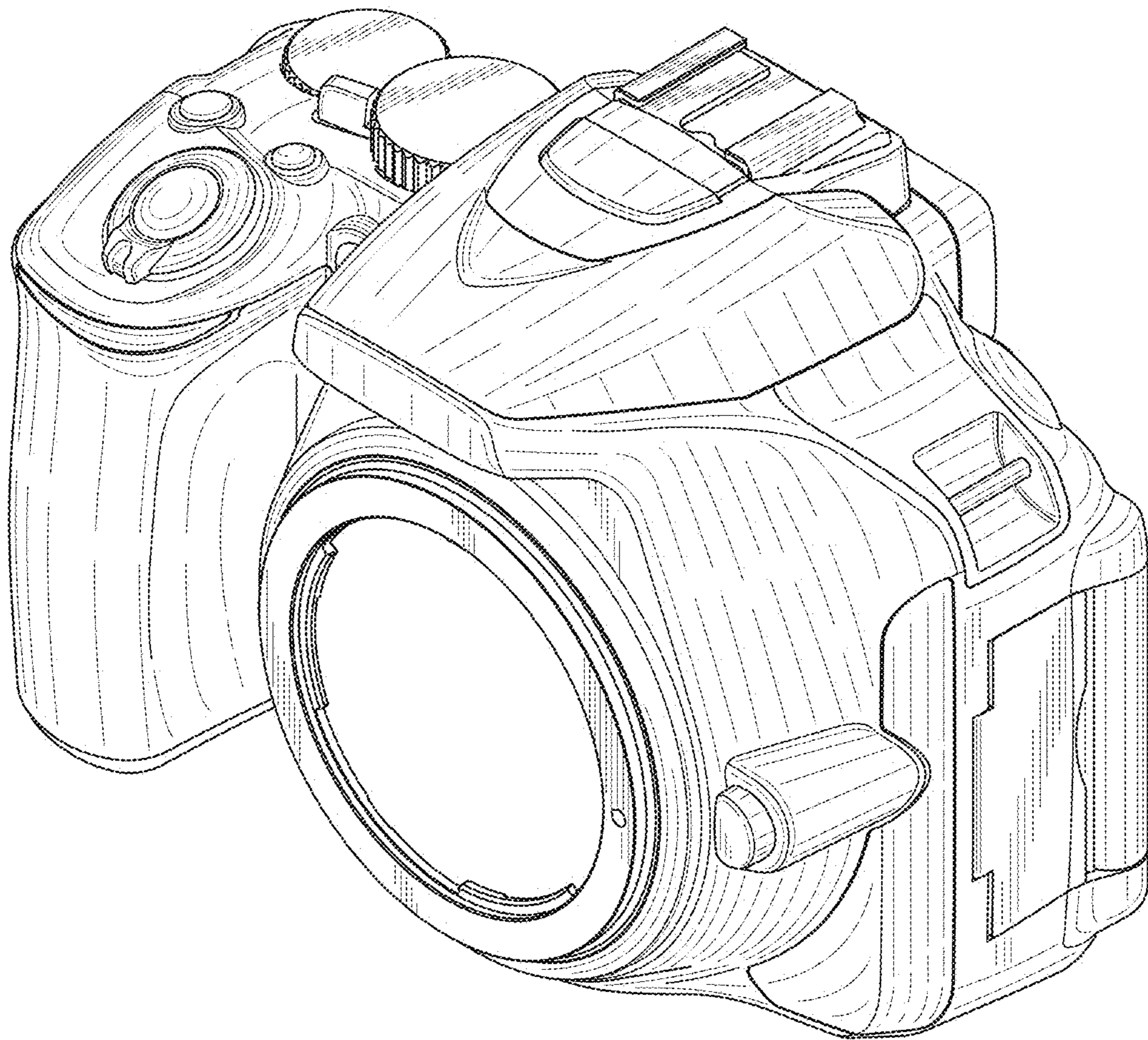


FIG. 2

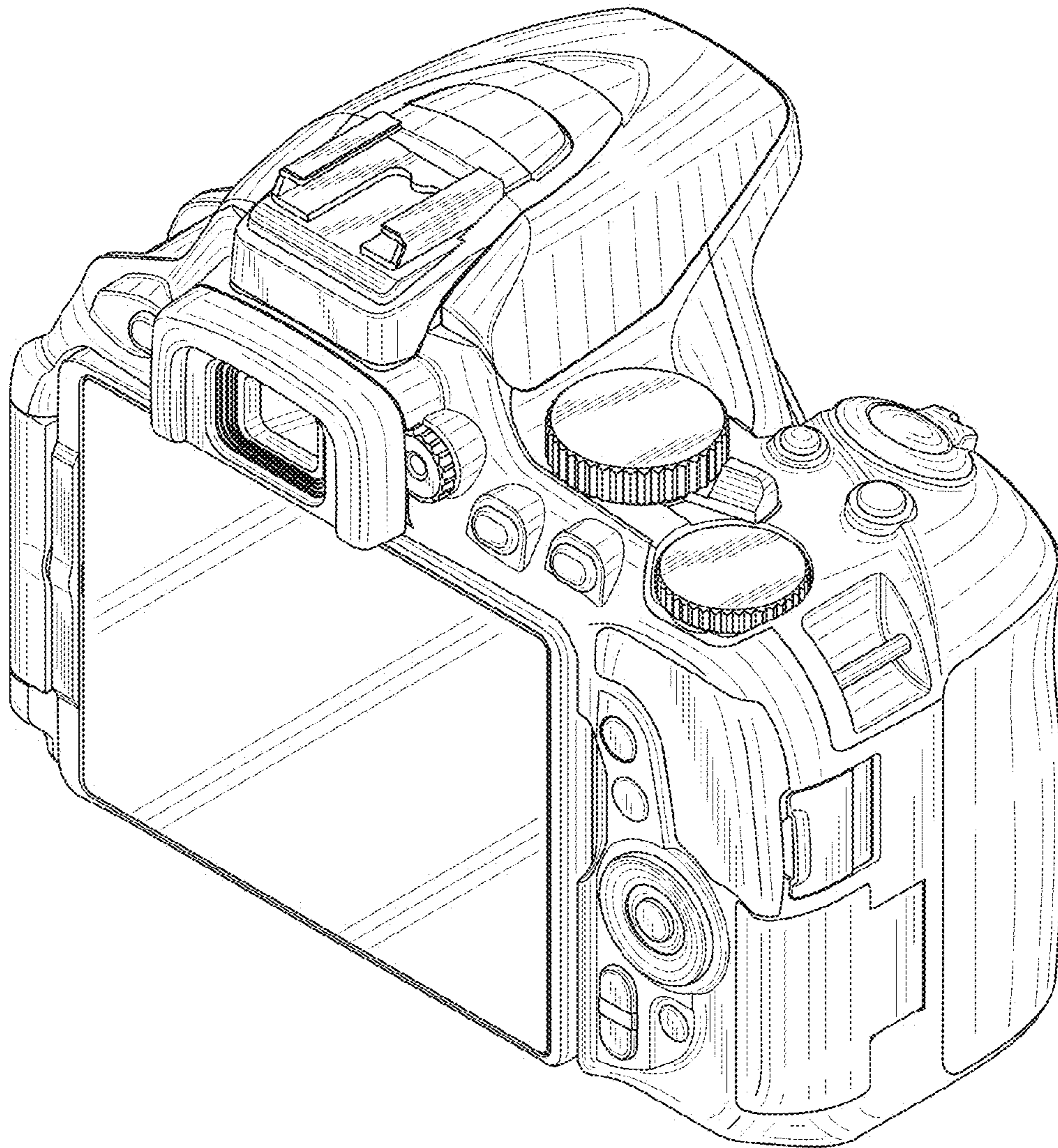


FIG. 3

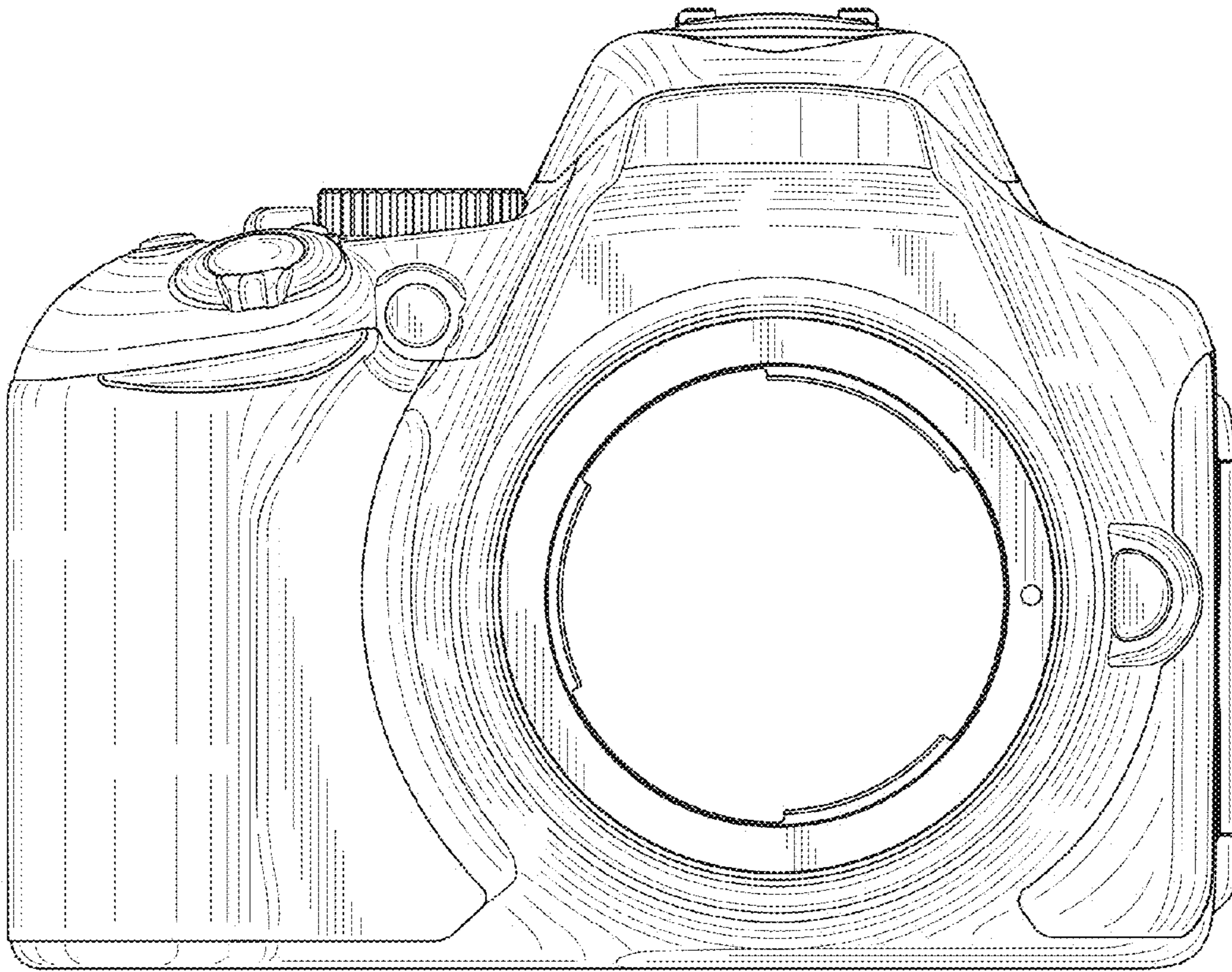


FIG. 4

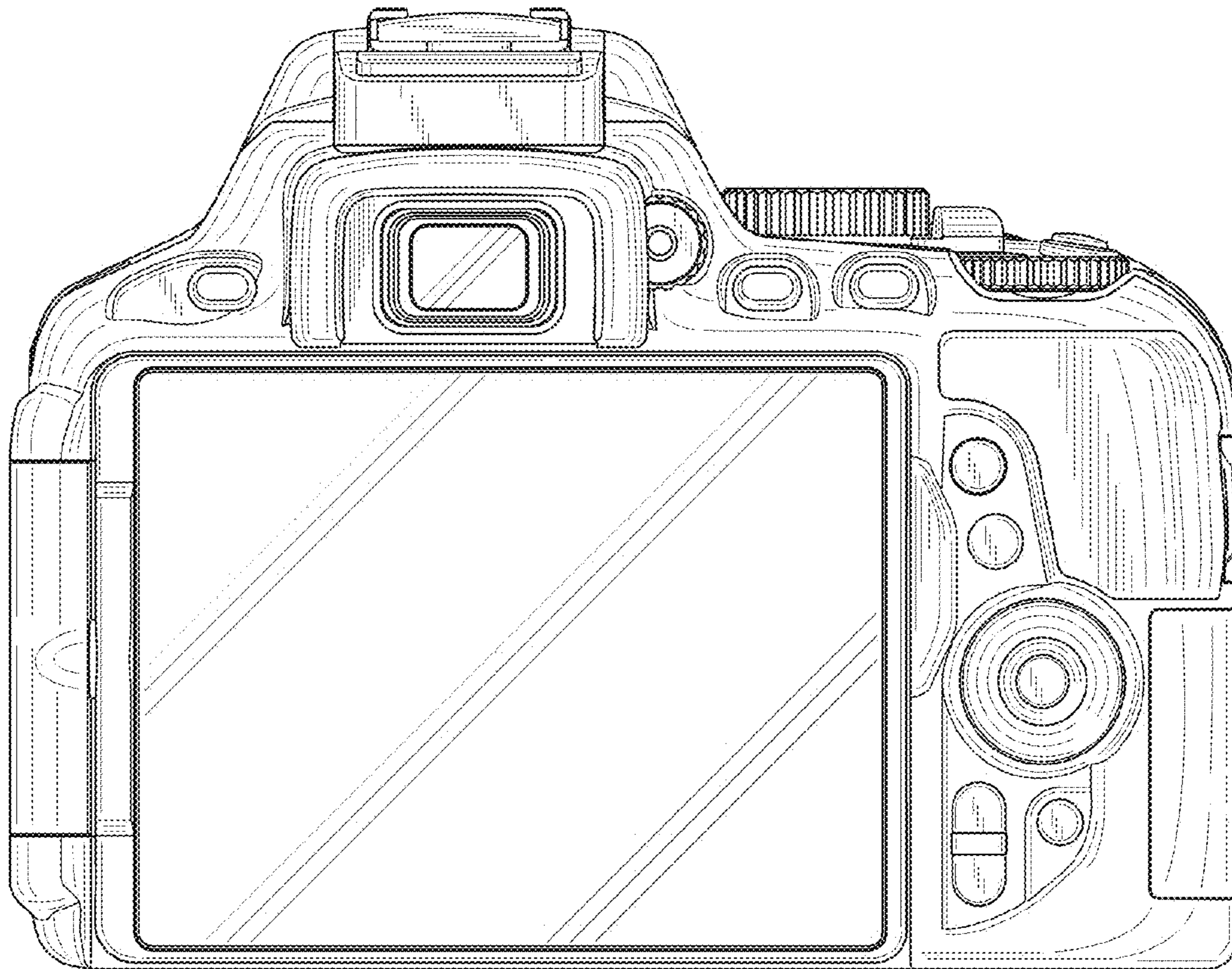


FIG. 5

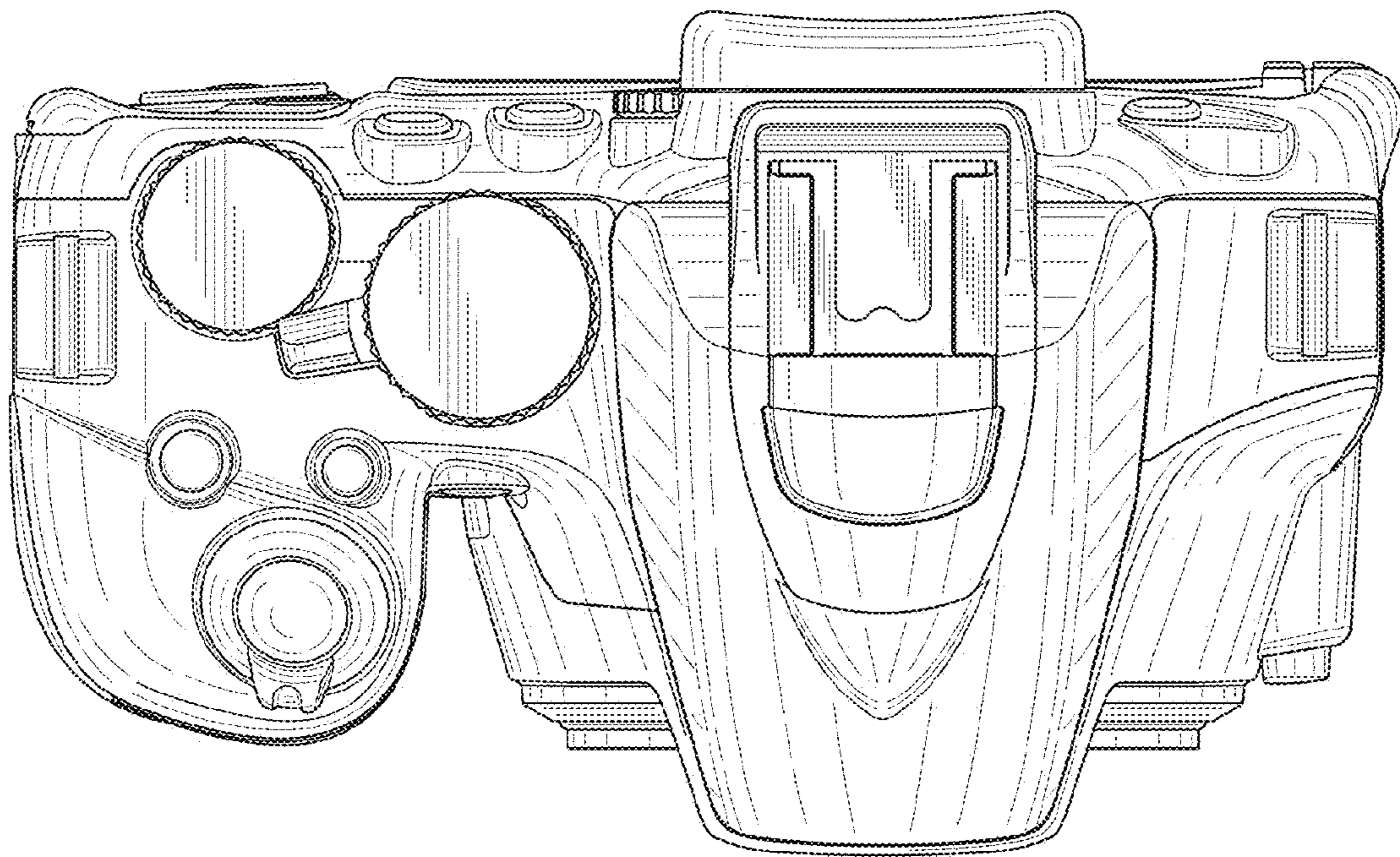


FIG. 6

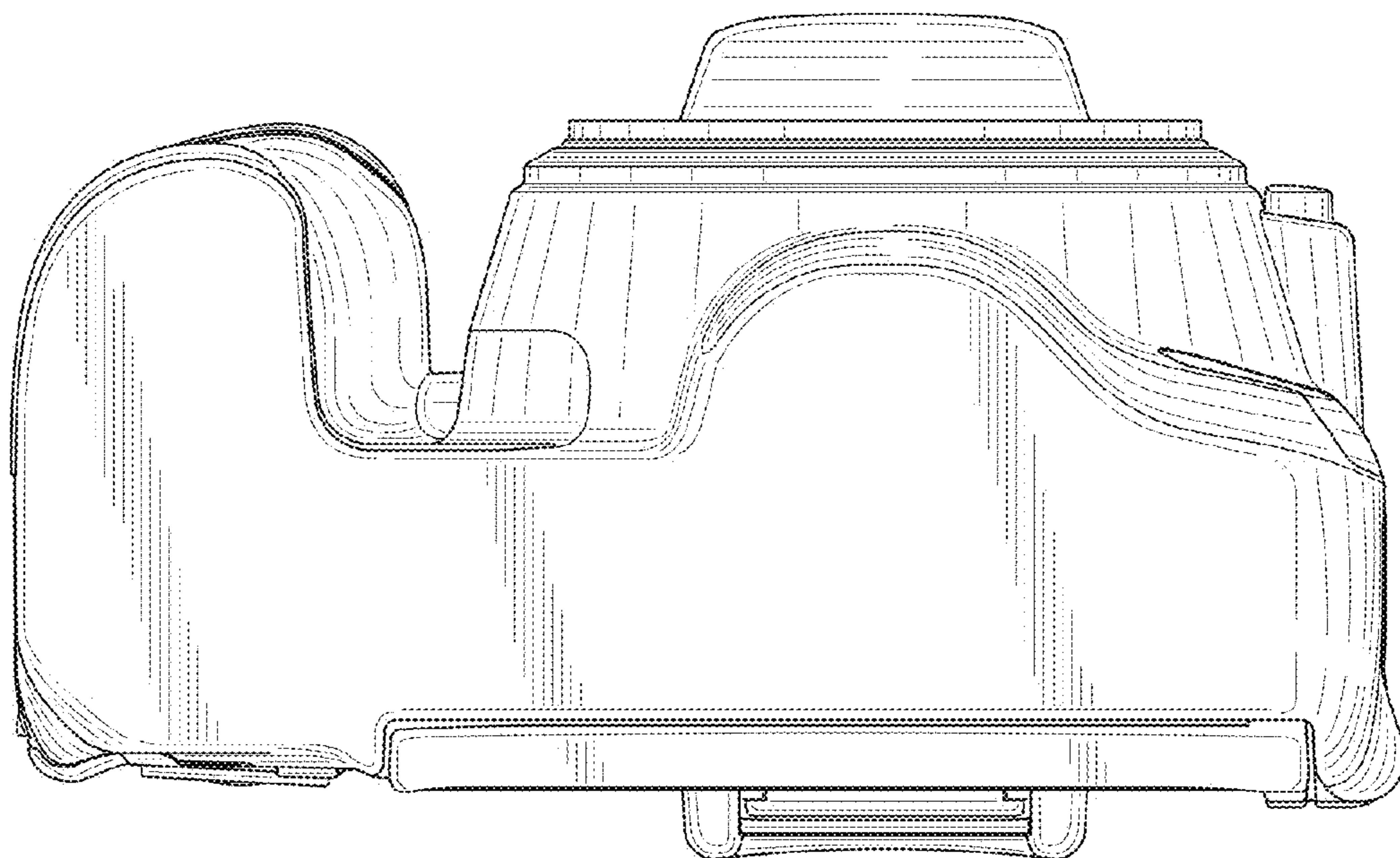


FIG. 7

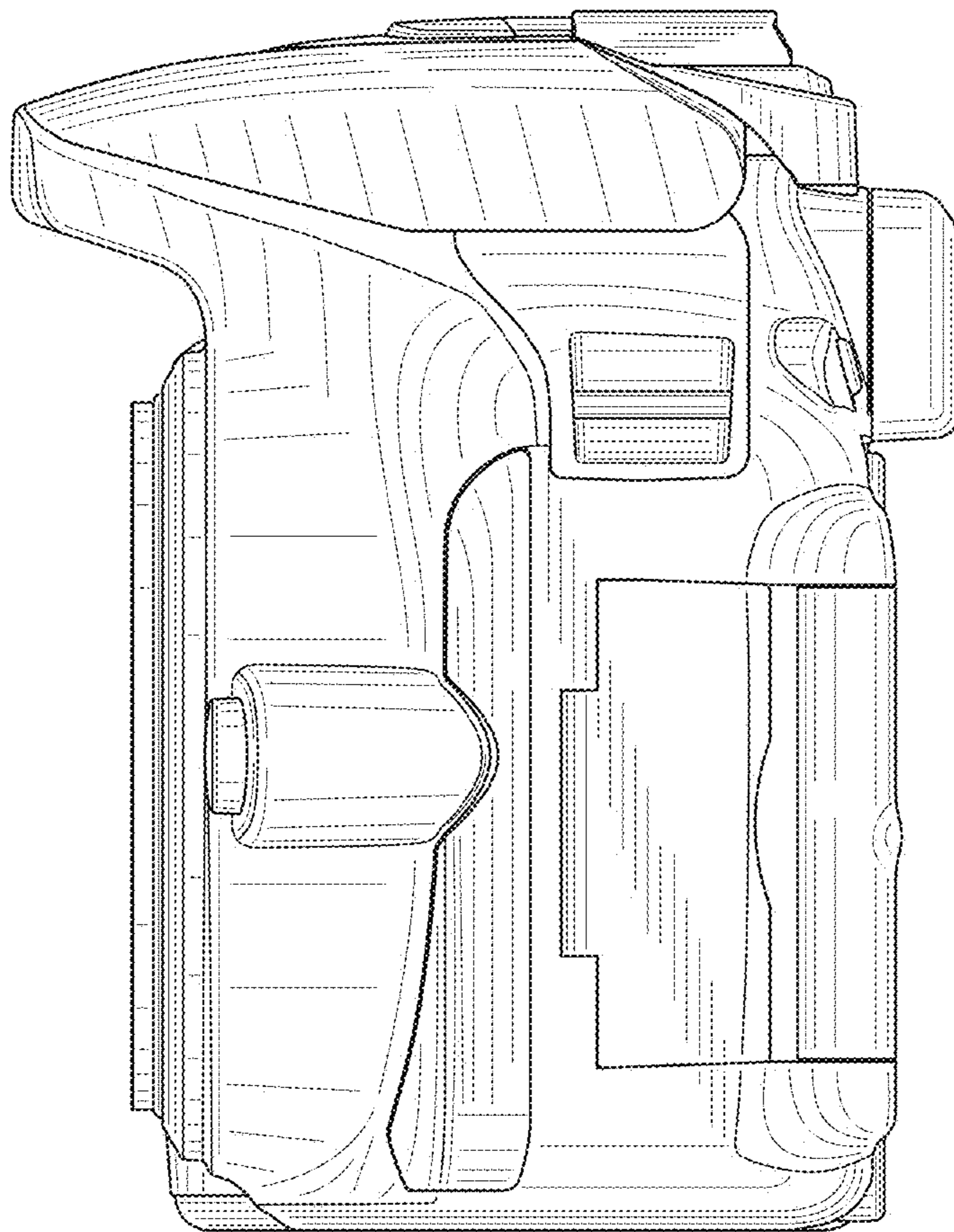


FIG. 8

