

US00D749657S

(12) **United States Design Patent**  
**Huang et al.**

(10) **Patent No.:** **US D749,657 S**  
(45) **Date of Patent:** **\*\* Feb. 16, 2016**

- (54) **GEROTOR HOUSING**
- (71) Applicant: **AMERICAN AXLE & MANUFACTURING, INC.**, Detroit, MI (US)
- (72) Inventors: **Zugang Huang**, Troy, MI (US); **Charles G. Stuart**, Rochester Hills, MI (US)
- (73) Assignee: **American Axle & Manufacturing, Inc.**, Detroit, MI (US)
- (\*\*) Term: **14 Years**
- (21) Appl. No.: **29/509,646**
- (22) Filed: **Nov. 19, 2014**
- (51) **LOC (10) Cl.** ..... **15-09**
- (52) **U.S. Cl.**  
USPC ..... **D15/149**
- (58) **Field of Classification Search**  
USPC ..... D15/148, 149  
See application file for complete search history.

(56) **References Cited**  
U.S. PATENT DOCUMENTS

- 4,282,767 A \* 8/1981 Guichard ..... F16H 1/225  
74/410
- 4,381,174 A \* 4/1983 Obler ..... F16H 9/14  
417/15
- D269,014 S \* 5/1983 Tumidajewicz ..... D15/149
- 4,480,971 A \* 11/1984 Swedberg ..... F04C 2/104  
418/61.3
- 4,519,755 A \* 5/1985 Hanson ..... F04C 23/001  
417/32
- 4,774,848 A \* 10/1988 Zupancic ..... F16H 1/16  
198/672
- 4,987,791 A \* 1/1991 Nakahashi ..... B60S 1/08  
74/425
- 5,212,999 A \* 5/1993 Kitada ..... B60S 1/08  
384/223
- 5,216,929 A \* 6/1993 Ochiai ..... F16H 1/16  
74/425
- 5,404,060 A \* 4/1995 Nakahashi ..... F16H 55/06  
29/893.37

- 5,570,606 A \* 11/1996 Irie ..... F16H 1/203  
74/425
- 5,722,815 A \* 3/1998 Cozens ..... F04C 14/26  
417/288
- D403,004 S \* 12/1998 Kaye ..... D15/149
- 5,875,681 A \* 3/1999 Gerrand ..... B60S 1/166  
310/83
- 6,102,824 A \* 8/2000 Kosodo ..... F01B 3/00  
475/83
- 6,113,360 A \* 9/2000 Yu ..... F04C 2/102  
417/310
- 6,126,424 A \* 10/2000 Wenker ..... F01C 1/084  
418/190
- 6,699,152 B2 \* 3/2004 Tanaka ..... F16H 1/32  
475/149
- 6,772,863 B2 \* 8/2004 Jessen ..... F04C 15/0057  
188/106 F
- 6,788,048 B2 \* 9/2004 Hedayat ..... B60N 2/002  
324/202
- 6,974,315 B2 \* 12/2005 Dees ..... F16N 13/20  
418/171
- 6,988,582 B2 \* 1/2006 Kitami ..... B62D 5/0409  
180/444
- 7,278,841 B2 \* 10/2007 Phillips ..... F04C 2/086  
418/132
- 7,591,637 B2 \* 9/2009 Muehlhausen ..... F04C 2/086  
417/410.3
- 7,605,506 B2 \* 10/2009 Kanda ..... H02K 5/148  
310/51

(Continued)

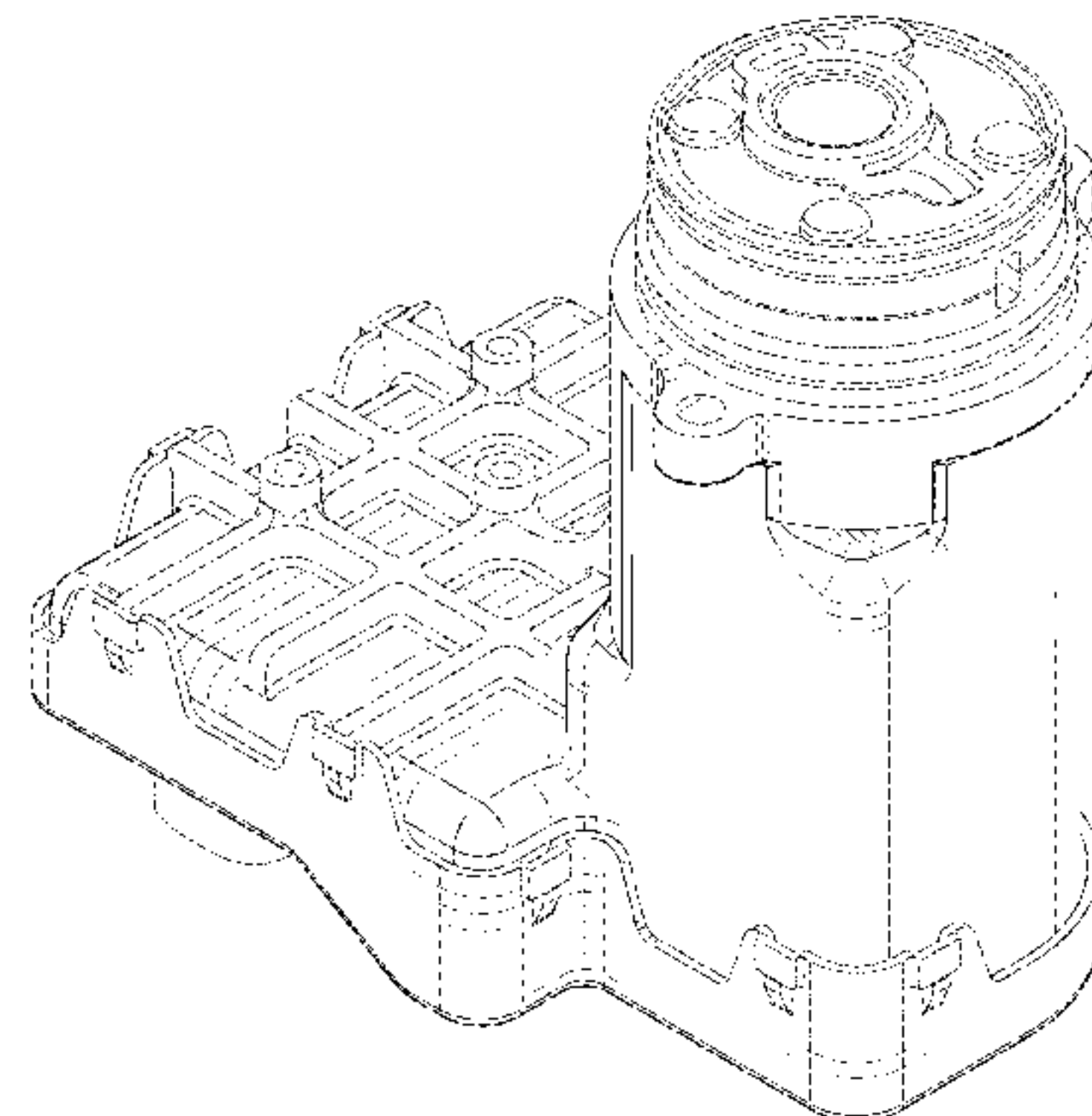
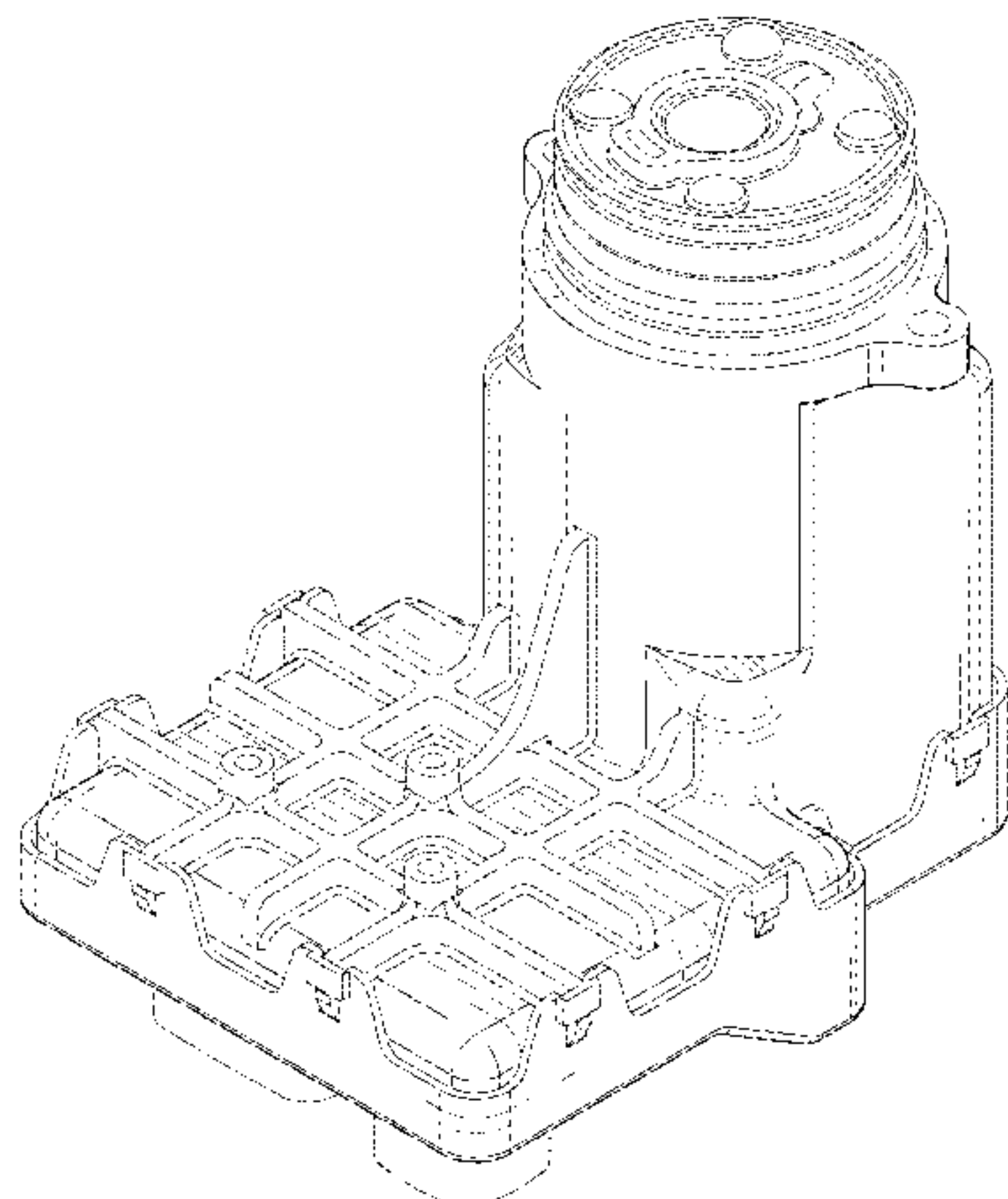
*Primary Examiner* — Patricia Palasik  
(74) *Attorney, Agent, or Firm* — Harness, Dickey & Pierce, P.L.C.

(57) **CLAIM**  
The ornamental design for a gerotor housing, as shown and described.

**DESCRIPTION**

FIG. 1 is a first perspective view of an ornamental design of a gerotor housing in accordance with the present invention; FIG. 2 is a second perspective view of the gerotor housing of FIG. 1; FIG. 3 is a front view of the gerotor housing of FIG. 1; FIG. 4 is a rear view of the gerotor housing of FIG. 1; FIG. 5 is a right side view of the gerotor housing of FIG. 1; and FIG. 6 is a left side view of the gerotor housing of FIG. 1; FIG. 7 is a bottom plan view of the gerotor housing of FIG. 1; and FIG. 8 is a top plan view of the gerotor housing of FIG. 1.

**1 Claim, 8 Drawing Sheets**



(56)

**References Cited**

U.S. PATENT DOCUMENTS

D604,347 S \* 11/2009 Wittenstein ..... D15/149  
7,637,725 B2 \* 12/2009 Berger ..... F04C 14/14  
418/61.3  
7,670,122 B2 \* 3/2010 Phillips ..... F04C 2/102  
418/150  
D619,631 S \* 7/2010 Otsuka ..... D15/149  
7,832,997 B2 \* 11/2010 Williamson ..... F01C 21/108  
418/21  
8,109,747 B1 \* 2/2012 Bonny ..... F03C 2/08  
417/205

8,257,068 B2 \* 9/2012 Daigre ..... F01C 21/06  
418/132  
D673,595 S \* 1/2013 Cho ..... D15/148  
8,684,710 B2 \* 4/2014 Jingzhi ..... F04C 2/105  
251/208  
8,734,140 B2 \* 5/2014 Wilton ..... F04C 2/102  
418/166  
D710,918 S \* 8/2014 Tegeltija ..... D15/148  
9,103,211 B2 \* 8/2015 White, Jr. .... F04C 2/086

\* cited by examiner

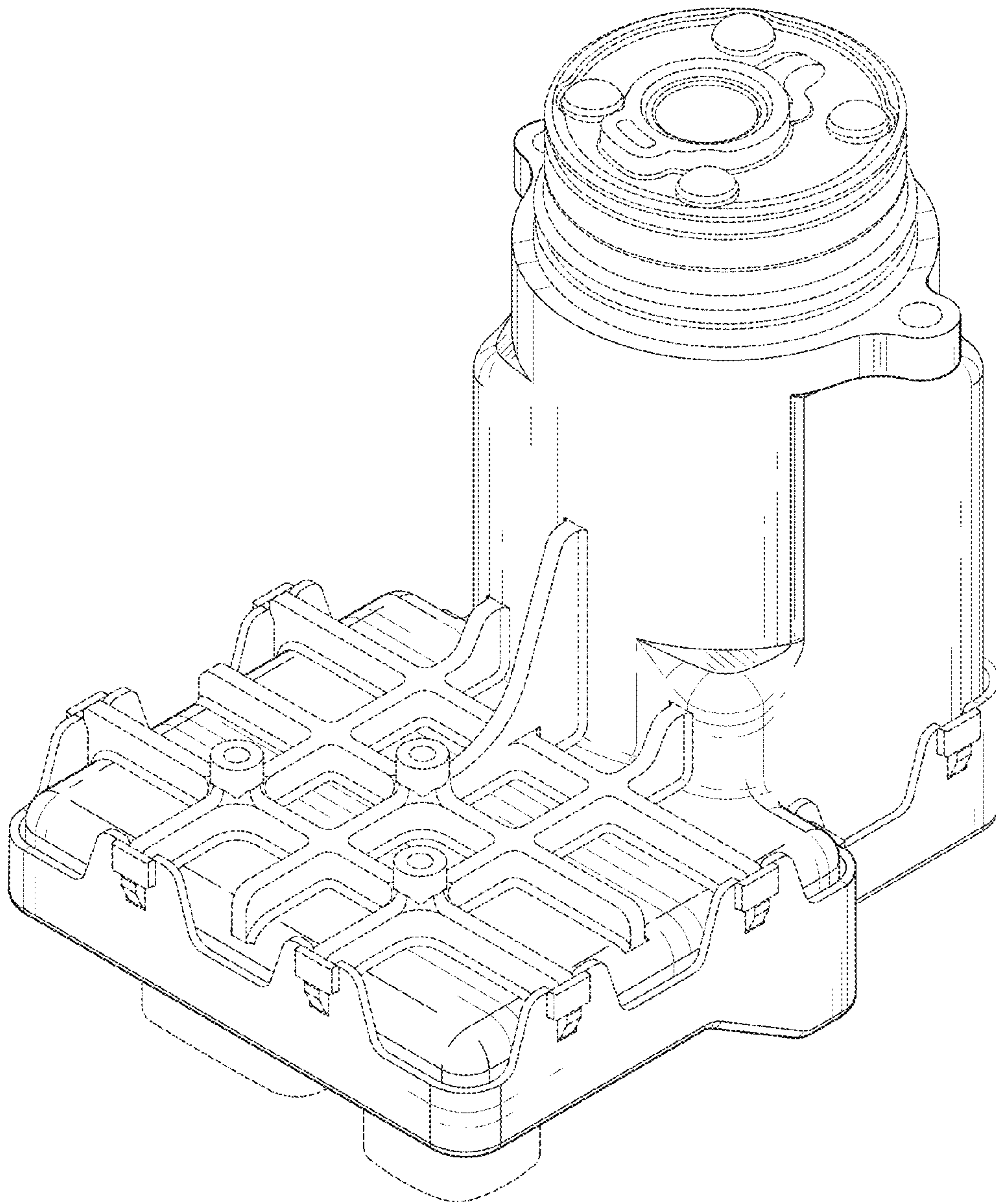


Fig-1



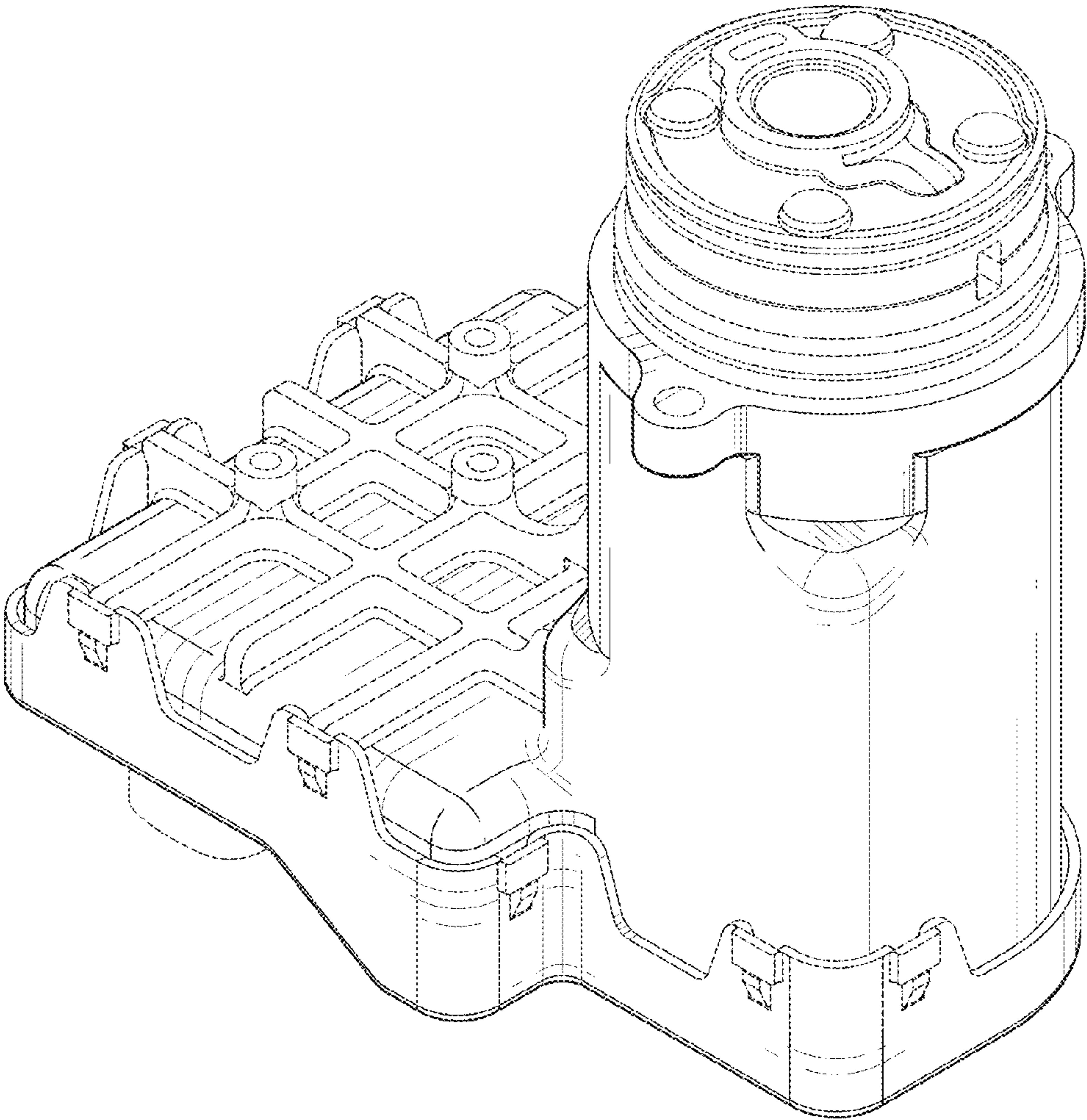


Fig-2

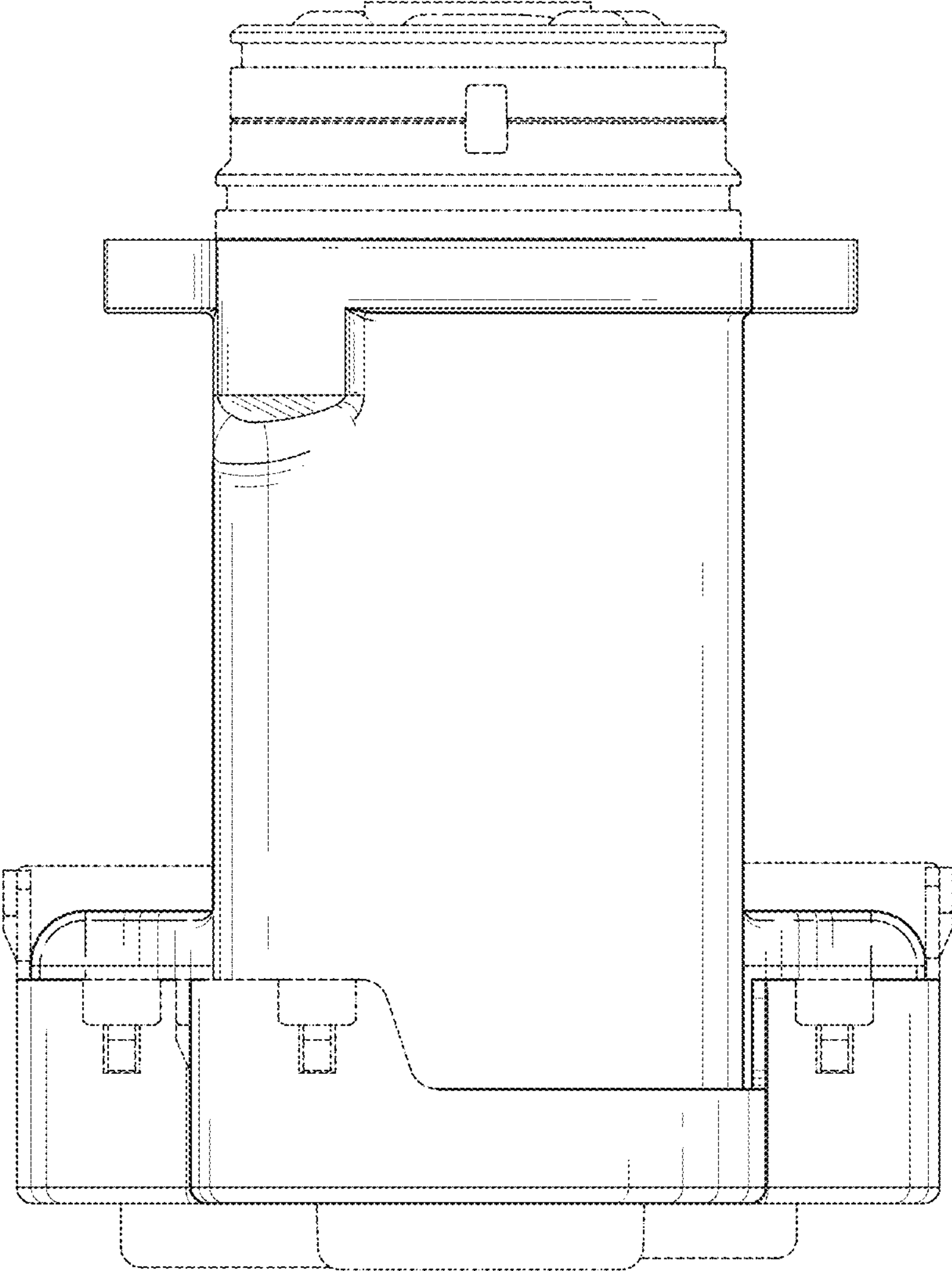


Fig-3

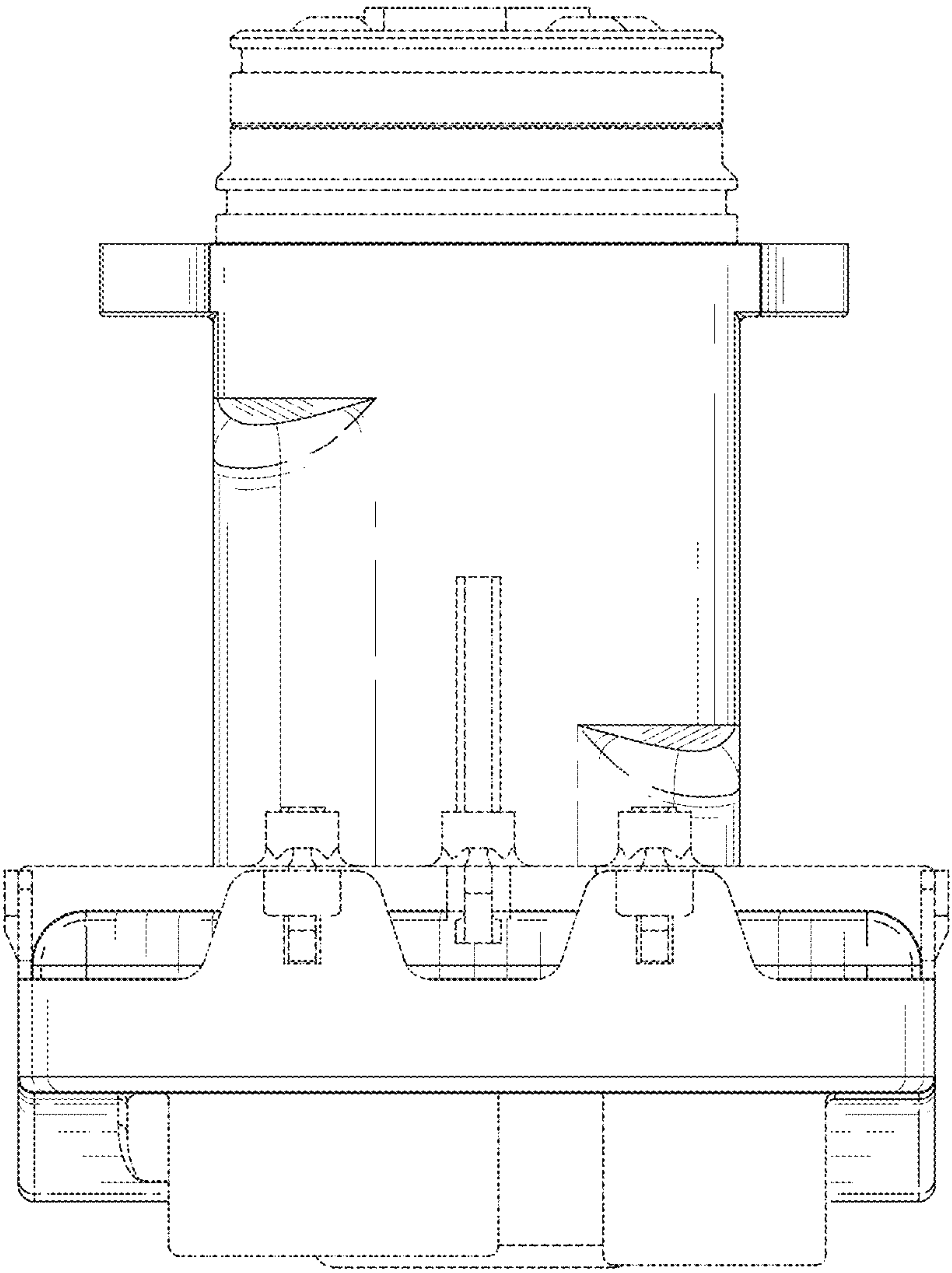


Fig-4

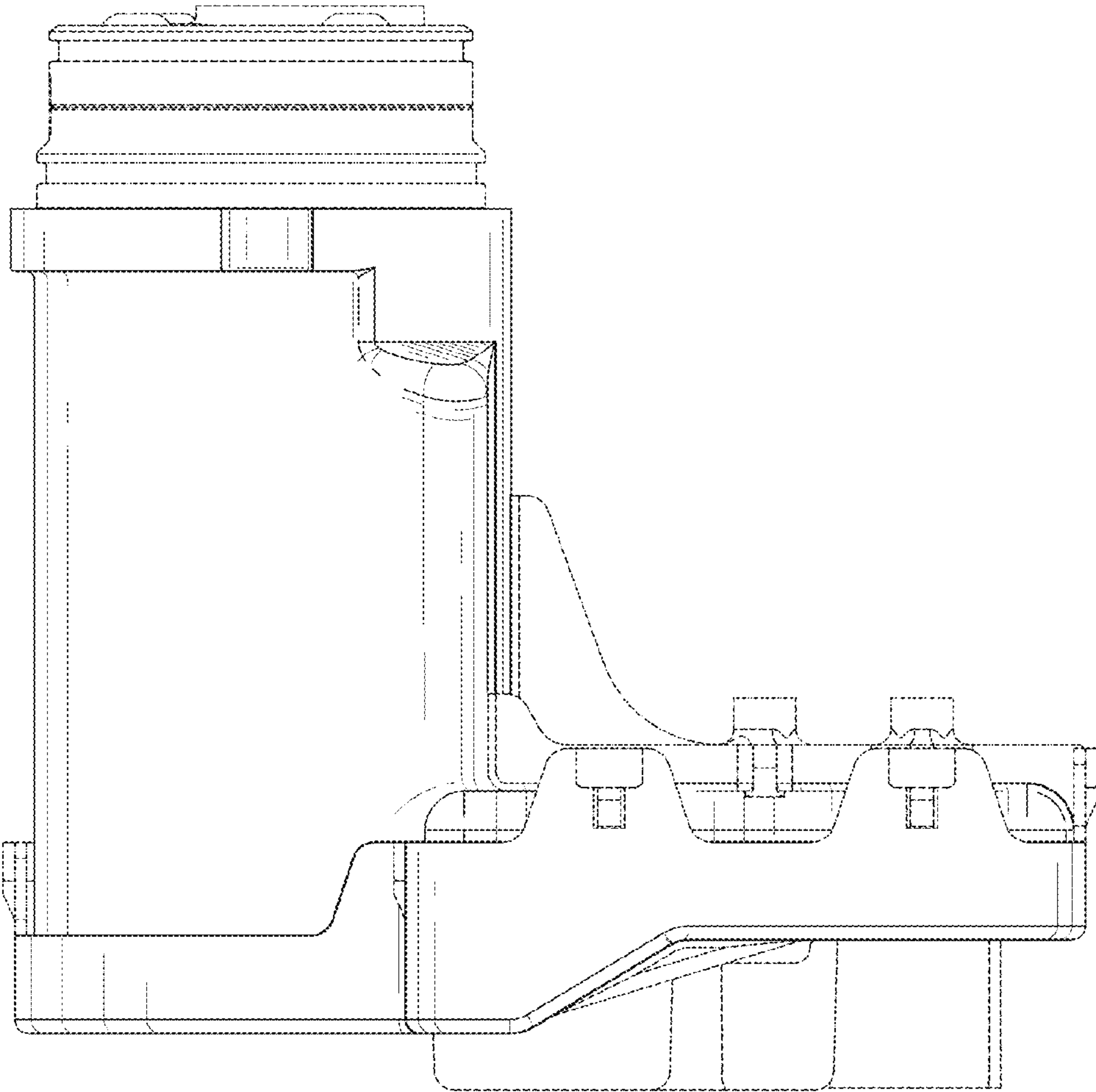


Fig-5

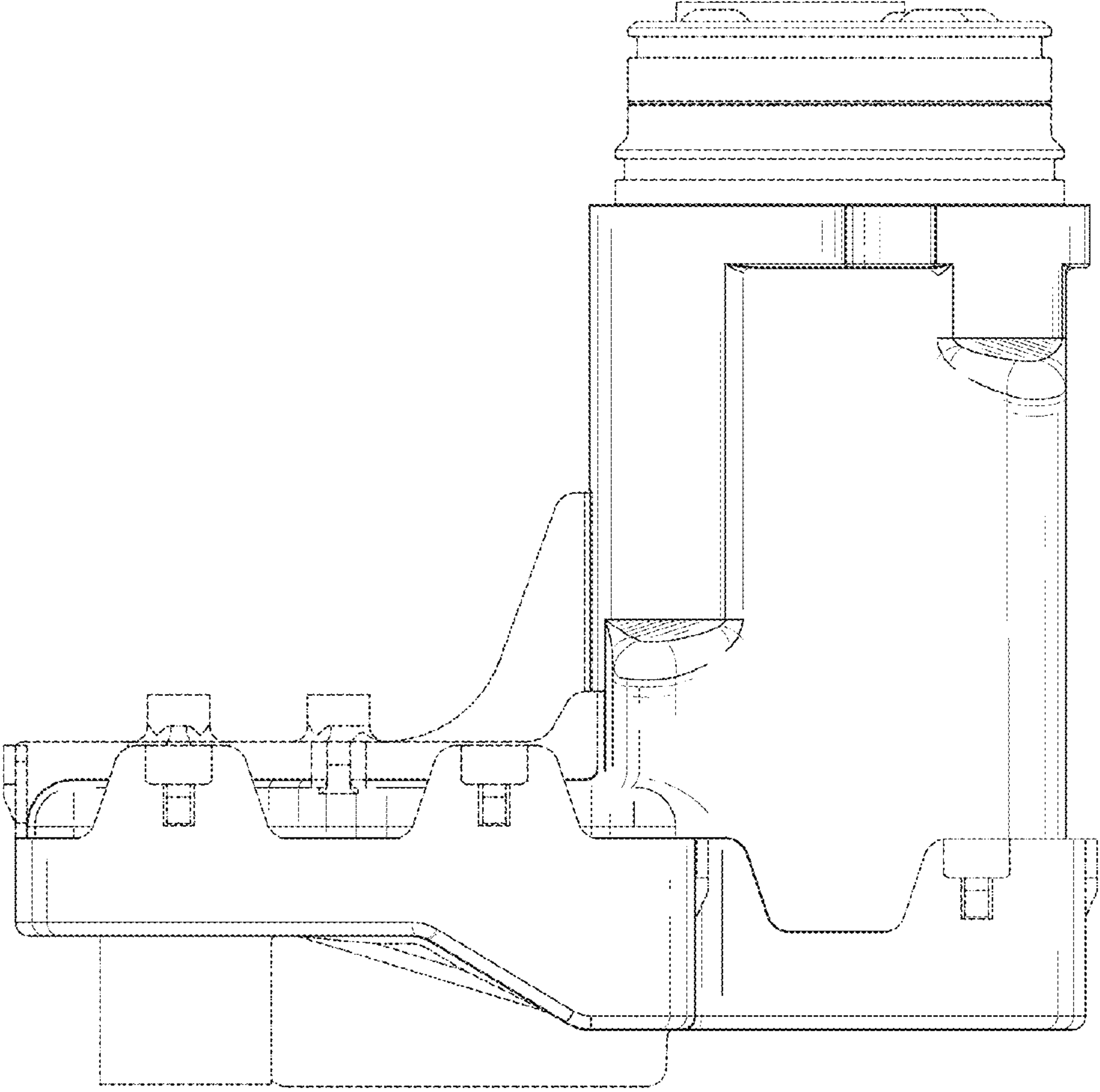


Fig-6



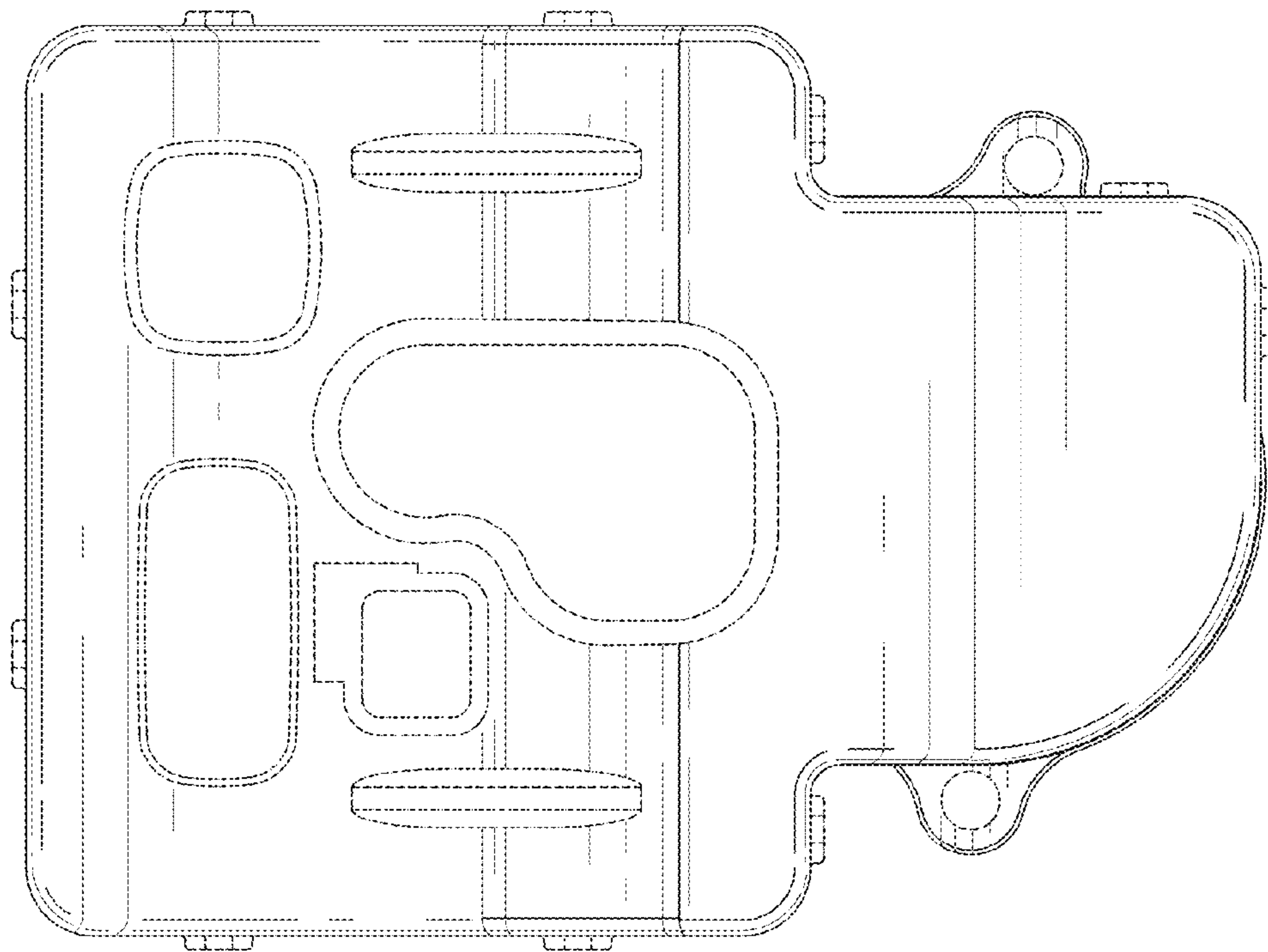


Fig-7

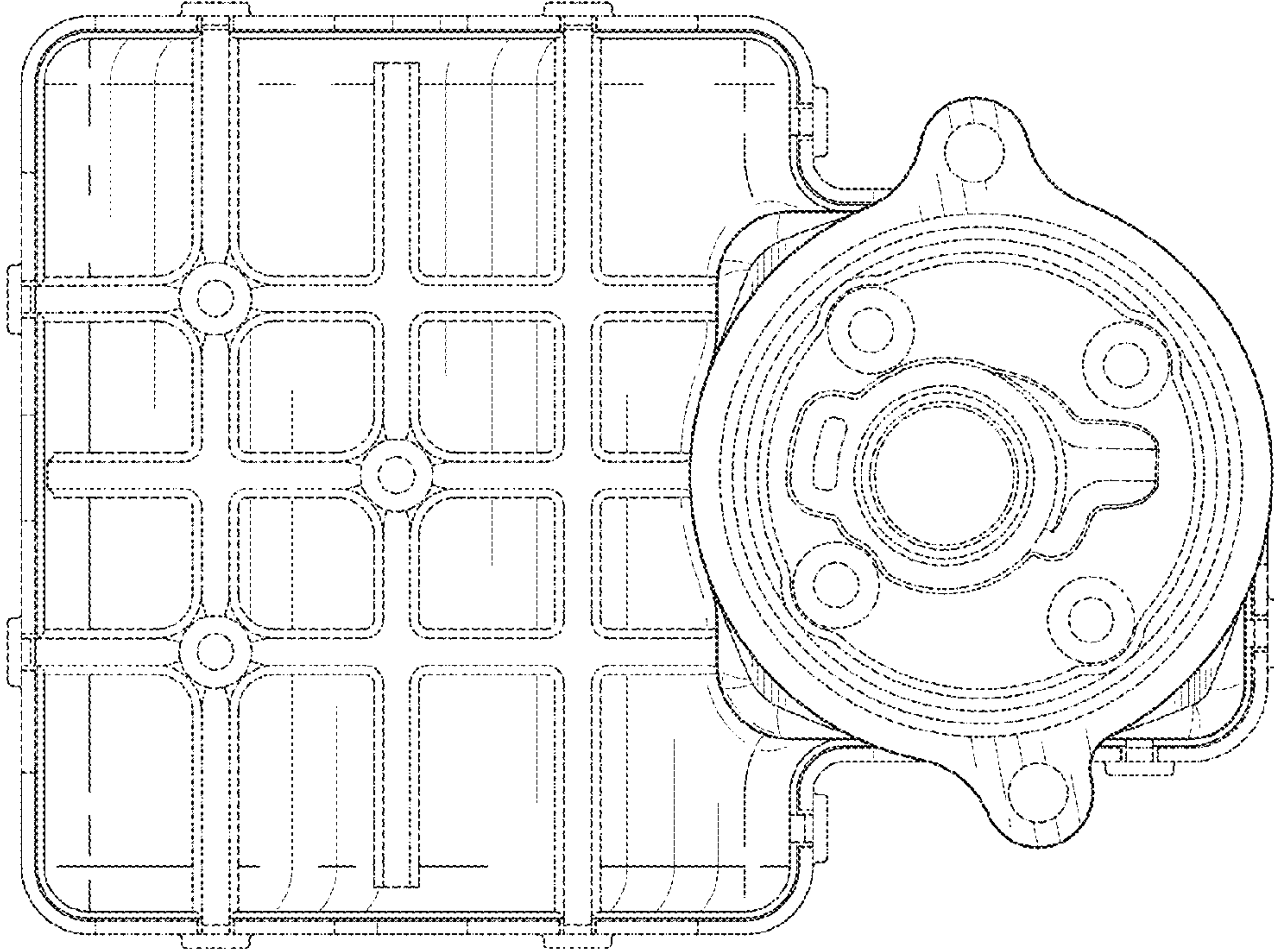


Fig-8