



US00D749655S

(12) **United States Design Patent**
Keckstein et al.

(10) **Patent No.:** **US D749,655 S**

(45) **Date of Patent:** **** Feb. 16, 2016**

- (54) **CHUCK GUARD FOR A LATHE**
- (71) Applicants: **Tomas Keckstein**, Tlustice (CZ);
Martin Hynek, Plzen (CZ); **Miroslav Grach**, Plzen (CZ); **Eduard Muller**, Most (CZ); **Jakub Jirasko**, Plzen (CZ)
- (72) Inventors: **Tomas Keckstein**, Tlustice (CZ);
Martin Hynek, Plzen (CZ); **Miroslav Grach**, Plzen (CZ); **Eduard Muller**, Most (CZ); **Jakub Jirasko**, Plzen (CZ)
- (73) Assignee: **ZAPADOCESKA UNIVERZITA V PLZNI**, Plzen (CZ)
- (**) Term: **14 Years**
- (21) Appl. No.: **29/512,280**
- (22) Filed: **Dec. 18, 2014**
- (51) **LOC (10) Cl.** **15-09**
- (52) **U.S. Cl.**
USPC **D15/130**
- (58) **Field of Classification Search**
USPC D15/122, 127, 128, 129, 130
See application file for complete search history.

- 4,771,662 A * 9/1988 Eichenhofer B23B 9/08
82/129
- 5,008,828 A * 4/1991 Pinard G05B 19/40932
700/160
- 5,025,690 A * 6/1991 Myers B23Q 1/015
82/121
- 5,127,140 A * 7/1992 Oiwa B23B 3/167
29/27 C
- 5,187,958 A * 2/1993 Prunotto B21D 5/002
72/16.2
- 5,239,901 A * 8/1993 Lin B23Q 39/04
29/27 C
- 5,367,754 A * 11/1994 Sheehan B23B 3/161
29/27 C
- 5,392,501 A * 2/1995 Sonnek B23B 3/164
29/27 C
- D368,917 S * 4/1996 Isshiki D15/130
- D399,221 S * 10/1998 Schwartz D15/130
- 6,140,606 A * 10/2000 Heikilla B23K 26/04
219/121.6
- D437,332 S * 2/2001 Remue D15/127
- 6,232,736 B1 * 5/2001 Bullen B23Q 1/012
156/433
- D445,807 S * 7/2001 Baulk D15/127
- 6,315,449 B1 * 11/2001 Mueller B23Q 1/262
384/10
- 6,393,713 B1 * 5/2002 French B23B 25/06
33/520
- 6,745,654 B2 * 6/2004 Baumann B23Q 39/02
82/120

(56) **References Cited**

U.S. PATENT DOCUMENTS

- D177,351 S * 4/1956 Siekmann et al. D15/130
- D178,431 S * 7/1956 Siekmann et al. D15/130
- D191,803 S * 11/1961 Curtis D15/130
- D192,263 S * 2/1962 Gurchow 29/DIG. 101
- 3,768,527 A * 10/1973 Messick B23Q 35/102
142/38
- 3,785,227 A * 1/1974 Wolff B23Q 1/01
82/117
- D241,160 S * 8/1976 Tempe et al. D15/122
- D252,575 S * 8/1979 Simmons D15/130
- D265,319 S * 7/1982 Watanabe D15/130
- 4,462,442 A * 7/1984 Pointner B27L 5/025
144/209.1
- 4,543,021 A * 9/1985 Adler B23Q 11/08
144/251.1
- D289,656 S * 5/1987 Stevens D15/130
- 4,741,232 A * 5/1988 Myers B23Q 1/015
29/27 C

(Continued)

Primary Examiner — Patricia Palasik

(57)

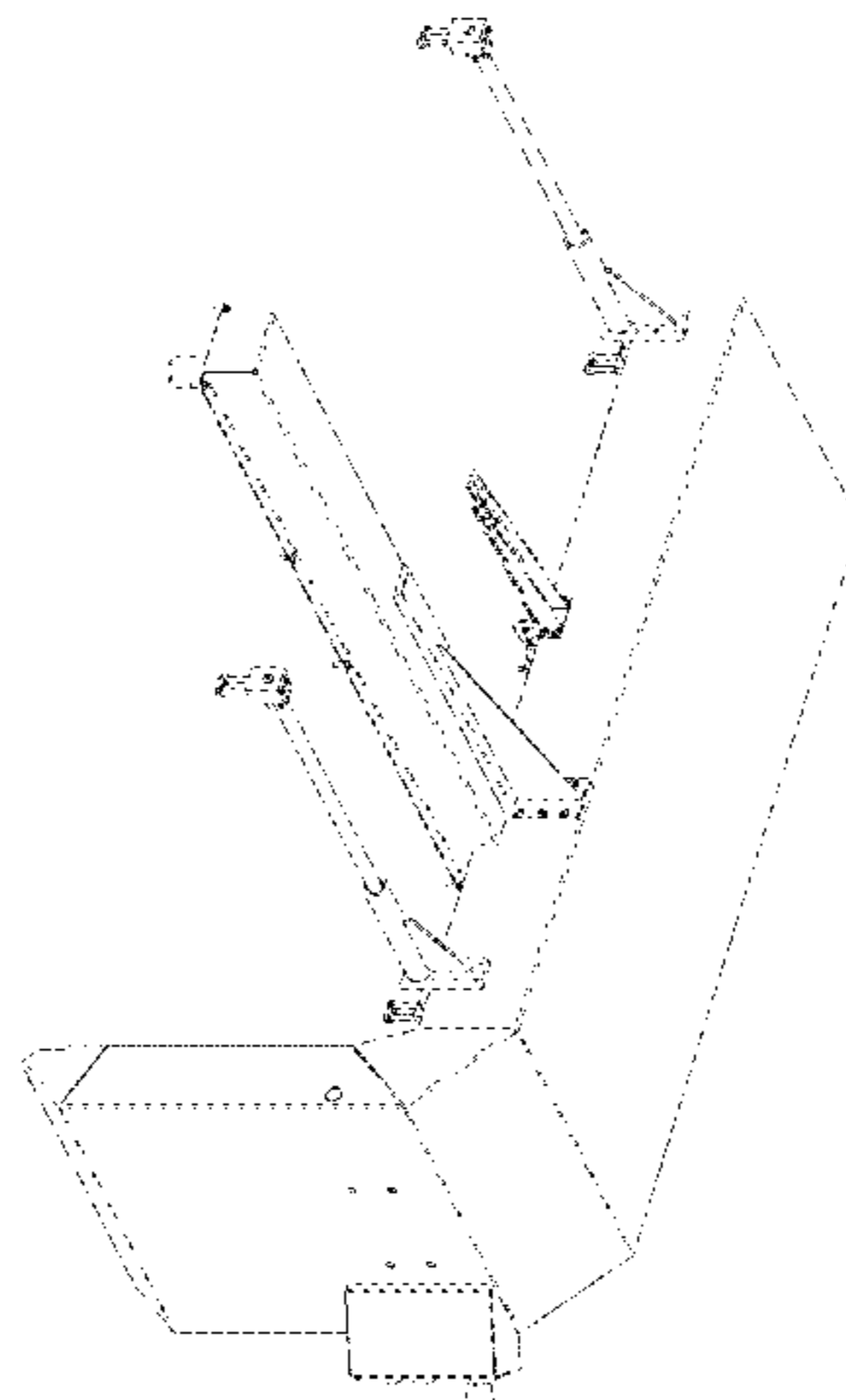
CLAIM

The ornamental design for a chuck guard for a lathe, as shown and described.

DESCRIPTION

FIG. 1 is a perspective front view of a chuck guard for a lathe showing my new design;
FIG. 2 is a perspective bottom view thereof;
FIG. 3 is a front elevational view thereof;
FIG. 4 is a bottom plan view thereof; and,
FIG. 5 is a right side elevational view thereof.

1 Claim, 5 Drawing Sheets



(56)

References Cited

U.S. PATENT DOCUMENTS

6,758,117 B2 *	7/2004	Baumann	B23Q 39/026	29/36	8,087,332 B2 *	1/2012	Grossmann	B23B 3/06	82/121
D496,947 S *	10/2004	Baulk	D15/130		8,371,195 B2 *	2/2013	Tsai	B23B 3/167	82/121
6,928,909 B1 *	8/2005	Akimoto	B23B 3/065	29/27 C	8,387,493 B2 *	3/2013	Monroe	B23Q 1/015	29/26 A
7,062,999 B2 *	6/2006	Hayashi	B23B 3/06	82/122	8,459,156 B2 *	6/2013	Pu	B23B 23/00	82/129
7,395,743 B2 *	7/2008	Kato	B23Q 5/341	82/146	8,720,025 B2 *	5/2014	Momoi	B23B 23/00	82/129
7,437,816 B1 *	10/2008	Kuo	B23Q 8/1015	29/27 C	D711,948 S *	8/2014	Son	D15/199	
7,506,423 B2 *	3/2009	Iwabuchi	B23B 3/065	29/27 C	8,881,626 B2 *	11/2014	Yang	B23B 5/00	82/122
7,987,567 B2 *	8/2011	Yasuda	B23B 3/065	29/27 C	D727,379 S *	4/2015	Mueller	D15/122	
						2011/0132164 A1 *	6/2011	Barandiaran			
								Echeguia	B21D 28/20	83/145

* cited by examiner

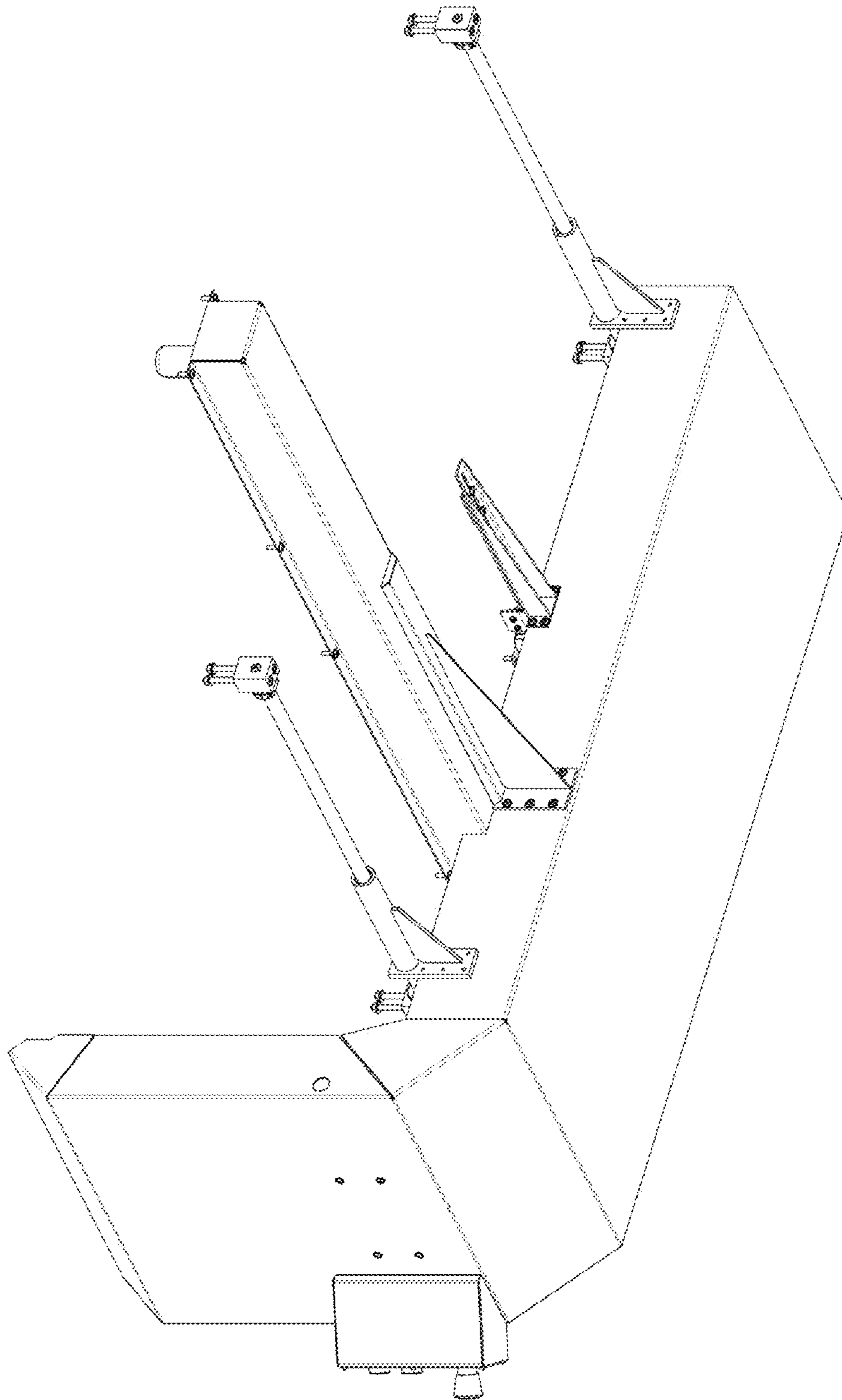


FIGURE 1

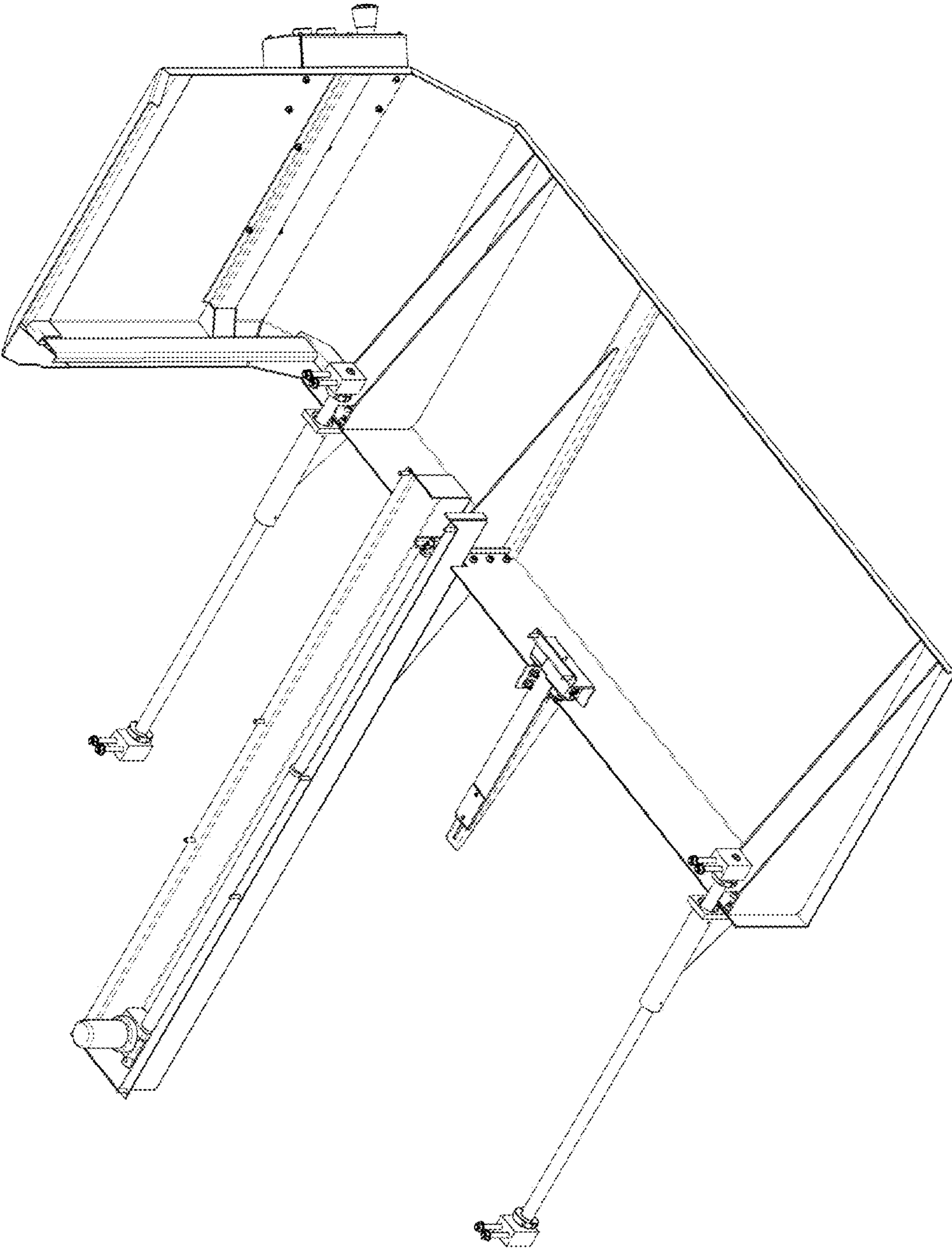


FIGURE 2

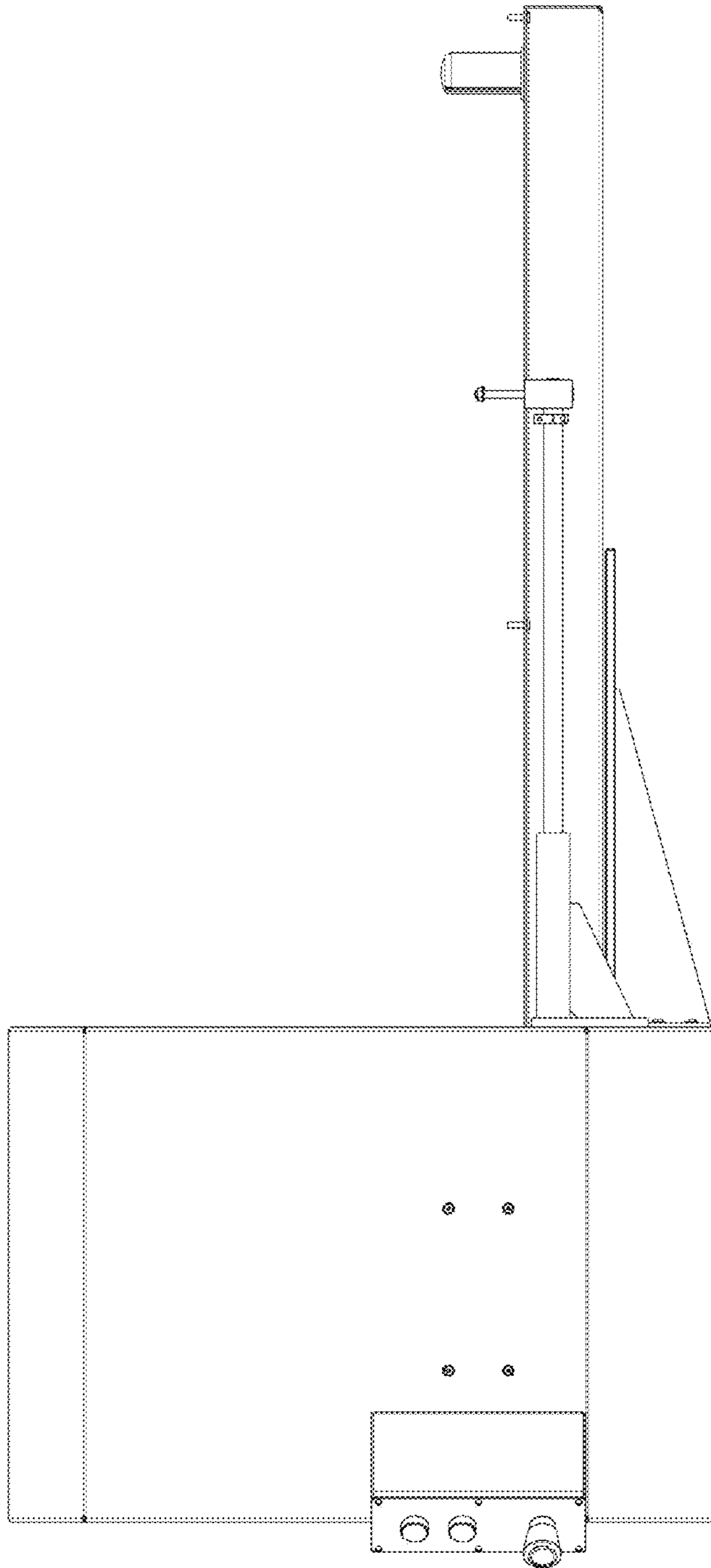


FIGURE 3

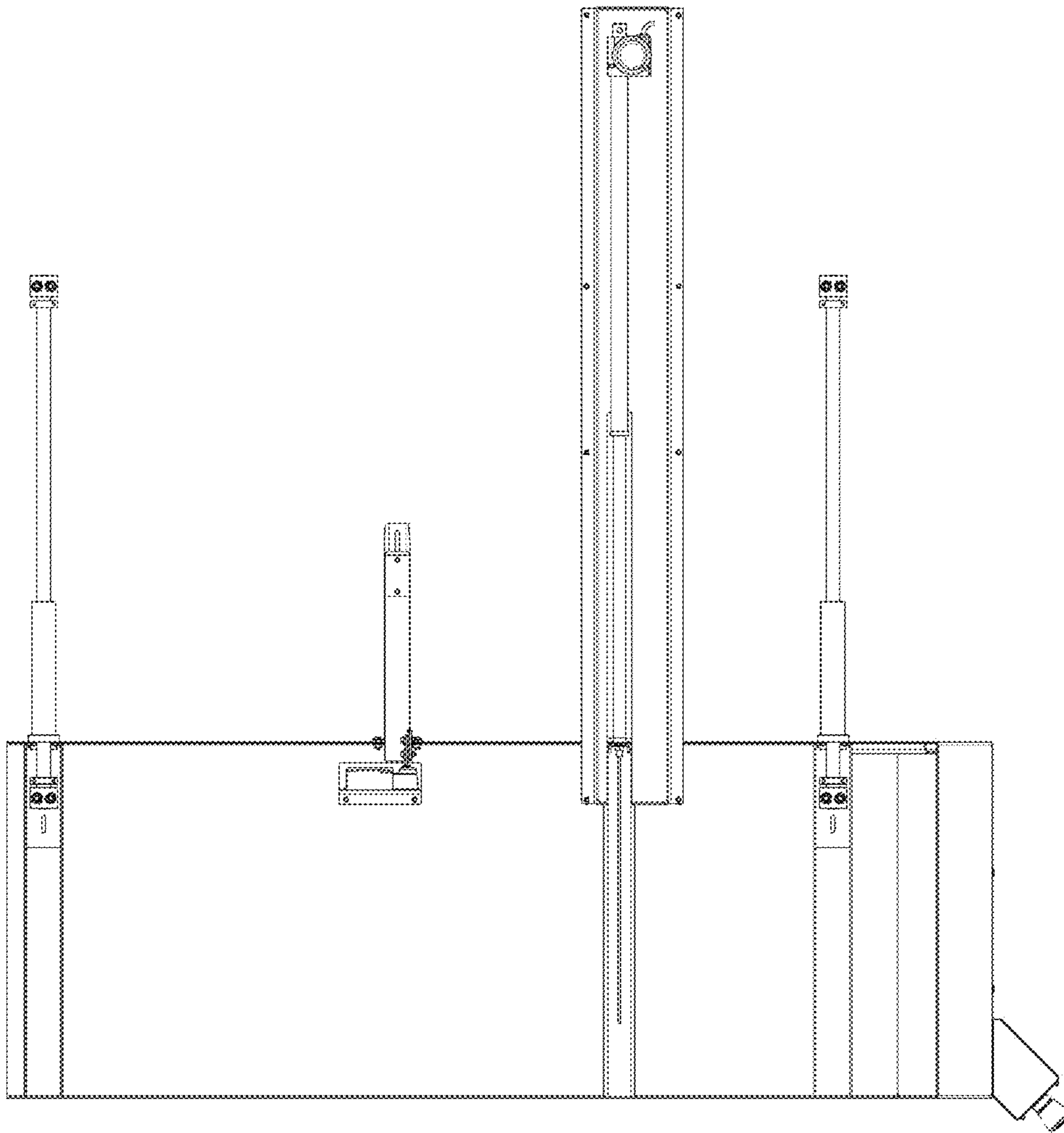


FIGURE 4

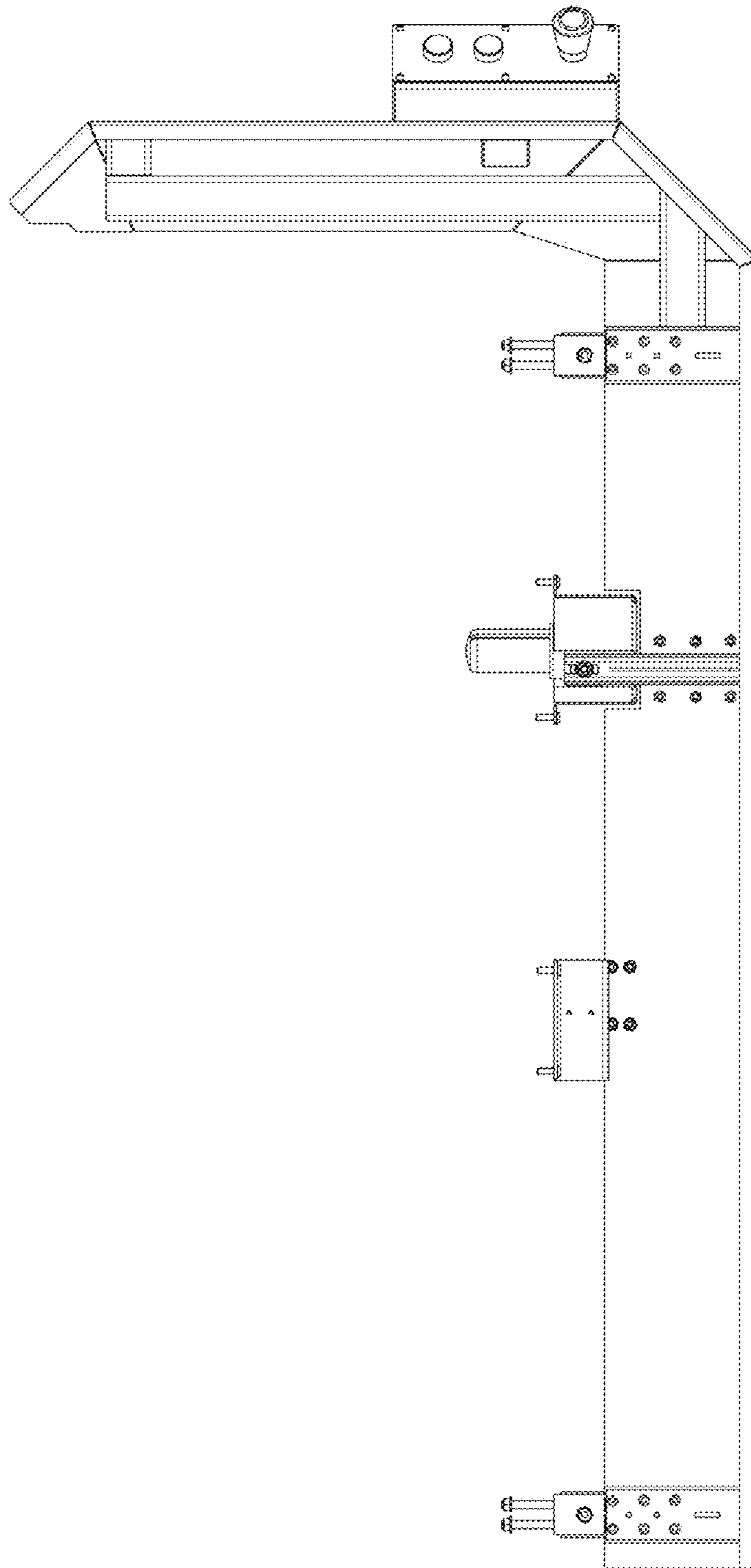


FIGURE 5