



US00D749654S

(12) **United States Design Patent**  
**Lee et al.**

(10) **Patent No.:** **US D749,654 S**  
(45) **Date of Patent:** **\*\* Feb. 16, 2016**

(54) **DIVIDER FOR REFRIGERATOR GUARD**

(56) **References Cited**

(71) Applicant: **Samsung Electronics Co., Ltd.**,  
Suwon-si (KR)  
(72) Inventors: **Jun Kyo Lee**, Seongnam-si (KR); **Hyun Il Lee**, Seoul (KR); **Jang Won Kim**,  
Seoul (KR); **Sangwoon Jeon**,  
Namyangju-si (KR)

U.S. PATENT DOCUMENTS

8,627,965 B2 \* 1/2014 Hardy ..... A47F 1/126  
211/184  
D719,194 S \* 12/2014 Lee ..... D15/89  
D731,562 S \* 6/2015 You ..... D15/89  
2007/0029270 A1 \* 2/2007 Hawkinson ..... A47F 1/126  
211/59.3  
2014/0263134 A1 \* 9/2014 Walker ..... A47F 5/005  
211/184

(73) Assignee: **Samsung Electronics Co., Ltd.**,  
Suwon-si (KR)

\* cited by examiner

(\*\*) Term: **14 Years**

*Primary Examiner* — Mark Goodwin

(21) Appl. No.: **29/509,447**

(74) *Attorney, Agent, or Firm* — NSIP Law

(22) Filed: **Nov. 18, 2014**

(57) **CLAIM**

We claim the ornamental design for a divider for refrigerator guard, as shown and described.

(30) **Foreign Application Priority Data**

**DESCRIPTION**

May 22, 2014 (KR) ..... 30-2014-0025349

(51) **LOC (10) Cl.** ..... **15-07**

(52) **U.S. Cl.**  
USPC ..... **D15/89**

(58) **Field of Classification Search**  
USPC ..... D15/79-91  
CPC ..... F25D 17/042; F25D 11/00; F25D 25/025;  
F25D 25/02; F25D 25/024; F25D 2323/021;  
F25D 2323/024; F25D 2323/02; F25D 29/00;  
F25D 29/005; F25D 27/005; D25D 2325/021;  
D25D 2325/024; D25D 23/028; D25D 23/02;  
D25D 23/00; D25D 23/04; D25D 23/12

See application file for complete search history.

FIG. 1 is a front perspective view of a divider for refrigerator guard showing our new design;  
FIG. 2 is a front view thereof;  
FIG. 3 is a rear view thereof;  
FIG. 4 is a left-side view thereof;  
FIG. 5 is a right-side view thereof;  
FIG. 6 is a top view thereof;  
FIG. 7 is a bottom view thereof; and,  
FIG. 8 is another front perspective view, in which a refrigerator guard in broken lines is provided to illustrate an example environment.

The broken line showing of the refrigerator guard in FIG. 8 is for environmental purposes only and forms no part of the claimed design.

**1 Claim, 8 Drawing Sheets**

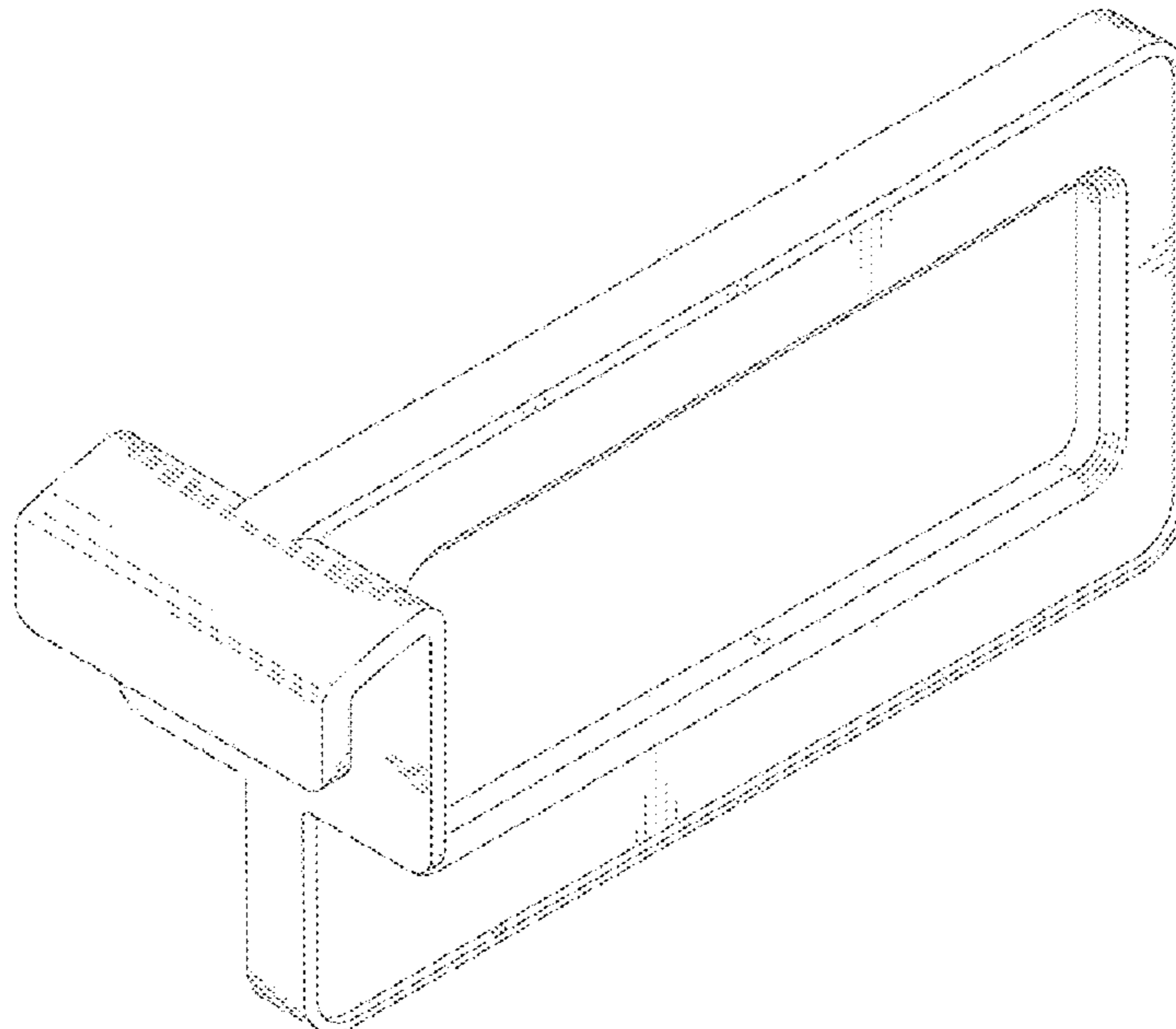
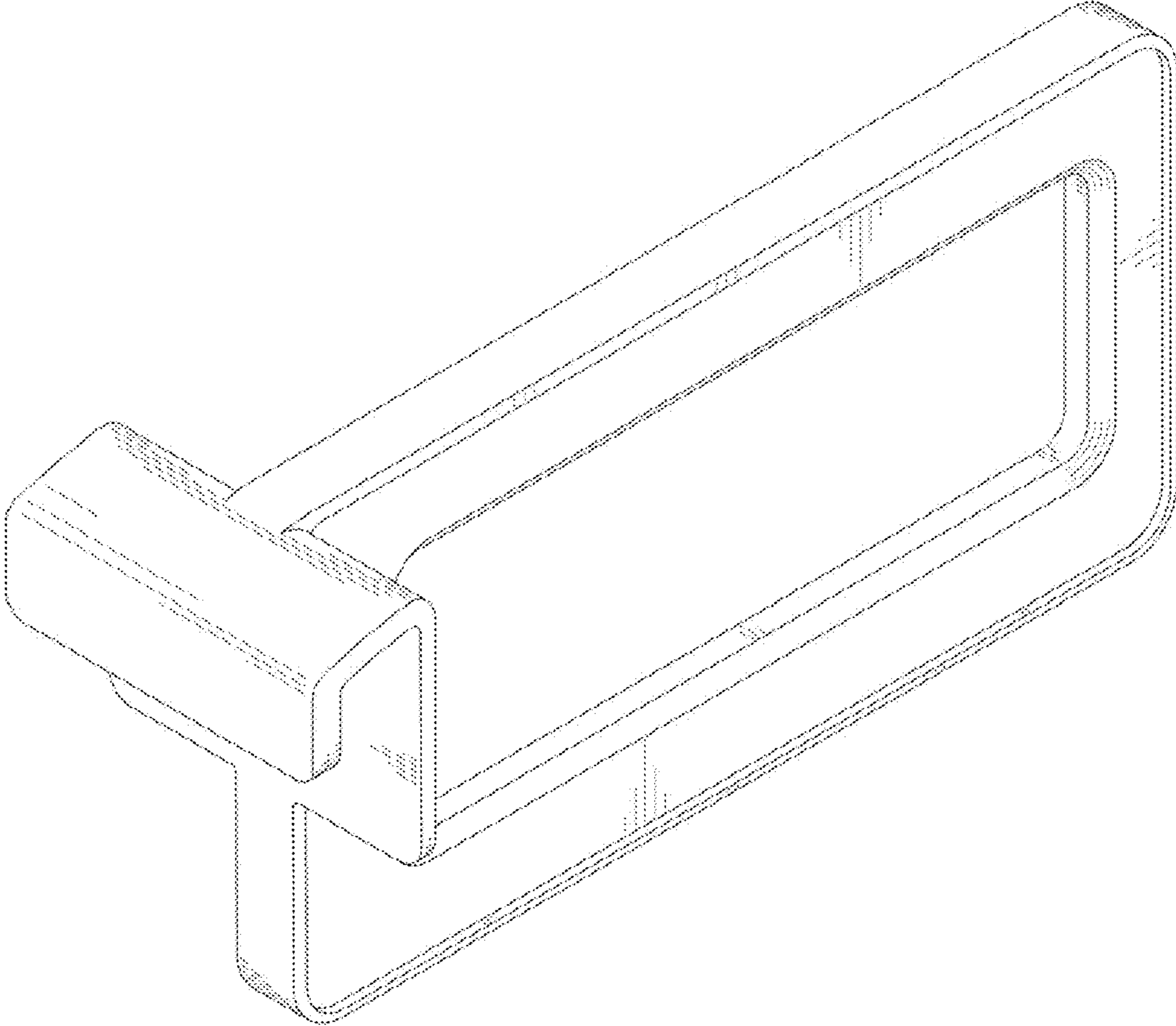
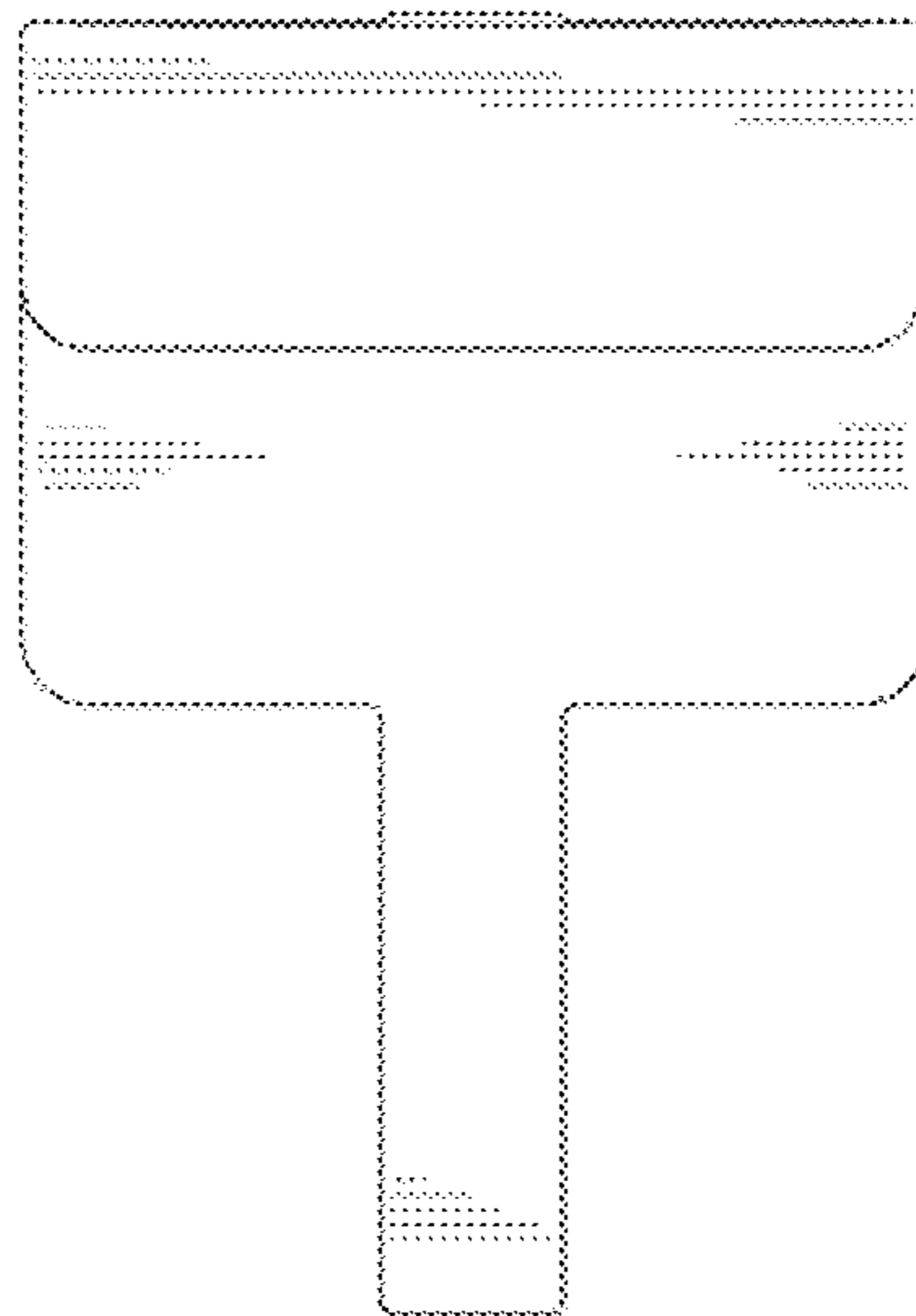


Fig. 1



**Fig. 2**



**Fig. 3**

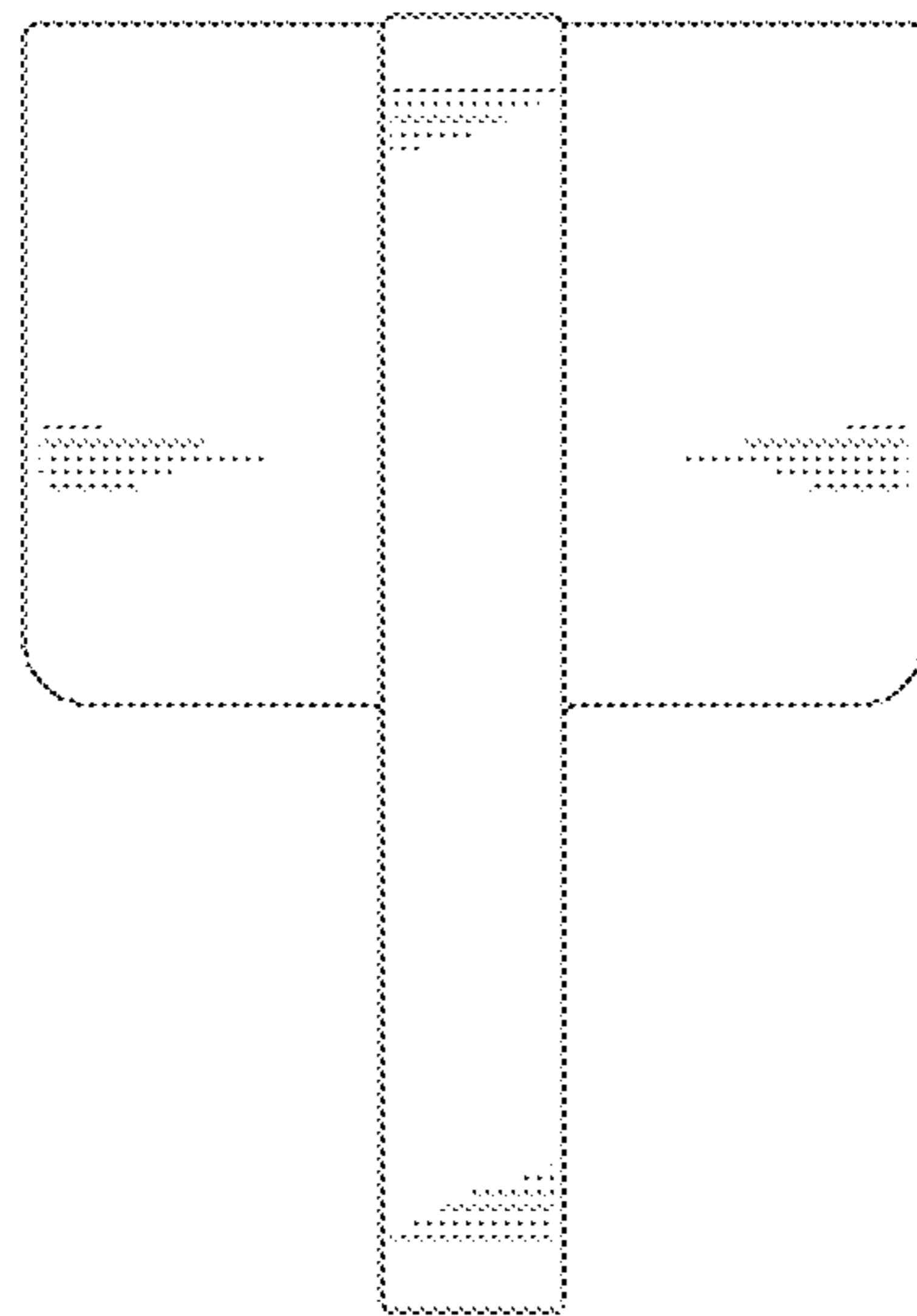
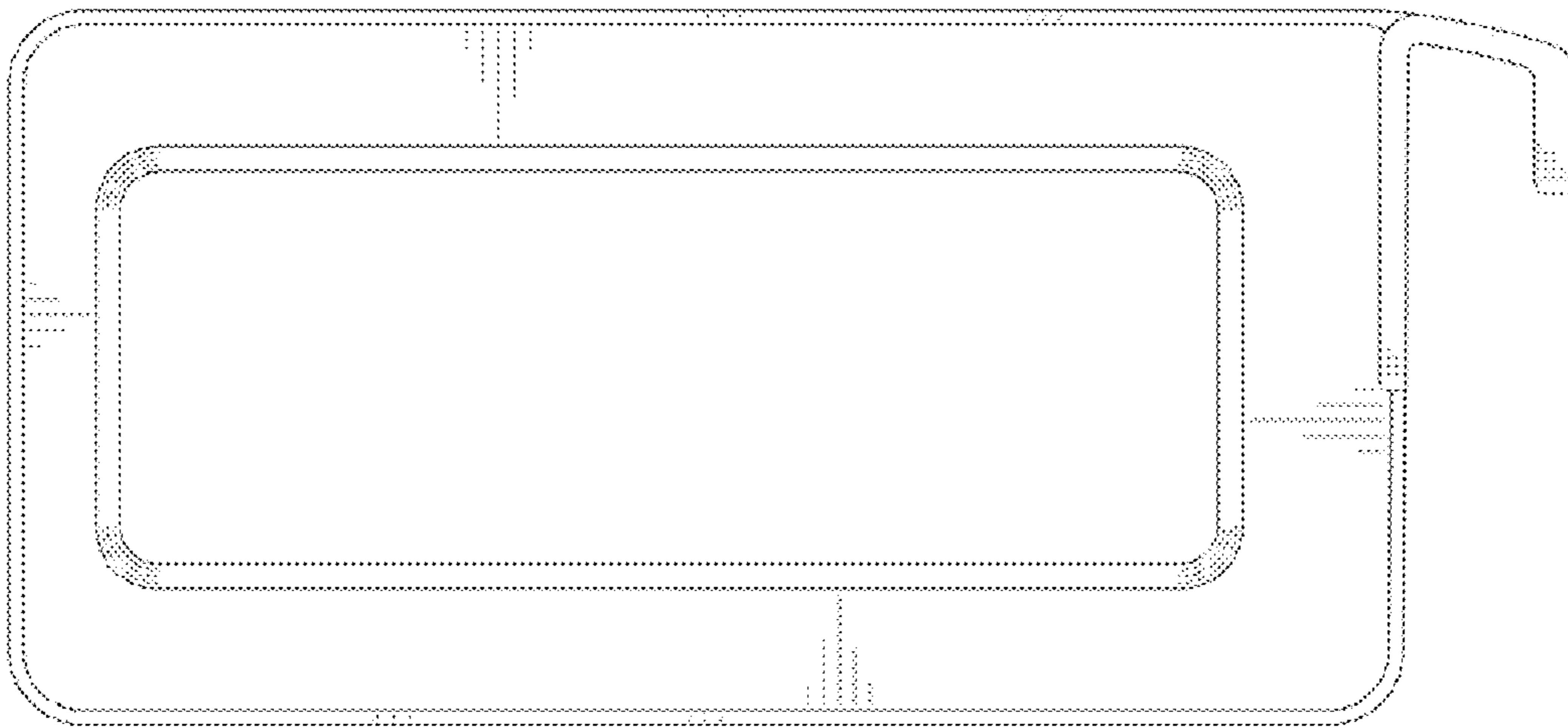


Fig. 4



**Fig. 5**



**Fig. 6**

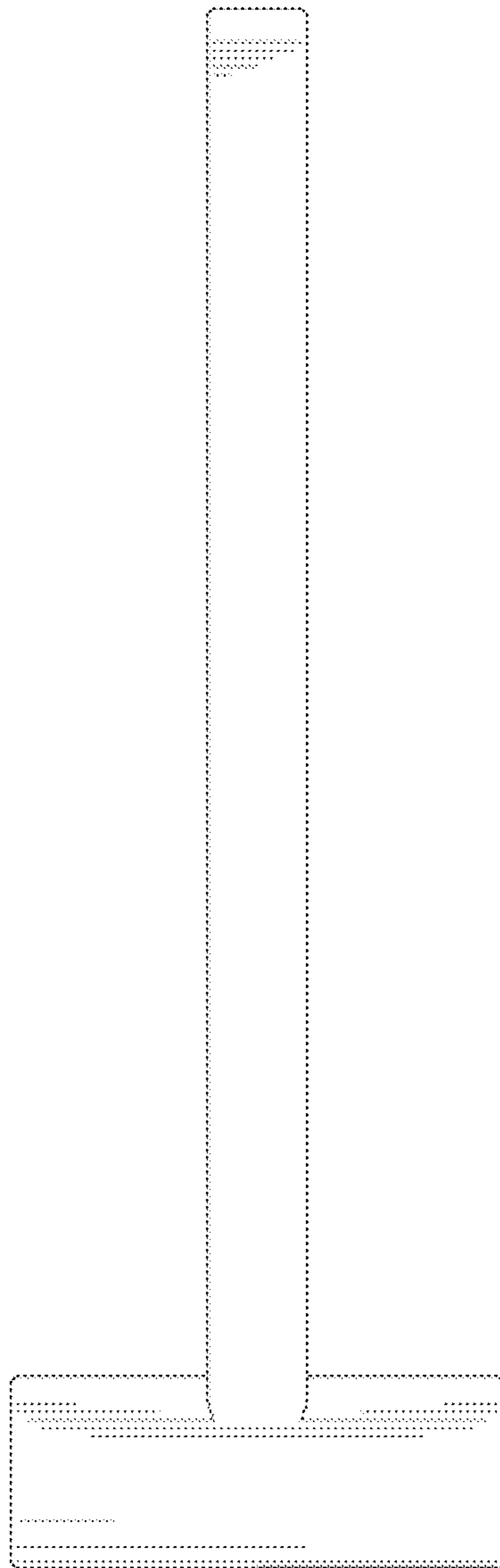


Fig. 7

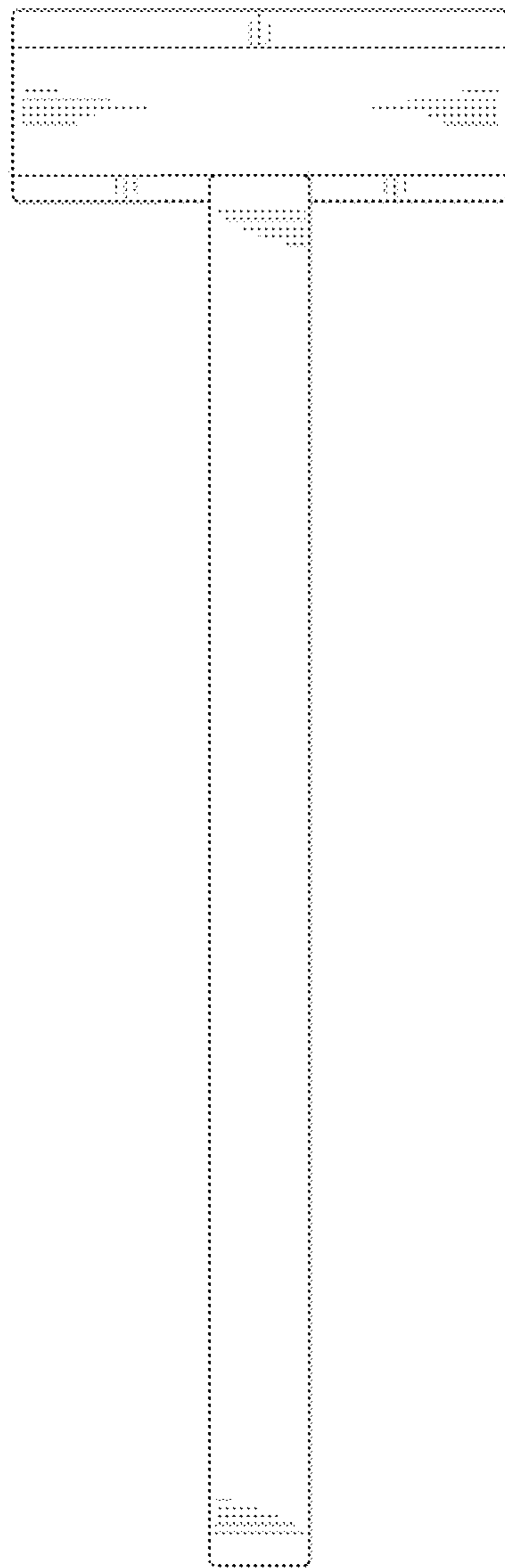




Fig. 8

